

FCQ**AAVJU SkyAir Cassette

BYCQ54EEFU
BYCQ54EEGFU
FCQ18AAVJU
FCQ24AAVJU
FCQ30AAVJU
FCQ36AAVJU
FCQ42AAVJU
FCQ48AAVJU



This manual is to be used by qualified technicians only.

Important Information

Index

Functional Parts List	3
Illustration and Parts	4 - 13

Views shown are for parts illustrations only, not servicing procedures.

Text Codes:

AR - As Required

NA - Not Available

NS - Not Shown

00000000 - See Note

QTY - Quantity Example (QTY 3) (If Quantity not shown, Quantity = 1)

M - Model Example (M1) (If M Code not shown, then part is used on all Models)

Expanded Model Nomenclature:

Example
M1 - Model#1
M2 - Model#2
M3 - Model#3

Daikin Comfort Technologies Manufacturing , L.P. is not responsible for personal injury or property damage resulting from improper service. Review all service information before beginning repairs.

Warranty service must be performed by an authorized technician, using authorized factory parts. If service is required after the warranty expires, Daikin Comfort Technologies Manufacturing , L.P. also recommends contacting an authorized technician and using authorized factory parts.

Daikin Comfort Technologies Manufacturing , L.P. reserves the right to discontinue, or change at any time, specifications or designs without notice or without incurring obligations.

For assistance within the U.S.A. contact:
Homeowner Support
Daikin Comfort Technologies Manufacturing , L.P.
19001 Kermier Road
Waller, Texas 77484
855-770-5678-Telephone
713-863-2382-Facsimile

For assistance outside the U.S.A. contact:
International Division
Daikin Comfort Technologies Manufacturing , L.P.
19001 Kermier Road
Waller, Texas 77484
713-861-2500-Telephone
713-863-2382-Facsimile

Functional Parts

Part

No: Description:

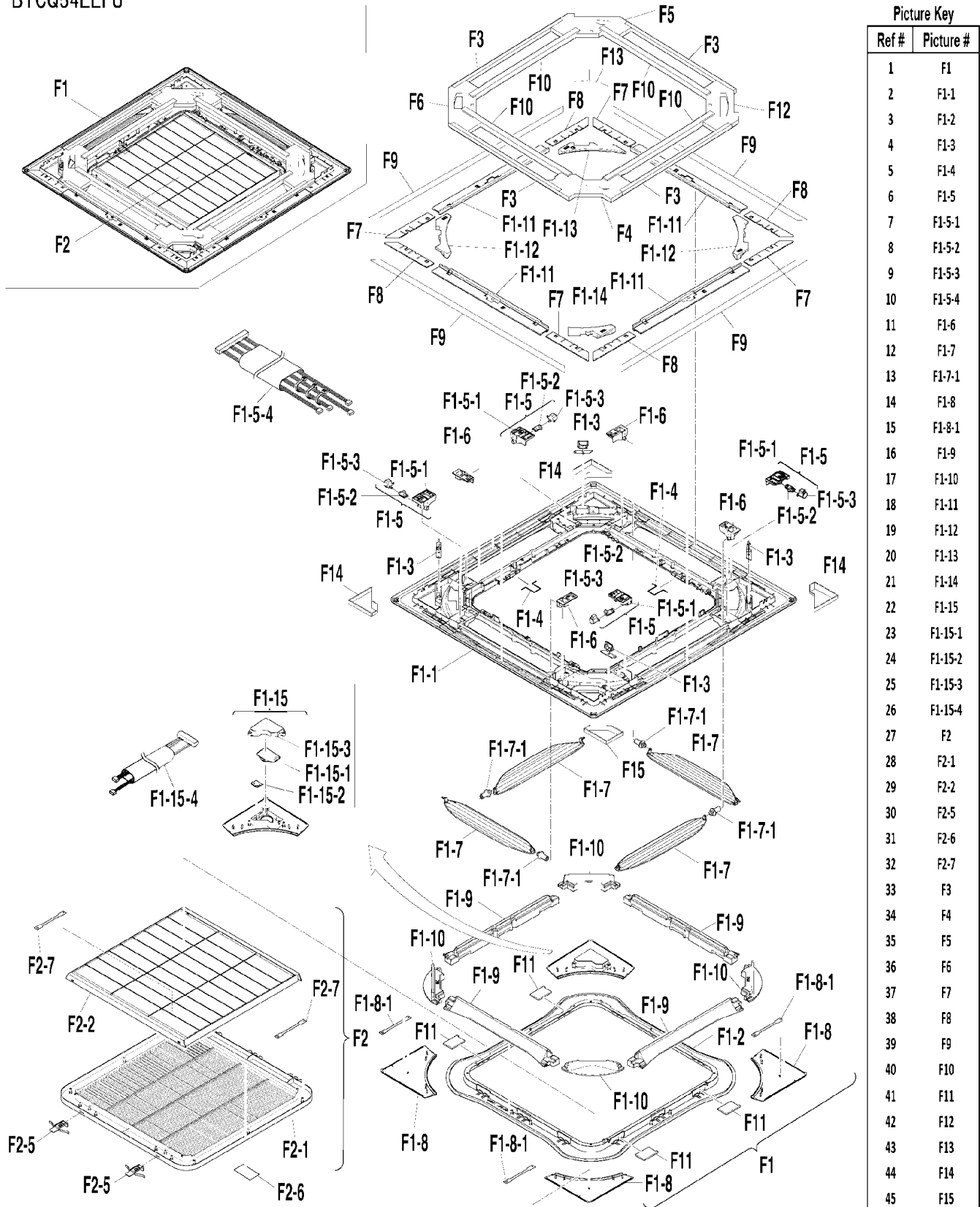
2110080	BODY/ ELECTRONIC EXP. VALVE (M3, M4)
2110097	BODY/ ELECTRONIC EXP. VALVE (M5)
2110112	BODY/ ELECTRONIC EXP. VALVE (M6, M7, M8)
2319678	COIL/ ELECTRONIC EXP. VALVE ASSY. (M3, M4, M5, M6, M7, M8)
2314279	MOTOR (DRAIN PUMP) (M3, M4, M5, M6, M7, M8)
2395557	MOTOR (INDOOR FAN) (M5, M6, M7, M8)
2395324	MOTOR (INDOOR FAN) (M3, M4)
2014500	PRINTED CIRCUIT (GROUND TEMP. SENSOR) (M1, M2)
2311674	PRINTED CIRCUIT BOARD ASSY.
2311706	PRINTED CIRCUIT BOARD ASSY. (M2)
2548891	PRINTED CIRCUIT BOARD ASSY. (CONTROL) (M3, M4)
2548893	PRINTED CIRCUIT BOARD ASSY. (CONTROL) (M5, M6, M7, M8)
2298238	PYROELECTRIC SENSOR (M1, M2)
2311698	SENSOR ASSY.
151065J	STEPPING MOTOR (M1, M2)
2029418	STEPPING MOTOR
130779J	STEPPING MOTOR
1797578	SWING MOTOR
2319274	THERMISTOR (AIR) (M3, M4, M5, M6, M7, M8)
2319065	THERMISTOR (COIL) (M3, M4, M5, M6, M7, M8)

Expanded Model Nomenclature

M1 - BYCQ54EEFU
M2 - BYCQ54EEGFU
M3 - FCQ18AAVJU
M4 - FCQ24AAVJU
M5 - FCQ30AAVJU
M6 - FCQ36AAVJU
M7 - FCQ42AAVJU
M8 - FCQ48AAVJU

BYCQ54EEFU

BYCQ54EEFU



Picture Key

Ref #	Picture #
1	F1
2	F1-1
3	F1-2
4	F1-3
5	F1-4
6	F1-5
7	F1-5-1
8	F1-5-2
9	F1-5-3
10	F1-5-4
11	F1-6
12	F1-7
13	F1-7-1
14	F1-8
15	F1-8-1
16	F1-9
17	F1-10
18	F1-11
19	F1-12
20	F1-13
21	F1-14
22	F1-15
23	F1-15-1
24	F1-15-2
25	F1-15-3
26	F1-15-4
27	F2
28	F2-1
29	F2-2
30	F2-3
31	F2-4
32	F2-5
33	F2-6
34	F2-7
35	F3
36	F4
37	F5
38	F6
39	F7
40	F8
41	F9
42	F10
43	F11
44	F12
45	F13

BYCQ54EEFU

**Ref. Part
No: No:**

Description:

**Ref. Part
No: No:**

Description:

Image 1:

1	NA	DECORATIVEPANEL ASSY. (M1)
2	2314882	DECORATIVEPANEL ASSY. (M1)
3	2314899	AIR OUTLET INSIDE FRAME ASSY. (M1)
4	1846470	PANEL LIFTING LUG ASSY. (M1)
5	153594J	TEMPORALLY HANGING LUG (M1)
6	NA	WIRE HARNESS ASSY. (M1)
7	2314921	BEARING ASSY. (M1)
8	2014447	SHAFT COUPLING (M1)
9	151065J	STEPPING MOTOR (M1)
10	2313517	WIRE HARNESS ASSY. (M1)
11	2314952	BEARING ASSY. (M1)
12	2314907	HORIZONTALVANE ASSY. (M1)
13	2014423	SHAFT (HOR. BLADE) (M1)
14	2014461	CORNER COVER (M1)
15	066404J	PROTECTION BAND (FOR CORNER) (M1)
16	2313687	THERMAL INSULATION ASSY. (M1)
17	2313719	THERMAL INSULATION ASSY. (M1)
18	2313740	THERMAL INSULATION (OUTSIDE) (M1)
19	1884946	THERMAL INSULATION (CORNER 1) (M1)
20	2014586	THERMAL INSULATION (CORNER 2) (M1)
21	1884960	THERMAL INSULATION (CORNER 3) (M1)
22	NA	CORNER COVER (SENSOR) ASSY. (M1)
23	2298238	PYROELECTRIC SENSOR (M1)
24	2014500	PRINTED CIRCUIT (GROUND TEMP. SENSOR) (M1)
25	2014517	COVER (SENSOR PCB) ASSY. (M1)
26	2311667	WIRE HARNESS ASSY. (M1)
27	2315296	AIR SUCTION GRILLE ASSY. (M1)
28	2017662	SUCTION GRILLE (M1)
29	1703821	FILTER ASSY. (M1)
30	1535787	GRILLE FIXTURE (M1)
31	1705478	BRAND NAME LABEL (M1)
32	2014795	PROTECTION BAND TO DROPPING (M1)
33	2313757	SEALING MATERIAL (M1)
34	2313764	SEALING MATERIAL (CORNER 1) (M1)
35	2313771	SEALING MATERIAL (CORNER 2) (M1)
36	2313788	SEALING MATERIAL (CORNER 3) (M1)
37	165334J	THERMAL INSULATION (FOR PANEL 1) (M1)
38	165335J	THERMAL INSULATION (FOR PANEL 2) (M1)
39	165336J	SEALING MATERIAL (FOR PANEL EDGE) (M1)
40	2313795	SEALING MATERIAL (M1)
41	2014834	CUSHION MATERIAL (M1)
42	2313803	SEALING MATERIAL (CORNER 4) (M1)
43	2014889	ANTISWEAT MATERIAL (CORNER4) (M1)
44	2014649	SEALING MATERIAL (BEARING MOUNT) (M1)
45	2014656	SEALING MATERIAL (BEARING MOUNT) (M1)

Expanded Model Nomenclature

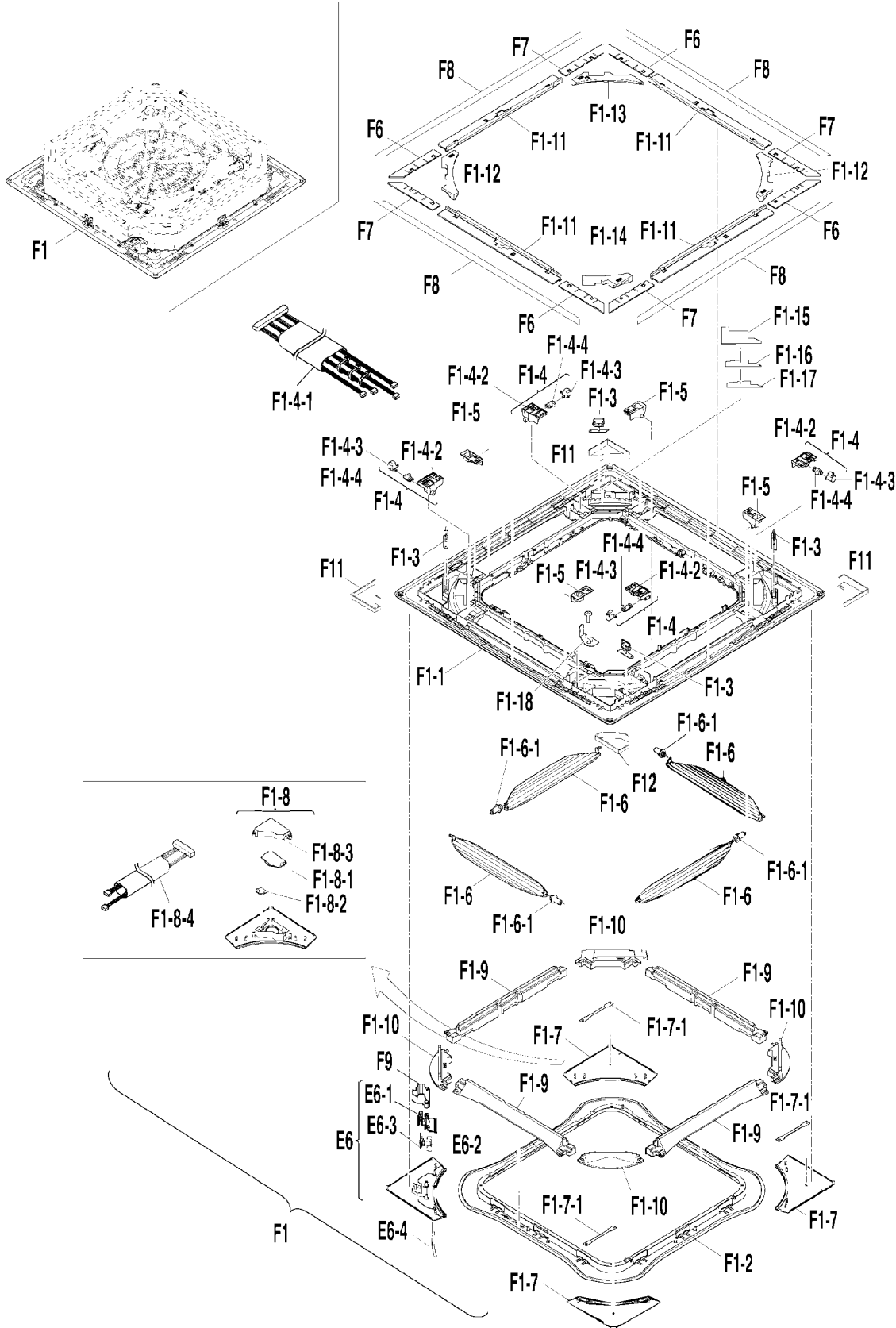
M1 - BYCQ54EEFU
M2 - BYCQ54EEGFU
M3 - FCQ18AAVJU
M4 - FCQ24AAVJU
M5 - FCQ30AAVJU
M6 - FCQ36AAVJU
M7 - FCQ42AAVJU
M8 - FCQ48AAVJU

BYCQ54EEGFU

BYCQ54EEGFU

Picture Key

Ref #	Picture #
1	E6
2	E6-1
3	E6-2
4	E6-3
5	E6-4
6	F1
7	F1-1
8	F1-2
9	F1-3
10	F1-4
11	F1-4-1
12	F1-4-2
13	F1-4-3
14	F1-4-4
15	F1-5
16	F1-6
17	F1-6-1
18	F1-7
19	F1-7-1
20	F1-8
21	F1-8-1
22	F1-8-2
23	F1-8-3
24	F1-8-4
25	F1-9
26	F1-10
27	F1-11
28	F1-12
29	F1-13
30	F1-14
31	F1-15
32	F1-16
33	F1-17
34	F1-18
35	F6
36	F7
37	F8
38	F9
39	F11
40	F12



BYCQ54EEGFU

Ref. Part No:	Part No:	Description:	Ref. Part No:	Part No:	Description:
---------------	----------	--------------	---------------	----------	--------------

Image 1:

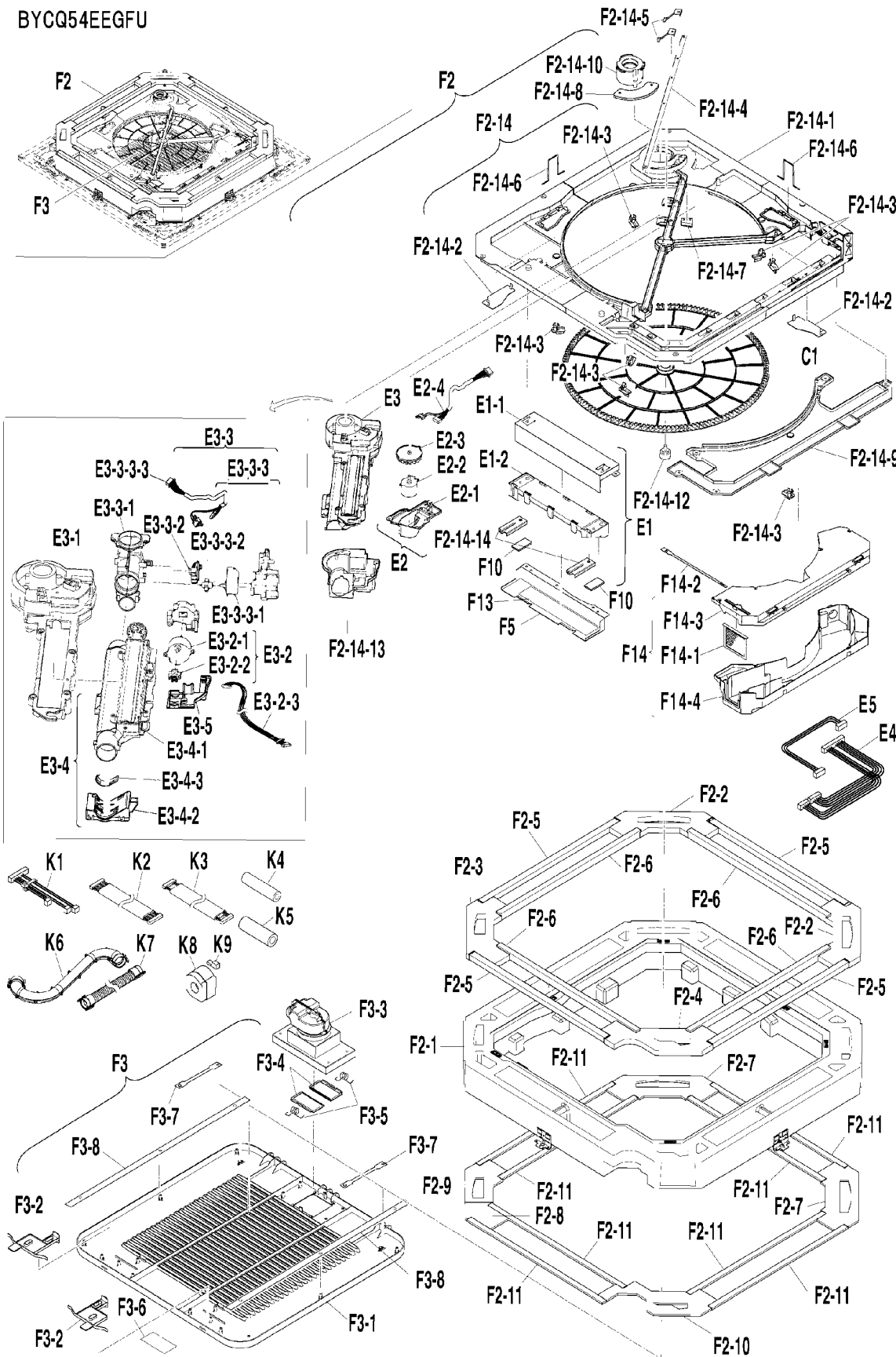
1	4005937	CORNER COVER ASSY. (M2)
2	1884357	LIGHT LENS (M2)
3	1884364	LED SPACER (M2)
4	2311706	PRINTED CIRCUIT BOARD ASSY. (M2)
5	4005940	INDICATION LABEL (M2)
6	NA	DECORATIVEPANEL ASSY. (2) (M2)
7	2313827	DECORATIVEPANEL ASSY. (M2)
8	2313834	AIR OUTLET INSIDE FRAME ASSY. (M2)
9	1884890	LIFTING LUG ASSY. (M2)
10	4019921	WIRE HARNESS ASSY. (M2)
11	2311629	WIRE HARNESS ASSY. (M2)
12	2313478	BEARING ASSY. (L) (M2)
13	151065J	STEPPING MOTOR (M2)
14	2014447	SHAFT COUPLING (M2)
15	2313625	BEARING ASSY. (R) (M2)
16	2311650	HORIZONTALVANE ASSY. (M2)
17	2014423	SHAFT (HOR. BLADE) (M2)
18	170555J	CORNER COVER ASSY. (M2)
19	066404J	PROTECTION BAND (FOR CORNER) (M2)
20	NA	CORNER COVER (SENSOR) ASSY. (M2)
21	2298238	PYROELECTRIC SENSOR (M2)
22	2014500	PRINTED CIRCUIT (GROUND TEMP. SENSOR) (M2)
23	2014517	COVER (SENSOR PCB) ASSY. (M2)
24	2311667	WIRE HARNESS ASSY. (M2)
25	2313687	THERMAL INSULATION ASSY. (M2)
26	2313719	THERMAL INSULATION ASSY. (M2)
27	2313740	THERMAL INSULATION (OUTSIDE) (M2)
28	1884946	THERMAL INSULATION (CORNER 1) (M2)
29	2014586	THERMAL INSULATION (CORNER 2) (M2)
30	1884960	THERMAL INSULATION (CORNER 3) (M2)
31	2313904	ANTISWEAT MATERIAL (1) (M2)
32	2313911	THERMAL INSULATION (1) (M2)
33	2313928	ANTISWEAT MATERIAL (2) (M2)
34	1884908	FIXTURE (M2)
35	165334J	THERMAL INSULATION (FOR PANEL 1) (M2)
36	165335J	THERMAL INSULATION (FOR PANEL 2) (M2)
37	165336J	SEALING MATERIAL (FOR PANEL EDGE) (M2)
38	2160371	PCB COVER (M2)
39	2014649	SEALING MATERIAL (BEARING MOUNT) (M2)
40	2014656	SEALING MATERIAL (BEARING MOUNT) (M2)

Expanded Model Nomenclature

- | |
|------------------|
| M1 - BYCQ54EEFU |
| M2 - BYCQ54EEGFU |
| M3 - FCQ18AAVJU |
| M4 - FCQ24AAVJU |
| M5 - FCQ30AAVJU |
| M6 - FCQ36AAVJU |
| M7 - FCQ42AAVJU |
| M8 - FCQ48AAVJU |

BYCQ54EEGFU

BYCQ54EEGFU



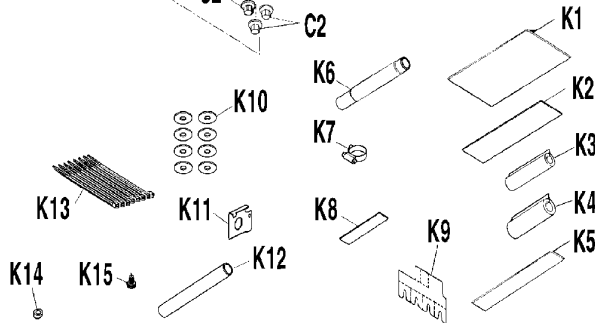
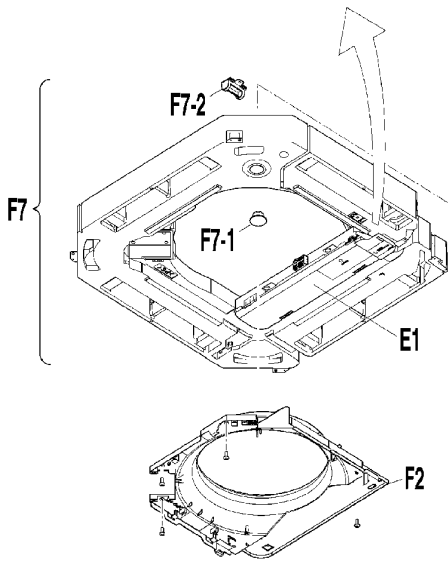
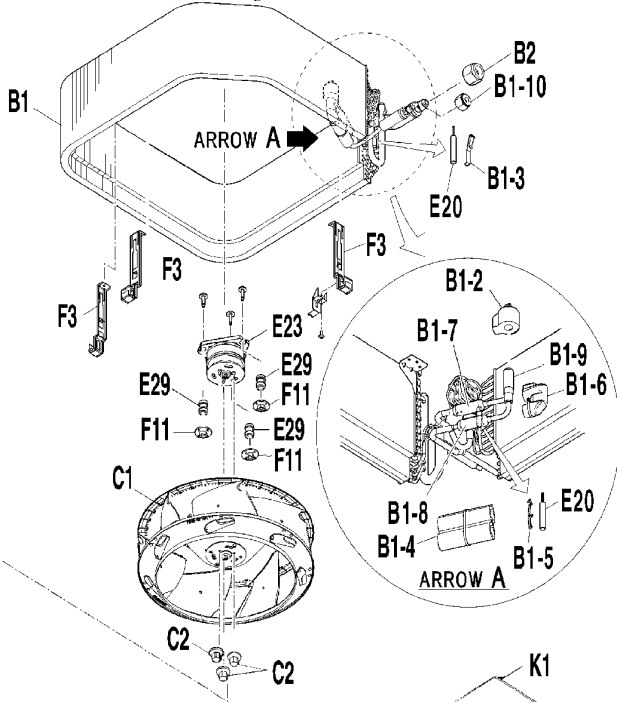
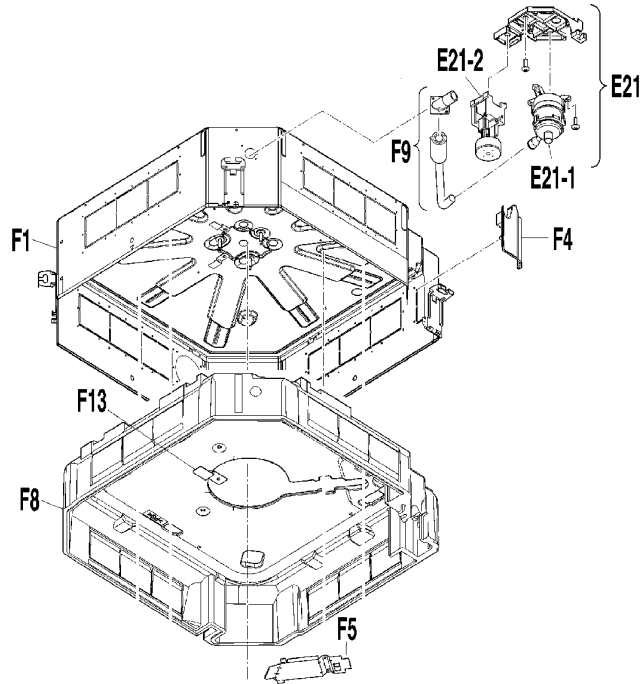
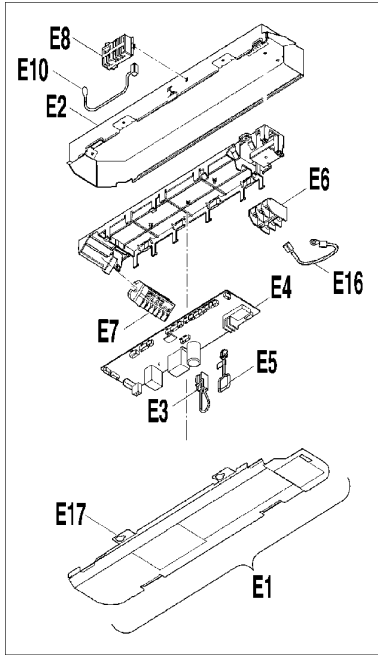
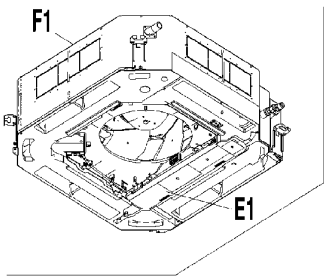
Picture Key	
Ref #	Picture #
1	C1
2	E1
3	E1-1
4	E1-2
5	E2
6	E2-1
7	E2-2
8	E2-3
9	E2-4
10	E3
11	E3-1
12	E3-2
13	E3-2-1
14	E3-2-2
15	E3-2-3
16	E3-3
17	E3-3-1
18	E3-3-2
19	E3-3-3
20	E3-3-3-1
21	E3-3-3-2
22	E3-3-3-3
23	E3-4
24	E3-4-1
25	E3-4-2
26	E3-4-3
27	E3-5
28	E4
29	E5
30	F2
31	F2-1
32	F2-2
33	F2-3
34	F2-4
35	F2-5
36	F2-6
37	F2-7
38	F2-8
39	F2-9
40	F2-10
41	F2-11
42	F2-14
43	F2-14-1
44	F2-14-2
45	F2-14-3
46	F2-14-4
47	F2-14-5
48	F2-14-6
49	F2-14-7
50	F2-14-8
51	F2-14-9
52	F2-14-10
53	F2-14-12
54	F2-14-13
55	F2-14-14
56	F3
57	F3-1
58	F3-2
59	F3-3
60	F3-4
61	F3-5
62	F3-6
63	F3-7
64	F3-8
65	F5
66	F10
67	F13
68	F14
69	F14-1
70	F14-2
71	F14-3
72	F14-4
73	K1
74	K2
75	K3
76	K4
77	K5
78	K6
79	K7
80	K8
81	K9

BYCQ54EEGFU

Ref. Part No: No:	Description:	Ref. Part No: No:	Description:								
Image 1:		Image 1:									
1	187944J AIR FILTER (M2)	58	1884458 GRILLE FIXTURE (M2)								
2	NA EL. COMPO. ASSY. (M2)	59	1884838 AIR INLET ASSY. (M2)								
3	1883796 SWITCH BOX (M2)	60	1884845 COVER (M2)								
4	2311674 PRINTED CIRCUIT BOARD ASSY. (M2)	61	1884852 WIRE SPRING (M2)								
5	1884395 FILTER MOTOR ASSY. (M2)	62	1705478 BRAND NAME LABEL (M2)								
6	2160340 SET PLATE/ FAN MOTOR (M2)	63	1884869 PROTECTION BAND (M2)								
7	130779J STEPPING MOTOR (M2)	64	1884876 REINFORCE PLATE (M2)								
8	1884403 GEAR (AIR FILTER) (M2)	65	1884388 COVER/ SWITCH BOX (M2)								
9	1884410 WIRE HARNESS ASSY. (FILTER DRIVE) (M2)	66	2313896 INSULATIONCOVER (M2)								
10	NA BRUSH MOUNT FRAME ASSY. (M2)	67	NA WIRING DIAGRAM LABEL (M2)								
11	1883804 FRAME ASSY. (M2)	68	NA DUST BOX ASSY. (M2)								
12	2257422 DRIVE BRUSH (M2)	69	1879456 AIR FILTER (FOR DUST BOX) (M2)								
13	2029418 STEPPING MOTOR (M2)	70	1885172 PROTECTION BAND (FOR DUST BOX) (M2)								
14	1883828 GEAR (BRUSH/ DAMPER) (M2)	71	4005985 COVER/ DUST BOX (M2)								
15	1883835 WIRE HARNESS (BLUSH) (M2)	72	4005986 DUST BOX (M2)								
16	1883842 DAMPER DRIVE ASSY. (M2)	73	2311713 WIRE HARNESS (M2)								
17	1883859 CONNECTION DUCT ASSY. (M2)	74	2311720 WIRE HARNESS (M2)								
18	1883866 GEAR ASSY. (M2)	75	2311737 WIRE HARNESS (M2)								
19	NA DAMPER MOTOR ASSY. (M2)	76	2045465 SILICONE GLASS TUBE (M2)								
20	1797578 SWING MOTOR (M2)	77	2045458 SILICONE GLASS TUBE (M2)								
21	1883828 GEAR (BRUSH/ DAMPER) (M2)	78	1885204 HOSE (1) ASSY. (M2)								
22	1883873 WIRE HARNESS ASSY. (DAMPER DRIVE) (M2)	79	1885211 HOSE (2) ASSY. (M2)								
23	NA BRUSH UNIT ASSY. (1) (M2)	80	NA SPACER ASSY. (M2)								
24	2257453 BRUSH UNIT ASSY. (2) (M2)	81	4005998 SEALING MATERIAL (M2)								
25	2311698 SENSOR ASSY. (M2)	Expanded Model Nomenclature									
26	2160357 LAMP COVER (M2)	<table border="1"> <tr> <td>M1 - BYCQ54EEFU</td> </tr> <tr> <td>M2 - BYCQ54EEGFU</td> </tr> <tr> <td>M3 - FCQ18AAVJU</td> </tr> <tr> <td>M4 - FCQ24AAVJU</td> </tr> <tr> <td>M5 - FCQ30AAVJU</td> </tr> <tr> <td>M6 - FCQ36AAVJU</td> </tr> <tr> <td>M7 - FCQ42AAVJU</td> </tr> <tr> <td>M8 - FCQ48AAVJU</td> </tr> </table>		M1 - BYCQ54EEFU	M2 - BYCQ54EEGFU	M3 - FCQ18AAVJU	M4 - FCQ24AAVJU	M5 - FCQ30AAVJU	M6 - FCQ36AAVJU	M7 - FCQ42AAVJU	M8 - FCQ48AAVJU
M1 - BYCQ54EEFU											
M2 - BYCQ54EEGFU											
M3 - FCQ18AAVJU											
M4 - FCQ24AAVJU											
M5 - FCQ30AAVJU											
M6 - FCQ36AAVJU											
M7 - FCQ42AAVJU											
M8 - FCQ48AAVJU											
27	1883905 BEARING (M2)										
28	1884427 WIRE HARNESS ASSY. (MAIN 1) (M2)										
29	1884434 WIRE HARNESS ASSY. (LED) (M2)										
30	NA CHAMBER ASSY. (M2)										
31	1885019 CHAMBER (M2)										
32	2313865 SEALER (M2)										
33	2313872 SEALER (M2)										
34	2313889 SEALER (M2)										
35	153618J SEALING MATERIAL (AIR OUTLET) (M2)										
36	2132840 SEALING MATERIAL (AIR OUTLET) (M2)										
37	5009239 SEALING MATERIAL (M2)										
38	5009240 SEALING MATERIAL (M2)										
39	5009238 SEALING MATERIAL (M2)										
40	5009237 SEALING MATERIAL (M2)										
41	1885026 SEALING MATERIAL (M2)										
42	NA TOP PANEL ASSY. (M2)										
43	1885033 TOP PANEL (M2)										
44	1885040 COVER (M2)										
45	1885057 FILTER FIXTURE (M2)										
46	1885064 REINFORCE PLATE (M2)										
47	1885071 LAMINATED SPRING (M2)										
48	1885088 TEMPORALLY HANGING LUG (M2)										
49	1885095 FIXTURE (M2)										
50	1885103 FIXTURE COVER (M2)										
51	1885110 SERVICE COVER (M2)										
52	1885127 FRAME FIXTURE (M2)										
53	1885134 KNURLED SET SCREW (M2)										
54	1885141 FRAME COVER (M2)										
55	1885158 HARNESS CLAMP PLATE (M2)										
56	1879470 AIR SUCTION GRILLE ASSY. (M2)										
57	1884441 SUCTION GRILLE (M2)										

FCQ[18,24]AAVJU

FCQ18AAVJU / FCQ24AAVJU



Picture Key

Ref #	Picture #
1	B1
2	B1-10
3	B1-2
4	B1-3
5	B1-4
6	B1-5
7	B1-6
8	B1-7
9	B1-8
10	B1-9
11	B2
12	C1
13	C2
14	E1
15	E10
16	E16
17	E17
18	E2
19	E20
20	E21
21	E21-1
22	E21-2
23	E23
24	E29
25	E3
26	E4
27	E5
28	E6
29	E7
30	E8
31	F1
32	F11
33	F13
34	F2
35	F3
36	F4
37	F5
38	F7
39	F7-1
40	F7-2
41	F8
42	F9
43	K1
44	K10
45	K11
46	K12
47	K13
48	K14
49	K15
50	K2
51	K3
52	K4
53	K5
54	K6
55	K7
56	K8
57	K9

FCQ[18,24]AAVJU

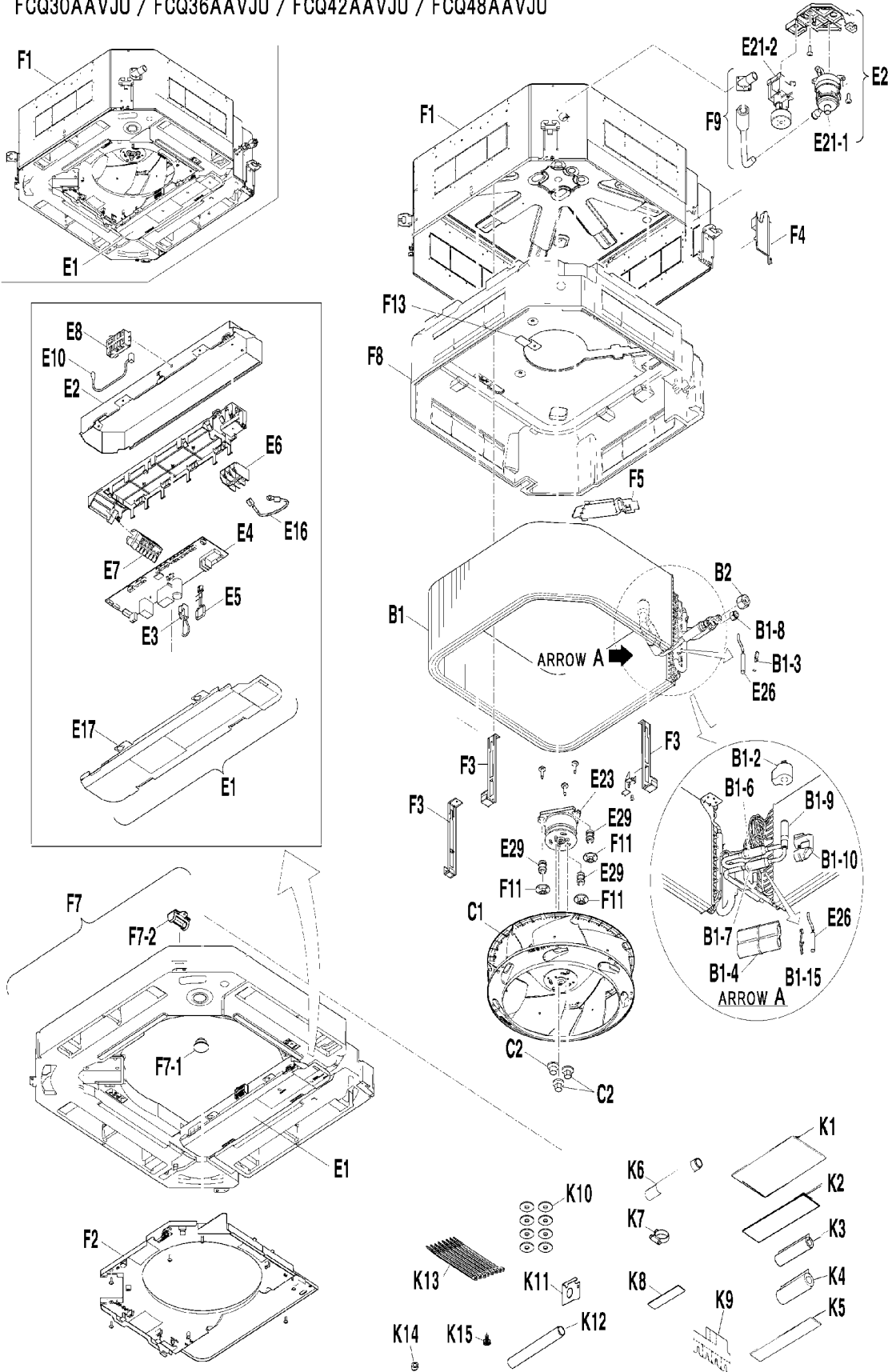
Ref. Part No:	Ref. Part No:	Description:	Description:
Image 1:		Image 1:	
1	2422295	EVAPORATOR ASSY. (M3, M4)	55 2533760 HOSE BAND (M3, M4)
2	119848J	FLARE NUT (M3, M4)	56 143192J THERMAL INSULATION/ LEAD WIRE (M3, M4)
3	2319678	COIL/ ELECTRONIC EXP. VALVE ASSY. (M3, M4)	57 2551229 WASHER FIXING MATERIAL (M3, M4)
4	380120J	FITTING SPRING/ THERMISTOR (M3, M4)	
5	1912601	PUTTY (M3, M4)	
6	042396J	FITTING SPRING/ THERMISTOR (M3, M4)	
7	1912618	PUTTY (M3, M4)	
8	2141666	REFRIGERANT FILTER (M3, M4)	
9	2141659	REFRIGERANT FILTER (M3, M4)	
10	2110080	BODY/ ELECTRONIC EXP. VALVE (M3, M4)	
11	119850J	FLARE NUT (M3, M4)	
12	2316732	FAN ROTOR(TURBO) (M3, M4)	
13	2441753	FLANGE NUT (M3, M4)	
14	NA	EL. COMPO. ASSY. (M3, M4)	
15	2319274	THERMISTOR (AIR) (M3, M4)	
16	2322131	EARTH WIRE (M3, M4)	
17	2548892	SWITCH BOX COVER (M3, M4)	
18	2322124	SWITCH BOX ASSY. (M3, M4)	
19	2319065	THERMISTOR (COIL) (M3, M4)	
20	2401609	DRAIN PUMP ASSY. (M3, M4)	
21	2314279	MOTOR (DRAIN PUMP) (M3, M4)	
22	2316770	FLOAT SWITCH (M3, M4)	
23	2395324	MOTOR (INDOOR FAN) (M3, M4)	
24	053203J	CUSHION RUBBER/ FAN MOTOR (M3, M4)	
25	2026161	CONNECTOR ASSY. (M3, M4)	
26	2548891	PRINTED CIRCUIT BOARD ASSY. (CONTROL) (M3, M4)	
27	064060J	CAPACITY SETTING ADAPTOR (M3)	
27	065336J	CAPACITY SETTING ADAPTOR (M4)	
28	153623J	TERMINAL BLOCK (POWER SUPPLY) (M3, M4)	
29	5023576	TERMINAL STRIP (with wire assy) (M3, M4)	
30	2211116	PLASTIC CASE (M3, M4)	
31	2372237	CASING FRAME (M3, M4)	
32	054199J	NUT WITH FLAT WASHER (M3, M4)	
33	2128036	HOLD PLATE (INSULATION) (M3, M4)	
34	2411497	BELL MOUTH (M3, M4)	
35	2013514	SET PLATE (M3, M4)	
36	1703162	HOLD PLATE ASSY. (M3, M4)	
37	2548511	HOLD PLATE (WIRE) (M3, M4)	
38	2316819	DRAIN PAN ASSY. (M3, M4)	
39	2456111	DRAIN SOCKET CAP (M3, M4)	
40	1985421	ANTI-BACTERIAL AGENTS ASSY. (M3, M4)	
41	2316826	HEAT INSULATION COVER (M3, M4)	
42	2013932	DRAIN HOSE ASSY. (M3, M4)	
43	032284J	SEALER/ DRAIN HOSE (M3, M4)	
44	1755497	PLAIN WASHER (M3, M4)	
45	2223498	CONDUIT MOUNTING PLATE (M3, M4)	
46	2223506	ELECTRIC INSULATION (M3, M4)	
47	981610	CLAMP/ LEAD WIRE (M3, M4)	
48	163556J	ANTISWEAT COVER (M3, M4)	
49	084212J	TAPPING SCREW (M3, M4)	
50	170323J	SEALING MATERIAL (M3, M4)	
51	038187J	THERMAL INSULATION TUBE (M3, M4)	
52	2542951	THERMAL INSULATION TUBE (M3, M4)	
53	0014395	SEALER/ DRAIN HOSE (M3, M4)	
54	2455745	DRAIN HOSE (M3, M4)	

Expanded Model Nomenclature

- M1 - BYCQ54EEFU
- M2 - BYCQ54EEGFU
- M3 - FCQ18AAVJU
- M4 - FCQ24AAVJU
- M5 - FCQ30AAVJU
- M6 - FCQ36AAVJU
- M7 - FCQ42AAVJU
- M8 - FCQ48AAVJU

FCQ[30,36,42,48]AAVJU

FCQ30AAVJU / FCQ36AAVJU / FCQ42AAVJU / FCQ48AAVJU



Picture Key

Ref #	Picture #
1	B1
2	B1-10
3	B1-15
4	B1-2
5	B1-3
6	B1-4
7	B1-6
8	B1-7
9	B1-8
10	B1-9
11	B2
12	C1
13	C2
14	E1
15	E10
16	E16
17	E17
18	E2
19	E21
20	E21-1
21	E21-2
22	E23
23	E26
24	E3
25	E4
26	E5
27	E6
28	E7
29	E8
30	F1
31	F11
32	F13
33	F2
34	F3
35	F4
36	F5
37	F7
38	F7-1
39	F7-2
40	F8
41	F9
42	K1
43	K10
44	K11
45	K12
46	K13
47	K14
48	K15
49	K2
50	K3
51	K4
52	K5
53	K6
54	K7
55	K8
56	K9

FCQ[30,36,42,48]AAVJU

Ref. Part No:	No:	Description:	Ref. Part No:	No:	Description:								
Image 1:			Image 1:										
1	2422303	EVAPORATOR ASSY. (M5)	48	084212J	TAPPING SCREW (M5, M6, M7, M8)								
1	2422310	EVAPORATOR ASSY. (M6, M7, M8)	49	170323J	SEALING MATERIAL (M5, M6, M7, M8)								
2	1912618	PUTTY (M5, M6, M7, M8)	50	038187J	THERMAL INSULATION TUBE (M5, M6, M7, M8)								
3	042396J	FITTING SPRING/ THERMISTOR (M5, M6, M7, M8)	51	2542951	THERMAL INSULATION TUBE (M5, M6, M7, M8)								
4	2319678	COIL/ ELECTRONIC EXP. VALVE ASSY. (M5, M6, M7, M8)	52	0014395	SEALER/ DRAIN HOSE (M5, M6, M7, M8)								
5	380120J	FITTING SPRING/ THERMISTOR (M5, M6, M7, M8)	53	2455745	DRAIN HOSE (M5, M6, M7, M8)								
6	1912601	PUTTY (M5, M6, M7, M8)	54	2533760	HOSE BAND (M5, M6, M7, M8)								
7	2141666	REFRIGERANT FILTER (M5, M6, M7, M8)	55	143192J	THERMAL INSULATION/ LEAD WIRE (M5, M6, M7, M8)								
8	2141659	REFRIGERANT FILTER (M5, M6, M7, M8)	56	2551229	WASHER FIXING MATERIAL (M5, M6, M7, M8)								
9	119848J	FLARE NUT (M5, M6, M7, M8)	Expanded Model Nomenclature										
10	2110097	BODY/ ELECTRONIC EXP. VALVE (M5)	<table border="1"> <tr> <td>M1 - BYCQ54EEFU</td> </tr> <tr> <td>M2 - BYCQ54EEGFU</td> </tr> <tr> <td>M3 - FCQ18AAVJU</td> </tr> <tr> <td>M4 - FCQ24AAVJU</td> </tr> <tr> <td>M5 - FCQ30AAVJU</td> </tr> <tr> <td>M6 - FCQ36AAVJU</td> </tr> <tr> <td>M7 - FCQ42AAVJU</td> </tr> <tr> <td>M8 - FCQ48AAVJU</td> </tr> </table>			M1 - BYCQ54EEFU	M2 - BYCQ54EEGFU	M3 - FCQ18AAVJU	M4 - FCQ24AAVJU	M5 - FCQ30AAVJU	M6 - FCQ36AAVJU	M7 - FCQ42AAVJU	M8 - FCQ48AAVJU
M1 - BYCQ54EEFU													
M2 - BYCQ54EEGFU													
M3 - FCQ18AAVJU													
M4 - FCQ24AAVJU													
M5 - FCQ30AAVJU													
M6 - FCQ36AAVJU													
M7 - FCQ42AAVJU													
M8 - FCQ48AAVJU													
10	2110112	BODY/ ELECTRONIC EXP. VALVE (M6, M7, M8)											
11	119850J	FLARE NUT (M5, M6, M7, M8)											
12	2316732	FAN ROTOR(TURBO) (M5, M6, M7, M8)											
13	2441753	FLANGE NUT (M5, M6, M7, M8)											
14	NA	EL. COMPO. ASSY. (M5, M6, M7, M8)											
15	2319274	THERMISTOR (AIR) (M5, M6, M7, M8)											
16	2322131	EARTH WIRE (M5, M6, M7, M8)											
17	2548892	SWITCH BOX COVER (M5, M6, M7, M8)											
18	2322124	SWITCH BOX ASSY. (M5, M6, M7, M8)											
19	2401609	DRAIN PUMP ASSY. (M5, M6, M7, M8)											
20	2314279	MOTOR (DRAIN PUMP) (M5, M6, M7, M8)											
21	2316770	FLOAT SWITCH (M5, M6, M7, M8)											
22	053203J	CUSHION RUBBER/ FAN MOTOR (M5, M6, M7, M8)											
22	2395557	MOTOR (INDOOR FAN) (M5, M6, M7, M8)											
23	2319065	THERMISTOR (COIL) (M5, M6, M7, M8)											
24	2026161	CONNECTOR ASSY. (M5, M6, M7, M8)											
25	2548893	PRINTED CIRCUIT BOARD ASSY. (CONTROL) (M5, M6, M7, M8)											
26	065337J	CAPACITY SETTING ADAPTOR (M6)											
26	065338J	CAPACITY SETTING ADAPTOR (M8)											
26	066965J	CAPACITY SETTING ADAPTOR (M5)											
26	069706J	CAPACITY SETTING ADAPTOR (M7)											
27	153623J	TERMINAL BLOCK (POWER SUPPLY) (M5, M6, M7, M8)											
28	5023576	TERMINAL STRIP (with wire assy) (M5, M6, M7, M8)											
29	2211116	PLASTIC CASE (M5, M6, M7, M8)											
30	2372244	CASING FRAME ASSY. (M5, M6, M7, M8)											
31	054199J	NUT WITH FLAT WASHER (M5, M6, M7, M8)											
32	2128036	HOLD PLATE (INSULATION) (M5, M6, M7, M8)											
33	2411505	BELL MOUTH (M5, M6, M7, M8)											
34	2013521	SET PLATE/ HEAT EXCHANGER (M5, M6, M7, M8)											
35	1703162	HOLD PLATE ASSY. (M5, M6, M7, M8)											
36	2548511	HOLD PLATE (WIRE) (M5, M6, M7, M8)											
37	2316819	DRAIN PAN ASSY. (M5, M6, M7, M8)											
38	2456111	DRAIN SOCKET CAP (M5, M6, M7, M8)											
39	1985421	ANTI-BACTERIAL AGENTS ASSY. (M5, M6, M7, M8)											
40	2316857	HEAT INSULATION COVER (M5, M6, M7, M8)											
41	2013932	DRAIN HOSE ASSY. (M5, M6, M7, M8)											
42	032284J	SEALER/ DRAIN HOSE (M5, M6, M7, M8)											
43	1755497	PLAIN WASHER (M5, M6, M7, M8)											
44	2223498	CONDUIT MOUNTING PLATE (M5, M6, M7, M8)											
45	2223506	ELECTRIC INSULATION (M5, M6, M7, M8)											
46	981610	CLAMP/ LEAD WIRE (M5, M6, M7, M8)											
47	163556J	ANTISWEAT COVER (M5, M6, M7, M8)											