

---

## FBQ\*\*TBVJU HSP Concealed Ducted Unit

FBQ18TBVJU  
FBQ24TBVJU  
FBQ30TBVJU  
FBQ36TBVJU  
FBQ42TBVJU  
FBQ48TBVJU



This manual is to be used by qualified technicians only.

# Important Information

---

## Index

Functional Parts List .....	3
Illustration and Parts .....	4 - 11

*Views shown are for parts illustrations only, not servicing procedures.*

### Text Codes:

AR - As Required

NA - Not Available

NS - Not Shown

00000000 - See Note

QTY - Quantity Example (QTY 3) (If Quantity not shown, Quantity = 1)

M - Model Example (M1) (If M Code not shown, then part is used on all Models)

### Expanded Model Nomenclature:

Example
M1 - Model#1
M2 - Model#2
M3 - Model#3

Daikin Comfort Technologies Manufacturing , L.P. is not responsible for personal injury or property damage resulting from improper service. Review all service information before beginning repairs.

Warranty service must be performed by an authorized technician, using authorized factory parts. If service is required after the warranty expires, Daikin Comfort Technologies Manufacturing , L.P. also recommends contacting an authorized technician and using authorized factory parts.

Daikin Comfort Technologies Manufacturing , L.P. reserves the right to discontinue, or change at any time, specifications or designs without notice or without incurring obligations.

For assistance within the U.S.A. contact:  
Homeowner Support  
Daikin Comfort Technologies Manufacturing , L.P.  
19001 Kermier Road  
Waller, Texas 77484  
855-770-5678-Telephone  
713-863-2382-Facsimile

For assistance outside the U.S.A. contact:  
International Division  
Daikin Comfort Technologies Manufacturing , L.P.  
19001 Kermier Road  
Waller, Texas 77484  
713-861-2500-Telephone  
713-863-2382-Facsimile

# Functional Parts

## Part

## No: Description:

---

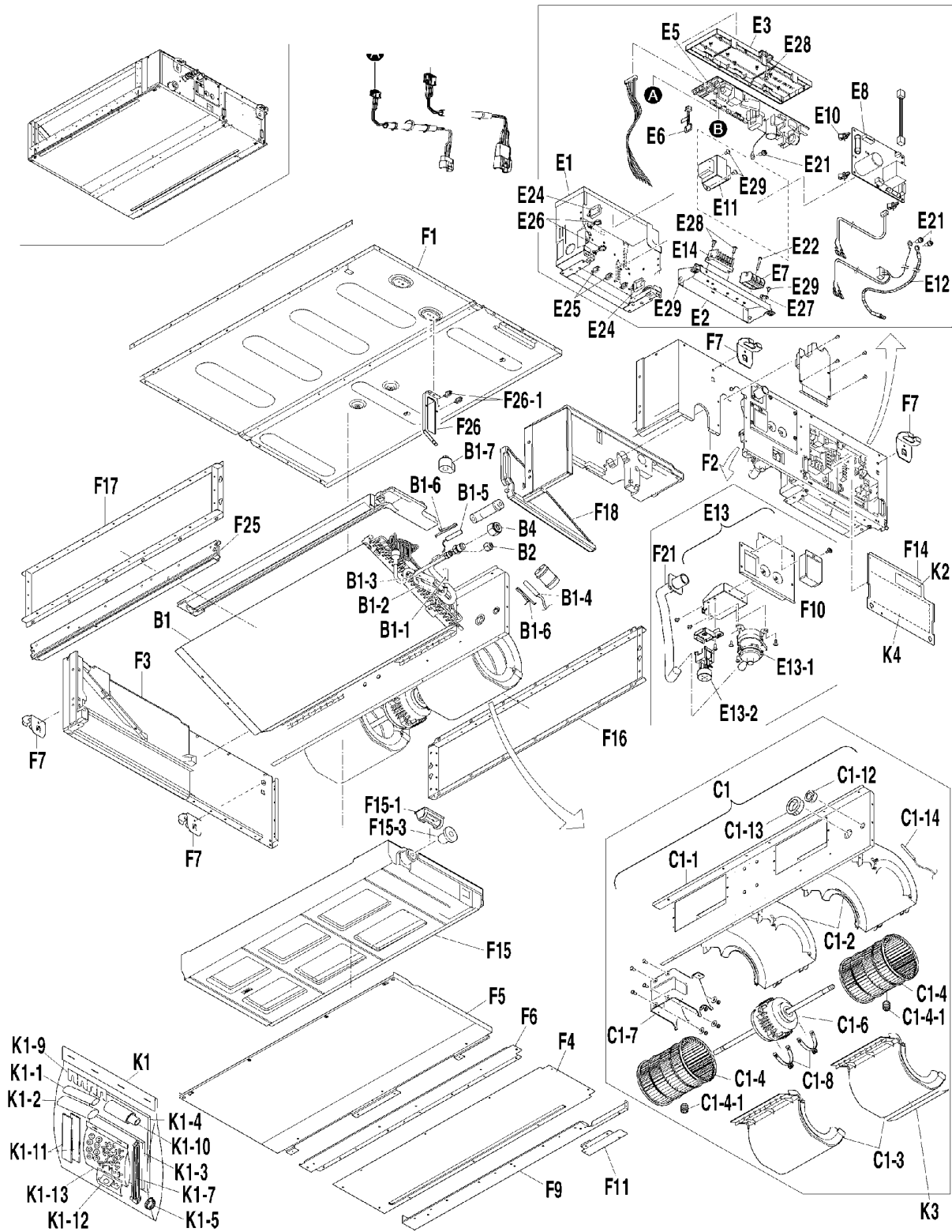
2425326	BODY/ ELECTRONIC EXP. VALVE (M2)
2425333	BODY/ ELECTRONIC EXP. VALVE (M3, M4, M5, M6)
2214038	BODY/ ELECTRONIC EXP. VALVE (M1)
066965J	CAPACITY SETTING ADAPTOR (M3)
065338J	CAPACITY SETTING ADAPTOR (M6)
065337J	CAPACITY SETTING ADAPTOR (M4)
065336J	CAPACITY SETTING ADAPTOR (M2)
064060J	CAPACITY SETTING ADAPTOR (M1)
069706J	CAPACITY SETTING ADAPTOR (M5)
4015741	COIL/ ELECTRONIC EXP. VALVE
2534708	FLOAT SWITCH ASSY.
2546619	HEAT EXCHANGER ASSY. (M5, M6)
2546611	HEAT EXCHANGER ASSY. (M1)
2546615	HEAT EXCHANGER ASSY. (M2)
2546616	HEAT EXCHANGER ASSY. (M3, M4)
2261089	MOTOR (DRAIN PUMP)
2258153	MOTOR (INDOOR FAN) (M1, M2)
2550996	MOTOR (INDOOR FAN) (M3, M4, M5, M6)
2548334	PRINTED CIRCUIT BOARD ASSY. (CONTROL) (M3, M4, M5, M6)
2548333	PRINTED CIRCUIT BOARD ASSY. (CONTROL) (M1, M2)
2548335	PRINTED CIRCUIT BOARD ASSY. (FAN) (M3, M4, M5, M6)
4025260	PRINTED CIRCUIT BOARD ASSY. (FAN) (M1, M2)
2398671	THERMISTOR ASSY. (AIR)
2414528	THERMISTOR ASSY. (COIL)
2398664	THERMISTOR ASSY. (COIL)

### Expanded Model Nomenclature

- |                 |
|-----------------|
| M1 - FBQ18TBVJU |
| M2 - FBQ24TBVJU |
| M3 - FBQ30TBVJU |
| M4 - FBQ36TBVJU |
| M5 - FBQ42TBVJU |
| M6 - FBQ48TBVJU |

# FBQ18TBVJU

FBQ18TBVJU



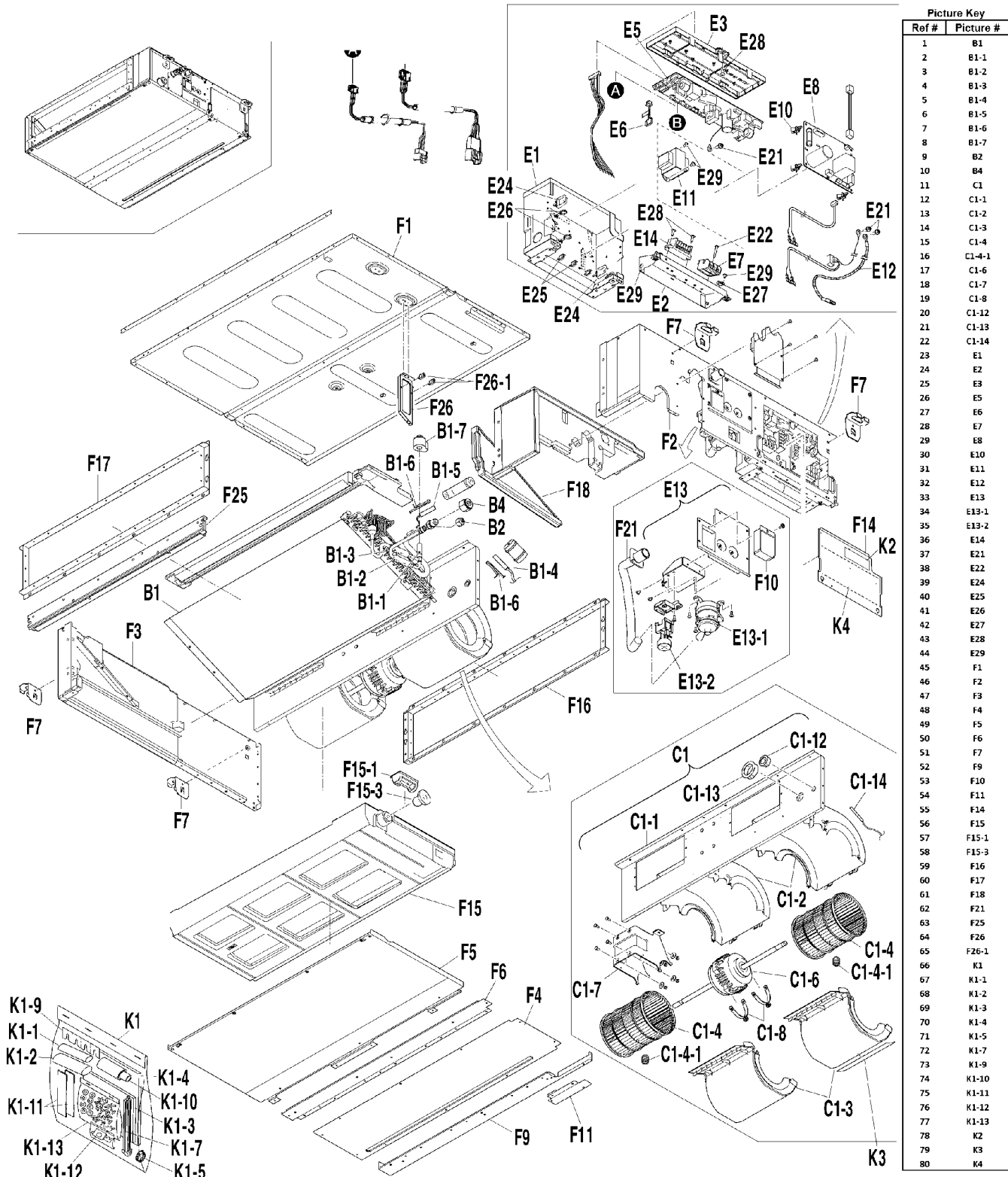
Picture Key	
Ref #	Picture #
1	B1
2	B1-1
3	B1-2
4	B1-3
5	B1-4
6	B1-5
7	B1-6
8	B1-7
9	B2
10	B4
11	C1
12	C1-1
13	C1-2
14	C1-3
15	C1-4
16	C1-4-1
17	C1-6
18	C1-7
19	C1-8
20	C1-12
21	C1-13
22	C1-14
23	E1
24	E2
25	E3
26	E5
27	E6
28	E7
29	E8
30	E10
31	E11
32	E12
33	E13
34	E13-1
35	E13-2
36	E14
37	E21
38	E22
39	E24
40	E25
41	E26
42	E27
43	E28
44	E29
45	F1
46	F2
47	F3
48	F4
49	F5
50	F6
51	F7
52	F9
53	F10
54	F11
55	F14
56	F15
57	F15-1
58	F15-3
59	F16
60	F17
61	F18
62	F21
63	F25
64	F26
65	F26-1
66	K1
67	K1-1
68	K1-2
69	K1-3
70	K1-4
71	K1-5
72	K1-7
73	K1-9
74	K1-10
75	K1-11
76	K1-12
77	K1-13
78	K2
79	K3
80	K4

# FBQ18TBVJU

Ref. Part No:	Part No:	Description:	Ref. Part No:	Part No:	Description:						
<b>Image 1:</b>			<b>Image 1:</b>								
1	2546611	HEAT EXCHANGER ASSY. (M1)	56	2546610	DRAIN PAN ASSY. (M1)						
2	2214038	BODY/ ELECTRONIC EXP. VALVE (M1)	57	1985421	ANTI-BACTERIAL AGENTS ASSY. (M1)						
3	2141635	REFRIGERANT FILTER (M1)	58	537994	CAP/ DRAIN SOCKET (M1)						
4	2141642	REFRIGERANT FILTER (M1)	59	2261560	AIR INLET FLANGE ASSY. (M1)						
5	2398664	THERMISTOR ASSY. (COIL) (M1)	60	2261577	AIR OUTLET FLANGE ASSY. (M1)						
6	2414528	THERMISTOR ASSY. (COIL) (M1)	61	2550991	THERMAL INSULATION (PARTITION) (M1)						
7	007432J	RETAINER/ THERMISTOR CLAMP (M1)	62	2261281	DRAIN HOSE ASSY. (M1)						
8	4015741	COIL/ ELECTRONIC EXP. VALVE (M1)	63	4017147	FRONT STAY ASSY. (M1)						
9	119848J	FLARE NUT (M1)	64	4016379	MOUNTING PLATE (M1)						
10	119850J	FLARE NUT (M1)	65	027843J	WIRE CLIP (M1)						
11	2550988	SIROCCO FAN ASSY. (M1)	66	NA	ACCESSORIES ASSY. (1) (M1)						
12	2261313	FAN TOP PLATE ASSY. (M1)	67	038187J	THERMAL INSULATION TUBE (M1)						
13	2550989	FAN HOUSING (UPPER) (M1)	68	2544361	THERMAL INSULATION TUBE (M1)						
14	2550990	FAN HOUSING (LOWER) (M1)	69	4000023	SEALING MATERIAL (M1)						
15	1863716	SIROCCO ROTOR ASSY. (M1)	70	032284J	SEALER/ DRAIN HOSE (M1)						
16	011582J	HEX SOCKET SCREW (M1)	71	2533760	HOSE BAND (M1)						
17	2258153	MOTOR (INDOOR FAN) (M1)	72	980773	TIE WRAP (M1)						
18	2261058	MOTOR BASE (M1)	73	1755334	WASHER FIXING MATERIAL (M1)						
19	4007850	LOCK PLATE/ FAN MOTOR (M1)	74	2455745	DRAIN HOSE (M1)						
20	170618J	BUSHING (LOW VOLTAGE) (M1)	75	2261298	SEALING MATERIAL (M1)						
21	144573J	BUSHING (M1)	76	2393001	CONDUIT MOUNTING PLATE (M1)						
22	2398671	THERMISTOR ASSY. (AIR) (M1)	77	2532974	TRUSS HEAD TAPPING SCREW (M1)						
23	2261065	SWITCH BOX ASSY. (M1)	78	2546670	CAUTION LABEL (ELECTRIC SHOCK) (M1)						
24	2374668	SET PLATE/ IMPLEMENT USE (4) (M1)	79	4023075	CAUTION LABEL (ROTATING) (M1)						
25	2374675	RESIN CASE (M1)	80	2550992	WIRING DIAGRAM LABEL (M1)						
26	2548333	PRINTED CIRCUIT BOARD ASSY. (CONTROL) (M1)	<b>Expanded Model Nomenclature</b>								
27	064060J	CAPACITY SETTING ADAPTOR (M1)	<table border="1"> <tr><td>M1 - FBQ18TBVJU</td></tr> <tr><td>M2 - FBQ24TBVJU</td></tr> <tr><td>M3 - FBQ30TBVJU</td></tr> <tr><td>M4 - FBQ36TBVJU</td></tr> <tr><td>M5 - FBQ42TBVJU</td></tr> <tr><td>M6 - FBQ48TBVJU</td></tr> </table>			M1 - FBQ18TBVJU	M2 - FBQ24TBVJU	M3 - FBQ30TBVJU	M4 - FBQ36TBVJU	M5 - FBQ42TBVJU	M6 - FBQ48TBVJU
M1 - FBQ18TBVJU											
M2 - FBQ24TBVJU											
M3 - FBQ30TBVJU											
M4 - FBQ36TBVJU											
M5 - FBQ42TBVJU											
M6 - FBQ48TBVJU											
28	2395519	TERMINAL BLOCK (M1)									
29	4025260	PRINTED CIRCUIT BOARD ASSY. (FAN) (M1)									
30	380402J	LOCKING CARD SPACER (M1)									
31	4015730	REACTOR (M1)									
32	2261072	EARTH WIRE (M1)									
33	4015731	SERVICE LID ASSY. (M1)									
34	2261089	MOTOR (DRAIN PUMP) (M1)									
35	2534708	FLOAT SWITCH ASSY. (M1)									
36	2002033	TERMINAL BLOCK (REMOTE CONTROLLER) (M1)									
37	113783J	TAPPING SCREW (M1)									
38	174888J	PAN HEAD TAPPING SCREW (M1)									
39	352004	WIRE CLIP (M1)									
40	027843J	WIRE CLIP (M1)									
41	1855164	HARNESS LIFTER (M1)									
42	0816755	RESIN CLAMP (M1)									
43	109688J	TRUSS HEAD TAPPING SCREW (M1)									
44	121072J	CROSS-RECESSED TAPPING SCREW (M1)									
45	2261320	TOP PLATE ASSY. (M1)									
46	2261135	SIDE PLATE (RIGHT) (M1)									
47	2546603	SIDE PLATE (LEFT) (M1)									
48	2261337	CHAMBER COVER (M1)									
49	2261344	BOTTOM PLATE (M1)									
50	2261351	BOTTOM PLATE (3) (M1)									
51	2261180	HOOK (M1)									
52	2261553	BOTTOM FRAME (M1)									
53	2261205	COVER/ INSPECTION HATCH (M1)									
54	4015767	BOTTOM PLATE (4) (M1)									
55	2261229	COVER/ SWITCH BOX (M1)									

# FBQ24TBVJU

FBQ24TBVJU



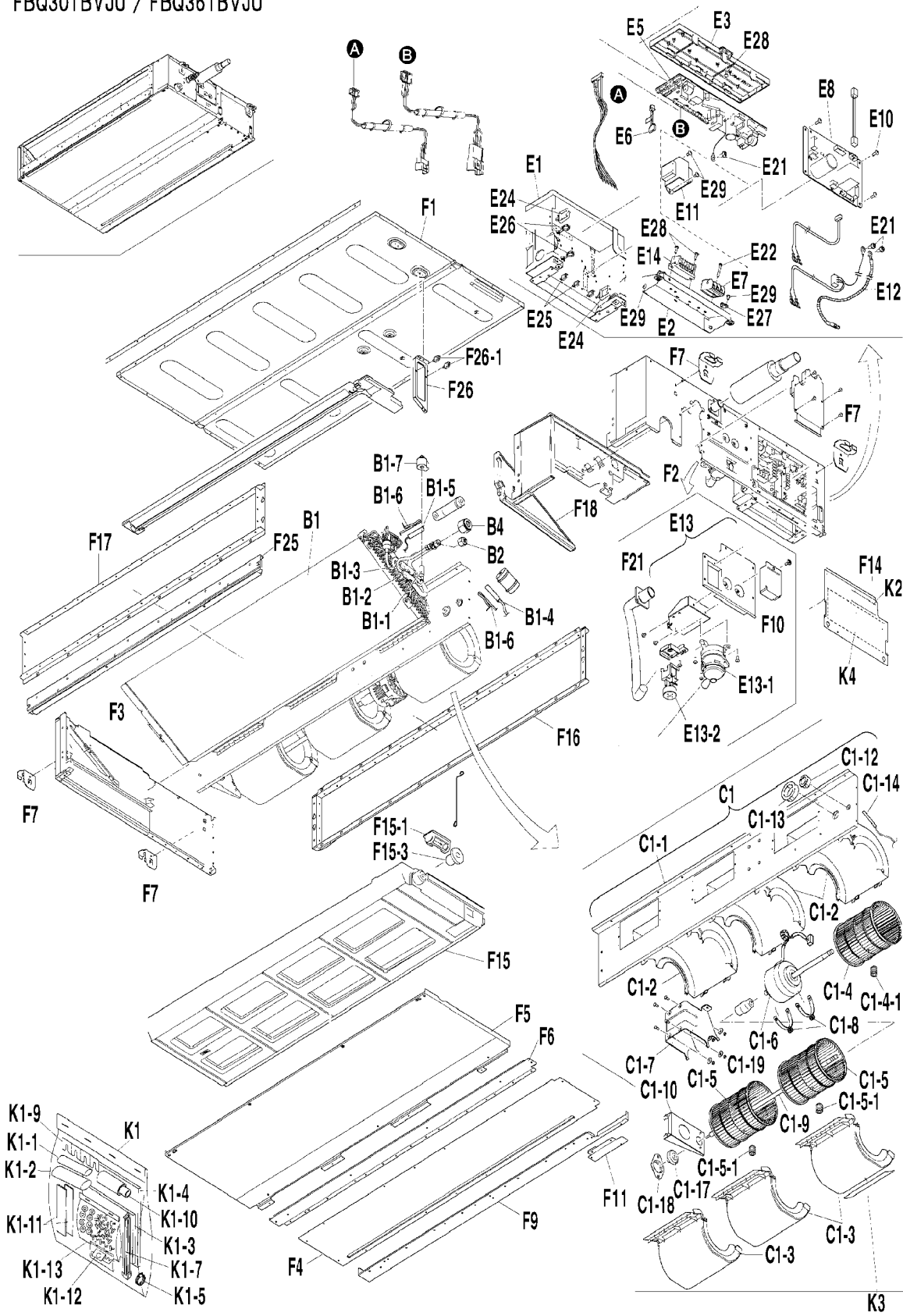
Picture Key	
Ref #	Picture #
1	B1
2	B1-1
3	B1-2
4	B1-3
5	B1-4
6	B1-5
7	B1-6
8	B1-7
9	B2
10	B4
11	C1
12	C1-1
13	C1-2
14	C1-3
15	C1-4
16	C1-4-1
17	C1-6
18	C1-7
19	C1-8
20	C1-12
21	C1-13
22	C1-14
23	E1
24	E2
25	E3
26	E5
27	E6
28	E7
29	E8
30	E10
31	E11
32	E12
33	E13
34	E13-1
35	E13-2
36	E14
37	E21
38	E22
39	E24
40	E25
41	E26
42	E27
43	E28
44	E29
45	F1
46	F2
47	F3
48	F4
49	F5
50	F6
51	F7
52	F9
53	F10
54	F11
55	F14
56	F15
57	F15-1
58	F15-3
59	F16
60	F17
61	F18
62	F21
63	F25
64	F26
65	F26-1
66	K1
67	K1-1
68	K1-2
69	K1-3
70	K1-4
71	K1-5
72	K1-7
73	K1-9
74	K1-10
75	K1-11
76	K1-12
77	K1-13
78	K2
79	K3
80	K4

# FBQ24TBVJU

Ref. Part No:	Ref. Part No:	Description:	Description:								
<b>Image 1:</b>		<b>Image 1:</b>									
1	2546615	HEAT EXCHANGER ASSY. (M2)	56	2546610	DRAIN PAN ASSY. (M2)						
2	2425326	BODY/ ELECTRONIC EXP. VALVE (M2)	57	1985421	ANTI-BACTERIAL AGENTS ASSY. (M2)						
3	2141635	REFRIGERANT FILTER (M2)	58	537994	CAP/ DRAIN SOCKET (M2)						
4	2141642	REFRIGERANT FILTER (M2)	59	2261560	AIR INLET FLANGE ASSY. (M2)						
5	2398664	THERMISTOR ASSY. (COIL) (M2)	60	2261577	AIR OUTLET FLANGE ASSY. (M2)						
6	2414528	THERMISTOR ASSY. (COIL) (M2)	61	2550991	THERMAL INSULATION (PARTITION) (M2)						
7	007432J	RETAINER/ THERMISTOR CLAMP (M2)	62	2261281	DRAIN HOSE ASSY. (M2)						
8	4015741	COIL/ ELECTRONIC EXP. VALVE (M2)	63	4017147	FRONT STAY ASSY. (M2)						
9	119848J	FLARE NUT (M2)	64	4016379	MOUNTING PLATE (M2)						
10	119850J	FLARE NUT (M2)	65	027843J	WIRE CLIP (M2)						
11	2550988	SIROCCO FAN ASSY. (M2)	66	NA	ACCESSORIES ASSY. (1) (M2)						
12	2261313	FAN TOP PLATE ASSY. (M2)	67	038187J	THERMAL INSULATION TUBE (M2)						
13	2550989	FAN HOUSING (UPPER) (M2)	68	2544361	THERMAL INSULATION TUBE (M2)						
14	2550990	FAN HOUSING (LOWER) (M2)	69	4000023	SEALING MATERIAL (M2)						
15	1863716	SIROCCO ROTOR ASSY. (M2)	70	032284J	SEALER/ DRAIN HOSE (M2)						
16	011582J	HEX SOCKET SCREW (M2)	71	2533760	HOSE BAND (M2)						
17	2258153	MOTOR (INDOOR FAN) (M2)	72	980773	TIE WRAP (M2)						
18	2261058	MOTOR BASE (M2)	73	1755334	WASHER FIXING MATERIAL (M2)						
19	4007850	LOCK PLATE/ FAN MOTOR (M2)	74	2455745	DRAIN HOSE (M2)						
20	170618J	BUSHING (LOW VOLTAGE) (M2)	75	2261298	SEALING MATERIAL (M2)						
21	144573J	BUSHING (M2)	76	2393001	CONDUIT MOUNTING PLATE (M2)						
22	2398671	THERMISTOR ASSY. (M2)	77	2532974	TRUSS HEAD TAPPING SCREW (M2)						
23	2261065	SWITCH BOX ASSY. (M2)	78	2546670	CAUTION LABEL (ELECTRIC SHOCK) (M2)						
24	2374668	SET PLATE/ IMPLEMENT USE (4) (M2)	79	4023075	CAUTION LABEL (ROTATING) (M2)						
25	2374675	RESIN CASE (M2)	80	2550992	WIRING DIAGRAM LABEL (M2)						
26	2548333	PRINTED CIRCUIT BOARD ASSY. (CONTROL) (M2)	<b>Expanded Model Nomenclature</b>								
27	065336J	CAPACITY SETTING ADAPTOR (M2)	<table border="1"> <tr><td>M1 - FBQ18TBVJU</td></tr> <tr><td>M2 - FBQ24TBVJU</td></tr> <tr><td>M3 - FBQ30TBVJU</td></tr> <tr><td>M4 - FBQ36TBVJU</td></tr> <tr><td>M5 - FBQ42TBVJU</td></tr> <tr><td>M6 - FBQ48TBVJU</td></tr> </table>			M1 - FBQ18TBVJU	M2 - FBQ24TBVJU	M3 - FBQ30TBVJU	M4 - FBQ36TBVJU	M5 - FBQ42TBVJU	M6 - FBQ48TBVJU
M1 - FBQ18TBVJU											
M2 - FBQ24TBVJU											
M3 - FBQ30TBVJU											
M4 - FBQ36TBVJU											
M5 - FBQ42TBVJU											
M6 - FBQ48TBVJU											
28	2395519	TERMINAL BLOCK (M2)									
29	4025260	PRINTED CIRCUIT BOARD ASSY. (FAN) (M2)									
30	380402J	LOCKING CARD SPACER (M2)									
31	4015730	REACTOR (M2)									
32	2261072	EARTH WIRE (M2)									
33	4015731	SERVICE LID ASSY. (M2)									
34	2261089	MOTOR (DRAIN PUMP) (M2)									
35	2534708	FLOAT SWITCH ASSY. (M2)									
36	2002033	TERMINAL BLOCK (REMOTE CONTROLLER) (M2)									
37	113783J	TAPPING SCREW (M2)									
38	174888J	PAN HEAD TAPPING SCREW (M2)									
39	352004	WIRE CLIP (M2)									
40	027843J	WIRE CLIP (M2)									
41	1855164	HARNESS LIFTER (M2)									
42	0816755	RESIN CLAMP (M2)									
43	109688J	TRUSS HEAD TAPPING SCREW (M2)									
44	121072J	CROSS-RECESSED TAPPING SCREW (M2)									
45	2261320	TOP PLATE ASSY. (M2)									
46	2261135	SIDE PLATE (RIGHT) (M2)									
47	2546603	SIDE PLATE (LEFT) (M2)									
48	2261337	CHAMBER COVER (M2)									
49	2261344	BOTTOM PLATE (M2)									
50	2261351	BOTTOM PLATE (3) (M2)									
51	2261180	HOOK (M2)									
52	2261553	BOTTOM FRAME (M2)									
53	2261205	COVER/ INSPECTION HATCH (M2)									
54	4015767	BOTTOM PLATE (4) (M2)									
55	2261229	COVER/ SWITCH BOX (M2)									

# FBQ[30,36]TBVJU

FBQ30TBVJU / FBQ36TBVJU



Picture Key

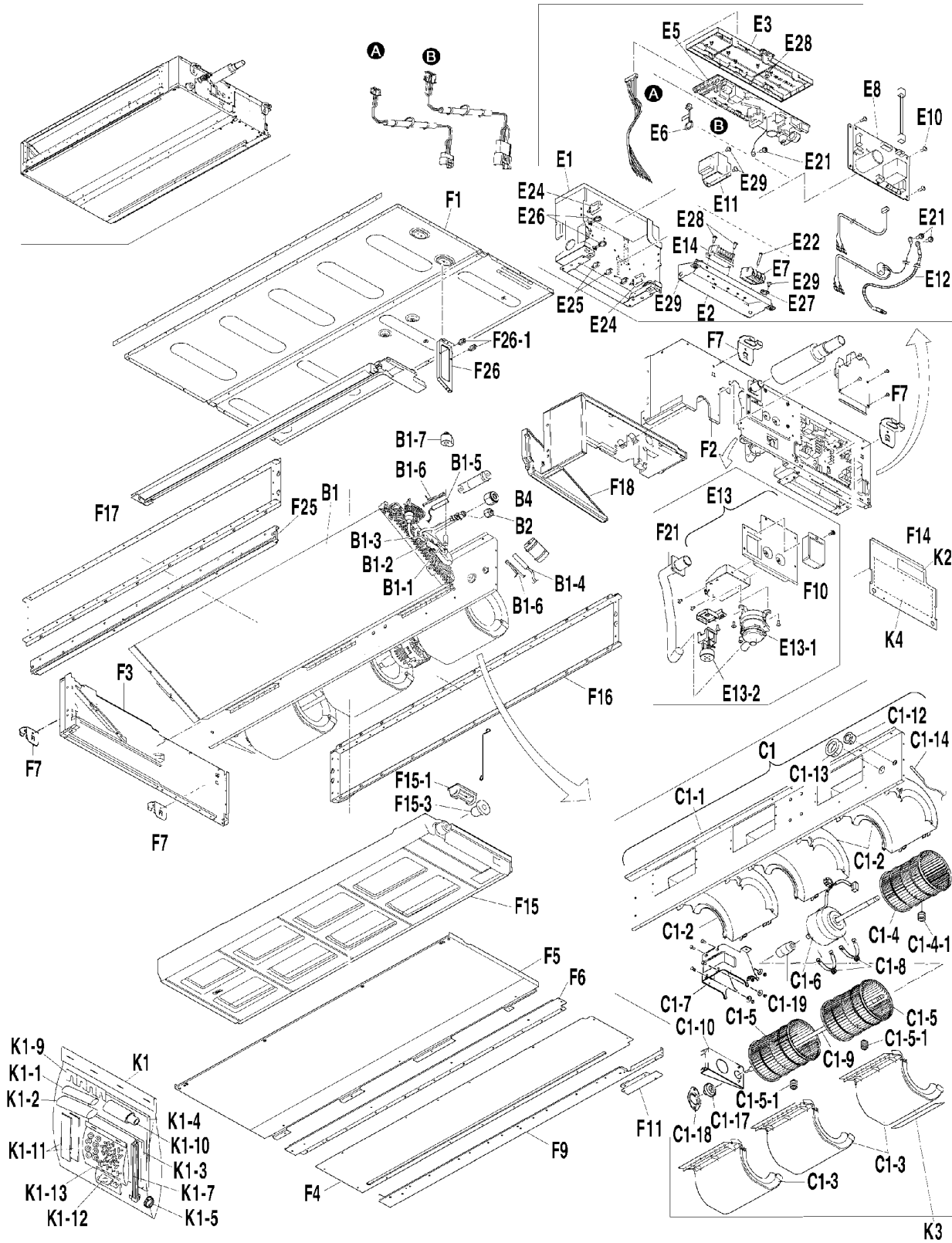
Ref #	Picture #
1	B1
2	B1-1
3	B1-2
4	B1-3
5	B1-4
6	B1-5
7	B1-6
8	B1-7
9	B2
10	B4
11	C1
12	C1-1
13	C1-2
14	C1-3
15	C1-4
16	C1-4-1
17	C1-5
18	C1-5-1
19	C1-5
20	C1-7
21	C1-8
22	C1-9
23	C1-10
24	C1-12
25	C1-13
26	C1-14
27	C1-17
28	C1-18
29	C1-19
30	E1
31	E2
32	E3
33	E5
34	E6
35	E7
36	E8
37	E10
38	E11
39	E12
40	E13
41	E13-1
42	E13-2
43	E14
44	E21
45	E22
46	E24
47	E25
48	E26
49	E27
50	E28
51	E29
52	F1
53	F2
54	F3
55	F4
56	F5
57	F6
58	F7
59	F9
60	F10
61	F11
62	F14
63	F15
64	F15-1
65	F15-3
66	F16
67	F17
68	F18
69	F21
70	F25
71	F26
72	F26-1
73	F26-1
74	K1
75	K1-1
76	K1-2
77	K1-3
78	K1-4
79	K1-5
80	K1-7
81	K1-9
82	K1-10
83	K1-11
84	K1-12
85	K1-13
86	K2
87	K3
88	K4

# FBQ[30,36]TBVJU

Ref. Part No: No:	Description:	Ref. Part No: No:	Description:						
<b>Image 1:</b>		<b>Image 1:</b>							
1	2546616 HEAT EXCHANGER ASSY. (M3, M4)	54	2546603 SIDE PLATE (LEFT) (M3, M4)						
2	2425333 BODY/ ELECTRONIC EXP. VALVE (M3, M4)	55	2261647 CHAMBER COVER (M3, M4)						
3	2141659 REFRIGERANT FILTER (M3, M4)	56	2261654 BOTTOM PLATE (M3, M4)						
4	2141666 REFRIGERANT FILTER (M3, M4)	57	2261661 BOTTOM PLATE (3) (M3, M4)						
5	2398664 THERMISTOR ASSY. (COIL) (M3, M4)	58	2261180 HOOK (M3, M4)						
6	2414528 THERMISTOR ASSY. (COIL) (M3, M4)	59	2261678 BOTTOM FRAME (M3, M4)						
7	007432J RETAINER/ THERMISTOR CLAMP (M3, M4)	60	2261205 COVER/ INSPECTION HATCH (M3, M4)						
8	4015741 COIL/ ELECTRONIC EXP. VALVE (M3, M4)	61	4015767 BOTTOM PLATE (4) (M3, M4)						
9	119848J FLARE NUT (M3, M4)	62	2261229 COVER/ SWITCH BOX (M3, M4)						
10	119850J FLARE NUT (M3, M4)	63	2546617 DRAIN PAN ASSY. (M3, M4)						
11	2550994 SIROCCO FAN ASSY. (M3, M4)	64	1985421 ANTI-BACTERIAL AGENTS ASSY. (M3, M4)						
12	2261609 FAN TOP PLATE ASSY. (M3, M4)	65	537994 CAP/ DRAIN SOCKET (M3, M4)						
13	2550989 FAN HOUSING (UPPER) (M3, M4)	66	2261685 AIR INLET FLANGE ASSY. (M3, M4)						
14	2550990 FAN HOUSING (LOWER) (M3, M4)	67	2261692 AIR OUTLET FLANGE ASSY. (M3, M4)						
15	1863716 SIROCCO ROTOR ASSY. (M3, M4)	68	2550991 THERMAL INSULATION (PARTITION) (M3, M4)						
16	011582J HEX SOCKET SCREW (M3, M4)	69	2261281 DRAIN HOSE ASSY. (M3, M4)						
17	2261616 SIROCCO ROTOR ASSY. (M3, M4)	70	4017148 FRONT STAY ASSY. (M3, M4)						
18	011582J HEX SOCKET SCREW (M3, M4)	71	4016379 MOUNTING PLATE (M3, M4)						
19	2550996 MOTOR (INDOOR FAN) (M3, M4)	72	027843J WIRE CLIP (M3, M4)						
20	4015746 MOTOR BASE (M3, M4)	73	NA ACCESSORIES ASSY. (1) (M3, M4)						
21	4007850 LOCK PLATE/ FAN MOTOR (M3, M4)	74	038187J THERMAL INSULATION TUBE (M3, M4)						
22	2270386 FAN SHAFT ASSY. (M3, M4)	75	2544361 THERMAL INSULATION TUBE (M3, M4)						
23	1876279 FAN BEARING PLATE (M3, M4)	76	4000023 SEALING MATERIAL (M3, M4)						
24	170618J BUSHING (LOW VOLTAGE) (M3, M4)	77	032284J SEALER/ DRAIN HOSE (M3, M4)						
25	144573J BUSHING (M3, M4)	78	2533760 HOSE BAND (M3, M4)						
26	2398671 THERMISTOR ASSY. (AIR) (M3, M4)	79	980773 TIE WRAP (M3, M4)						
27	2456166 FAN BEARING VIBRATION ABSORBER (M3, M4)	80	1755334 WASHER FIXING MATERIAL (M3, M4)						
28	443026J MOUNTING PLATE/ FAN BEARING (M3, M4)	81	2455745 DRAIN HOSE (M3, M4)						
29	019928J COUPLING RUBBER (M3, M4)	82	2261298 SEALING MATERIAL (M3, M4)						
30	4016363 SWITCH BOX ASSY. (M3, M4)	83	2393001 CONDUIT MOUNTING PLATE (M3, M4)						
31	2374668 SET PLATE/ IMPLEMENT USE (4) (M3, M4)	84	2550995 TRUSS HEAD TAPPING SCREW PACK (M3, M4)						
32	2374675 RESIN CASE (M3, M4)	85	2546670 CAUTION LABEL (ELECTRIC SHOCK) (M3, M4)						
33	2548334 PRINTED CIRCUIT BOARD ASSY. (CONTROL) (M3, M4)	86	4023075 CAUTION LABEL (ROTATING) (M3, M4)						
34	065337J CAPACITY SETTING ADAPTOR (M4)	87	2550992 WIRING DIAGRAM LABEL (M3, M4)						
34	066965J CAPACITY SETTING ADAPTOR (M3)	<b>Expanded Model Nomenclature</b>							
35	2395519 TERMINAL BLOCK (M3, M4)	<table border="1"> <tr> <td>M1 - FBQ18TBVJU</td> </tr> <tr> <td>M2 - FBQ24TBVJU</td> </tr> <tr> <td>M3 - FBQ30TBVJU</td> </tr> <tr> <td>M4 - FBQ36TBVJU</td> </tr> <tr> <td>M5 - FBQ42TBVJU</td> </tr> <tr> <td>M6 - FBQ48TBVJU</td> </tr> </table>		M1 - FBQ18TBVJU	M2 - FBQ24TBVJU	M3 - FBQ30TBVJU	M4 - FBQ36TBVJU	M5 - FBQ42TBVJU	M6 - FBQ48TBVJU
M1 - FBQ18TBVJU									
M2 - FBQ24TBVJU									
M3 - FBQ30TBVJU									
M4 - FBQ36TBVJU									
M5 - FBQ42TBVJU									
M6 - FBQ48TBVJU									
36	2548335 PRINTED CIRCUIT BOARD ASSY. (FAN) (M3, M4)								
37	042425J TRUSS HEAD TAPPING SCREW (M3, M4)								
38	2397940 REACTOR (M3, M4)								
39	2261072 EARTH WIRE (M3, M4)								
40	4015731 SERVICE LID ASSY. (M3, M4)								
41	2261089 MOTOR (DRAIN PUMP) (M3, M4)								
42	2534708 FLOAT SWITCH ASSY. (M3, M4)								
43	2002033 TERMINAL BLOCK (REMOTE CONTROLLER) (M3, M4)								
44	113783J TAPPING SCREW (M3, M4)								
45	174888J PAN HEAD TAPPING SCREW (M3, M4)								
46	352004 WIRE CLIP (M3, M4)								
47	027843J WIRE CLIP (M3, M4)								
48	1855164 HARNESS LIFTER (M3, M4)								
49	0816755 RESIN CLAMP (M3, M4)								
50	109688J TRUSS HEAD TAPPING SCREW (M3, M4)								
51	121072J CROSS-RECESSED TAPPING SCREW (M3, M4)								
52	2261630 TOP PLATE ASSY. (M3, M4)								
53	2261135 SIDE PLATE (RIGHT) (M3, M4)								

# FBQ[42,48]TBVJU

FBQ42TBVJU / FBQ48TBVJU



Picture Key

Ref #	Picture #
1	B1
2	B1-1
3	B1-2
4	B1-3
5	B1-4
6	B1-5
7	B1-6
8	B1-7
9	B2
10	B4
11	C1
12	C1-1
13	C1-2
14	C1-3
15	C1-4
16	C1-4-1
17	C1-5
18	C1-5-1
19	C1-6
20	C1-7
21	C1-8
22	C1-9
23	C1-10
24	C1-12
25	C1-13
26	C1-14
27	C1-17
28	C1-18
29	C1-19
30	E1
31	E2
32	E3
33	E5
34	E6
35	E7
36	E8
37	E10
38	E11
39	E12
40	E13
41	E13-1
42	E13-2
43	E14
44	E21
45	E22
46	E24
47	E25
48	E26
49	E27
50	E28
51	E29
52	F1
53	F2
54	F3
55	F4
56	F5
57	F6
58	F7
59	F9
60	F10
61	F11
62	F14
63	F15
64	F15-1
65	F15-3
66	F16
67	F17
68	F18
69	F21
70	F25
71	F26
72	F26-1
73	K1
74	K1-1
75	K1-2
76	K1-3
77	K1-4
78	K1-5
79	K1-7
80	K1-9
81	K1-10
82	K1-11
83	K1-12
84	K1-13
85	K2
86	K3
87	K4

# FBQ[42,48]TBVJU

Ref. Part No:	Part No:	Description:	Ref. Part No:	Part No:	Description:						
<b>Image 1:</b>			<b>Image 1:</b>								
1	2546619	HEAT EXCHANGER ASSY. (M5, M6)	54	2546603	SIDE PLATE (LEFT) (M5, M6)						
2	2425333	BODY/ ELECTRONIC EXP. VALVE (M5, M6)	55	2261647	CHAMBER COVER (M5, M6)						
3	2141659	REFRIGERANT FILTER (M5, M6)	56	2261654	BOTTOM PLATE (M5, M6)						
4	2141666	REFRIGERANT FILTER (M5, M6)	57	2261661	BOTTOM PLATE (3) (M5, M6)						
5	2398664	THERMISTOR ASSY. (COIL) (M5, M6)	58	2261180	HOOK (M5, M6)						
6	2414528	THERMISTOR ASSY. (COIL) (M5, M6)	59	2261678	BOTTOM FRAME (M5, M6)						
7	007432J	RETAINER/ THERMISTOR CLAMP (M5, M6)	60	2261205	COVER/ INSPECTION HATCH (M5, M6)						
8	4015741	COIL/ ELECTRONIC EXP. VALVE (M5, M6)	61	4015767	BOTTOM PLATE (4) (M5, M6)						
9	119848J	FLARE NUT (M5, M6)	62	2261229	COVER/ SWITCH BOX (M5, M6)						
10	119850J	FLARE NUT (M5, M6)	63	2546617	DRAIN PAN ASSY. (M5, M6)						
11	2550994	SIROCCO FAN ASSY. (M5, M6)	64	1985421	ANTI-BACTERIAL AGENTS ASSY. (M5, M6)						
12	2261609	FAN TOP PLATE ASSY. (M5, M6)	65	537994	CAP/ DRAIN SOCKET (M5, M6)						
13	2550989	FAN HOUSING (UPPER) (M5, M6)	66	2261685	AIR INLET FLANGE ASSY. (M5, M6)						
14	2550990	FAN HOUSING (LOWER) (M5, M6)	67	2261692	AIR OUTLET FLANGE ASSY. (M5, M6)						
15	1863716	SIROCCO ROTOR ASSY. (M5, M6)	68	2550991	THERMAL INSULATION (PARTITION) (M5, M6)						
16	011582J	HEX SOCKET SCREW (M5, M6)	69	2261281	DRAIN HOSE ASSY. (M5, M6)						
17	2261616	SIROCCO ROTOR ASSY. (M5, M6)	70	4017148	FRONT STAY ASSY. (M5, M6)						
18	011582J	HEX SOCKET SCREW (M5, M6)	71	4016379	MOUNTING PLATE (M5, M6)						
19	2550996	MOTOR (INDOOR FAN) (M5, M6)	72	027843J	WIRE CLIP (M5, M6)						
20	4015746	MOTOR BASE (M5, M6)	73	NA	ACCESSORIES ASSY. (1) (M5, M6)						
21	4007850	LOCK PLATE/ FAN MOTOR (M5, M6)	74	038187J	THERMAL INSULATION TUBE (M5, M6)						
22	2270386	FAN SHAFT ASSY. (M5, M6)	75	2544361	THERMAL INSULATION TUBE (M5, M6)						
23	1876279	FAN BEARING PLATE (M5, M6)	76	4000023	SEALING MATERIAL (M5, M6)						
24	170618J	BUSHING (LOW VOLTAGE) (M5, M6)	77	032284J	SEALER/ DRAIN HOSE (M5, M6)						
25	144573J	BUSHING (M5, M6)	78	2533760	HOSE BAND (M5, M6)						
26	2398671	THERMISTOR ASSY. (AIR) (M5, M6)	79	980773	TIE WRAP (M5, M6)						
27	2456166	FAN BEARING VIBRATION ABSORBER (M5, M6)	80	1755334	WASHER FIXING MATERIAL (M5, M6)						
28	443026J	MOUNTING PLATE/ FAN BEARING (M5, M6)	81	2455745	DRAIN HOSE (M5, M6)						
29	019928J	COUPLING RUBBER (M5, M6)	82	2261298	SEALING MATERIAL (M5, M6)						
30	4016363	SWITCH BOX ASSY. (M5, M6)	83	2393001	CONDUIT MOUNTING PLATE (M5, M6)						
31	2374668	SET PLATE/ IMPLEMENT USE (4) (M5, M6)	84	2550995	TRUSS HEAD TAPPING SCREW PACK (M5, M6)						
32	2374675	RESIN CASE (M5, M6)	85	2546670	CAUTION LABEL (ELECTRIC SHOCK) (M5, M6)						
33	2548334	PRINTED CIRCUIT BOARD ASSY. (CONTROL) (M5, M6)	86	4023075	CAUTION LABEL (ROTATING) (M5, M6)						
34	065338J	CAPACITY SETTING ADAPTOR (M6)	87	2550992	WIRING DIAGRAM LABEL (M5, M6)						
34	069706J	CAPACITY SETTING ADAPTOR (M5)	<b>Expanded Model Nomenclature</b>								
35	2395519	TERMINAL BLOCK (M5, M6)	<table border="1"> <tr> <td>M1 - FBQ18TBVJU</td> </tr> <tr> <td>M2 - FBQ24TBVJU</td> </tr> <tr> <td>M3 - FBQ30TBVJU</td> </tr> <tr> <td>M4 - FBQ36TBVJU</td> </tr> <tr> <td>M5 - FBQ42TBVJU</td> </tr> <tr> <td>M6 - FBQ48TBVJU</td> </tr> </table>			M1 - FBQ18TBVJU	M2 - FBQ24TBVJU	M3 - FBQ30TBVJU	M4 - FBQ36TBVJU	M5 - FBQ42TBVJU	M6 - FBQ48TBVJU
M1 - FBQ18TBVJU											
M2 - FBQ24TBVJU											
M3 - FBQ30TBVJU											
M4 - FBQ36TBVJU											
M5 - FBQ42TBVJU											
M6 - FBQ48TBVJU											
36	2548335	PRINTED CIRCUIT BOARD ASSY. (FAN) (M5, M6)									
37	042425J	TRUSS HEAD TAPPING SCREW (M5, M6)									
38	2397940	REACTOR (M5, M6)									
39	2261072	EARTH WIRE (M5, M6)									
40	4015731	SERVICE LID ASSY. (M5, M6)									
41	2261089	MOTOR (DRAIN PUMP) (M5, M6)									
42	2534708	FLOAT SWITCH ASSY. (M5, M6)									
43	2002033	TERMINAL BLOCK (REMOTE CONTROLLER) (M5, M6)									
44	113783J	TAPPING SCREW (M5, M6)									
45	174888J	PAN HEAD TAPPING SCREW (M5, M6)									
46	352004	WIRE CLIP (M5, M6)									
47	027843J	WIRE CLIP (M5, M6)									
48	1855164	HARNESS LIFTER (M5, M6)									
49	0816755	RESIN CLAMP (M5, M6)									
50	109688J	TRUSS HEAD TAPPING SCREW (M5, M6)									
51	121072J	CROSS-RECESSED TAPPING SCREW (M5, M6)									
52	2261630	TOP PLATE ASSY. (M5, M6)									
53	2261135	SIDE PLATE (RIGHT) (M5, M6)									