

## DZ20VC Heat Pump Inverter

DZ20VC0241BA

DZ20VC0361BA

DZ20VC0481BA

DZ20VC0601BA



This manual is to be used by qualified technicians only.

This manual replaces RP-D4034.

© 2016 , 2019 **DAIKIN MANUFACTURING COMPANY, L.P** ♦ 5151 San Felipe St, Suite 500 ♦ Houston, TX 77056

# Important Information

---

## Index

Functional Parts List .....	3
Illustration and Parts .....	4 - 13

*Views shown are for parts illustrations only, not servicing procedures.*

### Text Codes:

AR - As Required

NA - Not Available

NS - Not Shown

00000000 - See Note

QTY - Quantity Example (QTY 3) (If Quantity not shown, Quantity = 1)

M - Model Example (M1) (If M Code not shown, then part is used on all Models)

### Expanded Model Nomenclature:

Example
M1 - Model#1
M2 - Model#2
M3 - Model#3

Daikin Manufacturing Company, L.P. is not responsible for personal injury or property damage resulting from improper service. Review all service information before beginning repairs.

Warranty service must be performed by an authorized technician, using authorized factory parts. If service is required after the warranty expires, Daikin Manufacturing Company, L.P. also recommends contacting an authorized technician and using authorized factory parts.

Daikin Manufacturing Company, L.P. reserves the right to discontinue, or change at any time, specifications or designs without notice or without incurring obligations.

For assistance within the U.S.A. contact:

Homeowner Support  
Daikin North America, LLC  
19001 Kermier Road  
Waller, Texas 77484  
855-770-5678-Telephone  
713-863-2382-Facsimile

For assistance outside the U.S.A. contact:

International Division  
Daikin North America, LLC  
19001 Kermier Road  
Waller, Texas 77484  
713-861-2500-Telephone  
713-863-2382-Facsimile

# Functional Parts

## Part

## No: Description:

---

0151R00097	3/4" BALL VALVE (M1)
0151R00081	7/8" BALL VALVE (M2, M3, M4)
0151L00019	ACCUMULATOR (M1)
0151L00020	ACCUMULATOR (M2, M3)
0151L00021	ACCUMULATOR (M4)
0151R00078	BASE VALVE 3/8"
3E600193-1	CAPACITOR (M4)
3SA27018-1	CHECK VALVE (M1)
4SA27006-1	CHECK VALVE
0156R00006	COMPRESSOR 2YC36MXD (M1)
0156R00008	COMPRESSOR 2YC90FXD (M2, M3)
0156R00005	COMPRESSOR JT100GCVDW@SB (M4)
3P130357-15	CRANKCASE HEATER (M4)
3EA74081-1	CURRENT SENSOR, CHR-6Z-E-X (M4)
3P356931-1	FAN MOTOR
R3269031-3	FILTER, OIL SEPARATOR
3P381424-2	HIGH PRESSURE SWITCH
2P346080-1	NF PCB (M2, M3, M4)
3P357142-1	OIL SEPARATOR
0272R00985	PCB ASSY (M1)
0272R00988	PCB ASSY (M2)
0272R00991	PCB ASSY (M3)
0272R00997	PCB ASSY (M4)
2P361564-1	PCB, FAN DRIVE, INVERTER (M4)
3E750074-1	POWER CONDITIONER (M1)
3P362914-1	POWER CONDITIONER (M4)
3S481010-1	PRESSURE SENSOR
3S500032-1	Pulse Motor Expans EEV (M1)
3S500031-1	Pulse Motor Expans EEV (M2, M3, M4)
0151R00101	REVERSING VALVE (M2, M3, M4)
0151R00099	REVERSING VALVE (M1)
0130M00186	TERMINAL BLOCK
3P381576-1	THERMISTOR AMBIENT
3P381575-1	THERMISTOR ASSY
0130M00187	TRANSFORMER

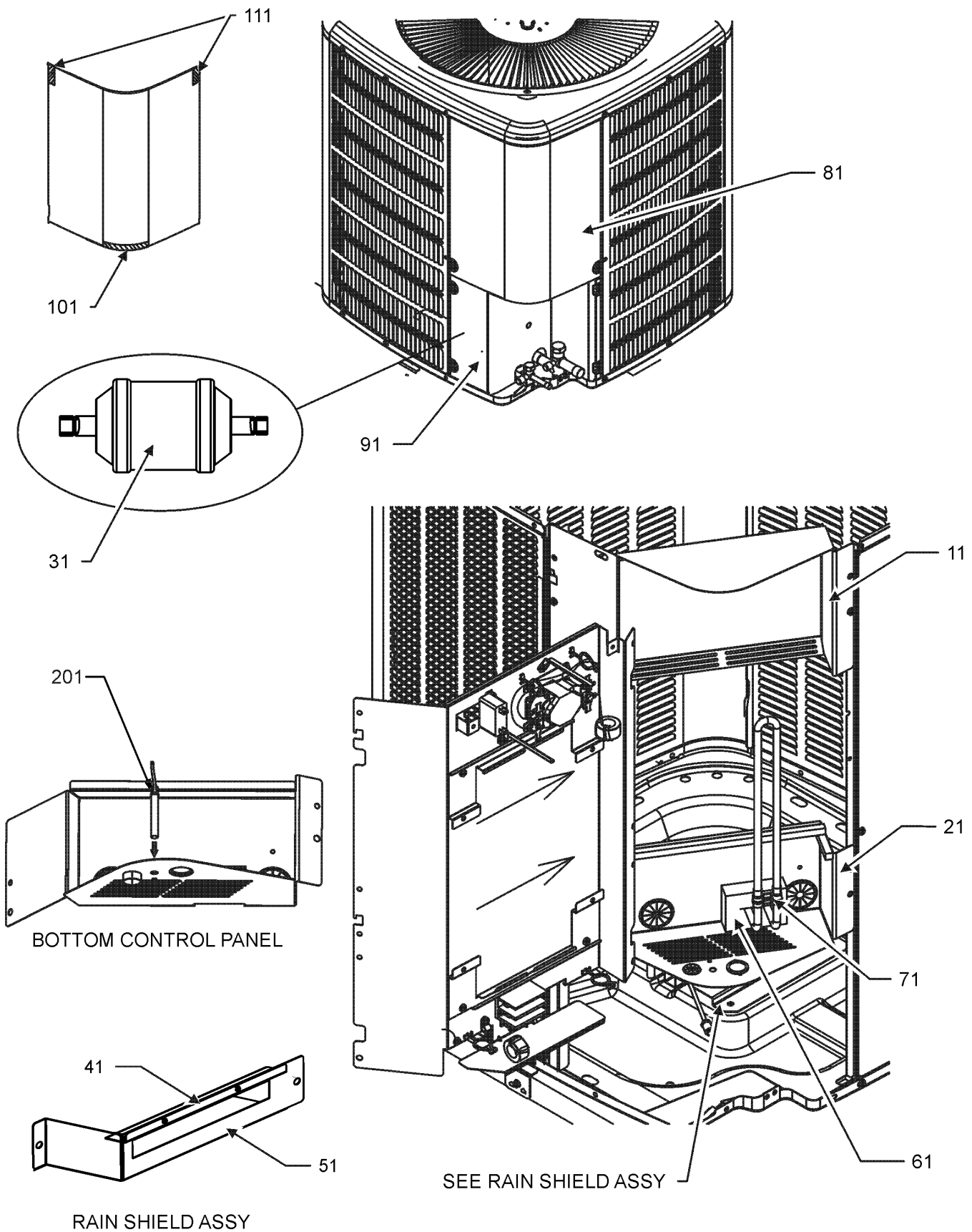
### SPECIAL PARTS

0161R00038	GRILL CAP
0161R00036	NAMEPLATE, DAIKIN
117269J	THERMAL GREASE

### Expanded Model Nomenclature

M1 - DZ20VC0241BA
M2 - DZ20VC0361BA
M3 - DZ20VC0481BA
M4 - DZ20VC0601BA

# Control Assy



# Control Assy

Ref. Part No:	No:	Description:	Ref. Part No:	No:	Description:
---------------	-----	--------------	---------------	-----	--------------

---

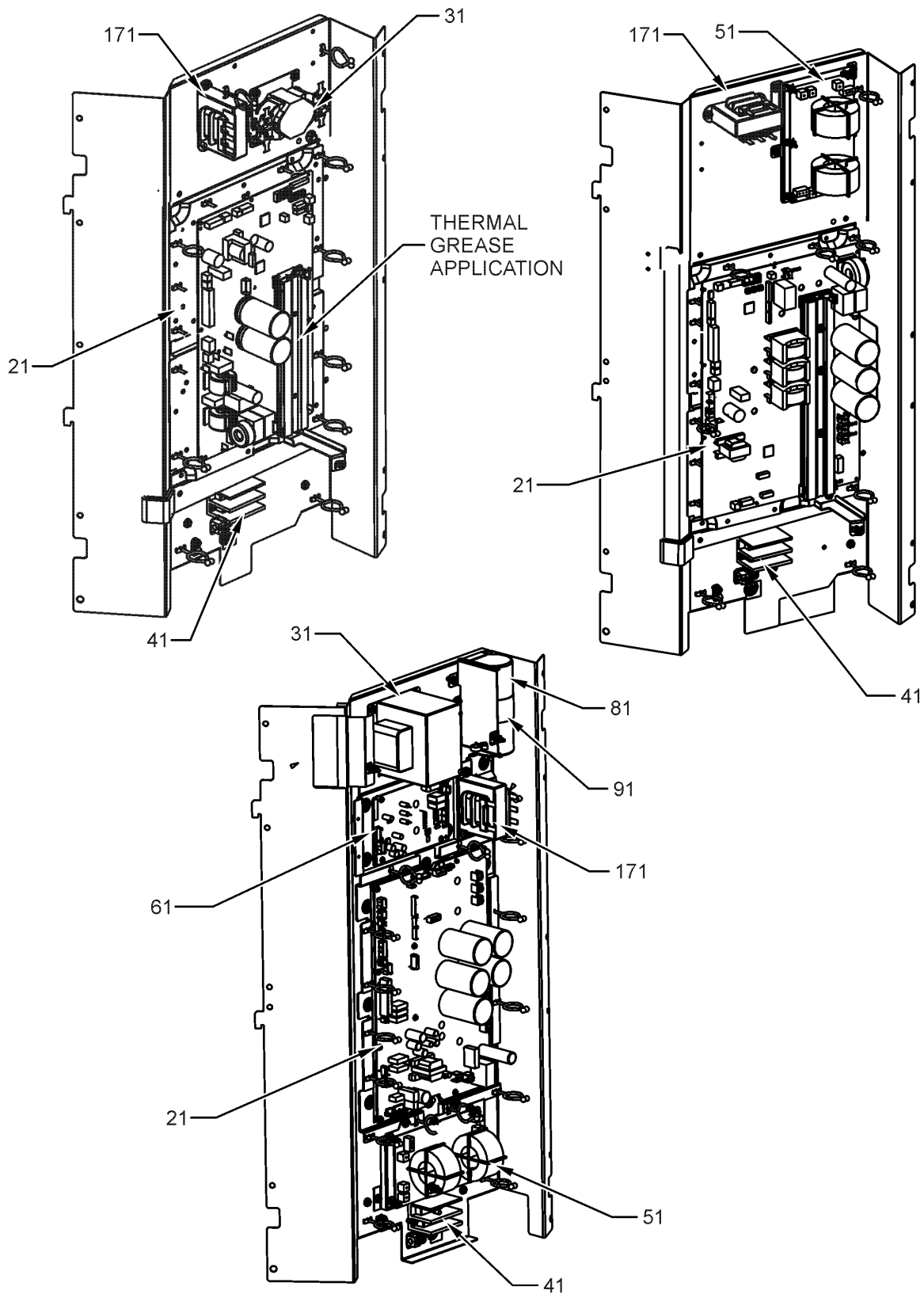
**Image 1:**

11	0121R00519PNG	TOP CONTROL PANEL (M4)
11	0272R01007PNG	TOP CONTROL PANEL (M1, M2, M3)
21	0121R00521PNG	PANEL, CONTROL BOTTOM, PTD
31	20485201	BI-FLOW FILTER DRIER
41	0121R00562	RAIN SHIELD COVER
51	0121R00563	Rain shield bracket
61	0154R00016	GASKET - CONTROL PANEL
71	4P305027-1	COOLING LOOP SEPARATOR (M1, M2, M3)
81	0121R00380PNG	CONTROL COVER (M1)
81	0121R00517PNG	CONTROL COVER (M2, M3, M4)
91	0121R00379PNG	PANEL, LOWER ACCESS
101	0154R00023	GASKET, CONTROL PANEL COVER
111	0154R00017	GASKET - CONTROL PANEL (QTY 2)
201	3P381576-1	THERMISTOR AMBIENT
NS	0121R00572	CONTROL PANEL BRACKET (M1, M2, M3)
NS	0154R00015	GASKET - TOP CONTROL PANEL (QTY 2)
NS	0161R00038	GRILL CAP
NS	0161R00036	NAMEPLATE, DAIKIN

**Expanded Model Nomenclature**

M1 - DZ20VC0241BA
M2 - DZ20VC0361BA
M3 - DZ20VC0481BA
M4 - DZ20VC0601BA

# Control Panels



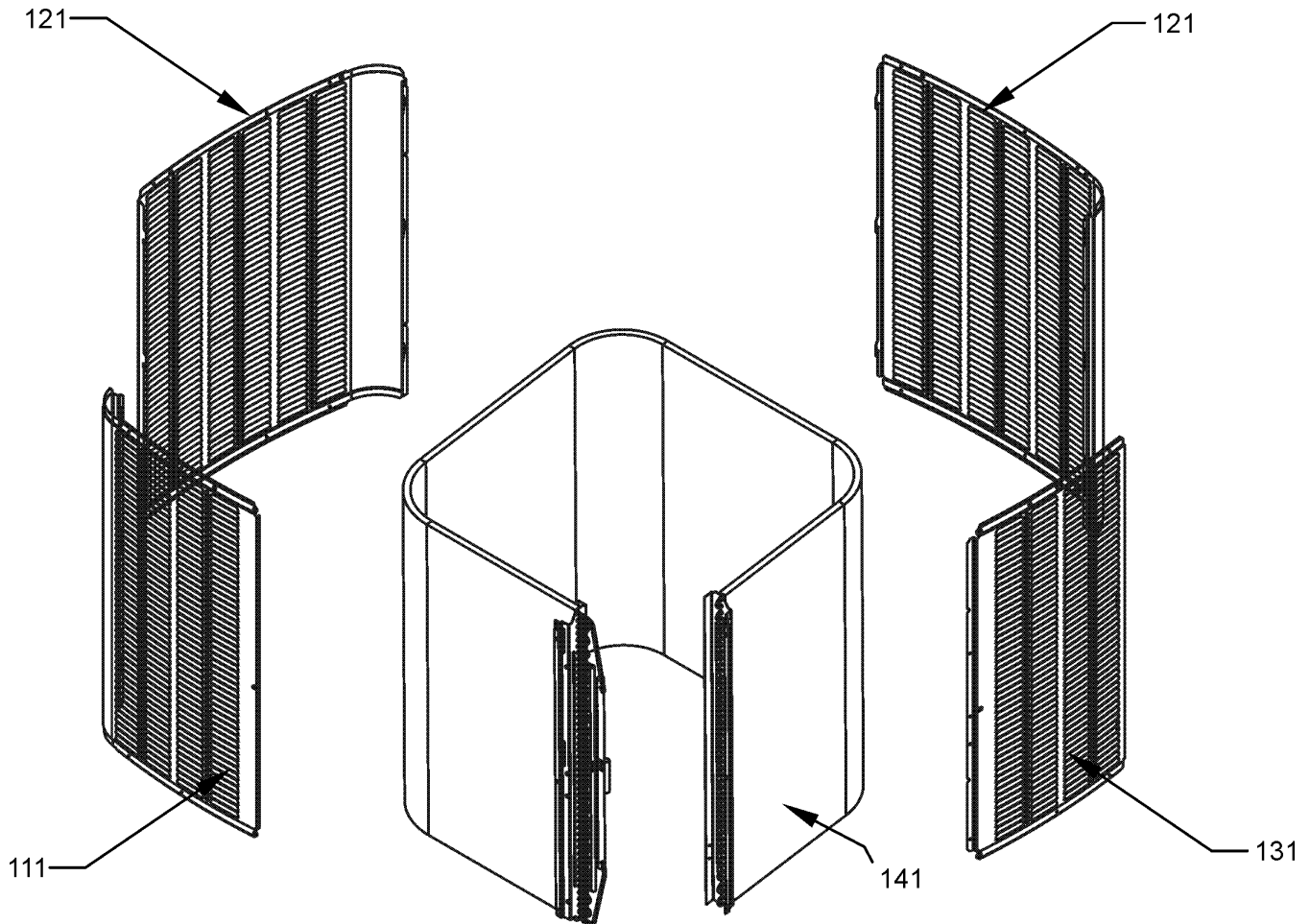
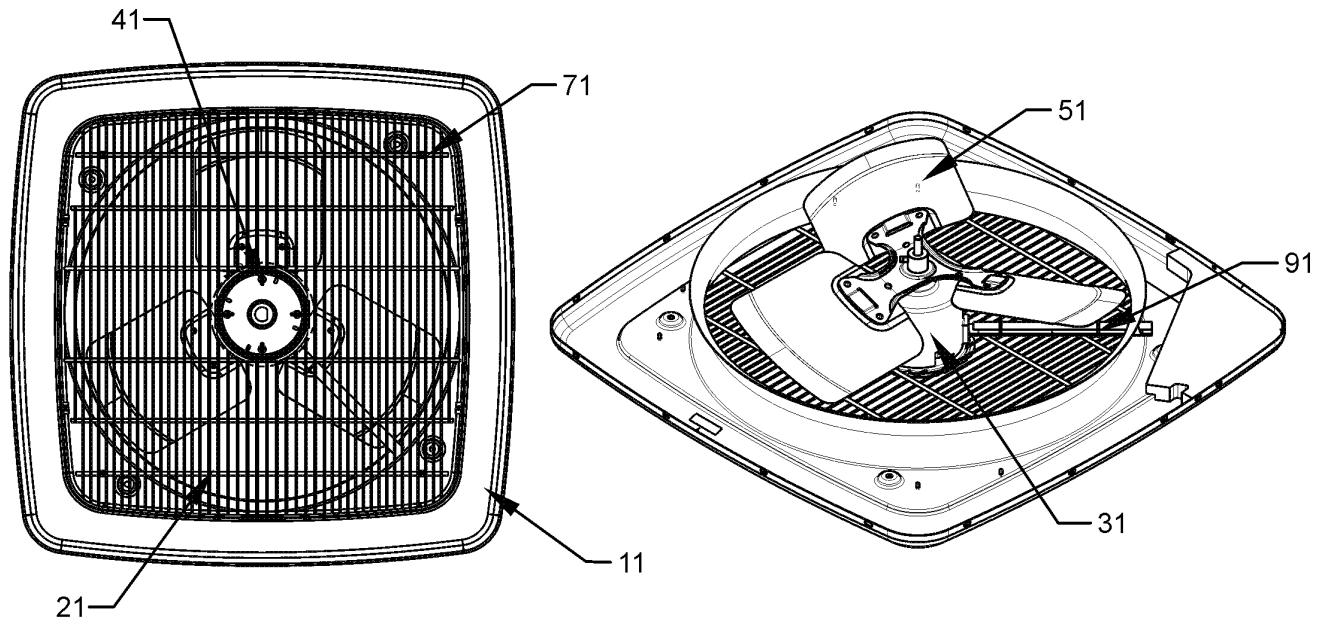
# Control Panels

Ref. Part No:	Ref. Part No:	Description:	Description:
<b>Image 1:</b>			
21	0272R00985	PCB ASSY (M1)	
21	0272R00988	PCB ASSY (M2)	
21	0272R00991	PCB ASSY (M3)	
21	0272R00997	PCB ASSY (M4)	
31	3E750074-1	POWER CONDITIONER (M1)	
31	3P362914-1	POWER CONDITIONER (M4)	
41	0130M00186	TERMINAL BLOCK	
51	2P346080-1	NF PCB (M2, M3, M4)	
61	2P361564-1	PCB, FAN DRIVE, INVERTER (M4)	
81	3E600193-1	CAPACITOR (M4)	
91	4P171335-1	CAPACITOR STRAP (M4)	
171	0130M00187	TRANSFORMER	
NS	3EA74081-1	CURRENT SENSOR, CHR-6Z-E-X (M4)	
NS	3P263839-1	FERRITE CORE	
NS	0163M00075	FLANGE NUT, SERRATED	
NS	0154R00026	GASKET - CONTROL PANEL	
NS	0154R00018	GASKET- MOUNTING PANEL (M1, M2, M3)	
NS	0154R00019	GASKET- MOUNTING PANEL (M1, M2, M3)	
NS	0154R00024	GASKET, CONTROL PANEL (M4)	
NS	0154R00025	GASKET, CONTROL PANEL (M4)	
NS	0163M00092	SCREW, HWH, 10-24X.500,BZ,SLOT	
NS	0130M00571	Shared data (M1)	
NS	0130M00572	Shared data (M2)	
NS	0130M00573	Shared data (M3)	
NS	0130M00574	Shared data (M4)	
NS	117269J	THERMAL GREASE	
NS	3P381575-1	THERMISTOR ASSY	
NS	0130M00210	WIRE HARNESS (M2, M3)	
NS	0130M00211	WIRE HARNESS (M2, M3)	
NS	0130M00212	WIRE HARNESS (M4)	
NS	0130M00213	WIRE HARNESS (M4)	
NS	0130M00214	WIRE HARNESS (M4)	
NS	0130M00215	WIRE HARNESS (M4)	
NS	0130M00217	WIRE HARNESS (M4)	
NS	0130M00218	WIRE HARNESS (M4)	
NS	0130M00219	WIRE HARNESS (M4)	
NS	0130M00220	WIRE HARNESS (M1)	
NS	0130M00221	WIRE HARNESS (M1)	
NS	0130M00222	WIRE HARNESS (M1)	
NS	0130M00223	WIRE HARNESS (M1, M2, M3)	
NS	0130M00227	WIRE HARNESS	
NS	0130M00188	WIRE HARNESS ASSY (M2, M3)	
NS	0130M00194	WIRE HARNESS ASSY (M1)	
NS	0130M00195	WIRE HARNESS ASSY (M2, M3)	
NS	0130M00200	WIRE HARNESS ASSY (M4)	
NS	0130M00201	WIRE HARNESS ASSY (M4)	
NS	0130M00202	WIRE HARNESS ASSY (M4)	
NS	0130M00206	WIRE HARNESS ASSY (M1)	
NS	0130M00200	WRE HARNESS ASSY (M4)	

## Expanded Model Nomenclature

M1 - DZ20V C0241BA
M2 - DZ20V C0361BA
M3 - DZ20V C0481BA
M4 - DZ20V C0601BA

# Top and Side Panels



# Top and Side Panels

Ref. Part No:	No:	Description:	Ref. Part No:	No:	Description:
---------------	-----	--------------	---------------	-----	--------------

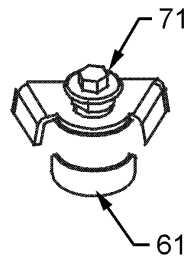
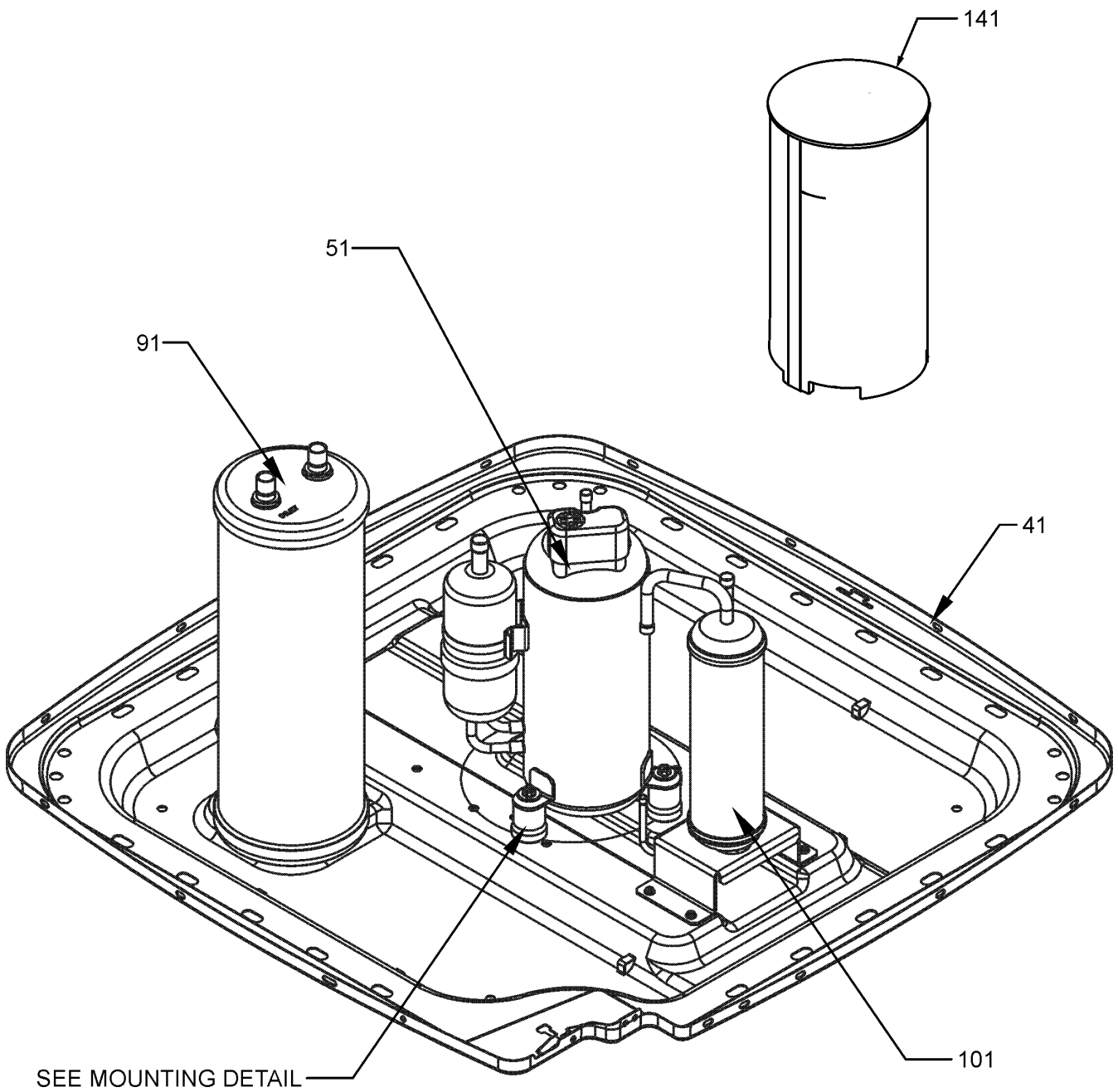
**Image 1:**

11	0121R00013PNG	PANEL, VENTURI 35"
21	0152R00014	GRILLE, WIRE 35" TOP
31	3P356931-1	FAN MOTOR
41	M0280801	HEX NUT (QTY 4)
51	10625738	FAN BLADE 26" ALUM CCW
71	0163M00003P	SCREW #10 X 1/2, A, SLOT, SR, BLACK (QTY 8)
91	0163M00221	CONDUIT, FLEXIBLE
111	0121R00363NGB	PANEL 1, BENT LOUVER ASSY (M1)
111	0121R00513NGB	PANEL 1, BENT LOUVER ASSY (M2, M3, M4)
121	0121R00514PNGB	PANEL 2, BENT LOUVER 35_39.84 (M2, M3, M4)
121	0121R00364NGB	PANEL 2, BENT LOUVER ASSY (M1)
131	0121R00365NG	PANEL 3, PAINTED LOUVER 35 (M1)
131	0121R00515NG	PANEL 3, PAINTED LOUVER 35 (M2, M3, M4)
141	0201R00505	COIL TBG, 36.38xL, 22mm CTC (M1)
141	0201R00550	COIL TBG, 39.85xL .22mm CTC (M4)
141	0201R00508	COIL TBG, 39.85xL, 22mm CTC (M2, M3)
NS	0121R00480	ADAPTER PLATE (M1)
NS	0121R00482	ADAPTER PLATE (M2, M3, M4)

**Expanded Model Nomenclature**

M1 - DZ20VC0241BA
M2 - DZ20VC0361BA
M3 - DZ20VC0481BA
M4 - DZ20VC0601BA

# Base Pan and Compressor Assy



MOUNTING  
DETAIL

# Base Pan and Compressor Assy

Ref. Part No:	No:	Description:	Ref. Part No:	No:	Description:
---------------	-----	--------------	---------------	-----	--------------

---

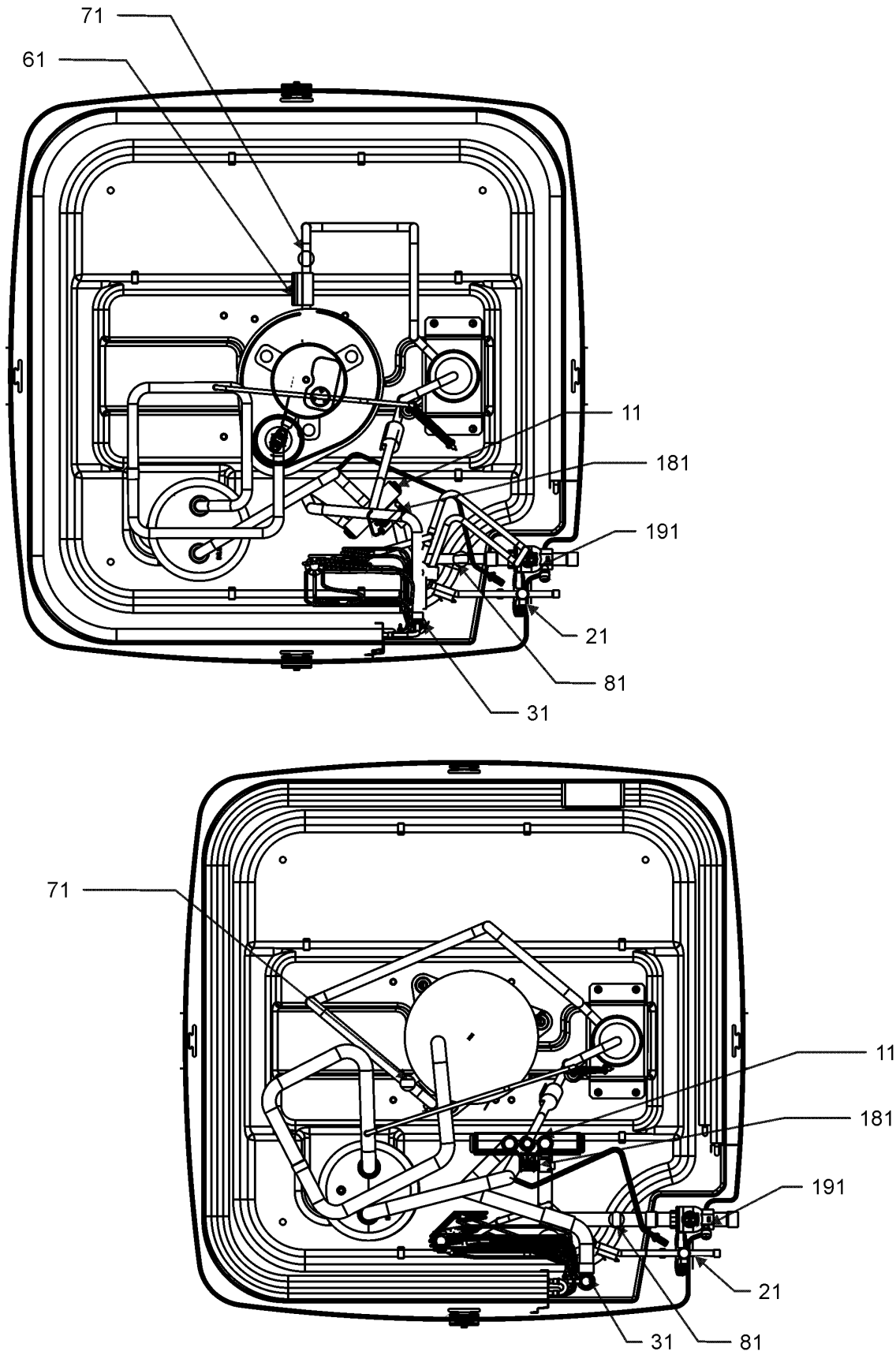
## Image 1:

41	0121R00007PNG	BASE PAN, 35.5"
51	0156R00006	COMPRESSOR 2YC36MXD (M1)
51	0156R00008	COMPRESSOR 2YC90FXD (M2, M3)
51	0156R00005	COMPRESSOR JT100GCVDW@SB (M4)
61	0164M00027	RUBBER GROMMET (M2, M3, M4)
61	0164M00028	RUBBER GROMMET (M1)
71	0163R00018	SCREW-SHOULDER TF (M2, M3, M4)
71	0163R00020	SCREW-SHOULDER TF (M1)
91	0151L00019	ACCUMULATOR (M1)
91	0151L00020	ACCUMULATOR (M2, M3)
91	0151L00021	ACCUMULATOR (M4)
101	3P357142-1	OIL SEPARATOR
141	0160M00007	COMPRESSOR BLANKET (M1)
141	0160M00008	COMPRESSOR BLANKET (M2, M3)
141	0160M00009	COMPRESSOR BLANKET (M4)
NS	0163R00023	ACCUMULATOR, NUT
NS	0159R00012	COMPRESSOR WIRE HARNESS (M1)
NS	0159R00013	COMPRESSOR WIRE HARNESS (M2, M3)
NS	0159R00014	COMPRESSOR WIRE HARNESS (M4)
NS	3P130357-15	CRANKCASE HEATER (M4)
NS	R3269031-3	FILTER, OIL SEPARATOR

## Expanded Model Nomenclature

M1 - DZ20V C0241BA
M2 - DZ20V C0361BA
M3 - DZ20V C0481BA
M4 - DZ20V C0601BA

# Tubing Assy



# Tubing Assy

Ref. Part No:	No:	Description:	Ref. Part No:	No:	Description:
<b>Image 1:</b>					
11	0151R00099	REVERSING VALVE (M1)			
11	0151R00101	REVERSING VALVE (M2, M3, M4)			
21	0151R00078	BASE VALVE 3/8"			
31	3P381420-1	EV COIL (M2, M3, M4)			
31	3P381421-1	EV COIL (M1)			
61	4PA17856-4	THERMISTOR HOUSING TUBE			
71	3P381424-2	HIGH PRESSURE SWITCH			
81	3S481010-1	PRESSURE SENSOR			
181	0130M00224	REVERSING VALVE CABLE			
191	0151R00097	3/4" BALL VALVE (M1)			
191	0151R00081	7/8" BALL VALVE (M2, M3, M4)			
NS	0163M00175	CAP WITH O-RING			
NS	3SA27018-1	CHECK VALVE (M1)			
NS	4SA27006-1	CHECK VALVE			
NS	4SA27011-1	CHECK VALVE (M2, M3)			
NS	4PA38890-1	MOUNTING SPRING, THERMISTOR (QTY 4)			
NS	R3269031-3	OIL RETURN FILTER			
NS	R3269031-7	OIL RETURN FILTER (QTY 2)			
NS	3S500031-1	Pulse Motor Expans EEV (M2, M3, M4)			
NS	3S500032-1	Pulse Motor Expans EEV (M1)			
NS	B1787000	VALVE CORE			

## Expanded Model Nomenclature

M1 - DZ20V C0241BA
M2 - DZ20V C0361BA
M3 - DZ20V C0481BA
M4 - DZ20V C0601BA