
DZ18VC Heat Pump Inverter

DZ18VC0241AC
DZ18VC0241AD
DZ18VC0361AC
DZ18VC0361AD
DZ18VC0481AC
DZ18VC0481AD
DZ18VC0601AC
DZ18VC0601AD



This manual is to be used by qualified technicians only.

This manual replaces RP-D4327.

© 2018 **DAIKIN MANUFACTURING COMPANY, L.P.** ♦ 5151 San Felipe St., Suite 500 ♦ Houston, TX 77056

Important Information

Index

Functional Parts List	3
Illustration and Parts	4 - 13

Views shown are for parts illustrations only, not servicing procedures

Text Codes:

AR - As Required

NA - Not Available

NS - Not Shown

00000000 - See Note

QTY - Quantity Example (QTY 3) (If Quantity not shown, Quantity = 1)

M - Model Example (M1) (If M Code not shown, then part is used on all Models)

Expanded Model Nomenclature:

Example M1 - Model#1 M2 - Model#2 M3 - Model#3

Daikin Manufacturing Company, L.P. is not responsible for personal injury or property damage resulting from improper service. Review all service information before beginning repairs.

Warranty service must be performed by an authorized technician, using authorized factory parts. If service is required after the warranty expires, Daikin Manufacturing Company, L.P. also recommends contacting an authorized technician and using authorized factory parts.

Daikin Manufacturing Company, L.P. reserves the right to discontinue, or change at any time, specifications or designs without notice or without incurring obligations.

For assistance within the U.S.A. contact:

Homeowner Support
Daikin North America, LLC
19001 Kermier Road
Waller, Texas 77484
855-770-5678-Telephone
713-863-2382-Facsimile

For assistance outside the U.S.A. contact:

International Division
Daikin North America, LLC
19001 Kermier Road
Waller, Texas 77484
713-861-2500-Telephone
713-863-2382-Facsimile

Functional Parts

Part

No: Description:

0151L00017	ACCUMULATOR (M5, M6, M7, M8)
0151L00016	ACCUMULATOR, 2T/3T (M1, M2, M3, M4)
0151R00079	BASE VALVE 3/4" (M1, M2)
0151R00167	BASE VALVE 3/8"
0151R00080	BASE VALVE 7/8" (M3, M4, M5, M6, M7, M8)
4SA27011-1	CHECK VALVE (M3, M4, M5, M6, M7, M8)
4SA27006-1	CHECK VALVE (M1, M2, M5, M6, M7, M8)
3SA27018-1	CHECK VALVE (M1, M2, M3, M4)
0156R00006	COMPRESSOR 2YC36MXD (M1, M2)
0156R00007	COMPRESSOR 2YC63TXD (M3, M4)
0156R00008	COMPRESSOR 2YC90FXD (M5, M6, M7, M8)
10625738	FAN BLADE 26" ALUM C CW (M5, M6, M7, M8)
B1086765	FAN BLADE TYPE 3 (M1, M2, M3, M4)
3S463002-5	FAN CAPACITOR (M1, M2, M3, M4, M5, M6)
3P381424-2	HIGH PRESSURE SWITCH
3P386786-1	PCB, INVERTER, 2T HP (M1, M2)
3P386786-5	PCB, INVERTER, 2YC90 (M5, M6, M7, M8)
3P386786-3	PCB, INVERTER, 3T HP (M3, M4)
3E750074-1	POWER CONDITIONER (M1, M2, M3, M4, M5, M6)
3S481010-1	PRESSURE SENSOR
0151R00110	REVERSING VALVE (M3, M4)
0151R00109	REVERSING VALVE (M1, M2)
0151R00111	REVERSING VALVE (M5, M6, M7, M8)
3P387731-1	SINGLE PHASE AC FAN MOTOR (M5, M6)
3P387730-1	SINGLE PHASE AC FAN MOTOR (M1, M2, M3, M4)
3P387735-1	SINGLE PHASE AC FAN MOTOR (M7, M8)
B1225022	Solenoid Coil
0130M00186	TERMINAL BLOCK
3P381576-1	THERMISTOR AMBIENT
4P387458-1	THERMISTOR ASSY
3P381575-1	THERMISTOR ASSY

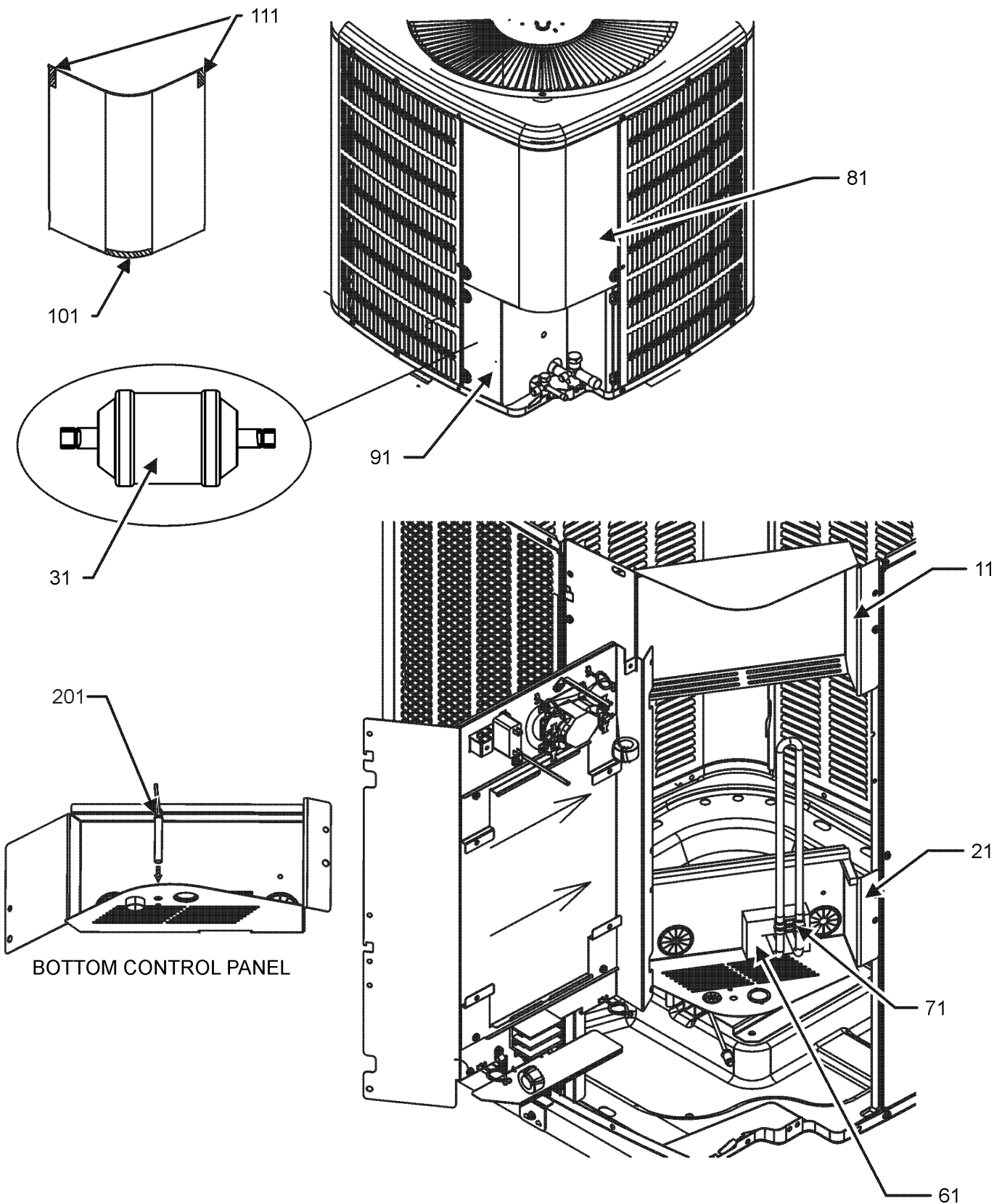
SPECIAL PARTS

0161R00091	CAP, GRILL
0161R00089	NAMEPLATE, DAIKIN
0361R00000	THERMAL GREASE

Expanded Model Nomenclature

M1 - DZ18VC0241AC
M2 - DZ18VC0241AD
M3 - DZ18VC0361AC
M4 - DZ18VC0361AD
M5 - DZ18VC0481AC
M6 - DZ18VC0481AD
M7 - DZ18VC0601AC
M8 - DZ18VC0601AD

Control Assembly



Control Assembly

Ref. Part No:	No:	Description:	Ref. Part No:	No:	Description:
---------------	-----	--------------	---------------	-----	--------------

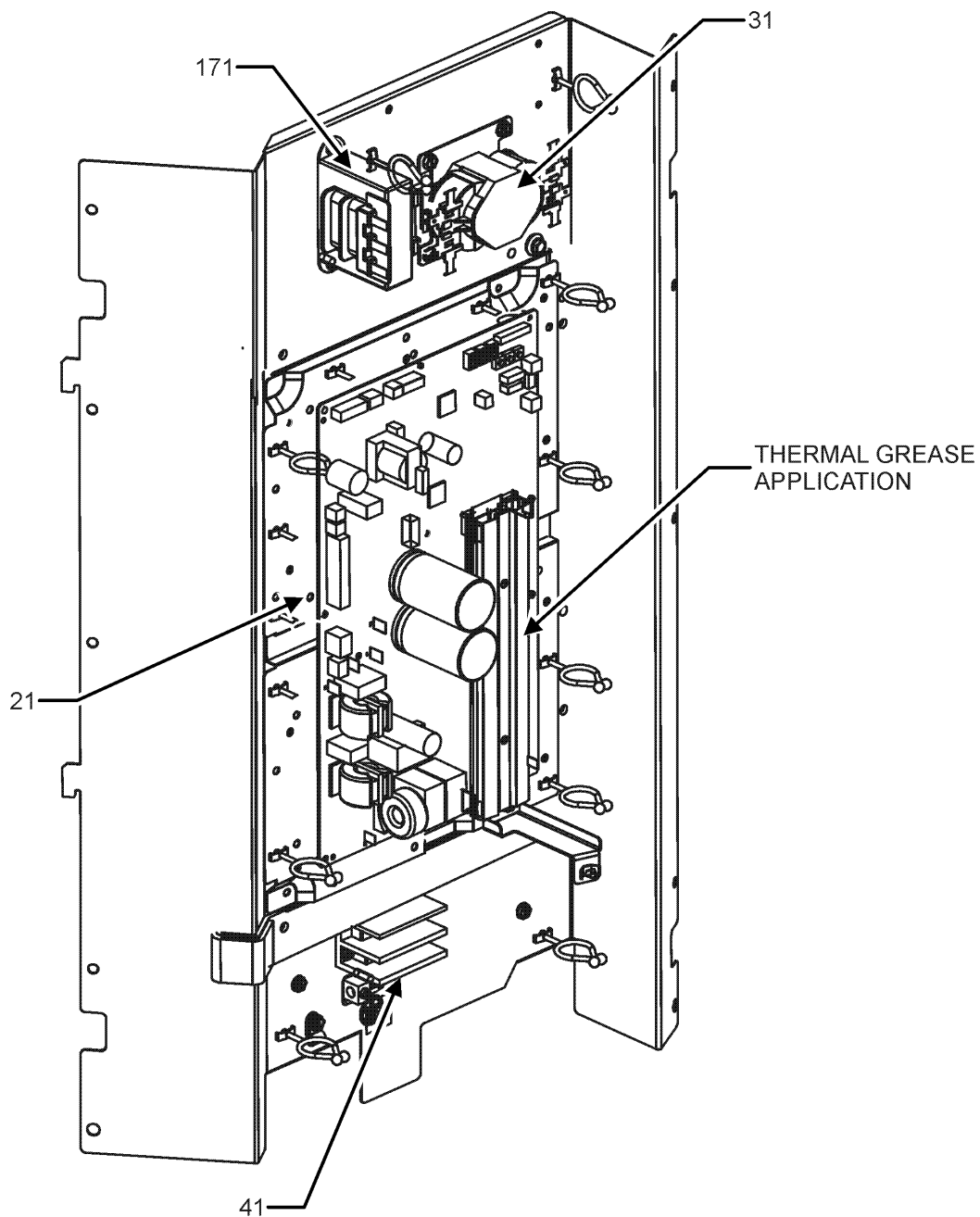
Image 1:

11	0121R00649	TOP CONTROL PANEL
21	0121R00653	BOTTOM CONTROL PANEL
31	20485201	BI-FLOW FILTER DRIER
61	0154R00016	GASKET - CONTROL PANEL
71	4P305027-1	COOLING LOOP SEPARATOR
81	0121R00639PNG	CONTROL COVER
91	0121R00637PNG	PANEL, LOWER ACCESS
101	0154R00023	GASKET, CONTROL PANEL COVER
111	0154R00017	GASKET - CONTROL PANEL (QTY 2)
201	3P381576-1	THERMISTOR AMBIENT
NS	0163M00175	CAP WITH O-RING
NS	0161R00091	CAP, GRILL
NS	0154R00015	GASKET - TOP CONTROL PANEL
NS	0161R00089	NAMEPLATE, DAIKIN

Expanded Model Nomenclature

M1 - DZ18VC0241AC
M2 - DZ18VC0241AD
M3 - DZ18VC0361AC
M4 - DZ18VC0361AD
M5 - DZ18VC0481AC
M6 - DZ18VC0481AD
M7 - DZ18VC0601AC
M8 - DZ18VC0601AD

Control Panel Assembly



Control Panel Assembly

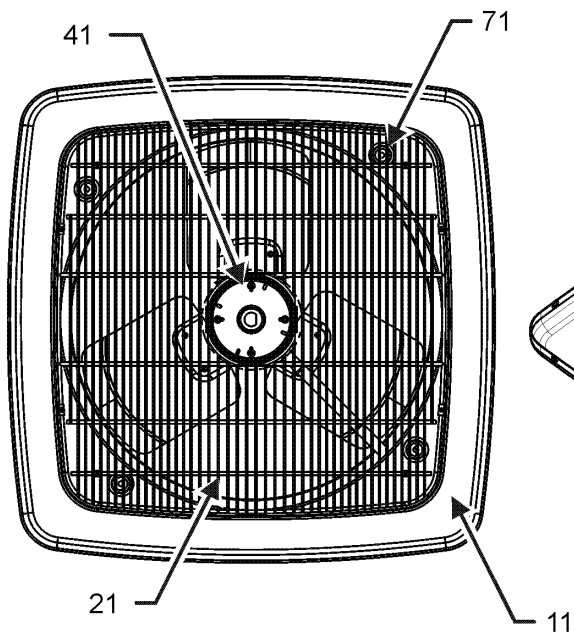
Ref. Part No:	No:	Description:	Ref. Part No:	No:	Description:
Image 1:					
21	3P386786-1	PCB, INVERTER, 2T HP (M1, M2)			
21	3P386786-5	PCB, INVERTER, 2YC90 (M5, M6, M7, M8)			
21	3P386786-3	PCB, INVERTER, 3T HP (M3, M4)			
31	3E750074-1	POWER CONDITIONER (M1, M2, M3, M4, M5, M6)			
41	0130M00186	TERMINAL BLOCK			
171	3S463002-5	FAN CAPACITOR (M1, M2, M3, M4, M5, M6)			
NS	0163M00075	FLANGE NUT, SERRATED			
NS	0163M00092	SCREW, HWH, 10-24X.500,BZ,SLOT			
NS	0130M00575	SHARED DATA (M1, M2)			
NS	0130M00576	SHARED DATA (M3, M4)			
NS	0130M00577	SHARED DATA (M5, M6)			
NS	0130M00578	SHARED DATA (M7, M8)			
NS	0361R00000	THERMAL GREASE			
NS	3P381575-1	THERMISTOR ASSY			
NS	0130M00220	WIRE HARNESS			
NS	0130M00221	WIRE HARNESS			
NS	0130M00222	WIRE HARNESS			
NS	0130M00227	WIRE HARNESS			
NS	0130M00194	WIRE HARNESS ASSY			
NS	0130M00206	WIRE HARNESS ASSY (M1, M2, M3, M4)			
NS	0130M00248	WIRE HARNESS ASSY (M5, M6, M7, M8)			

Expanded Model Nomenclature

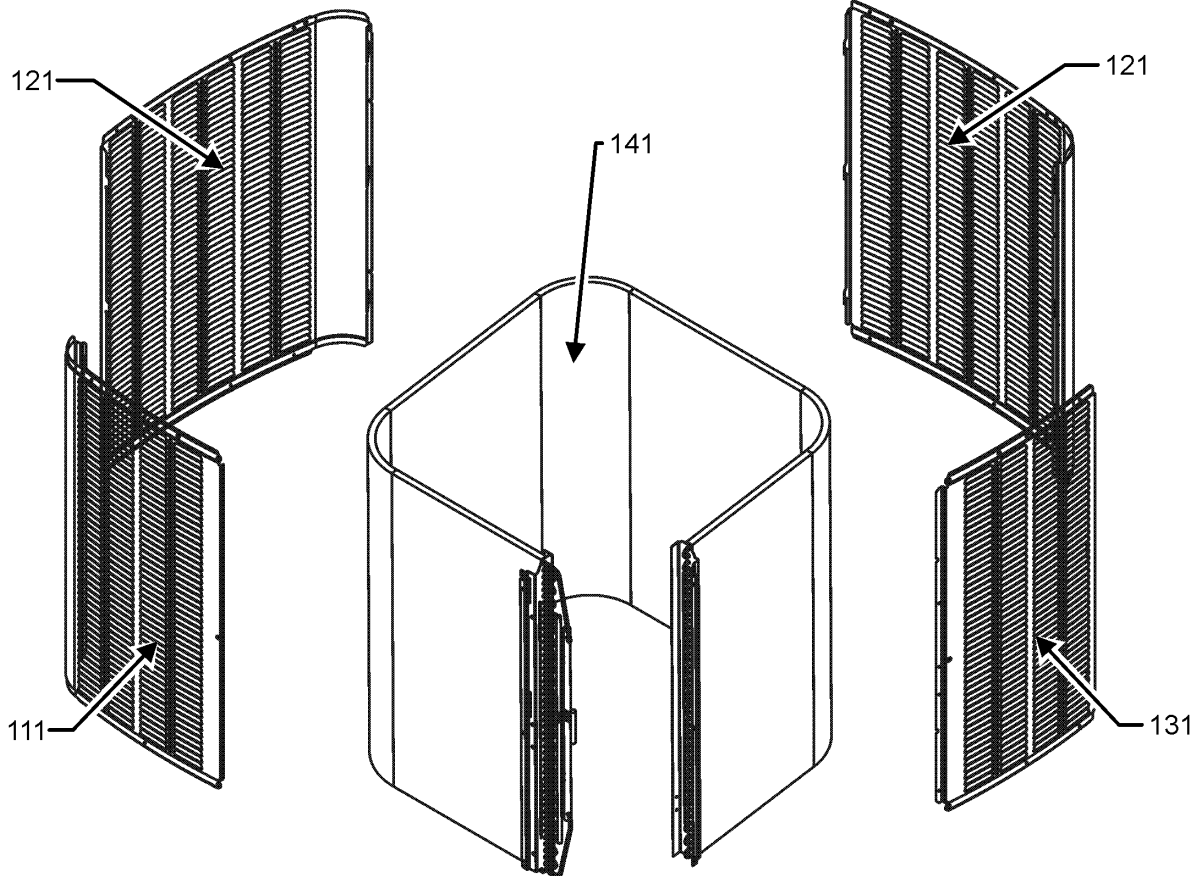
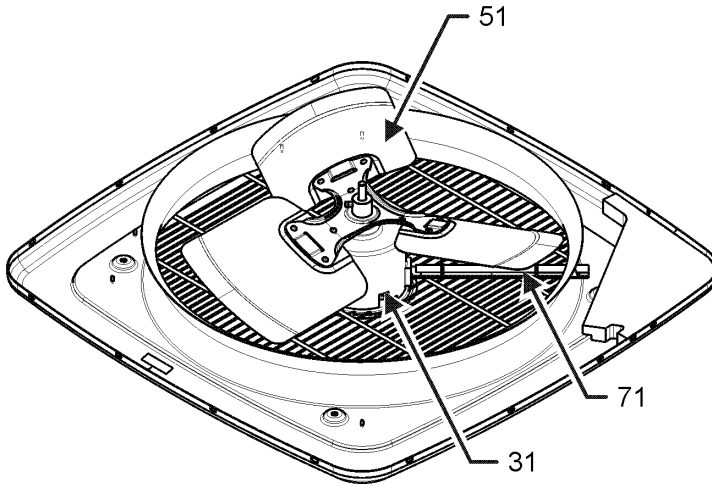
M1 - DZ18VC0241AC
M2 - DZ18VC0241AD
M3 - DZ18VC0361AC
M4 - DZ18VC0361AD
M5 - DZ18VC0481AC
M6 - DZ18VC0481AD
M7 - DZ18VC0601AC
M8 - DZ18VC0601AD

Top and Side Panel Assembly

TOP PANEL ASSEMBLY
TOP VIEW



TOP PANEL ASSEMBLY
BOTTOM VIEW



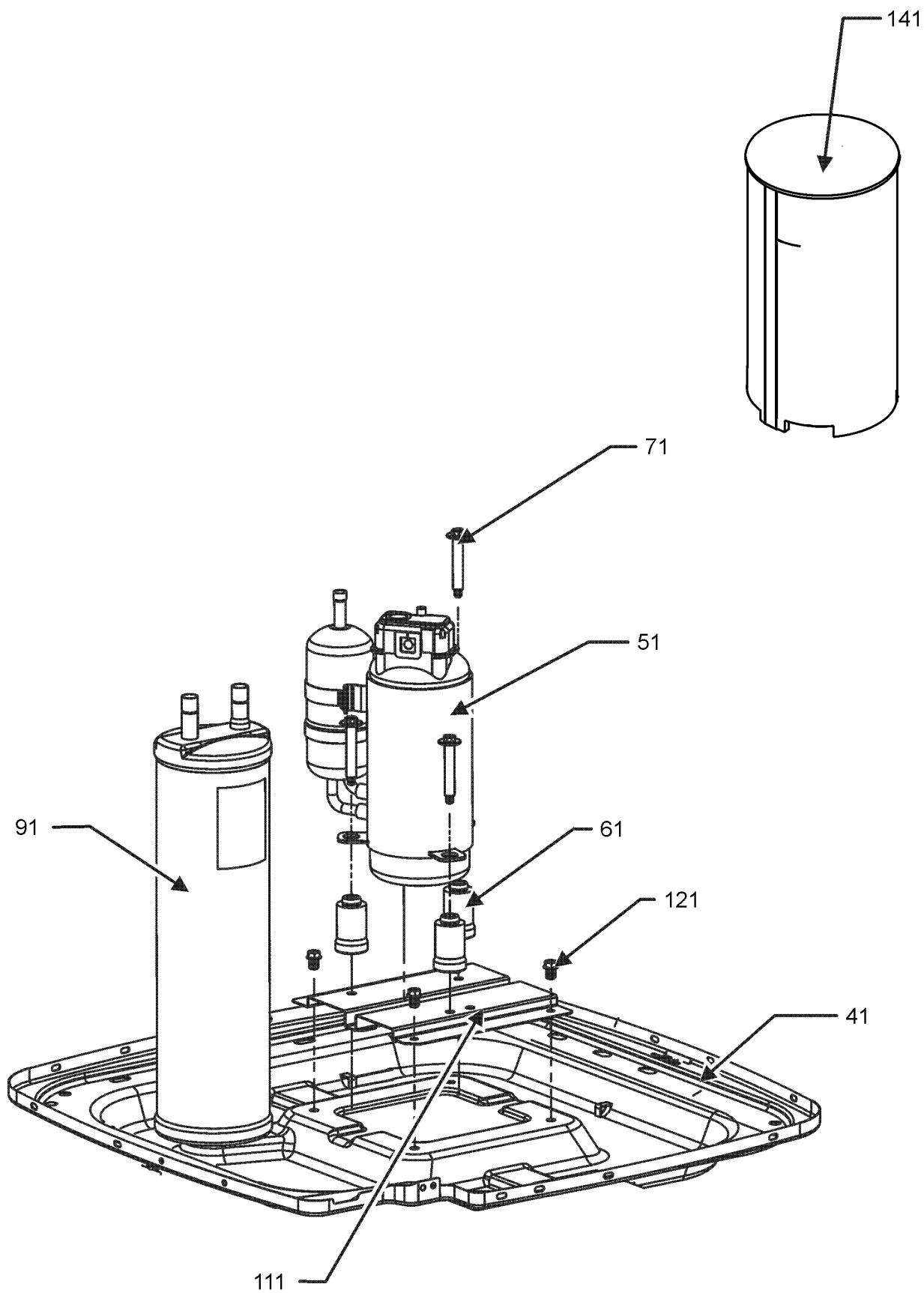
Top and Side Panel Assembly

Ref. Part No: No:	Description:	Ref. Part No: No:	Description:
Image 1:			
11	0121R00576PNG		TOP PANEL PAINTED, 29" (M1, M2, M3, M4)
11	0121R00577PNG		TOP PANEL PAINTED, 35" (M5, M6, M7, M8)
21	0152R00019		GRILL, WIRE 35" TOP (M7, M8)
21	0152R00015		GRILLE, WIRE 29" TOP (M1, M2, M3, M4)
21	0152R00016		GRILLE, WIRE 35" TOP (M5, M6)
31	3P387730-1		SINGLE PHASE AC FAN MOTOR (M1, M2, M3, M4)
31	3P387731-1		SINGLE PHASE AC FAN MOTOR (M5, M6)
31	3P387735-1		SINGLE PHASE AC FAN MOTOR (M7, M8)
41	M0280801		HEX NUT (QTY 4)
51	10625738		FAN BLADE 26" ALUM CCW (M5, M6, M7, M8)
51	B1086765		FAN BLADE TYPE 3 (M1, M2, M3, M4)
71	0163M00003P		SCREW #10 X 1/2, A, SLOT, SR, BLACK (QTY 8)
91	0161R00002P		CONDUIT (M1, M2, M3, M4)
91	0161R00004P		CONDUIT (M5, M6, M7, M8)
111	0121R00363NG		PANEL 1, BENT LOUVER ASSY (M5, M6)
111	0121R00369NG		PANEL 1, BENT LOUVER ASSY (M1, M2, M3, M4)
121	0121R00590PNG		PANEL 2, BENT LOUVER 29_36.38 (M1, M2, M3, M4)
121	0121R00364NG		PANEL 2, BENT LOUVER ASSY (M5, M6)
131	0121R00371NG		PANEL 3, PAINTED LOUVER (M1, M2, M3, M4)
131	0121R00365NG		PANEL 3, PAINTED LOUVER 35 (M5, M6)
141	0201R00584		COIL TUBING ASSY (M1, M2, M3, M4)
141	0201R00585		COIL TUBING ASSY (M7, M8)
141	0201R00602		COIL TUBING ASSY (M5, M6)
NS	0121R00641		ADAPTER PLATE
NS	0154R00032		GASKET
NS	0163M00004		SCREW #10X3/4", BLACK (QTY 4)
NS	0161R00049		VENTURI 26" INVERTER (M5, M6, M7, M8)
NS	0161R00081		VENTURI RING, 22IN (M1, M2, M3, M4)

Expanded Model Nomenclature

M1 - DZ18VC0241AC
M2 - DZ18VC0241AD
M3 - DZ18VC0361AC
M4 - DZ18VC0361AD
M5 - DZ18VC0481AC
M6 - DZ18VC0481AD
M7 - DZ18VC0601AC
M8 - DZ18VC0601AD

Compressor & Base Pan Assembly



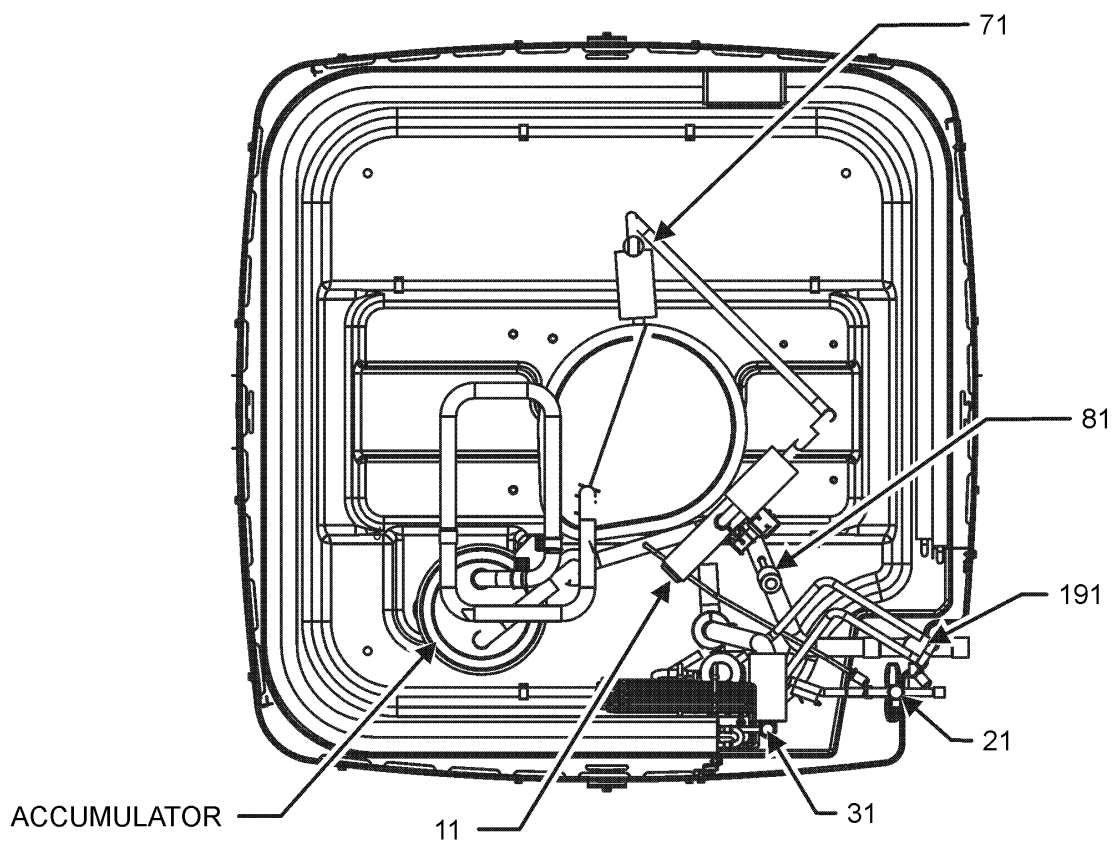
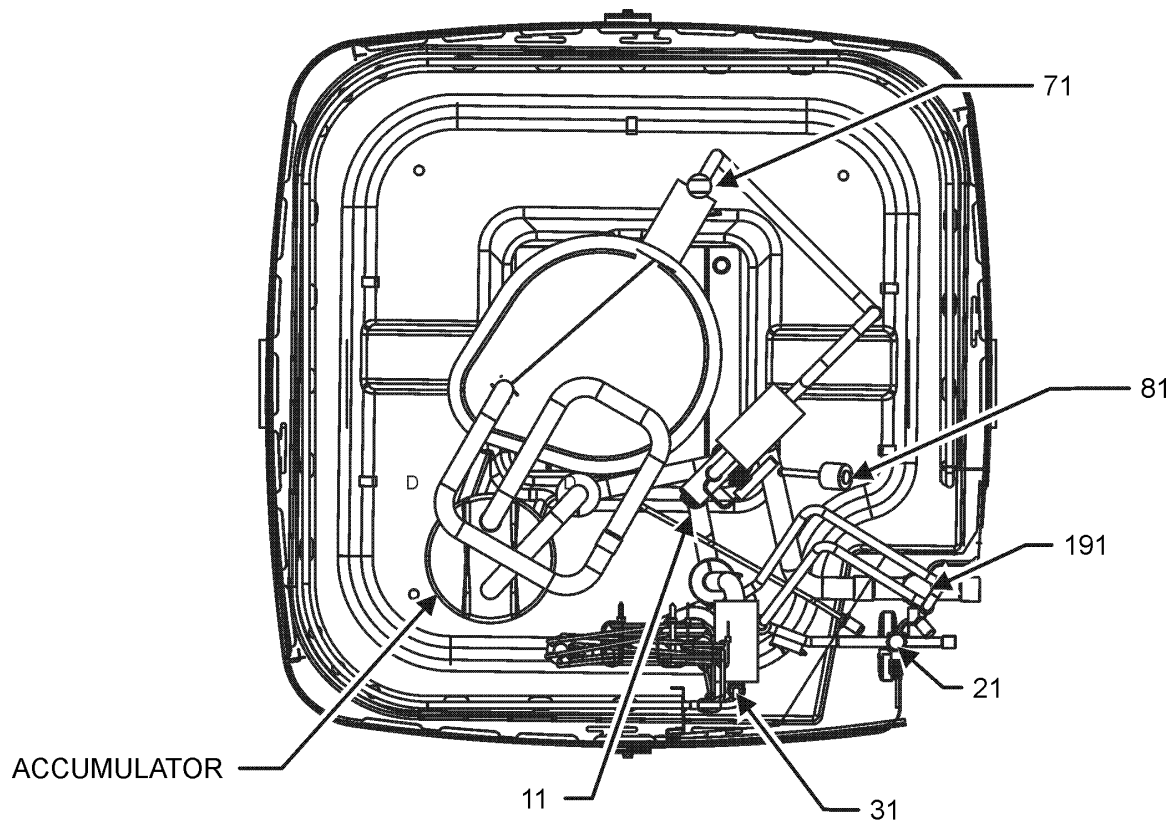
Compressor & Base Pan Assembly

Ref. Part No:	Description:	Ref. Part No:	Description:
Image 1:			
41	0121R00006PNG		BASE PAN, 29" PNT (M1, M2, M3, M4)
41	0121R00007PNG		BASE PAN, 35.5" PNT (M5, M6, M7, M8)
51	0156R00006		COMPRESSOR 2YC36MXD (M1, M2)
51	0156R00007		COMPRESSOR 2YC63TXD (M3, M4)
51	0156R00008		COMPRESSOR 2YC90FXD (M5, M6, M7, M8)
61	0164M00027		RUBBER GROMMET (M3, M4, M5, M6, M7, M8)
61	0164M00028		RUBBER GROMMET (M1, M2)
71	0163R00018		SCREW-SHOULDER TF (M3, M4, M5, M6, M7, M8)
71	0163R00020		SCREW-SHOULDER TF (M1, M2)
91	0151L00017		ACCUMULATOR (M5, M6, M7, M8)
91	0151L00016		ACCUMULATOR, 2T/3T (M1, M2, M3, M4)
111	0121R00651		COMPRESSOR MOUNTING PLATE (M1, M2, M3, M4)
121	0163R00025		SCREW (M1, M2, M3, M4)
141	0160M00007		COMPRESSOR BLANKET (M1, M2)
141	0160M00008		COMPRESSOR BLANKET (M5, M6, M7, M8)
141	0160M00010		COMPRESSOR BLANKET (M3, M4)
NS	0163R00023		ACCUMULATOR, NUT
NS	0159R00012		COMPRESSOR WIRE HARNESS (M1, M2, M3, M4)
NS	0159R00015		COMPRESSOR WIRE HARNESS (M5, M6, M7, M8)

Expanded Model Nomenclature

- M1 - DZ18VC0241AC
- M2 - DZ18VC0241AD
- M3 - DZ18VC0361AC
- M4 - DZ18VC0361AD
- M5 - DZ18VC0481AC
- M6 - DZ18VC0481AD
- M7 - DZ18VC0601AC
- M8 - DZ18VC0601AD

Tubing Assembly



Tubing Assembly

Ref. Part No:	No:	Description:	Ref. Part No:	No:	Description:
Image 1:					
11	0151R00109	REVERSING VALVE (M1, M2)			
11	0151R00110	REVERSING VALVE (M3, M4)			
11	0151R00111	REVERSING VALVE (M5, M6, M7, M8)			
21	0151R00167	BASE VALVE 3/8"			
31	3P381420-1	EV COIL (M5, M6, M7, M8)			
31	3P381421-1	EV COIL (M1, M2, M3, M4)			
71	3P381424-2	HIGH PRESSURE SWITCH			
81	3S481010-1	PRESSURE SENSOR			
191	0151R00079	BASE VALVE 3/4" (M1, M2)			
191	0151R00080	BASE VALVE 7/8" (M3, M4, M5, M6, M7, M8)			
NS	3SA27018-1	CHECK VALVE (M1, M2, M3, M4)			
NS	4SA27006-1	CHECK VALVE (M1, M2, M5, M6, M7, M8)			
NS	4SA27011-1	CHECK VALVE (M3, M4, M5, M6, M7, M8)			
NS	4PA38890-1	MOUNTING SPRING, THERMISTOR (QTY 5)			
NS	R3269031-7	OIL RETURN FILTER			
NS	R3269031-7	OIL RETURN FILTER			
NS	3S500031-1	Pulse Motor Expans EEV (M5, M6, M7, M8)			
NS	3S500032-1	Pulse Motor Expans EEV (M1, M2, M3, M4)			
NS	B1225022	Solenoid Coil			
NS	4P387458-1	THERMISTOR ASSY			
NS	4PA17856-4	THERMISTOR HOUSING TUBE			
NS	B1787000	VALVE CORE			

Expanded Model Nomenclature

M1 - DZ18VC0241AC
M2 - DZ18VC0241AD
M3 - DZ18VC0361AC
M4 - DZ18VC0361AD
M5 - DZ18VC0481AC
M6 - DZ18VC0481AD
M7 - DZ18VC0601AC
M8 - DZ18VC0601AD