

DZ18VC Heat Pump Inverter

DZ18VC0241AA
DZ18VC0241AB
DZ18VC0361AA
DZ18VC0361AB
DZ18VC0481AA
DZ18VC0481AB
DZ18VC0601AA
DZ18VC0601AB



This manual is to be used by qualified technicians only.

This manual replaces RP-D4028B.

© 2015 - 2016 , 2019 **DAIKIN MANUFACTURING COMPANY, L.P.** ♦ 5151 San Felipe St, Suite 500 ♦ Houston, TX 77056

Important Information

Index

Functional Parts List	3
Illustration and Parts	4 - 13

Views shown are for parts illustrations only, not servicing procedures.

Text Codes:

AR - As Required

NA - Not Available

NS - Not Shown

00000000 - See Note

QTY - Quantity Example (QTY 3) (If Quantity not shown, Quantity = 1)

M - Model Example (M1) (If M Code not shown, then part is used on all Models)

Expanded Model Nomenclature:

Example M1 - Model#1 M2 - Model#2 M3 - Model#3

Daikin Manufacturing Company, L.P. is not responsible for personal injury or property damage resulting from improper service. Review all service information before beginning repairs.

Warranty service must be performed by an authorized technician, using authorized factory parts. If service is required after the warranty expires, Daikin Manufacturing Company, L.P. also recommends contacting an authorized technician and using authorized factory parts.

Daikin Manufacturing Company, L.P. reserves the right to discontinue, or change at any time, specifications or designs without notice or without incurring obligations.

For assistance within the U.S.A. contact:

Homeowner Support
Daikin North America, LLC
19001 Kermier Road
Waller, Texas 77484
855-770-5678-Telephone
713-863-2382-Facsimile

For assistance outside the U.S.A. contact:

International Division
Daikin North America, LLC
19001 Kermier Road
Waller, Texas 77484
713-861-2500-Telephone
713-863-2382-Facsimile

Functional Parts

Part

No: Description:

0151L00017	ACCUMULATOR (M5, M6, M7, M8)
0151L00016	ACCUMULATOR, 2T/3T (M1, M2, M3, M4)
0151R00079	BASE VALVE 3/4" (M1, M2)
0151R00078	BASE VALVE 3/8"
0151R00080	BASE VALVE 7/8" (M3, M4, M5, M6, M7, M8)
4SA27011-1	CHECK VALVE (M3, M4, M5, M6, M7, M8)
4SA27006-1	CHECK VALVE (M1, M2, M5, M6, M7, M8)
3SA27018-1	CHECK VALVE (M1, M2, M3, M4)
0156R00006	COMPRESSOR 2YC36MXD (M1, M2)
0156R00007	COMPRESSOR 2YC63TXD (M3, M4)
0156R00008	COMPRESSOR 2YC90FXD (M5, M6, M7, M8)
10625738	FAN BLADE 26" ALUM CCW (M5, M6, M7, M8)
B1086765	FAN BLADE, TYPE 3 (M1, M2, M3, M4)
3S463002-5	FAN CAPACITOR (M1, M2, M3, M4, M5, M6)
3P381424-2	HIGH PRESSURE SWITCH
0272R01042	PCB ASSY (M1, M2)
0272R01043	PCB ASSY (M3, M4)
0272R01045	PCB ASSY (M7, M8)
0272R01044	PCB ASSY (M5, M6)
3E750074-1	POWER CONDITIONER (M1, M2, M3, M4, M5, M6)
3S481010-1	PRESSURE SENSOR
0151R00110	REVERSING VALVE (M3, M4)
0151R00111	REVERSING VALVE (M5, M6, M7, M8)
0151R00109	REVERSING VALVE (M1, M2)
3P387735-1	SINGLE PHASE AC FAN MOTOR (M7, M8)
3P387731-1	SINGLE PHASE AC FAN MOTOR (M5, M6)
3P387730-1	SINGLE PHASE AC FAN MOTOR (M1, M2, M3, M4)
0130M00186	TERMINAL BLOCK
3P381576-1	THERMISTOR AMBIENT
3P381575-1	THERMISTOR ASSY
4P387458-1	THERMISTOR ASSY

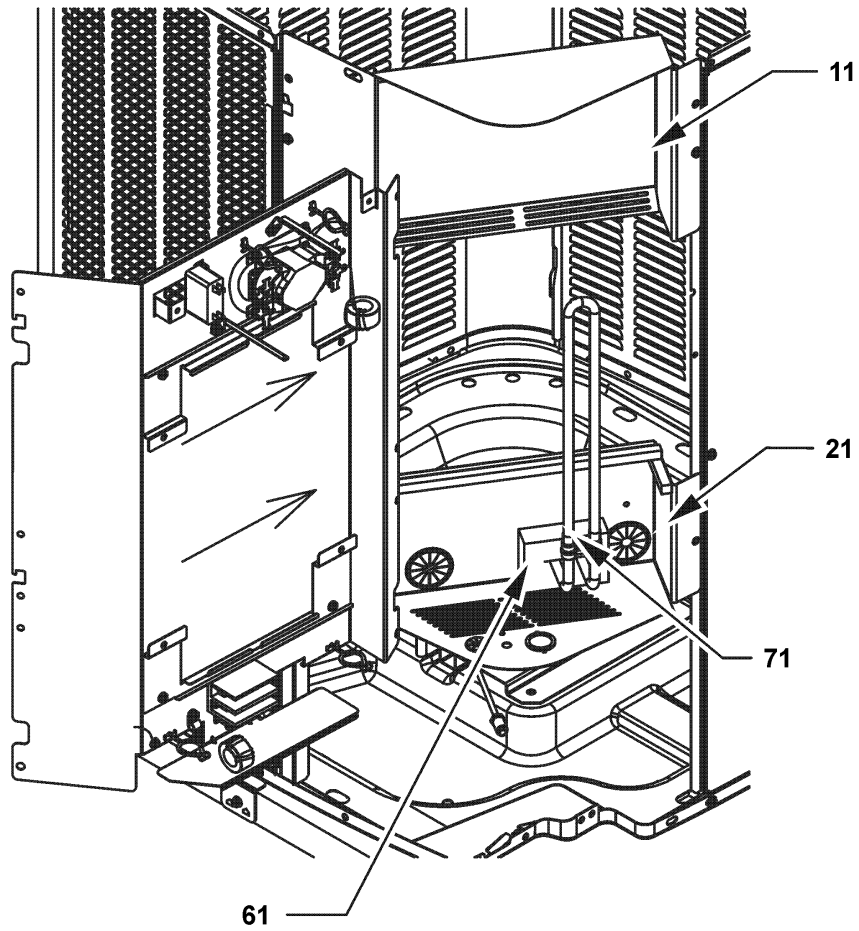
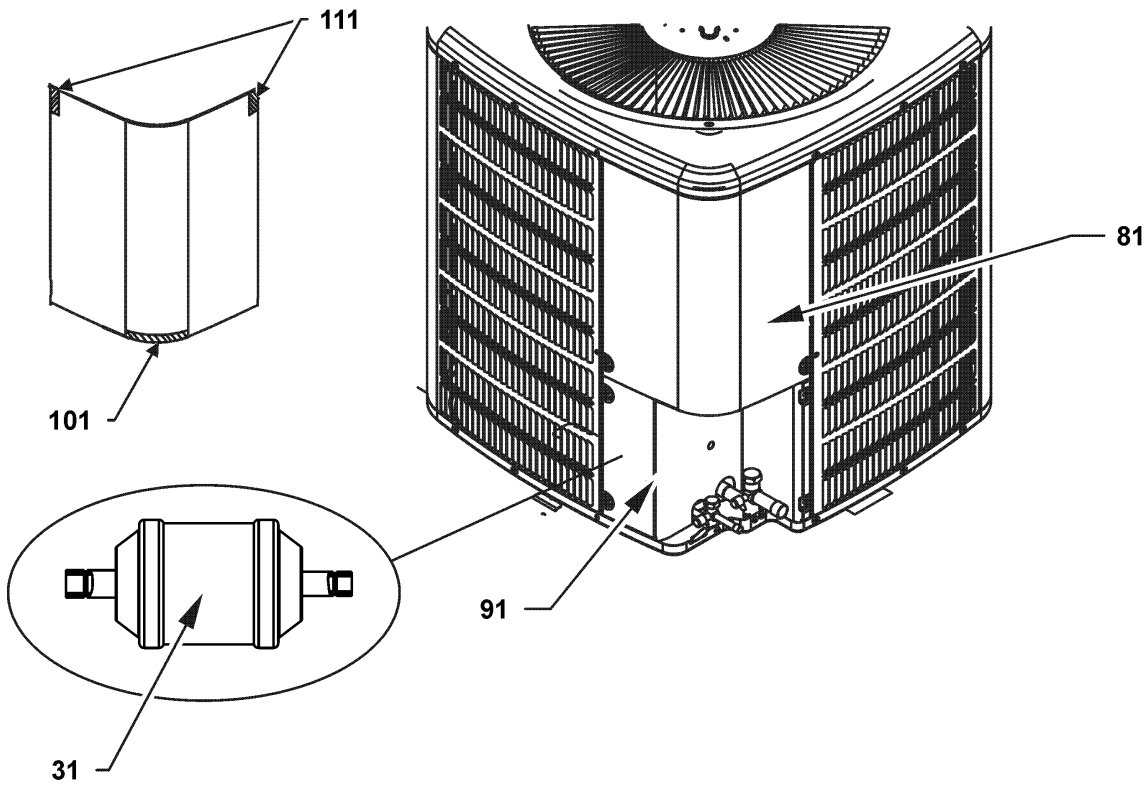
SPECIAL PARTS

0161R00036	DAIKIN NAMEPLATE
0161R00038	GRILL CAP
117269J	THERMAL GREASE

Expanded Model Nomenclature

M1 - DZ18VC0241AA
M2 - DZ18VC0241AB
M3 - DZ18VC0361AA
M4 - DZ18VC0361AB
M5 - DZ18VC0481AA
M6 - DZ18VC0481AB
M7 - DZ18VC0601AA
M8 - DZ18VC0601AB

Control Assy



Control Assy

Ref. Part No:	No:	Description:	Ref. Part No:	No:	Description:
---------------	-----	--------------	---------------	-----	--------------

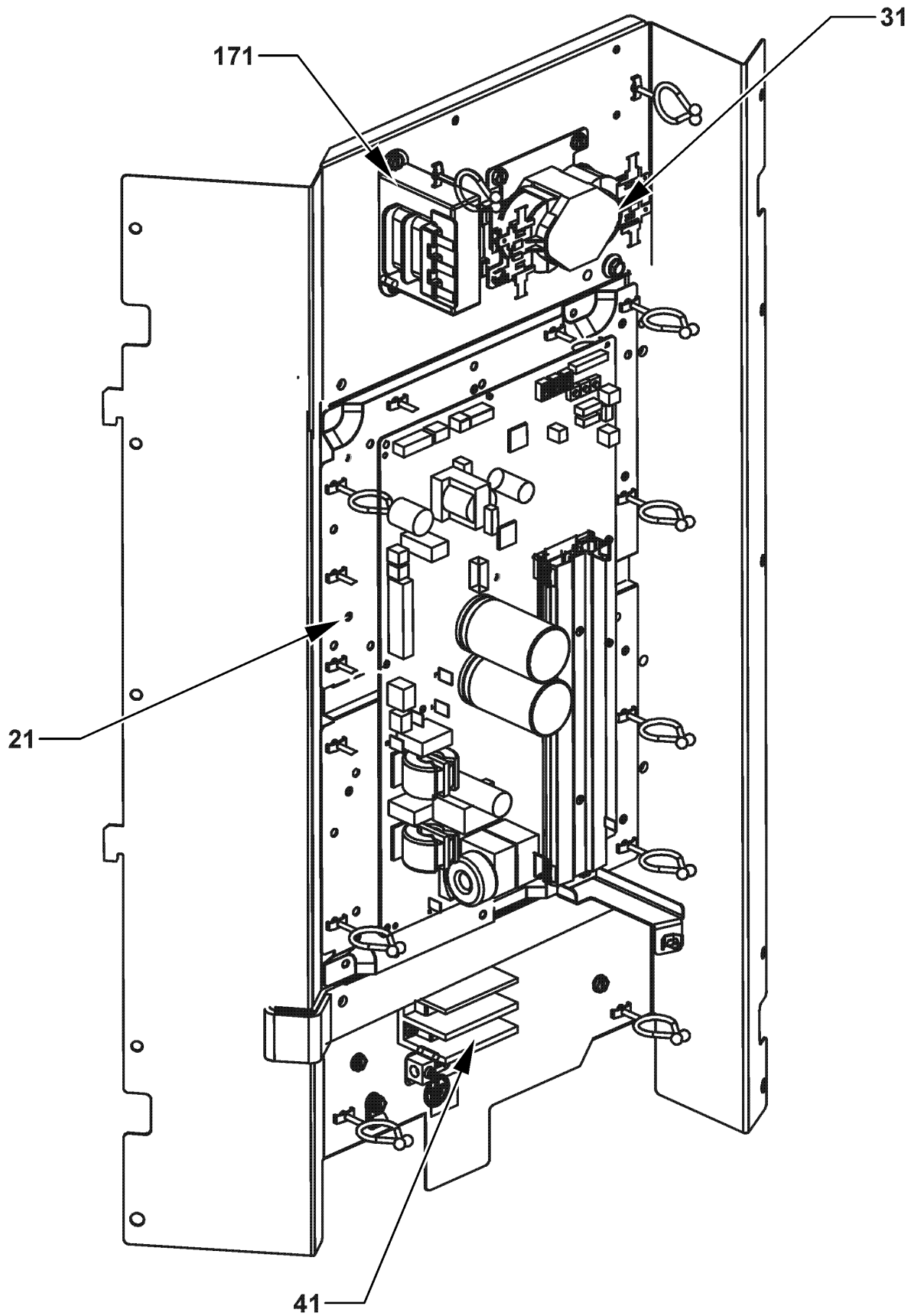
Image 1:

11	0121R00649	TOP CONTROL PANEL
21	0121R00653	BOTTOM CONTROL PANEL
31	20485201	BI-FLOW FILTER DRIER
61	0154R00016	GASKET - CONTROL PANEL
71	4P305027-1	COOLING LOOP SEPARATOR
81	0121R00639PNG	CONTROL COVER
91	0121R00637PNG	PANEL, LOWER ACCESS
101	0154R00023	GASKET, CONTROL PANEL COVER
111	0154R00017	GASKET - CONTROL PANEL (QTY 2)
NS	0163M00175	CAP WITH O-RING
NS	0161R00036	DAIKIN NAMEPLATE
NS	0154R00015	GASKET - TOP CONTROL PANEL
NS	0161R00038	GRILL CAP

Expanded Model Nomenclature

M1 - DZ18VC0241AA
M2 - DZ18VC0241AB
M3 - DZ18VC0361AA
M4 - DZ18VC0361AB
M5 - DZ18VC0481AA
M6 - DZ18VC0481AB
M7 - DZ18VC0601AA
M8 - DZ18VC0601AB

Control Panels



Control Panels

Ref. Part No:	Ref. Part No:	Description:	Description:
---------------	---------------	--------------	--------------

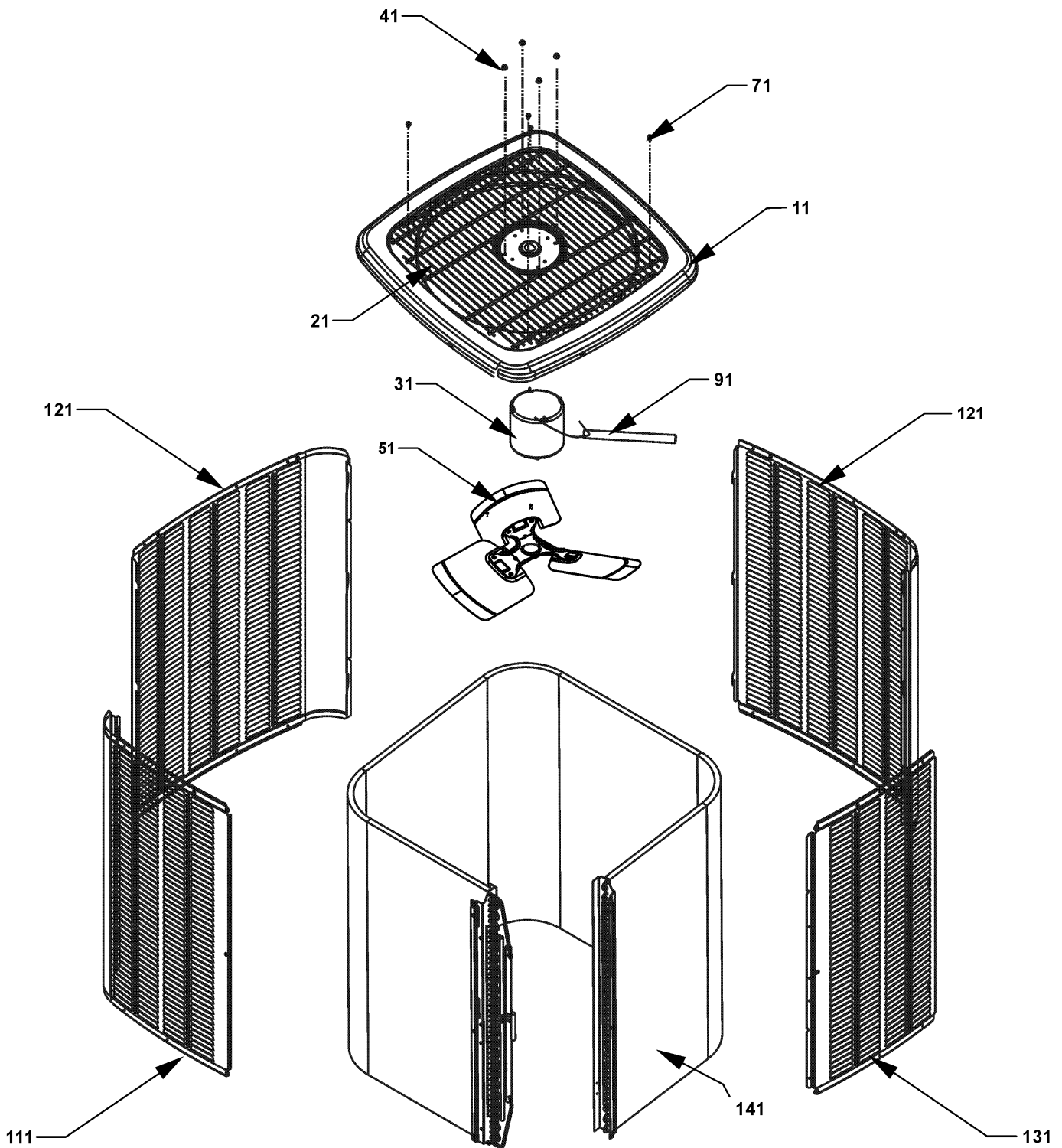
Image 1:

21	0272R01042	PCB ASSY (M1, M2)
21	0272R01043	PCB ASSY (M3, M4)
21	0272R01044	PCB ASSY (M5, M6)
21	0272R01045	PCB ASSY (M7, M8)
31	3E750074-1	POWER CONDITIONER (M1, M2, M3, M4, M5, M6)
41	0130M00186	TERMINAL BLOCK
171	3S463002-5	FAN CAPACITOR (M1, M2, M3, M4, M5, M6)
NS	0163M00075	FLANGE NUT, SERRATED
NS	0163M00092	SCREW, HWH, 10-24X.500,BZ,SLOT
NS	0130M00575	SHARED DATA (M1, M2)
NS	0130M00576	SHARED DATA (M3, M4)
NS	0130M00577	SHARED DATA (M5, M6)
NS	0130M00578	SHARED DATA (M7, M8)
NS	117269J	THERMAL GREASE
NS	3P381576-1	THERMISTOR AMBIENT
NS	3P381575-1	THERMISTOR ASSY
NS	0130M00220	WIRE HARNESS
NS	0130M00221	WIRE HARNESS
NS	0130M00222	WIRE HARNESS
NS	0130M00227	WIRE HARNESS
NS	0130M00194	WIRE HARNESS ASSY
NS	0130M00206	WIRE HARNESS ASSY (M1, M2, M3, M4)
NS	0130M00248	WIRE HARNESS ASSY (M5, M6, M7, M8)

Expanded Model Nomenclature

- | |
|-------------------|
| M1 - DZ18VC0241AA |
| M2 - DZ18VC0241AB |
| M3 - DZ18VC0361AA |
| M4 - DZ18VC0361AB |
| M5 - DZ18VC0481AA |
| M6 - DZ18VC0481AB |
| M7 - DZ18VC0601AA |
| M8 - DZ18VC0601AB |

Top and Side Panels



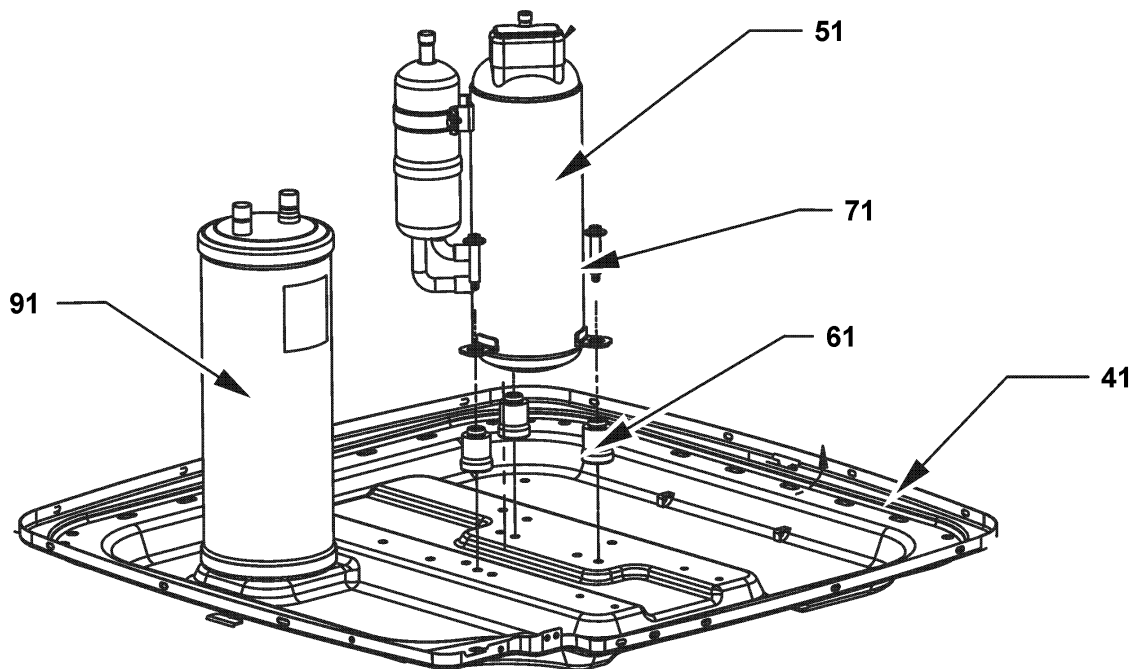
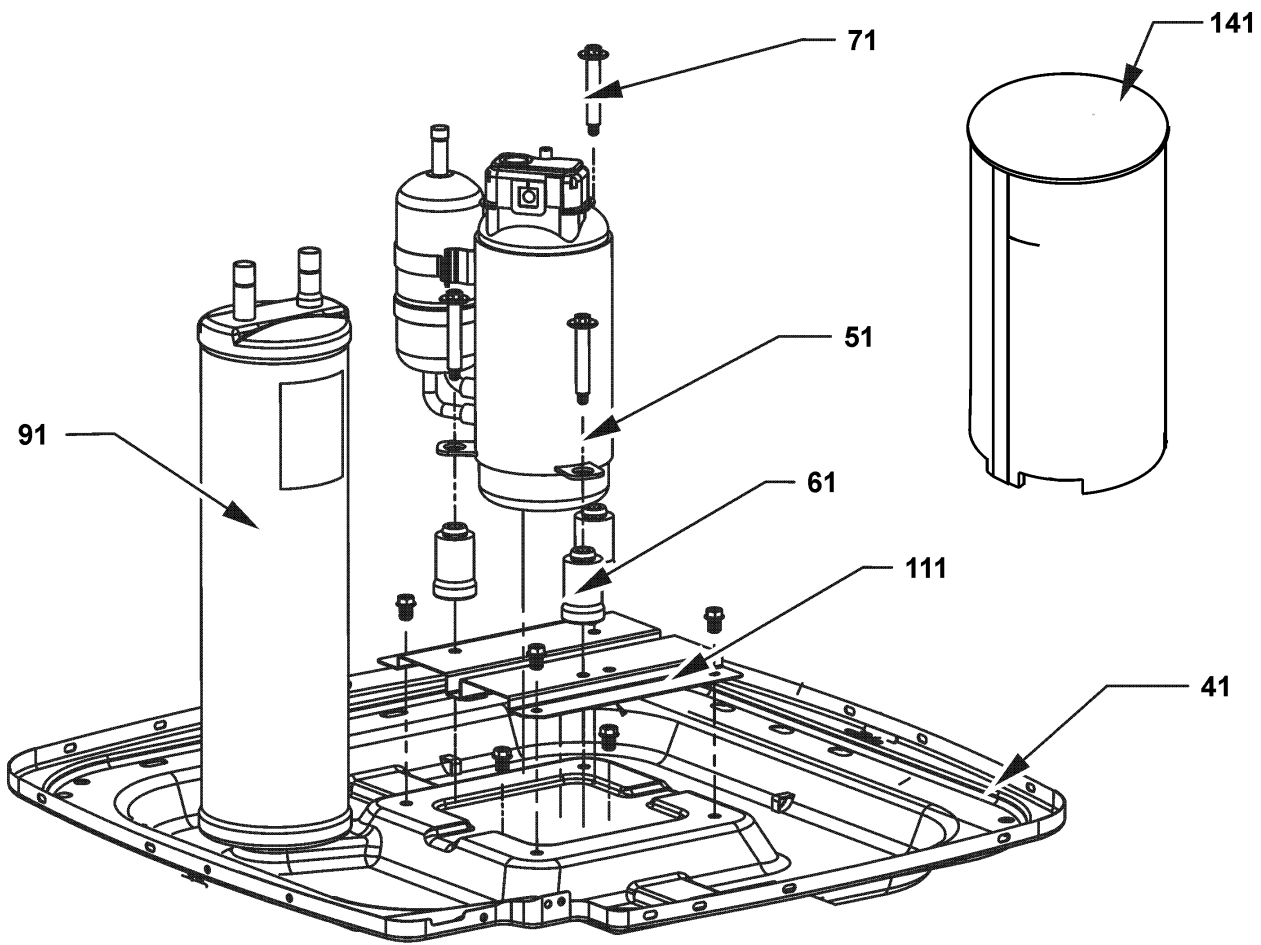
Top and Side Panels

Ref. Part No:	Ref. Part No:	Description:	Description:
Image 1:			
11	0121R00576PNG	TOP PANEL PAINTED, 29" (M1, M2, M3, M4)	
11	0121R00577PNG	TOP PANEL PAINTED, 35" (M5, M6, M7, M8)	
21	0152R00019	GRILL, WIRE 35" TOP (M7, M8)	
21	0152R00015	GRILLE, WIRE 29" TOP (M1, M2, M3, M4)	
21	0152R00014	GRILLE, WIRE 35" TOP (M5, M6)	
31	3P387730-1	SINGLE PHASE AC FAN MOTOR (M1, M2, M3, M4)	
31	3P387731-1	SINGLE PHASE AC FAN MOTOR (M5, M6)	
31	3P387735-1	SINGLE PHASE AC FAN MOTOR (M7, M8)	
41	M0280801	HEX NUT (QTY 4)	
51	10625738	FAN BLADE 26" ALUM CCW (M5, M6, M7, M8)	
51	B1086765	FAN BLADE, TYPE 3 (M1, M2, M3, M4)	
71	0163M00003P	SCREW #10 X 1/2, A, SLOT, SR, BLACK (QTY 8)	
91	0161R00004P	CONDUIT	
111	0121R00363NGB	PANEL 1, BENT LOUVER ASSY (M5, M6, M7, M8)	
111	0121R00369NGB	PANEL 1, BENT LOUVER ASSY (M1, M2, M3, M4)	
121	0121R00364NGB	PANEL 2, BENT LOUVER ASSY (M5, M6, M7, M8)	
121	0121R00590NGB	PANEL 2, BENT LOUVER ASSY (M1, M2, M3, M4)	
131	0121R00371NG	PANEL 3, PAINTED LOUVER (M1, M2, M3, M4)	
131	0121R00365NG	PANEL 3, PAINTED LOUVER 35 (M5, M6, M7, M8)	
141	0201R00584	COIL TUBING ASSY (M1, M2, M3, M4)	
141	0201R00585	COIL TUBING ASSY (M7, M8)	
141	0201R00602	COIL TUBING ASSY (M5, M6)	
NS	0121R00641	ADAPTER PLATE	
NS	0154R00032	GASKET	
NS	0163M00004	SCREW #10X3/4", BLACK (QTY 8)	
NS	0161R00049	VENTURI 26" INVERTER (M5, M6, M7, M8)	
NS	0161R00050	VENTURI 29" INVERTER (M1, M2, M3, M4)	

Expanded Model Nomenclature

- | |
|-------------------|
| M1 - DZ18VC0241AA |
| M2 - DZ18VC0241AB |
| M3 - DZ18VC0361AA |
| M4 - DZ18VC0361AB |
| M5 - DZ18VC0481AA |
| M6 - DZ18VC0481AB |
| M7 - DZ18VC0601AA |
| M8 - DZ18VC0601AB |

Compressor



Compressor

Ref. Part No:	Ref. Part No:	Description:	Description:
---------------	---------------	--------------	--------------

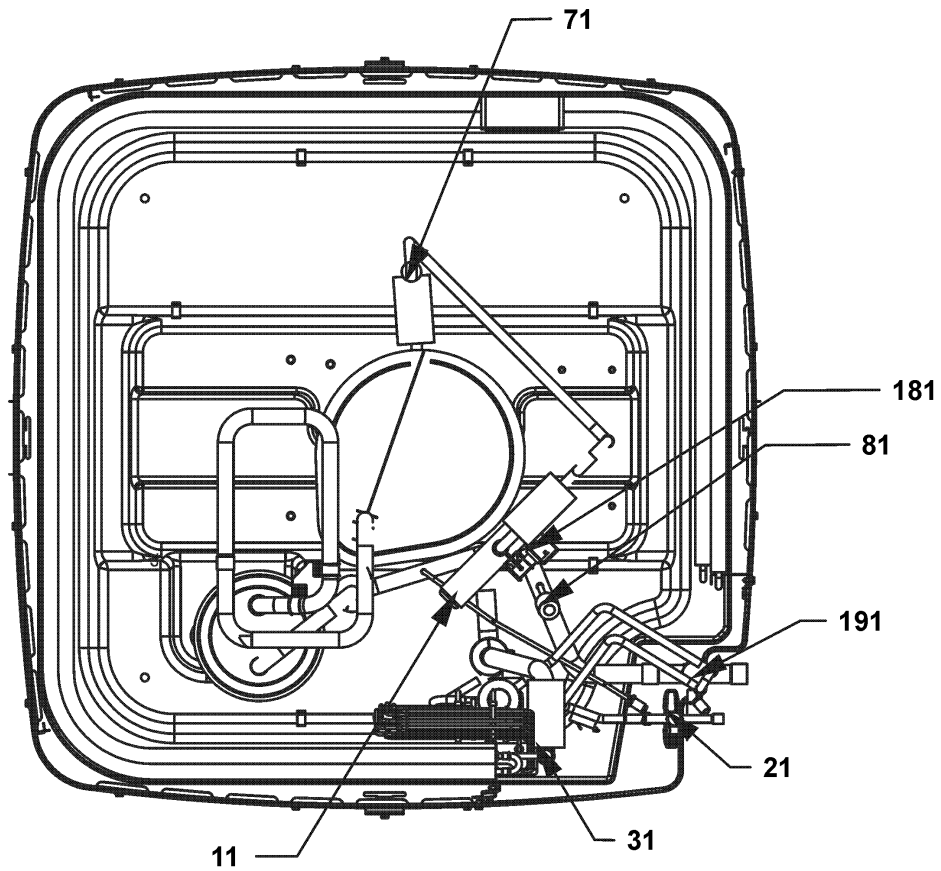
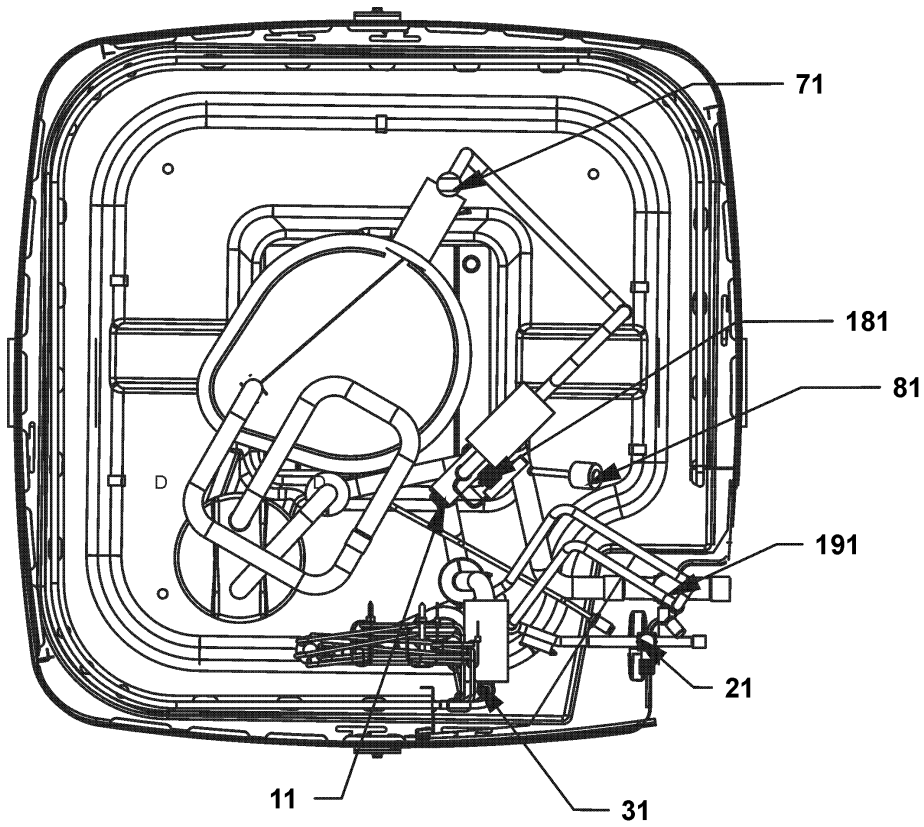
Image 1:

41	0121R00668PNG	BASE PAN, 29" (M1, M2, M3, M4)
41	0121R00672PNG	BASE PAN, 35.5" (M5, M6, M7, M8)
51	0156R00006	COMPRESSOR 2YC36MXD (M1, M2)
51	0156R00007	COMPRESSOR 2YC63TXD (M3, M4)
51	0156R00008	COMPRESSOR 2YC90FXD (M5, M6, M7, M8)
61	0164M00027	RUBBER GROMMET (M3, M4, M5, M6, M7, M8)
61	0164M00028	RUBBER GROMMET (M1, M2)
71	0163R00018	SCREW-SHOULDER TF (M3, M4, M5, M6, M7, M8)
71	0163R00020	SCREW-SHOULDER TF (M1, M2)
91	0151L00017	ACCUMULATOR (M5, M6, M7, M8)
91	0151L00016	ACCUMULATOR, 2T/3T (M1, M2, M3, M4)
111	0121R00651	COMPRESSOR MOUNTING PLATE (M1, M2, M3, M4)
141	0160M00007	COMPRESSOR BLANKET (M1, M2)
141	0160M00008	COMPRESSOR BLANKET (M5, M6, M7, M8)
141	0160M00010	COMPRESSOR BLANKET (M3, M4)
NS	0159R00012	COMPRESSOR WIRE HARNESS (M1, M2, M3, M4)
NS	0159R00015	COMPRESSOR WIRE HARNESS (M5, M6, M7, M8)
NS	0163R00023	NUT, HEX FLANGE

Expanded Model Nomenclature

M1 - DZ18VC0241AA
M2 - DZ18VC0241AB
M3 - DZ18VC0361AA
M4 - DZ18VC0361AB
M5 - DZ18VC0481AA
M6 - DZ18VC0481AB
M7 - DZ18VC0601AA
M8 - DZ18VC0601AB

Tubing Assy



Tubing Assy

Ref. Part No:	Ref. Part No:	Description:	Description:
---------------	---------------	--------------	--------------

Image 1:

11	0151R00109	REVERSING VALVE (M1, M2)
11	0151R00110	REVERSING VALVE (M3, M4)
11	0151R00111	REVERSING VALVE (M5, M6, M7, M8)
21	0151R00078	BASE VALVE 3/8"
31	3P381420-1	EV COIL (M5, M6, M7, M8)
31	3P381421-1	EV COIL (M1, M2, M3, M4)
71	3P381424-2	HIGH PRESSURE SWITCH
81	3S481010-1	PRESSURE SENSOR
181	0130M00224	REVERSING VALVE CABLE
191	0151R00079	BASE VALVE 3/4" (M1, M2)
191	0151R00080	BASE VALVE 7/8" (M3, M4, M5, M6, M7, M8)
NS	3SA27018-1	CHECK VALVE (M1, M2, M3, M4)
NS	4SA27006-1	CHECK VALVE (M1, M2, M5, M6, M7, M8)
NS	4SA27011-1	CHECK VALVE (M3, M4, M5, M6, M7, M8)
NS	R3269031-7	FILTER
NS	4PA38890-1	MOUNTING SPRING, THERMISTOR (QTY 5)
NS	R3269031-7	OIL RETURN FILTER
NS	3S500031-1	Pulse Motor Expans EEV (M5, M6, M7, M8)
NS	3S500032-1	Pulse Motor Expans EEV (M1, M2, M3, M4)
NS	4P387458-1	THERMISTOR ASSY
NS	4PA17856-4	THERMISTOR HOUSING TUBE
NS	B1787000	VALVE CORE

Expanded Model Nomenclature

- | |
|-------------------|
| M1 - DZ18VC0241AA |
| M2 - DZ18VC0241AB |
| M3 - DZ18VC0361AA |
| M4 - DZ18VC0361AB |
| M5 - DZ18VC0481AA |
| M6 - DZ18VC0481AB |
| M7 - DZ18VC0601AA |
| M8 - DZ18VC0601AB |