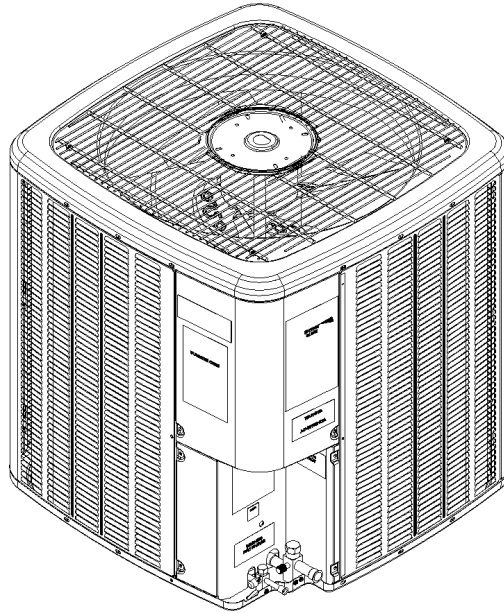


DZ16/18TC Remote Heat Pumps

DZ16TC0241AA
DZ16TC0241AB
DZ16TC0361AA
DZ16TC0361AB
DZ16TC0481AA
DZ16TC0481AB
DZ16TC0601AA
DZ16TC0601AB
DZ18TC0361AA
DZ18TC0361AB
DZ18TC0481AA
DZ18TC0481AB
DZ18TC0601AA
DZ18TC0601AB



This manual is to be used by qualified technicians only.

This manual replaces RP-D4013.

© 2013 **DAIKIN COMPANY, L.P.** ♦ 5151 San Felipe St., Suite 500 ♦ Houston, TX 77056

Important Information

Index

| | |
|------------------------------|-------|
| Functional Parts List | 3 |
| Illustration and Parts | 4 - 9 |

Views shown are for parts illustrations only, not servicing procedures

Rev. A: Added new DZ16TC and DZ18TC models.

Text Codes:

AR - As Required

NA - Not Available

NS - Not Shown

00000000 - See Note

QTY - Quantity Example (QTY 3) (If Quantity not shown, Quantity = 1)

M - Model Example (M1) (If M Code not shown, then part is used on all Models)

Expanded Model Nomenclature:

| |
|---|
| Example M1 - Model#1 M2 - Model#2 M3 - Model#3 |
|---|

Daikin Company, L.P. is not responsible for personal injury or property damage resulting from improper service. Review all service information before beginning repairs.

Warranty service must be performed by an authorized technician, using authorized factory parts. If service is required after the warranty expires, Daikin Company, L.P. also recommends contacting an authorized technician and using authorized factory parts.

Daikin Company, L.P. reserves the right to discontinue, or change at any time, specifications or designs without notice or without incurring obligations.

For assistance within the U.S.A. contact:

Consumer Affairs Department

Daikin North America, LLC

7401 Security Way

Houston, Texas 77040

855-770-5678-Telephone

713-863-2382-Facsimile

For assistance outside the U.S.A. contact:

International Division

Daikin North America, LLC

7401 Security Way

Houston, Texas 77040

713-861-2500-Telephone

713-863-2382-Facsimile

Functional Parts

Part No: **Description:**

| | |
|----------------|---|
| B12825171 | 3/8" SERVICE VALVE |
| CAP050300440RS | CAPACITOR 5/30/370V (M5, M6, M11, M12) |
| CAP050350440CS | CAPACITOR 5/35/440V (M1, M2) |
| CAP050400440RT | CAPACITOR 5/40/440V/DUAL RD (M3, M4, M7, M8, M9, M10, M13, M14) |
| ZPS20K5EPFV130 | COMPRESSOR 20000, 208/230 (M1, M2) |
| ZPS30K5EPFV130 | COMPRESSOR 30000, 208/230 (M3, M4, M9, M10) |
| ZPS40K5EPFV130 | COMPRESSOR 41100, 208/230/60/1 (M5, M6, M11, M12) |
| ZPS49K5EPFV130 | COMPRESSOR 49100, 208/230/60/1 (M7, M8, M13, M14) |
| 0131M00295 | COND MOTOR 1/6 HP, 2 SP, 8 PL (M1, M2, M3, M4, M5, M6, M7, M8) |
| 0131M00401 | COND MOTOR-ECM (M9, M10, M11, M12, M13, M14) |
| 0130R00003 | CUT-OUT SWITCH, HIGH PRESSURE |
| 0130R00002 | CUT-OUT SWITCH, LOW PRESSURE |
| 0130M00106 | DISC THERMOSTAT CRNKCS HTR SW |
| 11046710 | DISC-THERMOSTAT |
| 10625737 | FAN BLADE 22" ALUM CCW (M1, M2) |
| 0150M00010 | FAN BLADE 26" ALUM CCW (M9, M10, M11, M12, M13, M14) |
| 10625738 | FAN BLADE 26" ALUM CCW (M3, M4, M5, M6, M7, M8) |
| 0163R00007 | HEATER, CRANKCASE 230V, 40W (M5, M6, M7, M8, M11, M12, M13, M14) |
| 0163R00006 | HEATER, CRANKCASE 230V, 40W (M1, M2, M3, M4, M9, M10) |
| 0130M00054 | OUTDOOR AIR TEMP SENSOR |
| 0130M00053 | OUTDOOR COIL TEMP SENSOR |
| PCBHR104 | PCB, CONTROL BOARD |
| 0151R00071 | REVERSING VALVE (M4, M6, M8, M10, M12, M14) |
| 0151M00018 | REVERSING VALVE (M1) |
| 0151R00068 | REVERSING VALVE (M2) |
| 0151M00021 | REVERSING VALVE (M3, M5, M7, M9, M11, M13) |
| 0130M00084 | SOLENOID HARNESS W/1/4" TERM |
| 0151M00010 | TXV VALVE (M5, M6, M7, M8, M11, M12, M13, M14) |
| 0151M00004 | TXV VALVE (M1, M2) |
| 0151M00002 | TXV VALVE (M3, M4, M9, M10) |
| 0151R00032 | VALVE, SERVICE 3/4" OPEN LEFT (M1, M2) |
| 0151R00033 | VALVE, SERVICE 7/8" OPEN LEFT (M3, M4, M5, M6, M7, M8, M9, M10, M11, M12, M13, M14) |

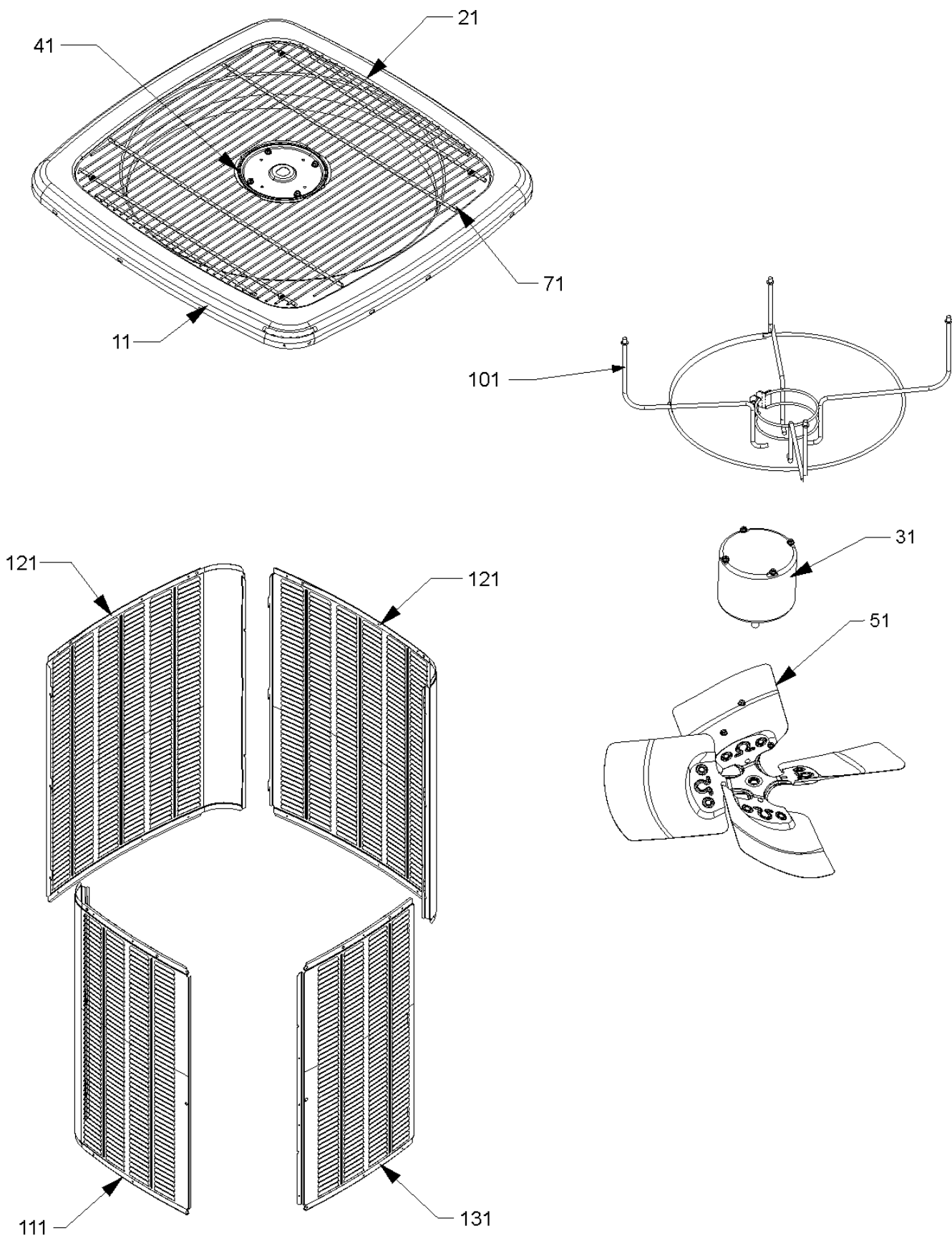
Expanded Model Nomenclature

| |
|--------------------|
| M1 - DZ16TC0241AA |
| M2 - DZ16TC0241AB |
| M3 - DZ16TC0361AA |
| M4 - DZ16TC0361AB |
| M5 - DZ16TC0481AA |
| M6 - DZ16TC0481AB |
| M7 - DZ16TC0601AA |
| M8 - DZ16TC0601AB |
| M9 - DZ18TC0361AA |
| M10 - DZ18TC0361AB |
| M11 - DZ18TC0481AA |
| M12 - DZ18TC0481AB |
| M13 - DZ18TC0601AA |
| M14 - DZ18TC0601AB |

SPECIAL PARTS

| | |
|------------|-------------------|
| 0161R00036 | NAMEPLATE, DAIKIN |
|------------|-------------------|

Cabinet Top / Side Panels



Cabinet Top / Side Panels

| Ref. Part No: | No: | Description: | Ref. Part No: | No: | Description: |
|-----------------|---------------|--|---------------|-----|--------------|
| Image 1: | | | | | |
| 11 | 0121R00011PNG | VENTURI TOP PANEL 29" (M1, M2) | | | |
| 11 | 0121R00013PNG | VENTURI TOP PANEL 35" (M3, M4, M5, M6, M7, M8, M9, M10, M11, M12, M13, M14) | | | |
| 21 | 0152R00011 | GRILLE, WIRE 29" TOP (M1, M2) | | | |
| 21 | 0152R00014 | GRILLE, WIRE 35" TOP (M3, M4, M5, M6, M7, M8, M9, M10, M11, M12, M13, M14) | | | |
| 31 | 0131M00295 | COND MOTOR 1/6 HP, 2 SP, 8 PL (M1, M2, M3, M4, M5, M6, M7, M8) | | | |
| 31 | 0131M00401 | COND MOTOR-ECM (M9, M10, M11, M12, M13, M14) | | | |
| 41 | M0280801 | HEX NUT (M1, M2, M3, M4, M5, M6, M7, M8) | | | |
| 41 | B1393024 | LOCK NUT (M9, M10, M11, M12, M13, M14) | | | |
| 51 | 10625737 | FAN BLADE 22" ALUM CCW (M1, M2) | | | |
| 51 | 0150M00010 | FAN BLADE 26" ALUM CCW (M9, M10, M11, M12, M13, M14) | | | |
| 51 | 10625738 | FAN BLADE 26" ALUM CCW (M3, M4, M5, M6, M7, M8) | | | |
| 71 | 0163M00003P | SCREW #10 X 1/2, A, SLOT, SR, BLACK (QTY 6) | | | |
| 101 | 0121R00301 | MOTOR MOUNT BRACKET (M9, M10, M11, M12, M13, M14) | | | |
| 111 | 4400464PNGB | PANEL 1, BENT LOUVER (M3, M4, M5, M6, M7, M8, M9, M10, M11, M12, M13, M14) | | | |
| 111 | 4400458PNGB | PANEL 1, BENT LOUVER PNT (M1, M2) | | | |
| 121 | 4400466PNGB | PANEL 2, BENT LOUVER (M3, M4, M5, M6, M7, M8) | | | |
| 121 | 4400460PNGB | PANEL 2, BENT LOUVER 29_36 (M1, M2) | | | |
| 121 | 0270R00343NGB | PANEL 2, BENT LOUVER ASSY (M9, M10, M11, M12, M13, M14) | | | |
| 131 | 4400468PNG | LOUVERED SIDE PANEL [RT OF CNTL PNL] (M3, M4, M5, M6, M7, M8, M9, M10, M11, M12, M13, M14) | | | |
| 131 | 4400462PNG | PANEL 3, LOUVER 29_36 HRZ (M1, M2) | | | |
| NS | 0161R00002P | CONDUIT (M1, M2) | | | |
| NS | 0161R00004P | CONDUIT (M3, M4, M5, M6, M7, M8) | | | |
| NS | 0161R00038 | GRILL CAP | | | |

Expanded Model Nomenclature

| |
|--------------------|
| M1 - DZ16TC0241AA |
| M2 - DZ16TC0241AB |
| M3 - DZ16TC0361AA |
| M4 - DZ16TC0361AB |
| M5 - DZ16TC0481AA |
| M6 - DZ16TC0481AB |
| M7 - DZ16TC0601AA |
| M8 - DZ16TC0601AB |
| M9 - DZ18TC0361AA |
| M10 - DZ18TC0361AB |
| M11 - DZ18TC0481AA |
| M12 - DZ18TC0481AB |
| M13 - DZ18TC0601AA |
| M14 - DZ18TC0601AB |

Control & Access Panel/Cover/Cond Coil

Image 1

*If end bells are needed please order the following:

0131M00182 - 1/2 HP

0131M00183 - 3/4 HP

0131M00184 - 1 HP

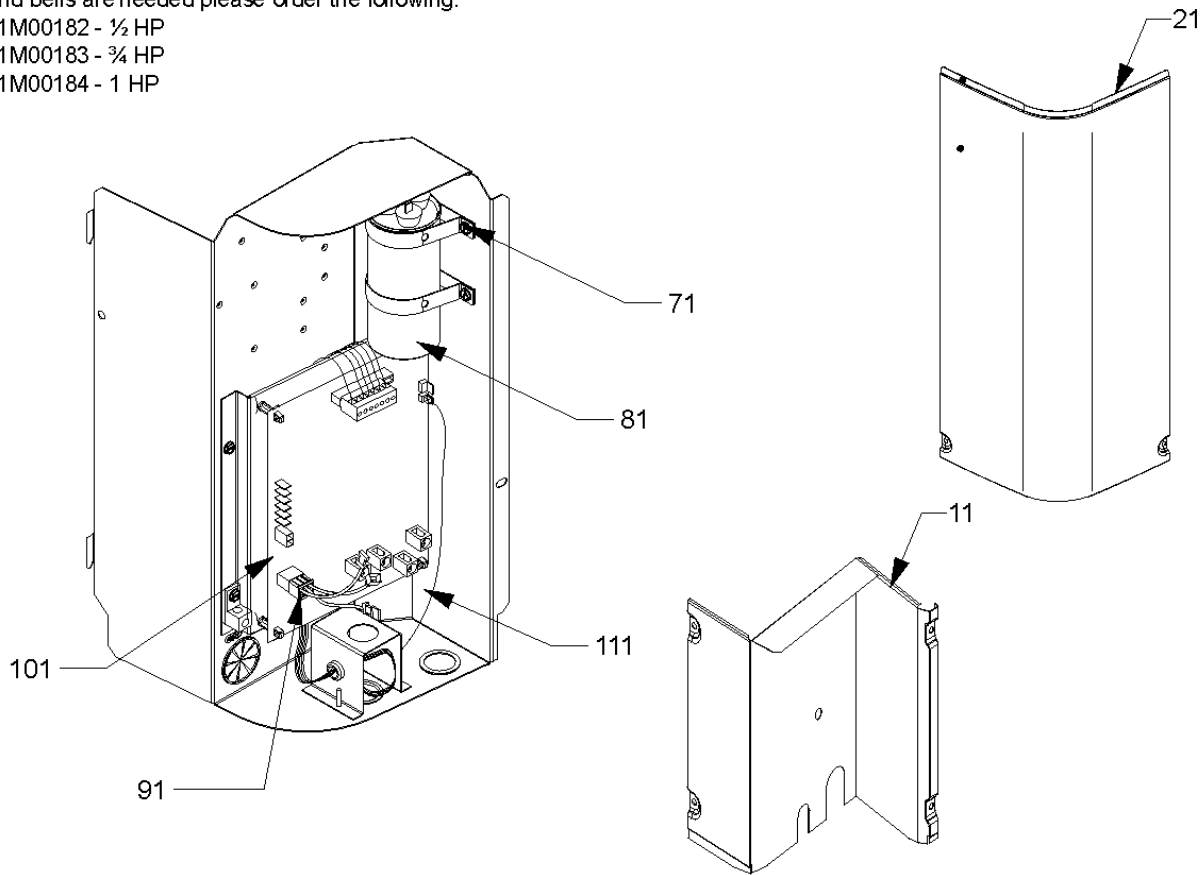
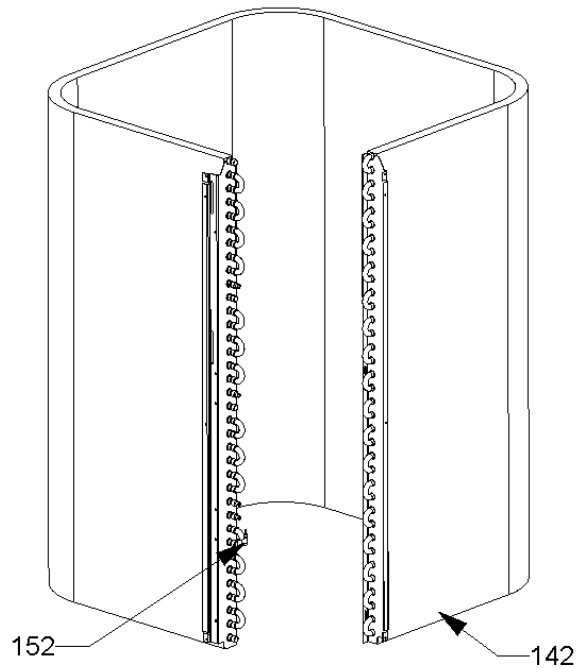


Image 2



Control & Access Panel/Cover/Cond Coil

| Ref. Part No: No: | Description: | Ref. Part No: No: | Description: |
|-------------------|--------------|-------------------|--------------|
|-------------------|--------------|-------------------|--------------|

Image 1:

| | | |
|-----|----------------|---|
| 11 | 0121R00317 | LOWER ACCESS PANEL |
| 21 | 0121R00054PNG | CONTROL COVER, LARGE PNT |
| 71 | 0121R00213 | CAPACITOR STRAP (QTY 2) |
| 81 | CAP050300440RS | CAPACITOR 5/30/370V (M5, M6, M11, M12) |
| 81 | CAP050350440CS | CAPACITOR 5/35/440V (M1, M2) |
| 81 | CAP050400440RT | CAPACITOR 5/40/440V/DUAL RD (M3, M4, M7, M8, M9, M10, M13, M14) |
| 91 | 0159R00011 | WIRE ASSEMBLY, ECM MOTOR (M9, M10, M11, M12, M13, M14) |
| 91 | 0159R00010 | WIRE ASSEMBLY, PSC MOTOR (M1, M2, M3, M4, M5, M6, M7, M8) |
| 101 | PCBHR104 | PCB, CONTROL BOARD |
| 111 | 0130M00054 | OUTDOOR AIR TEMP SENSOR |
| NS | 0161R00036 | NAMEPLATE, DAIKIN |
| NS | 0130R00007 | SHARED DATA (M1, M2) |
| NS | 0130R00009 | SHARED DATA (M3, M4) |
| NS | 0130R00010 | SHARED DATA (M9, M10) |
| NS | 0130R00012 | SHARED DATA (M5, M6) |
| NS | 0130R00014 | SHARED DATA (M11, M12) |
| NS | 0130R00016 | SHARED DATA (M7, M8) |
| NS | 0130R00018 | SHARED DATA (M13, M14) |

Image 2:

| | | |
|-----|------------|---|
| 142 | 0201R00341 | TUBING ASSY, COND COIL (M5, M6, M7, M8, M11, M12, M13, M14) |
| 142 | 0201R00346 | TUBING ASSY, COND COIL (M1, M2) |
| 142 | 0201R00347 | TUBING ASSY, COND COIL (M3, M4) |
| 142 | 0201R00348 | TUBING ASSY, COND COIL (M9, M10) |
| 152 | 0130M00053 | OUTDOOR COIL TEMP SENSOR |

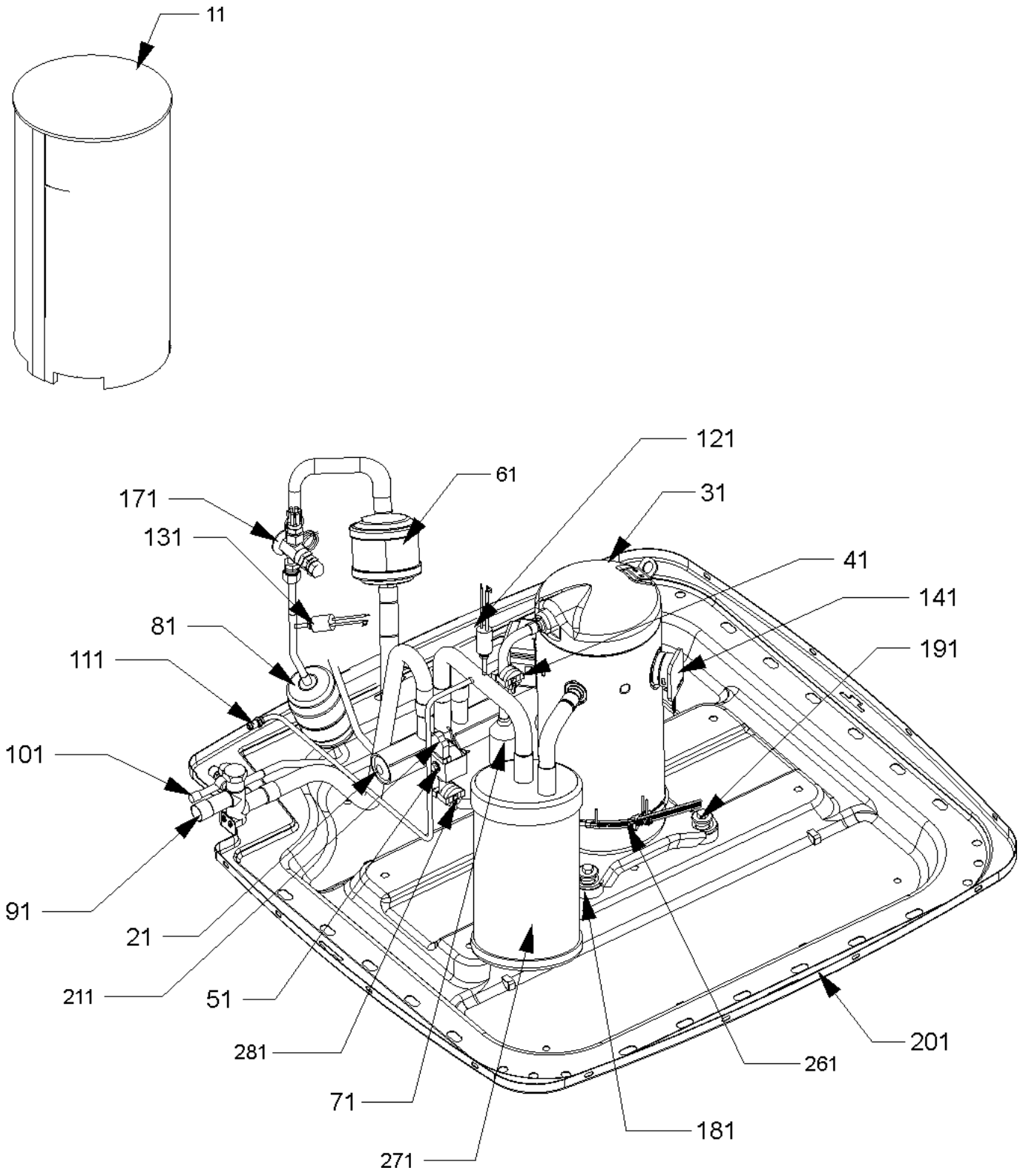
Expanded Model Nomenclature

- | |
|--------------------|
| M1 - DZ16TC0241AA |
| M2 - DZ16TC0241AB |
| M3 - DZ16TC0361AA |
| M4 - DZ16TC0361AB |
| M5 - DZ16TC0481AA |
| M6 - DZ16TC0481AB |
| M7 - DZ16TC0601AA |
| M8 - DZ16TC0601AB |
| M9 - DZ18TC0361AA |
| M10 - DZ18TC0361AB |
| M11 - DZ18TC0481AA |
| M12 - DZ18TC0481AB |
| M13 - DZ18TC0601AA |
| M14 - DZ18TC0601AB |

*If end bells are needed please order the following:

- 0131M00182 - 1/2 HP
- 0131M00183 - 3/4 HP
- 0131M00184 - 1 HP

Basepan / Compressor / Tubing Assembly



Basepan / Compressor / Tubing Assembly

| Ref. Part No: No: | Description: | Ref. Part No: No: | Description: |
|-------------------|----------------|---|--------------------|
| Image 1: | | Expanded Model Nomenclature | |
| 11 | B1488806 | COMPRESSOR SOUND BLANKET (M5, M6, M7, M8, M11, M12, M13, M14) | M1 - DZ16TC0241AA |
| 11 | B1488810 | COMPRESSOR SOUND BLANKET (M1, M2, M3, M4, M9, M10) | M2 - DZ16TC0241AB |
| 21 | 0151M00018 | REVERSING VALVE (M1) | M3 - DZ16TC0361AA |
| 21 | 0151M00021 | REVERSING VALVE (M3, M5, M7, M9, M11, M13) | M4 - DZ16TC0361AB |
| 21 | 0151R00068 | REVERSING VALVE (M2) | M5 - DZ16TC0481AA |
| 21 | 0151R00071 | REVERSING VALVE (M4, M6, M8, M10, M12, M14) | M6 - DZ16TC0481AB |
| 31 | ZPS20K5EPFV130 | COMPRESSOR 20000, 208/230 (M1, M2) | M7 - DZ16TC0601AA |
| 31 | ZPS30K5EPFV130 | COMPRESSOR 30000, 208/230 (M3, M4, M9, M10) | M8 - DZ16TC0601AB |
| 31 | ZPS40K5EPFV130 | COMPRESSOR 41100, 208/230/60/1 (M5, M6, M11, M12) | M9 - DZ18TC0361AA |
| 31 | ZPS49K5EPFV130 | COMPRESSOR 49100, 208/230/60/1 (M7, M8, M13, M14) | M10 - DZ18TC0361AB |
| 41 | 11046710 | DISC-THERMOSTAT | M11 - DZ18TC0481AA |
| 61 | 20270812 | COMPENSATOR (M5, M6, M7, M8, M9, M10, M11, M12, M13, M14) | M12 - DZ18TC0481AB |
| 61 | 0151R00005 | COMPENSATOR 16 OZ (M3, M4) | M13 - DZ18TC0601AA |
| 61 | 0151R00006 | COMPENSATOR 3.5 (M1, M2) | M14 - DZ18TC0601AB |
| 71 | 0162R00007 | MUFFLER 1/2 X 1/2 | |
| 81 | 20485201 | BI-FLOW FILTER DRIER | |
| 91 | 0151R00032 | VALVE, SERVICE 3/4" OPEN LEFT (M1, M2) | |
| 91 | 0151R00033 | VALVE, SERVICE 7/8" OPEN LEFT (M3, M4, M5, M6, M7, M8, M9, M10, M11, M12, M13, M14) | |
| 101 | B12825171 | 3/8" SERVICE VALVE | |
| 111 | B1787000 | VALVE CORE | |
| 121 | 0130R00002 | CUT-OUT SWITCH, LOW PRESSURE | |
| 131 | 0130R00003 | CUT-OUT SWITCH, HIGH PRESSURE | |
| 141 | 0159R00009 | COMPRESSOR SCROLL HARNESS | |
| 171 | 0151M00002 | TXV VALVE (M3, M4, M9, M10) | |
| 171 | 0151M00004 | TXV VALVE (M1, M2) | |
| 171 | 0151M00010 | TXV VALVE (M5, M6, M7, M8, M11, M12, M13, M14) | |
| 181 | 0164M00018 | COMPRESSOR GROMMET (M9, M10, M11, M12, M13, M14) | |
| 181 | B1339533 | COMPRESSOR GROMMET (M1, M2, M3, M4, M5, M6, M7, M8) | |
| 191 | M0221641 | TF SHOULDER SCREW (QTY 4) | |
| 201 | 0121R00006PNG | BASE PAN, 29" PNT (M1, M2) | |
| 201 | 0121R00007PNG | BASE PAN, 35.5" PNT (M3, M4, M5, M6, M7, M8, M9, M10, M11, M12, M13, M14) | |
| 211 | 0130M00084 | SOLENOID HARNESS W/1/4" TERM | |
| 261 | 0163R00006 | HEATER, CRANKCASE 230V, 40W (M1, M2, M3, M4, M9, M10) | |
| 261 | 0163R00007 | HEATER, CRANKCASE 230V, 40W (M5, M6, M7, M8, M11, M12, M13, M14) | |
| 271 | 0151L00008 | ACCUMULATOR (M1, M2) | |
| 271 | 0151L00009 | ACCUMULATOR (M3, M4, M9, M10) | |
| 271 | 0151L00010 | ACCUMULATOR (M5, M6, M7, M8, M11, M12, M13, M14) | |
| 281 | 0130M00106 | DISC THERMOSTAT CRNKCS HTR SW | |
| NS | 0163M00087 | ACCESS FITTING | |
| NS | B1373305 | ACCESS FITTING | |
| NS | 0163M00175 | CAP WITH O-RING | |
| NS | B1796633 | TEFLON O-RING (QTY 2) | |