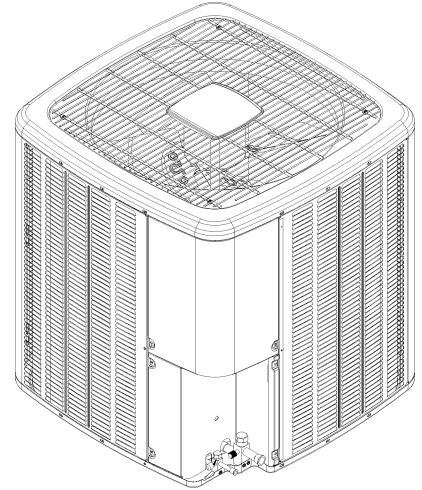


DZ16SA Remote Heat Pump

DZ16SA0241AA
DZ16SA0241AB
DZ16SA0361AA
DZ16SA0361AB
DZ16SA0481AA
DZ16SA0481AB
DZ16SA0601AA
DZ16SA0601AB



This manual is to be used by qualified technicians only.

This manual replaces RP-D4012B.

Important Information

Index

Functional Parts List	3
Illustration and Parts	4 - 9

Views shown are for parts illustrations only, not servicing procedures.

Text Codes:

AR - As Required

NA - Not Available

NS - Not Shown

00000000 - See Note

QTY - Quantity Example (QTY 3) (If Quantity not shown, Quantity = 1)

M - Model Example (M1) (If M Code not shown, then part is used on all Models)

Expanded Model Nomenclature:

Example
M1 - Model#1
M2 - Model#2
M3 - Model#3

Daikin Manufacturing Company, L.P. is not responsible for personal injury or property damage resulting from improper service. Review all service information before beginning repairs.

Warranty service must be performed by an authorized technician, using authorized factory parts. If service is required after the warranty expires, Daikin Manufacturing Company, L.P. also recommends contacting an authorized technician and using authorized factory parts.

Daikin Manufacturing Company, L.P. reserves the right to discontinue, or change at any time, specifications or designs without notice or without incurring obligations.

For assistance within the U.S.A. contact:

Homeowner Support
Daikin North America, LLC
19001 Kermier Road
Waller, Texas 77484
855-770-5678-Telephone
713-863-2382-Facsimile

For assistance outside the U.S.A. contact:

International Division
Daikin North America, LLC
19001 Kermier Road
Waller, Texas 77484
713-861-2500-Telephone
713-863-2382-Facsimile

Functional Parts

Part No: **Description:**

0151R00167	BASE VALVE 3/8"
CAP050400440CT	CAPACITOR 5/40/440V/DUAL RD (M1, M2, M7, M8)
CAP050450440CT	CAPACITOR 5/45/440V/DUAL RD (M3, M4, M5, M6)
ZPS49K5EPFV130	COMP, 49100,208/230/60/1 (M7, M8)
ZP20K5EPFV130	COMP,20000,208/230/60/1 (M1, M2)
ZP29K5EPFV130	COMP,29000,208/230/60/1 (M3, M4)
ZP38K5EPFV130	COMP,37500,208/230/60/1 (M5, M6)
0131M00060	COND MOTOR 1/6 HP, 1 SP, 8 PL (M1, M2)
0131M00038	COND MOTOR 1/6 HP, 2 SP, 8 PL (M7, M8)
0131M00012P	COND MOTOR, 1/6HP, 1SP, 8PL (M3, M4, M5, M6)
CONT1P025024V	CONTACTOR 25 AMP, 1P, 24V (M1, M2, M3, M4)
CONT1P030024V	CONTACTOR 30 AMP, 1P, 24V (M5, M6)
CONT2P040024V	CONTACTOR 40 AMP, 2P, 24V (M7, M8)
0130M00105	CONTROL, DEFROST
571006700	CoreSense Module
PCBDM133	DEFROST CONTROL BOARD
0130M00106	DISC THERMOSTAT CRNKCS HTR SW
0150M00008	FAN BLADE 22" TNT2203-25 (M1, M2)
10625738	FAN BLADE 26" ALUM CCW (M3, M4, M5, M6, M7, M8)
0163R00006	HEATER, CRANKCASE 230V, 40W (M1, M2, M3, M4)
0163R00007	HEATER, CRANKCASE 230V, 40W (M5, M6, M7, M8)
0130M00088	LOW PRESSURE SWITCH
10135604	RELAY (M7, M8)
0151R00068	REVERSING VALVE (M2)
0151M00021	REVERSING VALVE (M3, M5, M7)
0151R00071	REVERSING VALVE (M4, M6, M8)
0151M00018	REVERSING VALVE (M1)
B1225022	SOLENOID COIL
0130M00089	SW-CUTOUT HI PRESS (M1, M3, M5, M7, M8)
0130R00003	SW-CUTOUT HI PRESS (M2, M4, M6)
11046711	THERMOSTAT DISC (M7, M8)
0151M00068	VALVE, TXV R-410A (M5, M6, M7, M8)
0151M00070	VALVE, TXV R-410A (M1, M2)
0151M00069	VALVE, TXV R-410A (M3, M4)

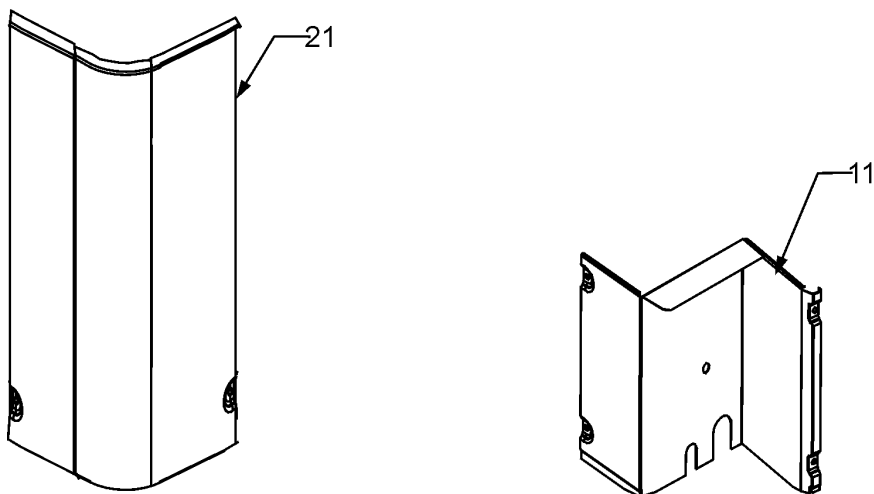
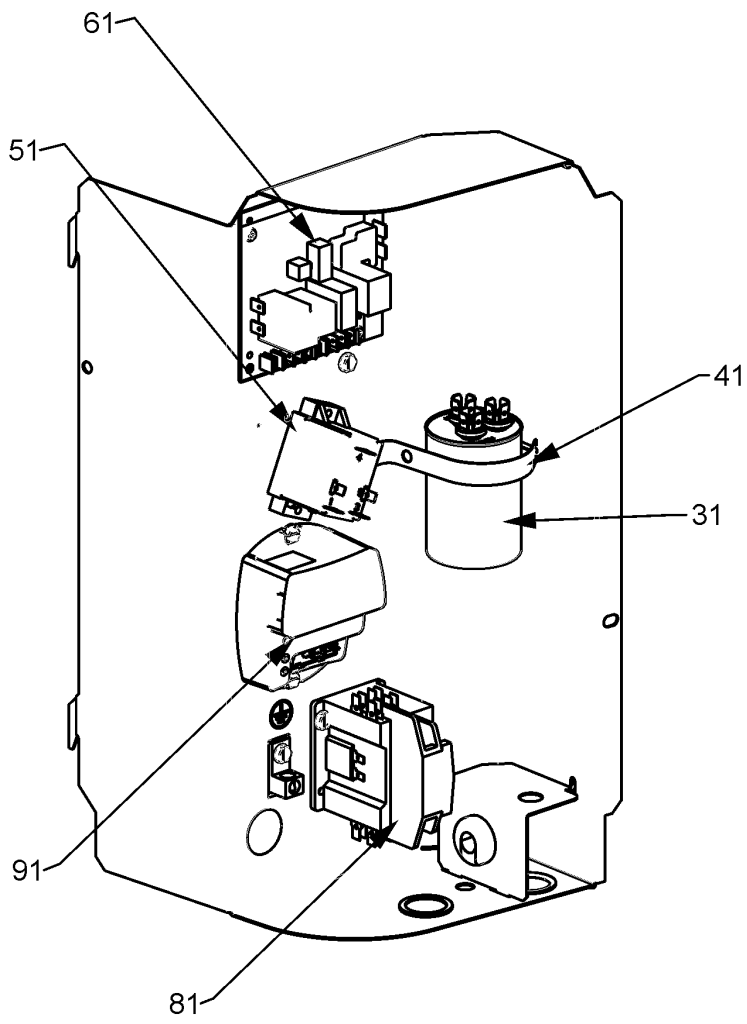
Expanded Model Nomenclature

M1 - DZ16SA0241AA
M2 - DZ16SA0241AB
M3 - DZ16SA0361AA
M4 - DZ16SA0361AB
M5 - DZ16SA0481AA
M6 - DZ16SA0481AB
M7 - DZ16SA0601AA
M8 - DZ16SA0601AB

SPECIAL PARTS

0161R00095	CAP, GRILL
0161R00093	NAMEPLATE, DAIKIN

Control Box Assy



Control Box Assy

Ref. Part No:	Part No:	Description:	Ref. Part No:	Part No:	Description:
---------------	----------	--------------	---------------	----------	--------------

Image 1:

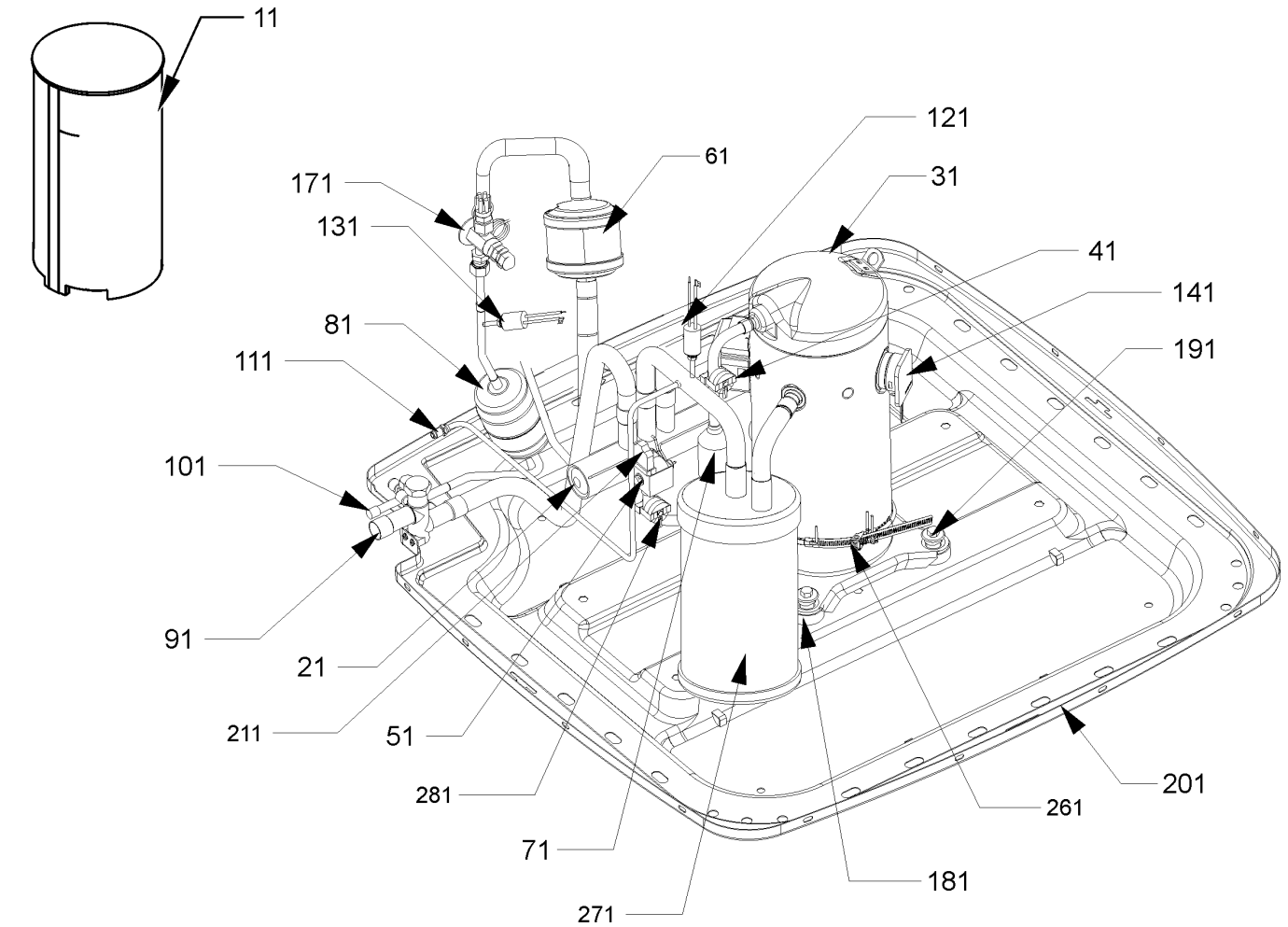
11	0121R00317PNG	LOWER ACCESS PANEL (M7, M8)
11	0121R00318PNG	LOWER ACCESS PANEL (M1, M2, M3, M4, M5, M6)
21	0121R00053PNG	CONTROL COVER (M1, M2, M3, M4, M5, M6)
21	0121R00054PNG	CONTROL COVER (M7, M8)
31	CAP050400440CT	CAPACITOR 5/40/440V/DUAL RD (M1, M2, M7, M8)
31	CAP050450440CT	CAPACITOR 5/45/440V/DUAL RD (M3, M4, M5, M6)
41	4400065	CAPACITOR STRAP
51	10135604	RELAY (M7, M8)
61	PCBDM133	DEFROST CONTROL BOARD
81	CONT1P025024V	CONTACTOR 25 AMP, 1P, 24V (M1, M2, M3, M4)
81	CONT1P030024V	CONTACTOR 30 AMP, 1P, 24V (M5, M6)
81	CONT2P040024V	CONTACTOR 40 AMP, 2P, 24V (M7, M8)
91	571006700	CoreSense Module
NS	0161R00093	NAMEPLATE, DAIKIN

Expanded Model Nomenclature

M1 - DZ16SA0241AA
M2 - DZ16SA0241AB
M3 - DZ16SA0361AA
M4 - DZ16SA0361AB
M5 - DZ16SA0481AA
M6 - DZ16SA0481AB
M7 - DZ16SA0601AA
M8 - DZ16SA0601AB

Compressor / Tubing Assembly

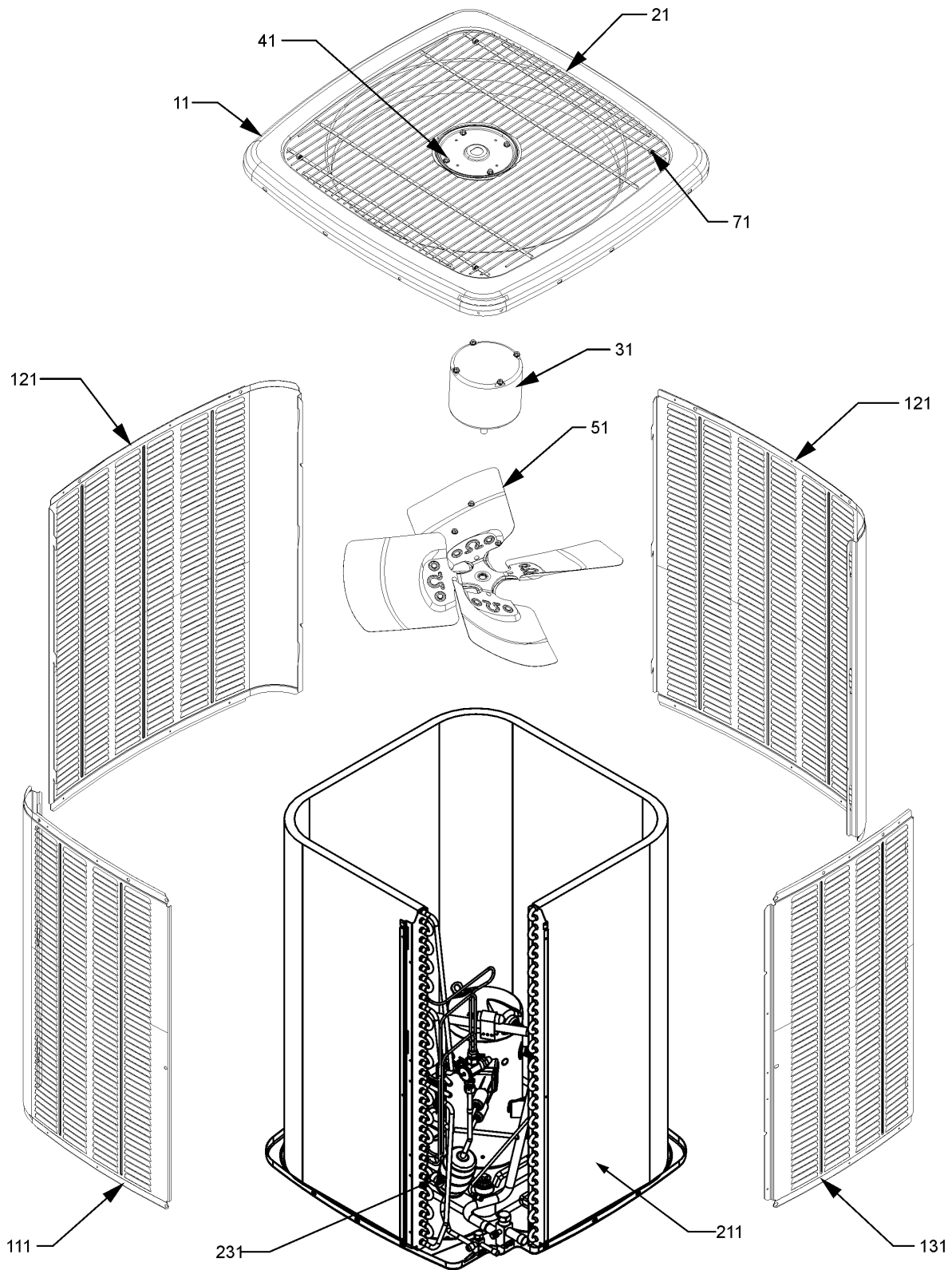
IMAGE 1



Compressor / Tubing Assembly

Ref. Part No: No:	Description:	Ref. Part No: No:	Description:								
Image 1:		Image 1:									
11	B1488806 COMPRESSOR SOUND BLANKET (M5, M6, M7, M8)	NS	B1796633 TEFLON O-RING (QTY 2)								
11	B1488807 COMPRESSOR SOUND BLANKET (M3, M4)	Expanded Model Nomenclature									
11	B1488810 COMPRESSOR SOUND BLANKET (M1, M2)	<table border="1"> <tr><td>M1 - DZ16SA0241AA</td></tr> <tr><td>M2 - DZ16SA0241AB</td></tr> <tr><td>M3 - DZ16SA0361AA</td></tr> <tr><td>M4 - DZ16SA0361AB</td></tr> <tr><td>M5 - DZ16SA0481AA</td></tr> <tr><td>M6 - DZ16SA0481AB</td></tr> <tr><td>M7 - DZ16SA0601AA</td></tr> <tr><td>M8 - DZ16SA0601AB</td></tr> </table>		M1 - DZ16SA0241AA	M2 - DZ16SA0241AB	M3 - DZ16SA0361AA	M4 - DZ16SA0361AB	M5 - DZ16SA0481AA	M6 - DZ16SA0481AB	M7 - DZ16SA0601AA	M8 - DZ16SA0601AB
M1 - DZ16SA0241AA											
M2 - DZ16SA0241AB											
M3 - DZ16SA0361AA											
M4 - DZ16SA0361AB											
M5 - DZ16SA0481AA											
M6 - DZ16SA0481AB											
M7 - DZ16SA0601AA											
M8 - DZ16SA0601AB											
21	0151M00018 REVERSING VALVE (M1)										
21	0151M00021 REVERSING VALVE (M3, M5, M7)										
21	0151R00068 REVERSING VALVE (M2)										
21	0151R00071 REVERSING VALVE (M4, M6, M8)										
31	ZPS49K5EPFV130 COMP, 49100,208/230/60/1 (M7, M8)										
31	ZP20K5EPFV130 COMP,20000,208/230/60/1 (M1, M2)										
31	ZP29K5EPFV130 COMP,29000,208/230/60/1 (M3, M4)										
31	ZP38K5EPFV130 COMP,37500,208/230/60/1 (M5, M6)										
41	11046711 THERMOSTAT DISC (M7, M8)										
51	B1225022 SOLENOID COIL										
61	20270812 COMPENSATOR (M7, M8)										
61	0151R00005 COMPENSATOR 16 OZ (M3, M4, M5, M6)										
61	0151R00006 COMPENSATOR 3.5 (M1, M2)										
71	0162R00007 MUFFLER 1/2 X 1/2										
81	20485201 BI-FLOW FILTER DRIER										
91	0151R00079 BASE VALVE 3/4" (M1, M2)										
91	0151R00080 BASE VALVE 7/8" (M3, M4, M5, M6, M7, M8)										
101	0151R00167 BASE VALVE 3/8"										
111	B1787000 VALVE CORE										
121	0130M00088 LOW PRESSURE SWITCH										
131	0130M00089 SW-CUTOUT HI PRESS (M1, M3, M5, M7, M8)										
131	0130R00003 SW-CUTOUT HI PRESS (M2, M4, M6)										
141	0159R00001P COMPRESSOR SCROLL HARNESS (M1, M2)										
141	0159R00002P COMPRESSOR SCROLL HARNESS (M3, M4, M5, M6)										
141	0159R00009 COMPRESSOR SCROLL HARNESS (M7, M8)										
171	0151M00068 VALVE, TXV R-410A (M5, M6, M7, M8)										
171	0151M00069 VALVE, TXV R-410A (M3, M4)										
171	0151M00070 VALVE, TXV R-410A (M1, M2)										
181	B1339533 COMPRESSOR GROMMET (QTY 4)										
191	M0221641 TF SHOULDER SCREW (QTY 4)										
201	0121R00006PNG BASE PAN 29" (M1, M2)										
201	0121R00007PNG BASE PAN 35" (M3, M4, M5, M6, M7, M8)										
211	0201R00342 COIL TUBING ASSY (M7, M8)										
211	0201R00343 COIL TUBING ASSY (M1)										
211	0201R00344 COIL TUBING ASSY (M3)										
211	0201R00345 COIL TUBING ASSY (M5)										
211	0130M00083 SOLENOID HARNESS W/1/4" TERM										
231	0130M00105 CONTROL, DEFROST										
261	0163R00006 HEATER, CRANKCASE 230V, 40W (M1, M2, M3, M4)										
261	0163R00007 HEATER, CRANKCASE 230V, 40W (M5, M6, M7, M8)										
271	0151L00008 ACCUMULATOR (M1, M2)										
271	0151L00009 ACCUMULATOR (M3, M4)										
271	0151L00010 ACCUMULATOR (M5, M6, M7, M8)										
281	0130M00106 DISC THERMOSTAT CRNKCS HTR SW										
NS	0163M00087 ACCESS FITTING										
NS	B1373305 ACCESS FITTING										
NS	0163M00175 CAP WITH O-RING										
NS	0161R00002P CONDUIT (M1, M2)										
NS	0161R00004P CONDUIT (M3, M4, M5, M6, M7, M8)										
NS	0130M00083 REVERSING VALVE HARNESS										

Cabinet Top / Side Panels



Cabinet Top / Side Panels

Ref. Part No:	Part No:	Description:	Ref. Part No:	Part No:	Description:
Image 1:					
11	0121R00011PNG	PANEL, VENTURI 29" PNT (M1, M2)			
11	0121R00013PNG	PANEL, VENTURI 35" PNT (M3, M4, M5, M6, M7, M8)			
21	0152R00015	GRILLE, WIRE 29" TOP (M1, M2)			
21	0152R00016	GRILLE, WIRE 35" TOP (M3, M4, M5, M6, M7, M8)			
31	0131M00060	COND MOTOR 1/6 HP, 1 SP, 8 PL (M1, M2)			
31	0131M00038	COND MOTOR 1/6 HP, 2 SP, 8 PL (M7, M8)			
31	0131M00012P	COND MOTOR, 1/6HP, 1SP, 8PL (M3, M4, M5, M6)			
41	M0280801	HEX NUT (QTY 4)			
51	0150M00008	FAN BLADE 22" TNT2203-25 (M1, M2)			
51	10625738	FAN BLADE 26" ALUM CCW (M3, M4, M5, M6, M7, M8)			
71	0163M00003P	SCREW #10 X 1/2, A, SLOT, SR, BLACK (QTY 6)			
111	4400458PNGB	PANEL 1, BENT LOUVER (M1, M2)			
111	4400464PNGB	PANEL 1, BENT LOUVER (M3, M4, M5, M6, M7, M8)			
121	4400460PNGB	PANEL 2,BENT LOUVER (M1, M2)			
121	4400466PNGB	PANEL 2,BENT LOUVER (M3, M4, M5, M6, M7, M8)			
131	4400462PNG	PANEL 3,LOUVER (M1, M2)			
131	4400468PNG	PANEL 3,LOUVER (M3, M4, M5, M6, M7, M8)			
NS	0161R00095	CAP, GRILL			
NS	0161R00002P	CONDUIT (M1, M2)			
NS	0161R00004P	CONDUIT (M3, M4, M5, M6, M7, M8)			

Expanded Model Nomenclature

- | |
|-------------------|
| M1 - DZ16SA0241AA |
| M2 - DZ16SA0241AB |
| M3 - DZ16SA0361AA |
| M4 - DZ16SA0361AB |
| M5 - DZ16SA0481AA |
| M6 - DZ16SA0481AB |
| M7 - DZ16SA0601AA |
| M8 - DZ16SA0601AB |