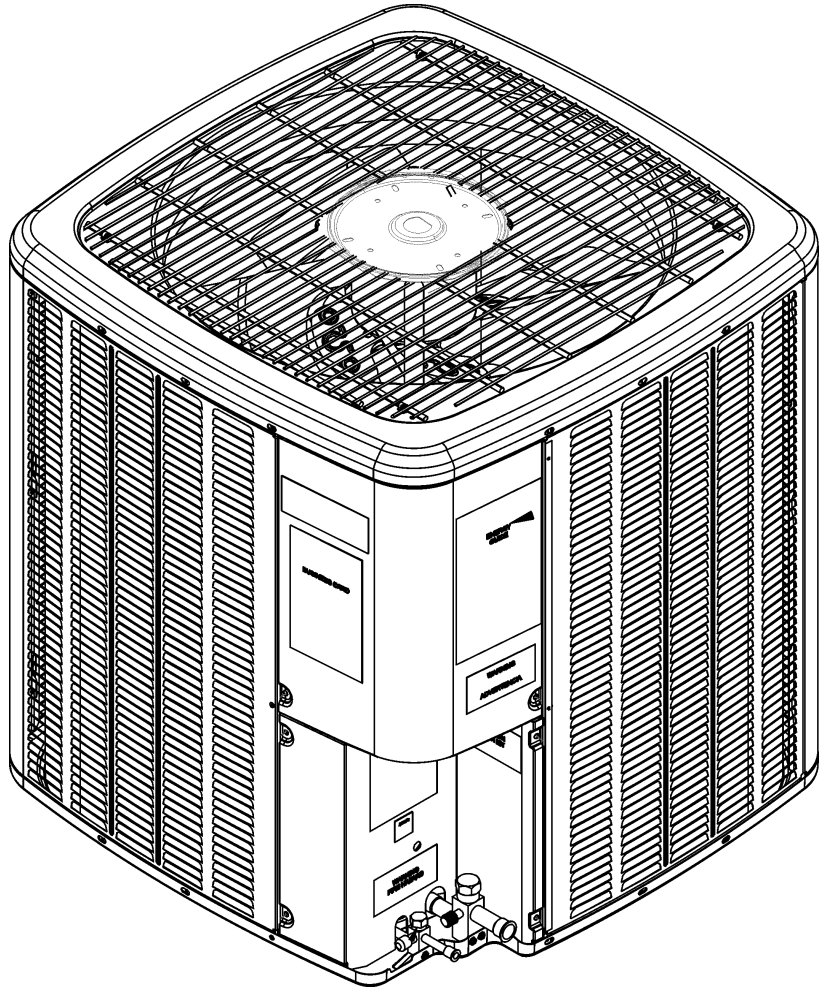


DZ16SA Remtoe Heat Pump

DZ16SA0181BA
DZ16SA0181BB
DZ16SA0181BC
DZ16SA0241BA
DZ16SA0241BB
DZ16SA0301BA
DZ16SA0301BB
DZ16SA0361BA
DZ16SA0421BA
DZ16SA0481BA
DZ16SA0601BA



This manual is to be used by qualified technicians only.

This manual replaces RP-D4034D.

© 2015 - 2016 **DAIKIN MANUFACTURING COMPANY, L.P.** ♦ 5151 San Felipe St., Suite 500 ♦ Houston, TX 77056

Important Information

Index

Functional Parts List	3
Illustration and Parts	4 - 9

Views shown are for parts illustrations only, not servicing procedures

Text Codes:

AR - As Required

NA - Not Available

NS - Not Shown

00000000 - See Note

QTY - Quantity Example (QTY 3) (If Quantity not shown, Quantity = 1)

M - Model Example (M1) (If M Code not shown, then part is used on all Models)

Expanded Model Nomenclature:

Example M1 - Model#1 M2 - Model#2 M3 - Model#3

Daikin Manufacturing Company, L.P. is not responsible for personal injury or property damage resulting from improper service. Review all service information before beginning repairs.

Warranty service must be performed by an authorized technician, using authorized factory parts. If service is required after the warranty expires, Daikin Manufacturing Company, L.P. also recommends contacting an authorized technician and using authorized factory parts.

Daikin Manufacturing Company, L.P. reserves the right to discontinue, or change at any time, specifications or designs without notice or without incurring obligations.

For assistance within the U.S.A. contact:

Homeowner Support
Daikin North America, LLC
19001 Kermier Road
Waller, Texas 77484
855-770-5678-Telephone
713-863-2382-Facsimile

For assistance outside the U.S.A. contact:

International Division
Daikin North America, LLC
19001 Kermier Road
Waller, Texas 77484
713-861-2500-Telephone
713-863-2382-Facsimile

Functional Parts

Part

No: Description:

0151R00079	BASE VALVE 3/4" (M1, M2, M3, M4, M5, M6, M7)
0151R00078	BASE VALVE 3/8"
0151R00080	BASE VALVE 7/8" (M8, M9, M10, M11)
CAP050300440CS	CAP.5/30MFD/440V/DUAL RD (M1, M2, M3)
CAP050350440CS	CAPACITOR 5/35/440V (M4, M5, M6, M7)
CAP050400440CT	CAPACITOR 5/40/440V/DUAL RD (M11)
CAP050450440CT	CAPACITOR 5/45/440V/DUAL RD (M8, M9, M10)
ZP14K6EPFV130	COMP, 14,000,208/230/60/1 (M1, M2, M3)
ZP20K6EPFV130	COMP, 20,000,208/230/60/1 (M4, M5)
ZP29K6EPFV130	COMP, 29,000,208/230/60/1 (M8)
ZP34K6EPFV130	COMP, 46500, 208/230/60/1 (M9)
ZP25K6EPFV130	COMP,34200,208/230/60/1 (M6, M7)
ZP39K5EPFV130	COMPRESSOR 39000, 208/230/60/1 (M10)
ZPS49K5EPFV130	COMPRESSOR 49100, 208/230/60/1 (M11)
0131M00018P	COND MOTOR 1/4 HP, 1 SP, 6 PL (M9)
0131M00061	COND MOTOR 1/4 HP, 1 SP, 8 PL (M4, M6, M8, M10)
0131M00060	COND MOTOR 1/6 HP, 1 SP, 8 PL (M1, M2)
0131M00038	COND MOTOR 1/6 HP, 2 SP, 8 PL (M11)
CONT1P025024V	CONTACTOR 25 AMP, 1P, 24V (M1, M2, M3, M4, M5, M6, M7, M8)
CONT1P030024V	CONTACTOR 30 AMP, 1P, 24V (M9, M10)
CONT2P040024V	CONTACTOR 40 AMP, 2P, 24V (M11)
0130M00250	CONTROL, DEFROST
571006700	CORE SENSE MODULE
0130M00089	CUT-OUT SWITCH, HIGH PRESSURE (M11)
0130R00003	CUT-OUT SWITCH, HIGH PRESSURE (M1, M2, M3, M4, M5, M6, M7, M8, M9, M10)
0130M00088	CUT-OUT SWITCH, LOW PRESSURE
PCBDM133	DEFROST CONTROL BOARD
0130M00106	DISC THERMOSTAT(CRNKCS HTR SW)
B1086750	FAN BLADE 22", 3 BLADE, 24° (M9)
10625738	FAN BLADE 26" ALUM CCW (M4, M5, M6, M7, M8, M10, M11)
B1086764	FAN BLADE TYPE 2 (M1, M2, M3)
0163R00007	HEATER, CRANKCASE 230V, 40W (M9, M10, M11)
0163R00006	HEATER, CRANKCASE 230V, 40W (M1, M2, M3, M4, M5, M6, M7, M8)
0131M00753	MOTOR, 1/6HP, 1SP, 8PL, AL (M3)
0131M00754	MOTOR, PSC, 1/6HP, 8PL (M5, M7)
10135604	RELAY (M11)
0151R00068	REVERSING VALVE (M4, M5, M6, M7)
0151R00071	REVERSING VALVE (M8, M9, M10, M11)
0151R00069	REVERSING VALVE (M1, M2, M3)
B1225022	SOLENOID COIL
11046711	THERMOSTAT DISC (M11)
0151R00121	VALVE, TXV R410A (M1, M2, M3)
0151R00122	VALVE, TXV R-410A (M4, M5)
0151R00123	VALVE, TXV R-410A (M8)
0151R00124	VALVE, TXV R-410A (M6, M7)
0151R00125	VALVE, TXV R-410A (M9)
0151R00126	VALVE, TXV R-410A (M10)
0151R00127	VALVE, TXV R-410A (M11)

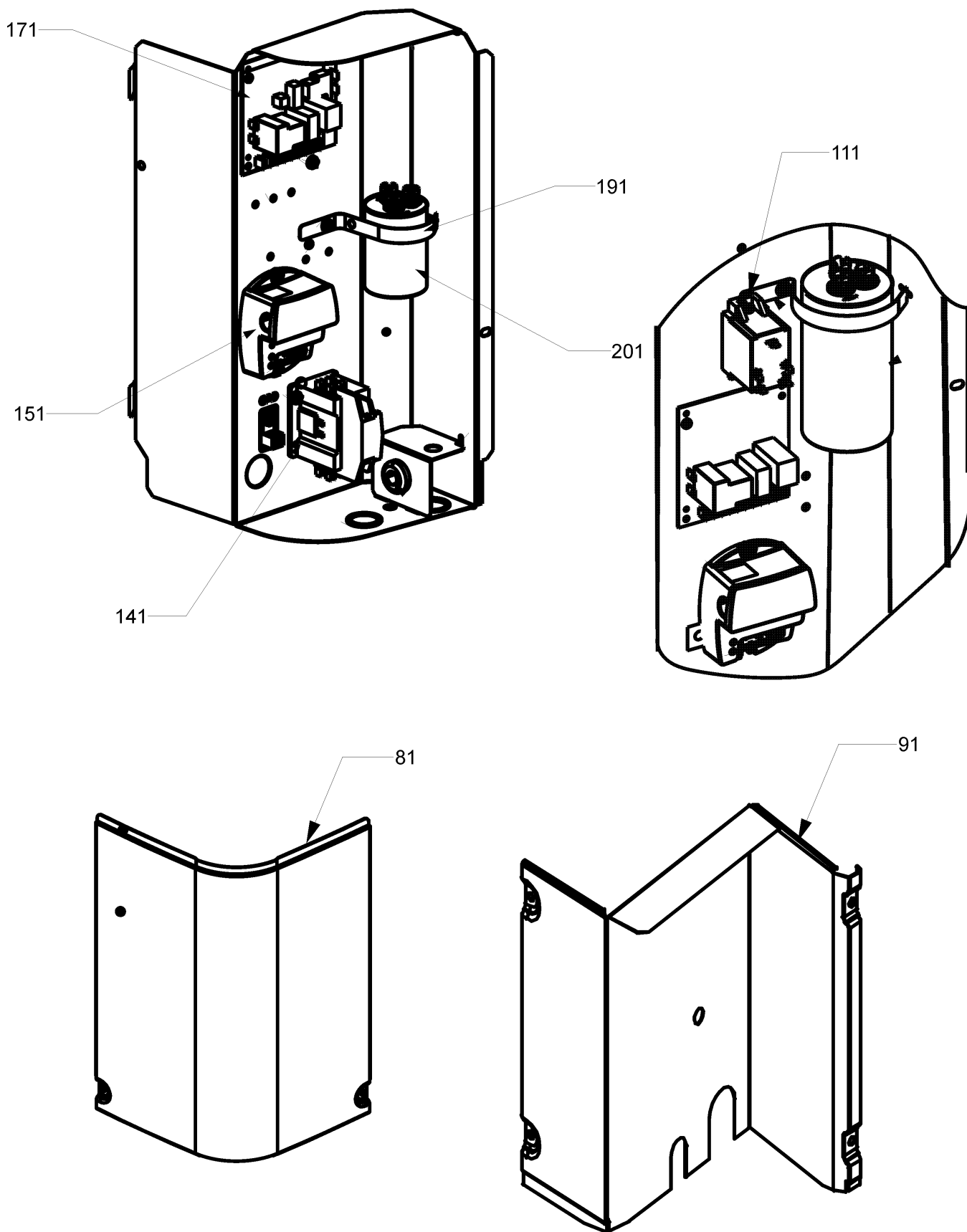
SPECIAL PARTS

0161R00038	GRILL CAP
0161R00036	NAMEPLATE, DAIKIN

Expanded Model Nomenclature

M1 - DZ16SA0181BA
M2 - DZ16SA0181BB
M3 - DZ16SA0181BC
M4 - DZ16SA0241BA
M5 - DZ16SA0241BB
M6 - DZ16SA0301BA
M7 - DZ16SA0301BB
M8 - DZ16SA0361BA
M9 - DZ16SA0421BA
M10 - DZ16SA0481BA
M11 - DZ16SA0601BA

Control Panel Assembly



Control Panel Assembly

Ref. Part No:	Part No:	Description:	Ref. Part No:	Part No:	Description:
---------------	----------	--------------	---------------	----------	--------------

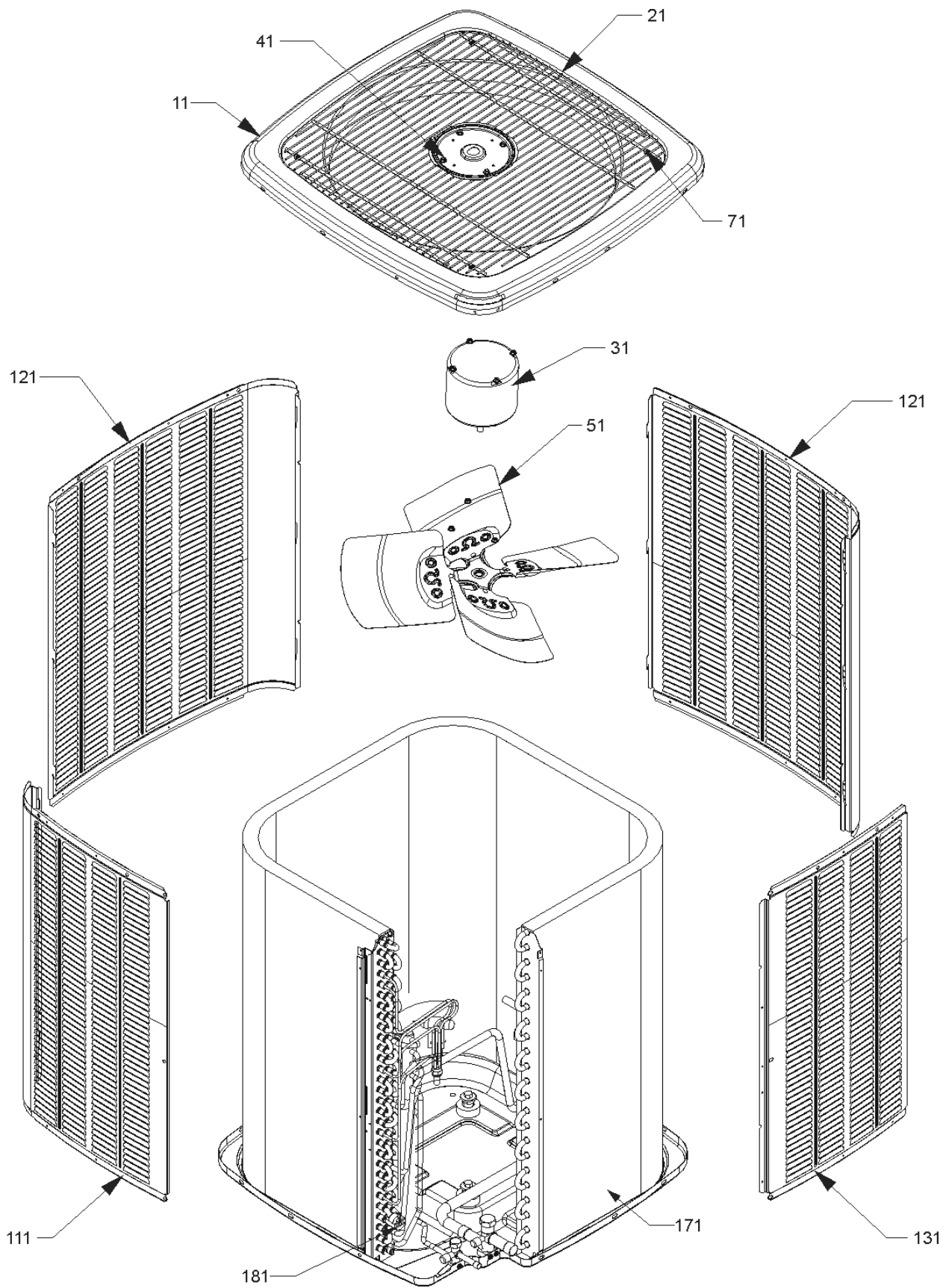
Image 1:

81	0121R00053PNG	CONTROL COVER (M1, M2, M3, M4, M5, M6, M7, M8, M9, M10)
81	0121R00054PNG	CONTROL COVER (M11)
91	0121R00154PNG	LOWER ACCESS PANEL (M1, M2, M3, M9)
91	0121R00328PNG	LOWER ACCESS PANEL (M8)
91	0121R00625PNG	LOWER ACCESS PANEL (M4, M5, M6, M7, M10)
91	0121R00662PNG	LOWER ACCESS PANEL (M11)
111	10135604	RELAY (M11)
141	CONT1P025024V	CONTACTOR 25 AMP, 1P, 24V (M1, M2, M3, M4, M5, M6, M7, M8)
141	CONT1P030024V	CONTACTOR 30 AMP, 1P, 24V (M9, M10)
141	CONT2P040024V	CONTACTOR 40 AMP, 2P, 24V (M11)
151	571006700	CORE SENSE MODULE
171	PCBDM133	DEFROST CONTROL BOARD
191	4400065	CAPACITOR STRAP
201	CAP050300440CS	CAP,5/30MFD/440V/DUAL RD (M1, M2, M3)
201	CAP050350440CS	CAPACITOR 5/35/440V (M4, M5, M6, M7)
201	CAP050400440CT	CAPACITOR 5/40/440V/DUAL RD (M11)
201	CAP050450440CT	CAPACITOR 5/45/440V/DUAL RD (M8, M9, M10)
NS	0161R00038	GRILL CAP
NS	0161R00036	NAMEPLATE, DAIKIN

Expanded Model Nomenclature

M1 - DZ16SA0181BA
M2 - DZ16SA0181BB
M3 - DZ16SA0181BC
M4 - DZ16SA0241BA
M5 - DZ16SA0241BB
M6 - DZ16SA0301BA
M7 - DZ16SA0301BB
M8 - DZ16SA0361BA
M9 - DZ16SA0421BA
M10 - DZ16SA0481BA
M11 - DZ16SA0601BA

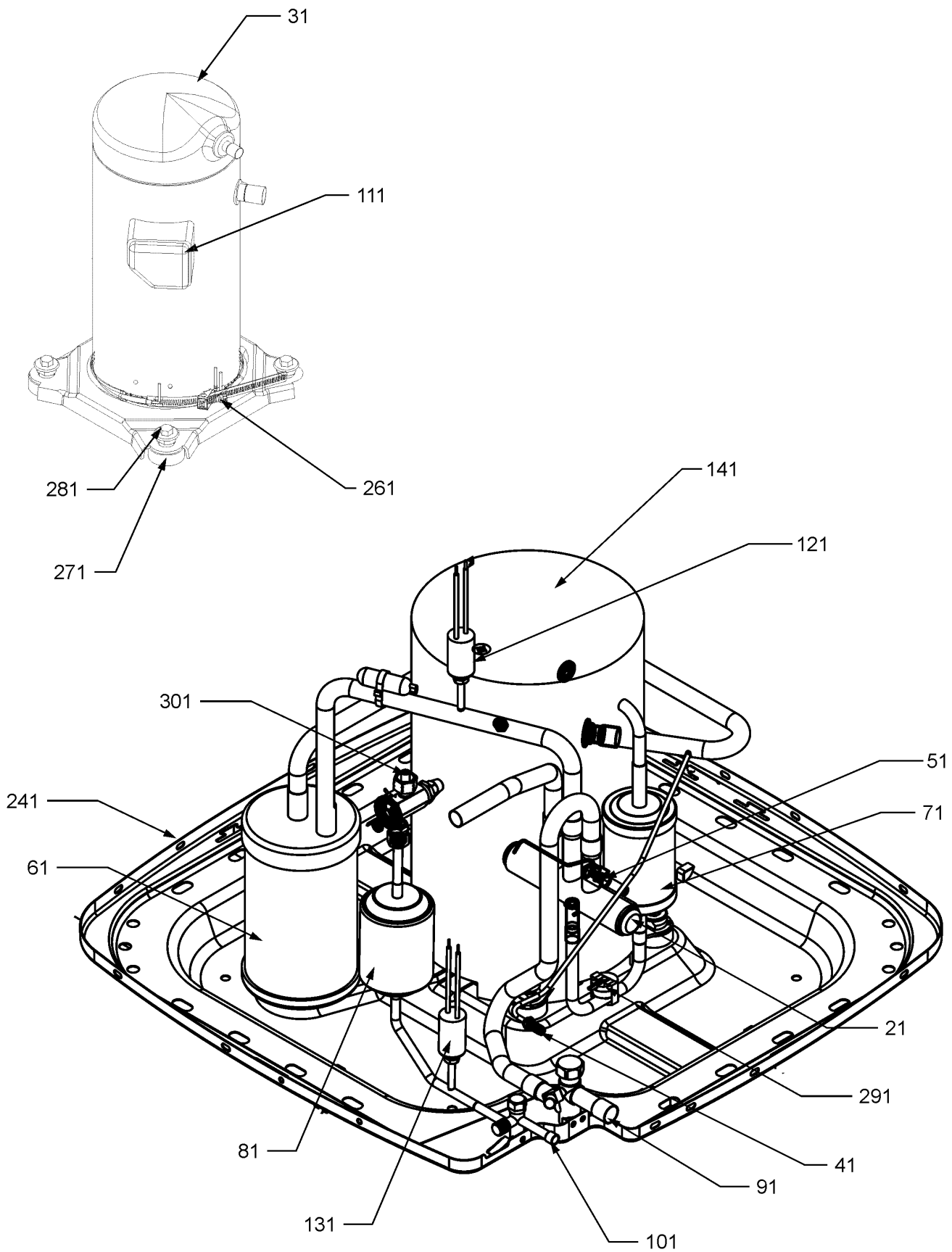
Top Panel / Coil Assembly



Top Panel / Coil Assembly

Ref. Part No:	Description:	Ref. Part No:	Description:
<i>Image 1:</i>		Expanded Model Nomenclature	
11	0121R00576PNG TOP PANEL PAINTED, 29" (M1, M2, M3, M9)	M1	- DZ16SA0181BA
11	0121R00577PNG TOP PANEL PAINTED, 35" (M4, M5, M6, M7, M8, M10, M11)	M2	- DZ16SA0181BB
21	0152R00015 GRILLE, WIRE 29" TOP (M1, M2, M3, M9)	M3	- DZ16SA0181BC
21	0152R00016 GRILLE, WIRE 35" TOP (M4, M5, M6, M7, M8, M10, M11)	M4	- DZ16SA0241BA
31	0131M00018P COND MOTOR 1/4 HP, 1 SP, 6 PL (M9)	M5	- DZ16SA0241BB
31	0131M00061 COND MOTOR 1/4 HP, 1 SP, 8 PL (M4, M6, M8, M10)	M6	- DZ16SA0301BA
31	0131M00060 COND MOTOR 1/6 HP, 1 SP, 8 PL (M1, M2)	M7	- DZ16SA0301BB
31	0131M00038 COND MOTOR 1/6 HP, 2 SP, 8 PL (M11)	M8	- DZ16SA0361BA
31	0131M00753 MOTOR, 1/6HP, 1SP, 8PL, AL (M3)	M9	- DZ16SA0421BA
31	0131M00754 MOTOR, PSC, 1/6HP, 8PL (M5, M7)	M10	- DZ16SA0481BA
41	M0280801 HEX NUT (QTY 4)	M11	- DZ16SA0601BA
51	B1086750 FAN BLADE 22", 3 BLADE, 24° (M9)		
51	10625738 FAN BLADE 26" ALUM CCW (M4, M5, M6, M7, M8, M10, M11)		
51	B1086764 FAN BLADE TYPE 2 (M1, M2, M3)		
71	0163M00003P SCREW #10 X 1/2, A, SLOT, SR, BLACK (QTY 4)		
111	0121R00589PNGB PANEL 1, BENT LOUVER 29_36.38 (M1, M2, M3, M9)		
111	0121R00598PNGB PANEL 1, BENT LOUVER 29_36.38 (M4, M5, M6, M7, M10)		
111	0121R00601PNGB PANEL 1, BENT LOUVER 29_36.38 (M8, M11)		
121	0121R00599PNGB PANEL 2, BENT LOUVER 29_34.64 (M4, M5, M6, M7, M10)		
121	0121R00514PNGB PANEL 2, BENT LOUVER 29_36.38 (M8, M11)		
121	0121R00590PNGB PANEL 2, BENT LOUVER 29_36.38 (M1, M2, M3, M9)		
131	0121R00600PNG PANEL 3, LOUVER 29_34.64 PNT (M4, M5, M6, M7, M10)		
131	0121R00591PNG PANEL 3, LOUVER 29_36.38 PNT (M1, M2, M3, M9)		
131	0121R00603PNG PANEL 3, LOUVER 29_36.38 PNT (M8, M11)		
171	0201R00628 COIL TUBING ASSY (M1, M2, M3)		
171	0201R00631 COIL TUBING ASSY (M8)		
171	0201R00632 COIL TUBING ASSY (M9)		
171	0201R00633 COIL TUBING ASSY (M10)		
171	0201R00634 COIL TUBING ASSY (M11)		
171	0201R00664 COIL TUBING ASSY (M4, M5, M6, M7)		
181	0130M00250 CONTROL, DEFROST		
NS	0161R00002P CONDUIT (M1, M2, M3, M9)		
NS	0161R00004P CONDUIT (M4, M5, M6, M7, M8, M10, M11)		
NS	0161R00048 MOLDED RING-VENTURI 22" (M1, M2, M3, M9)		
NS	0161R00049 MOLDED RING-VENTURI 26" (M4, M5, M6, M7, M8, M10, M11)		

Compressor / Tubing Assembly



Compressor / Tubing Assembly

Ref. Part No: No:	Description:	Ref. Part No: No:	Description:
<i>Image 1:</i>		Expanded Model Nomenclature	
21	0151R00068 REVERSING VALVE (M4, M5, M6, M7)	M1 -	DZ16SA0181BA
21	0151R00069 REVERSING VALVE (M1, M2, M3)	M2 -	DZ16SA0181BB
21	0151R00071 REVERSING VALVE (M8, M9, M10, M11)	M3 -	DZ16SA0181BC
31	ZP14K6EPFV130 COMP, 14,000,208/230/60/1 (M1, M2, M3)	M4 -	DZ16SA0241BA
31	ZP20K6EPFV130 COMP, 20,000,208/230/60/1 (M4, M5)	M5 -	DZ16SA0241BB
31	ZP29K6EPFV130 COMP, 29,000,208/230/60/1 (M8)	M6 -	DZ16SA0301BA
31	ZP34K6EPFV130 COMP, 46500, 208/230/60/1 (M9)	M7 -	DZ16SA0301BB
31	ZP25K6EPFV130 COMP,34200,208/230/60/1 (M6, M7)	M8 -	DZ16SA0361BA
31	ZP39K5EPFV130 COMPRESSOR 39000, 208/230/60/1 (M10)	M9 -	DZ16SA0421BA
31	ZPS49K5EPFV130 COMPRESSOR 49100, 208/230/60/1 (M11)	M10 -	DZ16SA0481BA
41	0163M00175 CAP WITH O-RING	M11 -	DZ16SA0601BA
51	0130M00083 REVERSING VALVE HARNESS		
61	0151L00010 ACCUMULATOR (M11)		
61	0151R00004P ACCUMULATOR .750 (M1, M2, M3)		
61	B1226207 ACCUMULATOR .875 (M4, M5, M6, M7, M8, M9, M10)		
71	0162R00007 MUFFLER 1/2 X 1/2		
81	20485201 BI-FLOW FILTER DRIER		
91	0151R00079 BASE VALVE 3/4" (M1, M2, M3, M4, M5, M6, M7)		
91	0151R00080 BASE VALVE 7/8" (M8, M9, M10, M11)		
101	0151R00078 BASE VALVE 3/8"		
111	0159R00001P COMPRESSOR SCROLL HARNESS (M1, M2, M3, M9)		
111	0159R00002P COMPRESSOR SCROLL HARNESS (M4, M5, M6, M7, M8, M10)		
111	0159R00009 COMPRESSOR SCROLL HARNESS (M11)		
121	0130M00088 CUT-OUT SWITCH, LOW PRESSURE		
131	0130M00089 CUT-OUT SWITCH, HIGH PRESSURE (M11)		
131	0130R00003 CUT-OUT SWITCH, HIGH PRESSURE (M1, M2, M3, M4, M5, M6, M7, M8, M9, M10)		
141	B1488807 COMPRESSOR SOUND BLANKET (M9, M10, M11)		
141	B1488810 COMPRESSOR SOUND BLANKET (M1, M2, M3, M4, M5, M6, M7, M8)		
241	0121R00006PNG BASE PAN 29" (M1, M2, M3, M9)		
241	0121R00007PNG BASE PAN 35" (M4, M5, M6, M7, M8, M10, M11)		
261	0163R00006 HEATER, CRANKCASE 230V, 40W (M1, M2, M3, M4, M5, M6, M7, M8)		
261	0163R00007 HEATER, CRANKCASE 230V, 40W (M9, M10, M11)		
271	B1339533 COMPRESSOR GROMMET (QTY 4)		
281	M0221641 TF SHOULDER SCREW (QTY 4)		
291	0130M00106 DISC THERMOSTAT(CRNKCS HTR SW)		
301	0151R00121 VALVE, TXV R410A (M1, M2, M3)		
301	0151R00122 VALVE, TXV R-410A (M4, M5)		
301	0151R00123 VALVE, TXV R-410A (M8)		
301	0151R00124 VALVE, TXV R-410A (M6, M7)		
301	0151R00125 VALVE, TXV R-410A (M9)		
301	0151R00126 VALVE, TXV R-410A (M10)		
301	0151R00127 VALVE, TXV R-410A (M11)		
NS	20468101 COMPRESSOR SOLENOID CABLE (M11)		
NS	B1225022 SOLENOID COIL		
NS	11046711 THERMOSTAT DISC (M11)		
NS	B1787000 VALVE CORE		