

DZ16SA Remote Heat Pump

DZ16SA0181BE
DZ16SA0241BC
DZ16SA0241BD
DZ16SA0301BC
DZ16SA0301BD
DZ16SA0361BB
DZ16SA0361BC
DZ16SA0421BB
DZ16SA0421BD
DZ16SA0421BE
DZ16SA0481BB
DZ16SA0481BC
DZ16SA0601BB
DZ16SA0601BC



This manual is to be used by qualified technicians only.

This manual replaces RP-D4314C

© 2015 - 2022 **DAIKIN COMFORT TECHNOLOGIES MANUFACTURING, L.P.** ◇ 5151 San Felipe St, Suite 500 ◇ Houston, TX 77056

Important Information

Index

Functional Parts List	3
Illustration and Parts	4 - 9

Views shown are for parts illustrations only, not servicing procedures.

Text Codes:

AR - As Required

NA - Not Available

NS - Not Shown

00000000 - See Note

QTY - Quantity Example (QTY 3) (If Quantity not shown, Quantity = 1)

M - Model Example (M1) (If M Code not shown, then part is used on all Models)

Expanded Model Nomenclature:

Example
M1 - Model#1
M2 - Model#2
M3 - Model#3

Daikin Comfort Technologies Manufacturing , L.P. is not responsible for personal injury or property damage resulting from improper service. Review all service information before beginning repairs.

Warranty service must be performed by an authorized technician, using authorized factory parts. If service is required after the warranty expires, Daikin Comfort Technologies Manufacturing , L.P. also recommends contacting an authorized technician and using authorized factory parts.

Daikin Comfort Technologies Manufacturing , L.P. reserves the right to discontinue, or change at any time, specifications or designs without notice or without incurring obligations.

For assistance within the U.S.A. contact:
Homeowner Support
Daikin Comfort Technologies Manufacturing , L.P.
19001 Kermier Road
Waller, Texas 77484
855-770-5678-Telephone
713-863-2382-Facsimile

For assistance outside the U.S.A. contact:
International Division
Daikin Comfort Technologies Manufacturing , L.P.
19001 Kermier Road
Waller, Texas 77484
713-861-2500-Telephone
713-863-2382-Facsimile

Functional Parts

Part

No: Description:

0151R00190	ADJUSTABLE VALVE, TXV R410A (M2, M3)	0151R00071	REVERSING VALVE (M6, M7, M8, M9, M10, M11, M12, M13, M14)
0151R00189	ADJUSTABLE VALVE, TXV R410A (M1)	0151R00069	REVERSING VALVE (M1)
0151R00191	ADJUSTABLE VALVE, TXV R410A (M6, M7)	B1225022	SOLENOID COIL
0151R00192	ADJUSTABLE VALVE, TXV R410A (M4, M5)		
0151R00193	ADJUSTABLE VALVE, TXV R410A (M8, M9, M10)		
0151R00194	ADJUSTABLE VALVE, TXV R410A (M11, M12)		
0151R00195	ADJUSTABLE VALVE, TXV R410A (M13, M14)		
0151R00185	BASE VALVE 3/4" (M1, M2, M3, M4, M5)		
0151R00187	BASE VALVE 3/8"		
0151R00186	BASE VALVE 7/8" (M6, M7, M8, M9, M10, M11, M12, M13, M14)		
CAP050350440CS	CAP, 5/35 MFD/440V/DUAL RD (M2, M3, M4, M5)		
CAB050400440CT	CAP, 5/40 MFD/440V RD - BPRF (M13, M14)		
CAB050450440CT	CAP, 5/45 MFD/440V RD - BPRF (M6, M7, M8, M9, M10, M11, M12)		
CAP050300440CS	CAP,5/30MFD/440V/DUAL RD (M1)		
ZP14K6EPFV120	COMP, 20200, 208/230/60/1 (M1)		
ZP20K6EPFV120	COMP, 27200, 208/230/60/1 (M2, M3)		
ZP25K6EPFV120	COMP, 34200, 208/230/60/1 (M4, M5)		
ZP29K6EPFV120	COMP, 39700, 208/230/60/1 (M6, M7)		
ZP34K6EPFV120	COMP, 46500, 208/230/60/1 (M8, M9, M10)		
ZPS49K5EPFV130	COMP, 49100,208/230/60/1 (M13, M14)		
ZP39K5EPFV130	COMP,39000,208/230/60/1 (M11, M12)		
CONT1P030024V	CONTACTOR 30 AMP, 1P, 24V (M1, M2, M3, M4, M5, M6, M7, M8, M9, M10, M11, M12)		
CONT2P040024V	CONTACTOR 40 AMP, 2P, 24V (M13, M14)		
0130M00250	CONTROL, DEFROST		
571006700	CoreSense Module		
0130M00106	DISC THERMOSTAT(CRNKCS HTR SW)		
0130M00349	DISC-THERMOSTAT (M13, M14)		
0150M00008	FAN BLADE, 22" TNT2203-25 (M1)		
B1086750	FAN BLADE, 22", 3 BLADE,24 DEG (M8, M9, M10)		
0150M00066	FAN BLADE, 26" (M3, M5, M6, M7, M11, M12, M13, M14)		
0150M00054	FAN BLADE, 26" (M2, M4)		
0163R00006	HEATER, CRANKCASE 230V, 40W (M1, M2, M3, M4, M5, M6, M7)		
0163R00007	HEATER, CRANKCASE 230V, 40W (M8, M9, M10, M11, M12, M13, M14)		
0130M00089	HIGH PRESSURE SWITCH (M13, M14)		
0130R00003	HIGH PRESSURE SWITCH (M1, M2, M3, M4, M5, M6, M7, M8, M9, M10, M11, M12)		
0130M00088	LOW PRESSURE SWITCH		
0131M00813	MOTOR, 1/4HP, 1SP, 6PL (M8, M9)		
0131M00807	MOTOR, 1/4HP,1SP,8PL,AL (M6, M7, M11, M12)		
0131M00866	MOTOR, 1/5 HP, 2SP, 8PL (M13, M14)		
0131M00753	MOTOR, 1/6HP, 1SP, 8PL, AL (M1)		
0131M00945	MOTOR, 1/6HP, 8PL (M3, M5)		
0131M00954	MOTOR, OD, PSC, 1/4HP (M10)		
0131M00754	MOTOR, PSC, 1/6HP, 8PL (M2, M4)		
PCBDM133	PCB, DEFROST CONTROL		
10135604	RELAY (M13, M14)		
0151R00068	REVERSING VALVE (M2, M3, M4, M5)		

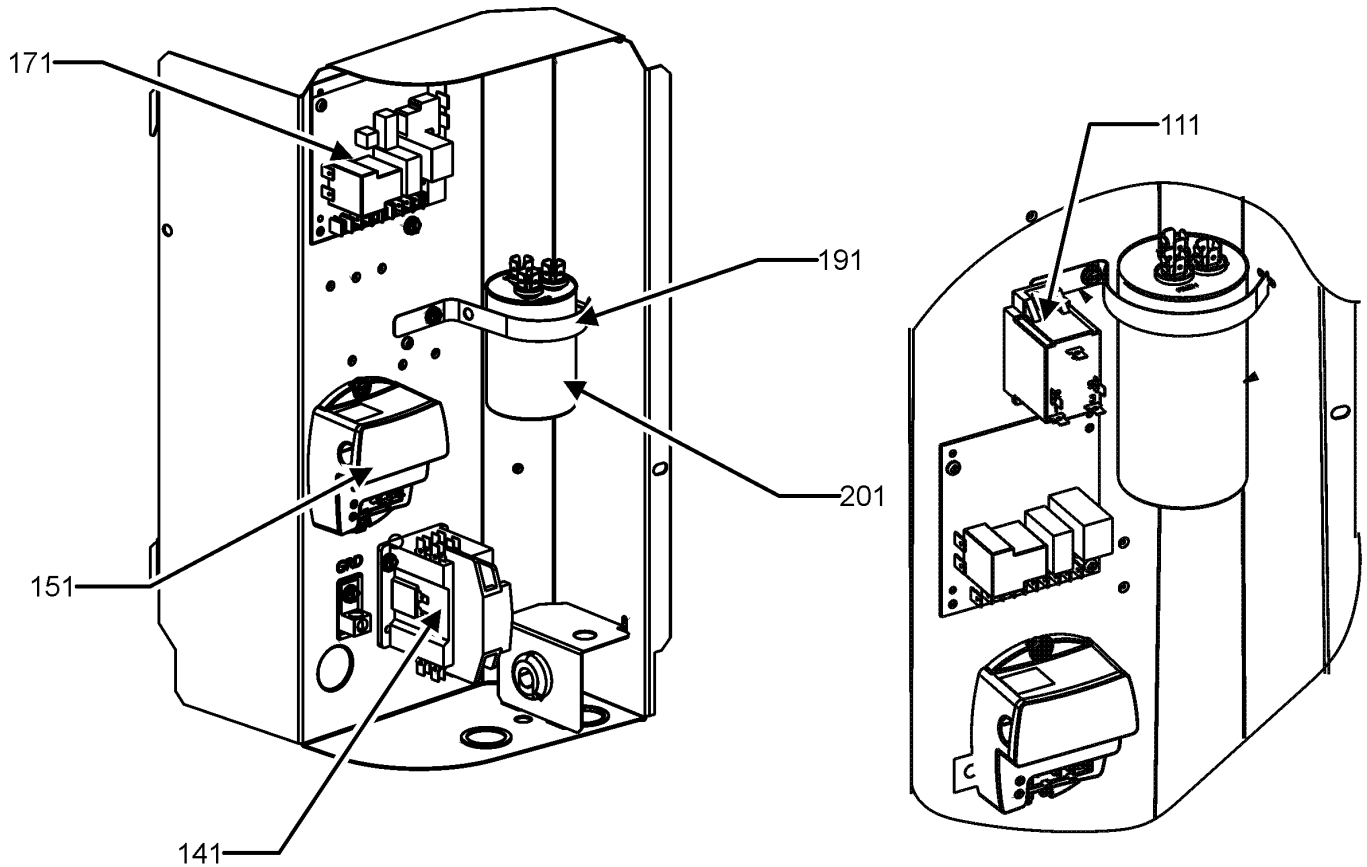
SPECIAL PARTS

0161R00095	CAP, GRILL
0161R00093	NAMEPLATE, DAIKIN

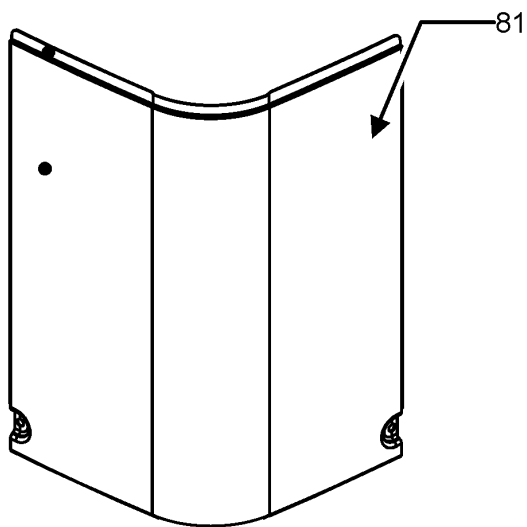
Expanded Model Nomenclature

M1 - DZ16SA0181BE
M2 - DZ16SA0241BC
M3 - DZ16SA0241BD
M4 - DZ16SA0301BC
M5 - DZ16SA0301BD
M6 - DZ16SA0361BB
M7 - DZ16SA0361BC
M8 - DZ16SA0421BB
M9 - DZ16SA0421BD
M10 - DZ16SA0421BE
M11 - DZ16SA0481BB
M12 - DZ16SA0481BC
M13 - DZ16SA0601BB
M14 - DZ16SA0601BC

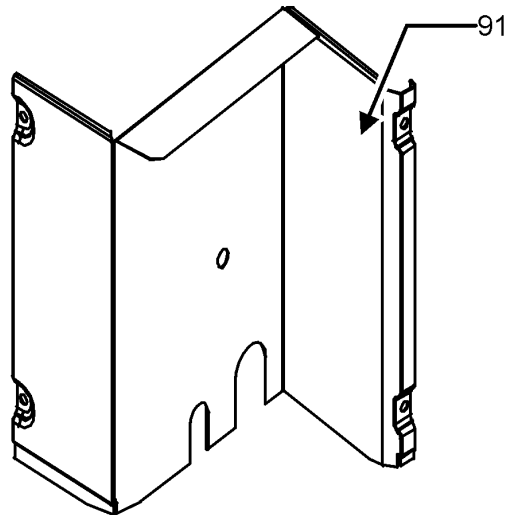
Control Panel Assembly



ALTERNATE CONTROL BOX ASSEMBLY



UPPER ACCESS PANEL



LOWER ACCESS PANEL

Control Panel Assembly

Ref. Part No:	Part No:	Description:	Ref. Part No:	Part No:	Description:
---------------	----------	--------------	---------------	----------	--------------

Image 1:

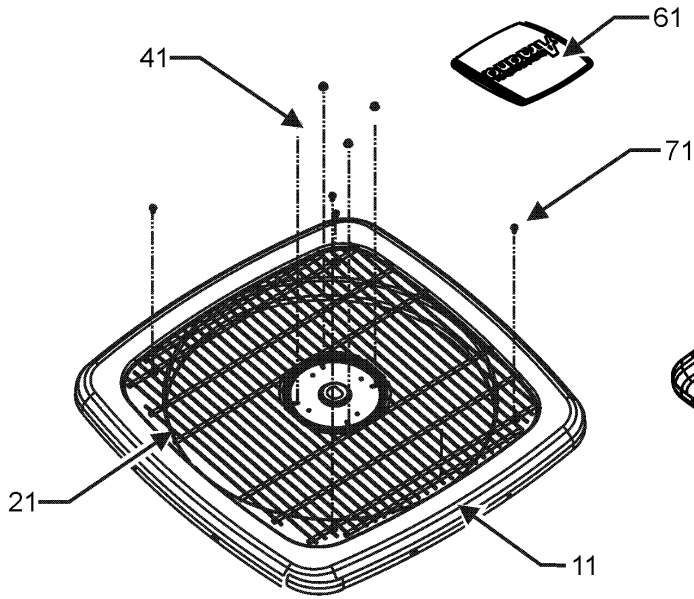
81	0121R00950PNG	CONTROL COVER, LARGE PNT (M13, M14)
81	0121R00937PNG	CONTROL COVER, SMALL PNT (M1, M2, M3, M4, M5, M6, M7, M8, M9, M10, M11, M12)
91	0121R00907PNG	PNL, LWR ACCESS (M1, M8, M9, M10)
91	0121R00916PNG	PNL, LWR ACCESS (M6, M7)
91	0121R00917PNG	PNL, LWR ACCESS (M2, M3, M4, M5, M11, M12)
91	0121R00918PNG	PNL, LWR ACCESS (M13, M14)
111	10135604	RELAY (M13, M14)
141	CONT1P030024V	CONTACTOR 30 AMP, 1P, 24V (M1, M2, M3, M4, M5, M6, M7, M8, M9, M10, M11, M12)
141	CONT2P040024V	CONTACTOR 40 AMP, 2P, 24V (M13, M14)
151	571006700	CoreSense Module
171	PCBDM133	PCB, DEFROST CONTROL
191	4400065	CAPACITOR STRAP
201	CAP050350440CS	CAP, 5/35 MFD/440V/DUAL RD (M2, M3, M4, M5)
201	CAB050400440CT	CAP, 5/40 MFD/440V RD - BPRF (M13, M14)
201	CAB050450440CT	CAP, 5/45 MFD/440V RD - BPRF (M6, M7, M8, M9, M10, M11, M12)
201	CAP050300440CS	CAP,5/30MFD/440V/DUAL RD (M1)
NS	0161R00093	NAMEPLATE, DAIKIN

Expanded Model Nomenclature

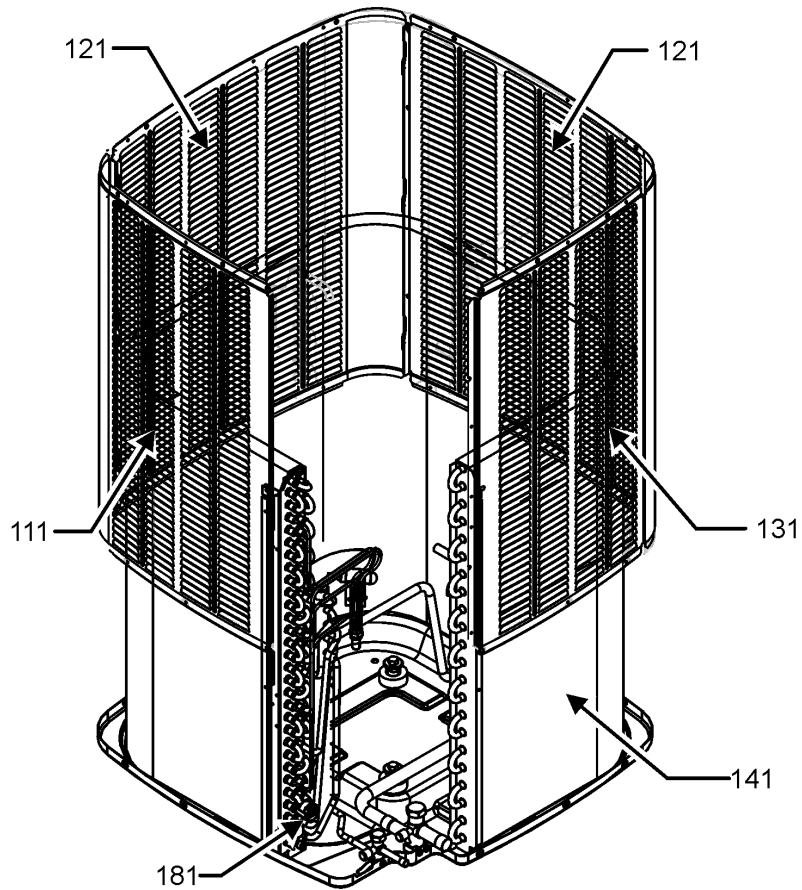
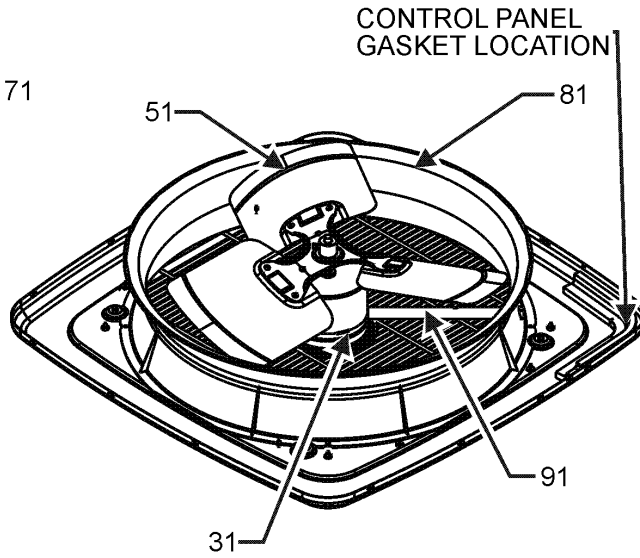
- | |
|--------------------|
| M1 - DZ16SA0181BE |
| M2 - DZ16SA0241BC |
| M3 - DZ16SA0241BD |
| M4 - DZ16SA0301BC |
| M5 - DZ16SA0301BD |
| M6 - DZ16SA0361BB |
| M7 - DZ16SA0361BC |
| M8 - DZ16SA0421BB |
| M9 - DZ16SA0421BD |
| M10 - DZ16SA0421BE |
| M11 - DZ16SA0481BB |
| M12 - DZ16SA0481BC |
| M13 - DZ16SA0601BB |
| M14 - DZ16SA0601BC |

Top/Side Panel and Condenser Assembly

TOP VIEW



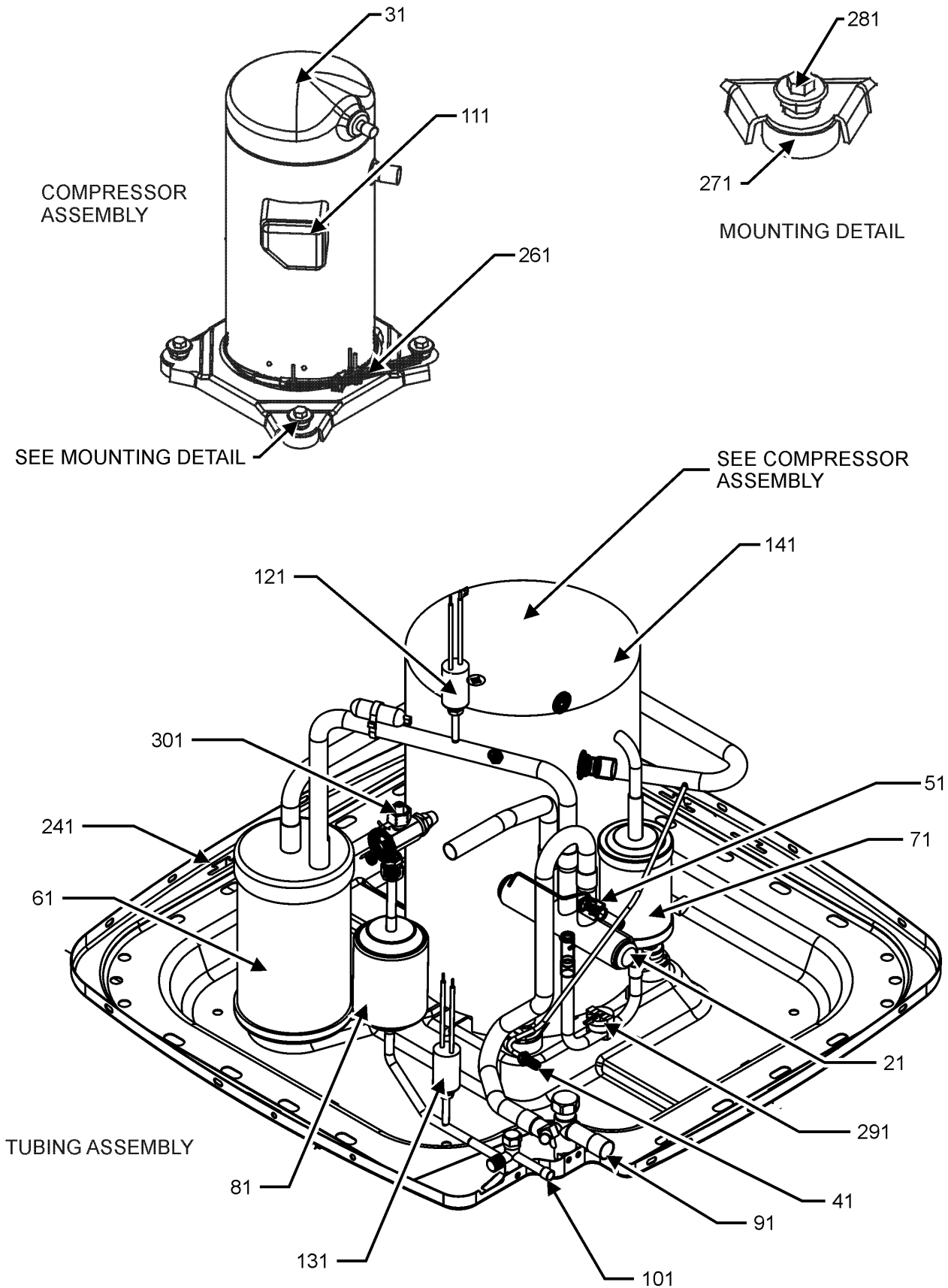
BOTTOM VIEW



Top/Side Panel and Condenser Assembly

Ref. Part No:	Ref. Part No:	Description:	Description:
Image 1:		Expanded Model Nomenclature	
11	0121R00576PNG	TOP PANEL PAINTED, 29" (M1, M8, M9, M10)	M1 - DZ16SA0181BE
11	0121R00577PNG	TOP PANEL PAINTED, 35" (M2, M3, M4, M5, M6, M7, M11, M12, M13, M14)	M2 - DZ16SA0241BC
21	0152R00015	GRILLE, WIRE 29" TOP (M1, M8, M9, M10)	M3 - DZ16SA0241BD
21	0152R00016	GRILLE, WIRE 35" TOP (M2, M3, M4, M5, M6, M7, M11, M12, M13, M14)	M4 - DZ16SA0301BC
31	0131M00813	MOTOR, 1/4HP, 1SP, 6PL (M8, M9)	M5 - DZ16SA0301BD
31	0131M00807	MOTOR, 1/4HP, 1SP, 8PL, AL (M6, M7, M11, M12)	M6 - DZ16SA0361BB
31	0131M00866	MOTOR, 1/5 HP, 2SP, 8PL (M13, M14)	M7 - DZ16SA0361BC
31	0131M00753	MOTOR, 1/6HP, 1SP, 8PL, AL (M1)	M8 - DZ16SA0421BB
31	0131M00945	MOTOR, 1/6HP, 8PL (M3, M5)	M9 - DZ16SA0421BD
31	0131M00954	MOTOR, OD, PSC, 1/4HP (M10)	M10 - DZ16SA0421BE
31	0131M00754	MOTOR, PSC, 1/6HP, 8PL (M2, M4)	M11 - DZ16SA0481BB
41	M0280801	HEX NUT (QTY 4)	M12 - DZ16SA0481BC
51	0150M00008	FAN BLADE, 22" TNT2203-25 (M1)	M13 - DZ16SA0601BB
51	B1086750	FAN BLADE, 22", 3 BLADE, 24 DEG (M8, M9, M10)	M14 - DZ16SA0601BC
51	0150M00054	FAN BLADE, 26" (M2, M4)	
51	0150M00066	FAN BLADE, 26" (M3, M5, M6, M7, M11, M12, M13, M14)	
61	0161R00095	CAP, GRILL	
71	0163M00003P	SCREW #10 X 1/2, A, SLOT, SR, BLACK (QTY 6)	
81	0161R00048	MOLDED RING-VENTURI 22 (M1, M8, M9, M10)	
81	0161R00049	MOLDED RING-VENTURI 26" (M2, M3, M4, M5, M6, M7, M11, M12, M13, M14)	
91	0161R00002P	CONDUIT (M1, M8, M9, M10)	
91	0161R00004P	CONDUIT (M2, M3, M4, M5, M6, M7, M11, M12, M13, M14)	
111	0121R00927PNG	PANEL 1, LOUVER 35_34.64 PNT (M2, M3, M4, M5, M11, M12)	
111	0121R00589PNG	PANEL 1, LOUVER 29_36.38 PNT (M1, M8, M9, M10)	
111	0121R00601PNG	PANEL 1, LOUVER 35_39.84 PNT (M6, M7, M13, M14)	
121	0121R00590PNG	PANEL 2, LOUVER 29_36.38 PNT (M1, M8, M9, M10)	
121	0121R00928PNG	PANEL 2, LOUVER 35_34.64 PNT (M2, M3, M4, M5, M11, M12)	
121	0121R00514PNG	PANEL 2, LOUVER 35_39.84 PNT (M6, M7, M13, M14)	
131	0121R00591PNG	PANEL 3, LOUVER 29_36.38 PNT (M1, M8, M9, M10)	
131	0121R00929PNG	PANEL 3, LOUVER 35_34.64 PNT (M2, M3, M4, M5, M11, M12)	
131	0121R00603PNG	PANEL 3, LOUVER 35_39.84 PNT (M6, M7, M13, M14)	
141	0201R00628	COIL TUBING ASSY (M1)	
141	0201R00631	COIL TUBING ASSY (M6, M7)	
141	0201R00632	COIL TUBING ASSY (M8, M9, M10)	
141	0201R00633	COIL TUBING ASSY (M11, M12)	
141	0201R00634	COIL TUBING ASSY (M13, M14)	
141	0201R00664	COIL TUBING ASSY (M2, M3, M4, M5)	
181	0130M00250	CONTROL, DEFROST	
NS	0154R00045	GASKET, CONTROL PANEL	

Compressor and Tubing Assembly



Compressor and Tubing Assembly

Ref. Part No:	Ref. Part No:	Description:	Description:
Image 1:		Image 1:	
21	0151R00068	REVERSING VALVE (M2, M3, M4, M5)	NS 0130M00349 DISC-THERMOSTAT (M13, M14)
21	0151R00069	REVERSING VALVE (M1)	NS B1225022 SOLENOID COIL
21	0151R00071	REVERSING VALVE (M6, M7, M8, M9, M10, M11, M12, M13, M14)	NS B1787000 VALVE CORE
31	ZP14K6EPFV120	COMP, 20200, 208/230/60/1 (M1)	Expanded Model Nomenclature M1 - DZ16SA0181BE M2 - DZ16SA0241BC M3 - DZ16SA0241BD M4 - DZ16SA0301BC M5 - DZ16SA0301BD M6 - DZ16SA0361BB M7 - DZ16SA0361BC M8 - DZ16SA0421BB M9 - DZ16SA0421BD M10 - DZ16SA0421BE M11 - DZ16SA0481BB M12 - DZ16SA0481BC M13 - DZ16SA0601BB M14 - DZ16SA0601BC
31	ZP20K6EPFV120	COMP, 27200, 208/230/60/1 (M2, M3)	
31	ZP25K6EPFV120	COMP, 34200, 208/230/60/1 (M4, M5)	
31	ZP29K6EPFV120	COMP, 39700, 208/230/60/1 (M6, M7)	
31	ZP34K6EPFV120	COMP, 46500, 208/230/60/1 (M8, M9, M10)	
31	ZPS49K5EPFV130	COMP, 49100,208/230/60/1 (M13, M14)	
31	ZP39K5EPFV130	COMP,39000,208/230/60/1 (M11, M12)	
41	0163M00175	CAP WITH O-RING	
51	0130M00410	REVERSING VALVE HARNESS	
61	0151L00010	ACCUMULATOR (M13, M14)	
61	B1226207	ACCUMULATOR (M2, M3, M4, M5, M6, M7, M8, M9, M10, M11, M12)	
61	0151R00004P	ACCUMULATOR 3/4 (M1)	
71	0162R00007	MUFFLER 1/2 X 1/2	
81	0162R00056	FILTER/DRIER-BI-FLOW	
91	0151R00185	BASE VALVE 3/4" (M1, M2, M3, M4, M5)	
91	0151R00186	BASE VALVE 7/8" (M6, M7, M8, M9, M10, M11, M12, M13, M14)	
101	0151R00187	BASE VALVE 3/8"	
111	0159R00001P	COMPRESSOR SCROLL HARNESS (M1, M8, M9, M10)	
111	0159R00002P	COMPRESSOR SCROLL HARNESS (M2, M3, M4, M5, M6, M7, M11, M12, M13, M14)	
121	0130M00088	LOW PRESSURE SWITCH	
131	0130M00089	HIGH PRESSURE SWITCH (M13, M14)	
131	0130R00003	HIGH PRESSURE SWITCH (M1, M2, M3, M4, M5, M6, M7, M8, M9, M10, M11, M12)	
141	0160M00035	COMPRESSOR BLANKET (M1, M2, M3, M4, M5, M6, M7)	
141	0160M00039	COMPRESSOR BLANKET (M8, M9, M10, M11, M12, M13, M14)	
241	0121R00006PNG	BASE PAN 29" (M1, M8, M9, M10)	
241	0121R00007PNG	BASE PAN 35" (M2, M3, M4, M5, M6, M7, M11, M12, M13, M14)	
261	0163R00006	HEATER, CRANKCASE 230V, 40W (M1, M2, M3, M4, M5, M6, M7)	
261	0163R00007	HEATER, CRANKCASE 230V, 40W (M8, M9, M10, M11, M12, M13, M14)	
271	B1339533	COMPRESSOR GROMMET (QTY 4)	
281	M0221641	TF SHOULDER SCREW (QTY 4)	
291	0130M00106	DISC THERMOSTAT(CRNKCS HTR SW)	
301	0151R00189	ADJUSTABLE VALVE, TXV R410A (M1)	
301	0151R00190	ADJUSTABLE VALVE, TXV R410A (M2, M3)	
301	0151R00191	ADJUSTABLE VALVE, TXV R410A (M6, M7)	
301	0151R00192	ADJUSTABLE VALVE, TXV R410A (M4, M5)	
301	0151R00193	ADJUSTABLE VALVE, TXV R410A (M8, M9, M10)	
301	0151R00194	ADJUSTABLE VALVE, TXV R410A (M11, M12)	
301	0151R00195	ADJUSTABLE VALVE, TXV R410A (M13, M14)	
NS	20270810	COMPENSATOR (M13, M14)	
NS	20468101	COMPR SOL CABLE (M13, M14)	