

DZ14XA 2 Stage Remote Heat Pump

DZ14XA0903AA

DZ14XA0904AA

DZ14XA1203AA

DZ14XA1204AA



This manual is to be used by qualified technicians only.

Important Information

Index

Functional Parts List	3
Illustration and Parts	4 - 9

Views shown are for parts illustrations only, not servicing procedures.

Text Codes:

AR - As Required

NA - Not Available

NS - Not Shown

00000000 - See Note

QTY - Quantity Example (QTY 3) (If Quantity not shown, Quantity = 1)

M - Model Example (M1) (If M Code not shown, then part is used on all Models)

Expanded Model Nomenclature:

Example M1 - Model#1 M2 - Model#2 M3 - Model#3

Daikin Comfort Technologies Manufacturing , L.P. is not responsible for personal injury or property damage resulting from improper service. Review all service information before beginning repairs.

Warranty service must be performed by an authorized technician, using authorized factory parts. If service is required after the warranty expires, Daikin Comfort Technologies Manufacturing , L.P. also recommends contacting an authorized technician and using authorized factory parts.

Daikin Comfort Technologies Manufacturing , L.P. reserves the right to discontinue, or change at any time, specifications or designs without notice or without incurring obligations.

For assistance within the U.S.A. contact:
Homeowner Support
Daikin Comfort Technologies Manufacturing , L.P.
19001 Kermier Road
Waller, Texas 77484
855-770-5678-Telephone
713-863-2382-Facsimile

For assistance outside the U.S.A. contact:
International Division
Daikin Comfort Technologies Manufacturing , L.P.
19001 Kermier Road
Waller, Texas 77484
713-861-2500-Telephone
713-863-2382-Facsimile

Functional Parts

Part

No: **Description:**

0251R00014	ASSY, TXV DISTRIBUTOR (M1, M2)
0251R00018	ASSY, TXV DISTRIBUTOR 10T (M3, M4)
0130M00249	AUXILLARY SEITCH
0151R00184	BALL VALVE 1 1/8"
0151R00188	BASE VALVE 5/8"
ZPS104KCETF5155	COMP, 105K 200/230/60/3/2STG (M3)
ZPS104KCETFD155	COMP, 105K, 200/230/60/3/2STG (M4)
ZPS83KCETFD130	COMP, 83000, 200/230/60/3/2STG (M2)
ZPS83KCETF5130	COMP, 83000, 200/230/60/3/2STG (M1)
CONT3P050024V	CONT 3 POLE 50 AMP 24 VAC (M3)
CONT3P040024V	CONTACTOR 40 AMP, 3P, 24V (M1, M2, M4)
0130M00250	CONTROL, DEFROST
0130L00023	CRANK CASE HEATER 70W 240V (M1, M3)
0130L00024	CRANK CASE HEATER 70W, 480V (M2, M4)
0131M01015	MOTOR (M1, M3)
0131M01016	MOTOR (M2, M4)
PCBDM133	PCB, DEFROST CONTROL
10135604	RELAY
B1225022	SOLENOID COIL
0130M00089	SW-CUTOUT HI PRESS
0130M00514	SWITCH, LOW PRESSURE
0151R00201	VALVE, REVERSING (M3, M4)
0151R00200	VALVE, REVERSING (M1, M2)

SPECIAL PARTS

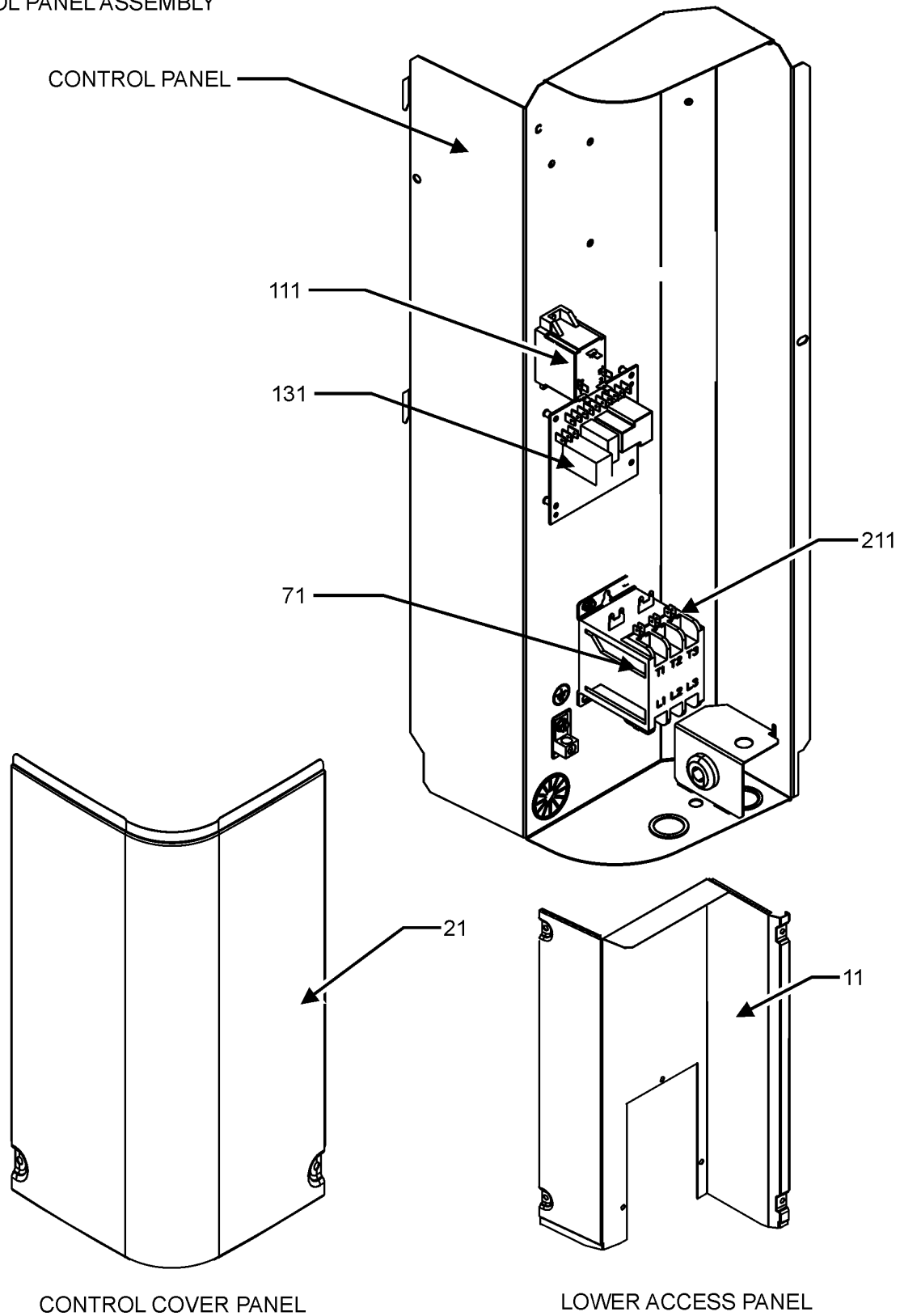
0161R00093 NAMEPLATE, DAIKIN

Expanded Model Nomenclature

M1 - DZ14XA0903AA
M2 - DZ14XA0904AA
M3 - DZ14XA1203AA
M4 - DZ14XA1204AA

CONTROL BOX ASSEMBLY

CONTROL PANEL ASSEMBLY



CONTROL PANEL ASSEMBLY MAY DIFFER FROM WHAT IS SHOWN

CONTROL BOX ASSEMBLY

Ref. Part No:	No:	Description:	Ref. Part No:	No:	Description:
---------------	-----	--------------	---------------	-----	--------------

Image 1:

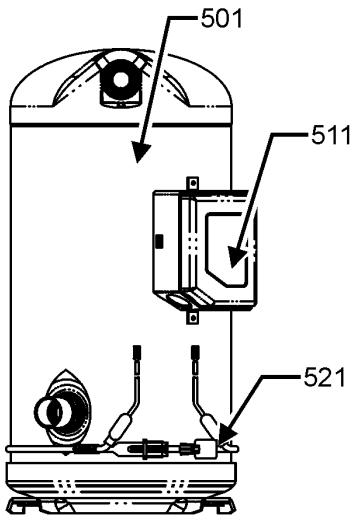
11	0121R01041PNG	PAINTED, LOWER ACCESS PANEL
21	0121R01026PNG	PAINTED, PANEL, CONTROL
71	CONT3P050024V	CONT 3 POLE 50 AMP 24 VAC (M3)
71	CONT3P040024V	CONTACTOR 40 AMP, 3P, 24V (M1, M2, M4)
111	10135604	RELAY
131	PCBDM133	PCB, DEFROST CONTROL
211	0130M00249	AUXILLARY SEITCH
NS	0161R00093	NAMEPLATE, DAIKIN
NS	B1372801	SIGHT GLASS CL90/120

Expanded Model Nomenclature

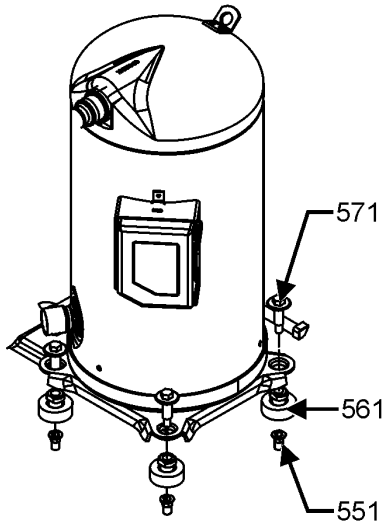
M1 - DZ14XA0903AA
M2 - DZ14XA0904AA
M3 - DZ14XA1203AA
M4 - DZ14XA1204AA

TUBING ASSEMBLY

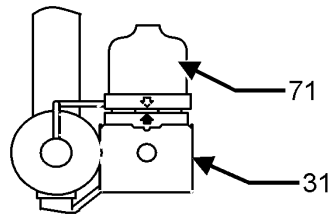
TUBING ASSEMBLY



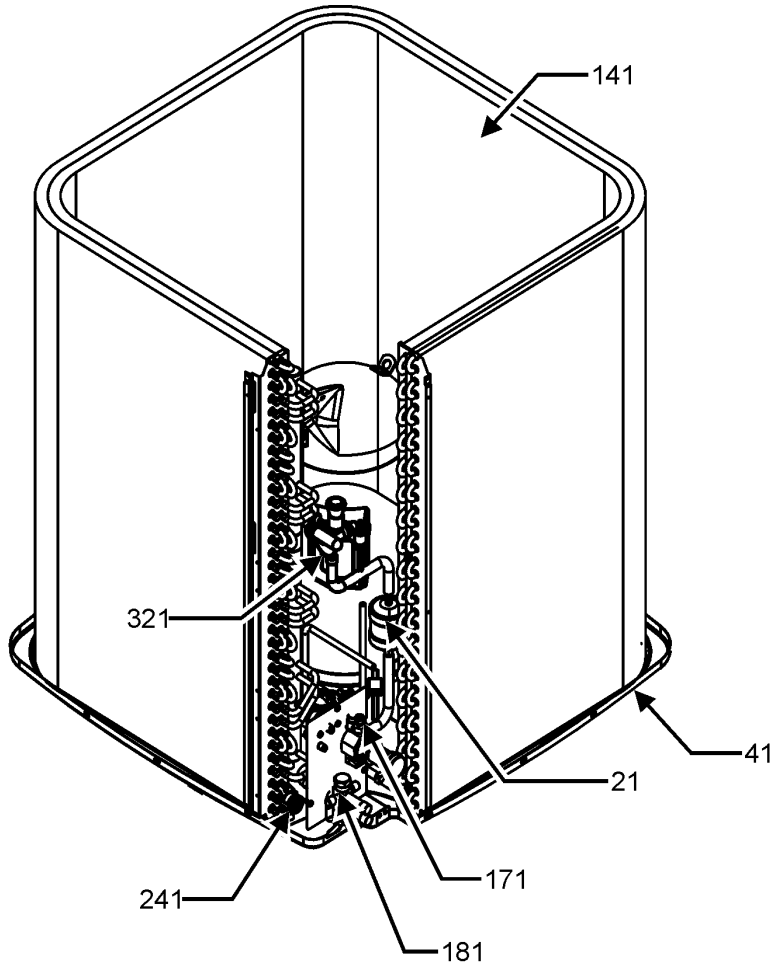
COMPRESSOR DETAIL



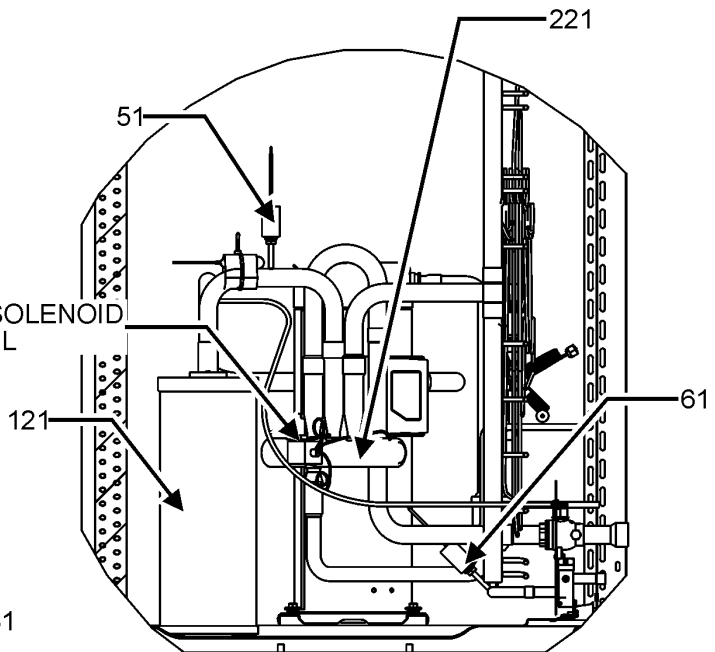
COMPRESSOR MOUNTING DETAIL



SOLENOID DETAIL



SEE SOLENOID
DETAIL



SIDE VIEW
TUBING ASSEMBLY

TUBING ASSEMBLY MAY DIFFER FROM WHAT IS SHOWN

TUBING ASSEMBLY

Ref. Part No:	Ref. Part No:	Description:	Description:
---------------	---------------	--------------	--------------

Image 1:

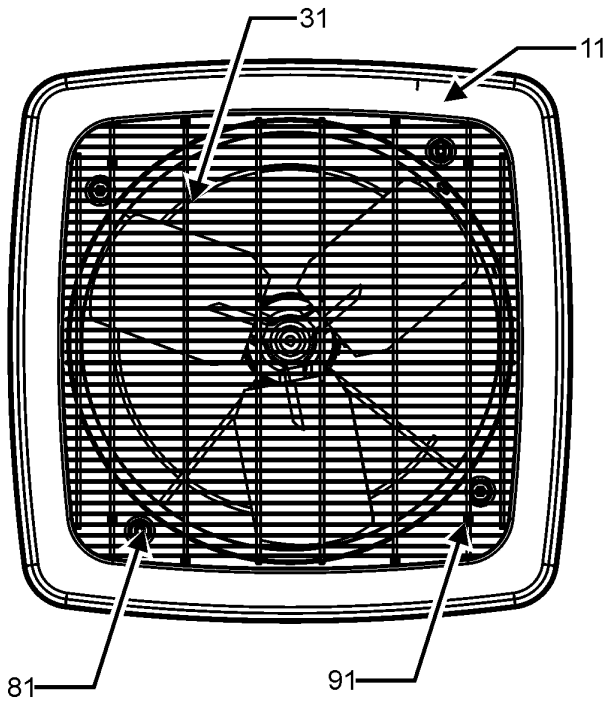
21	0162L00113	FILTER DRIER (BI-FLOW)
31	B1225022	SOLENOID COIL
41	0121R00007PNG	BASE PAN 35"
51	0130M00514	SWITCH, LOW PRESSURE
61	0130M00089	SW-CUTOOUT HI PRESS
71	0130M00409	REVERSING VALVE CABLE
121	B1226212	ACCUMULATOR
141	0201R00819	COIL TUBING ASSY
171	0151R00184	BALL VALVE 1 1/8"
181	0151R00188	BASE VALVE 5/8"
221	0151R00200	VALVE, REVERSING (M1, M2)
221	0151R00201	VALVE, REVERSING (M3, M4)
241	0130M00250	CONTROL, DEFROST
321	0251R00014	ASSY, TXV DISTRIBUTOR (M1, M2)
321	0251R00018	ASSY, TXV DISTRIBUTOR 10T (M3, M4)
501	ZPS104KCETF5155	COMP, 105K 200/230/60/3/2STG (M3)
501	ZPS104KCETFD155	COMP, 105K, 200/230/60/3/2STG (M4)
501	ZPS83KCETF5130	COMP, 83000, 200/230/60/3/2STG (M1)
501	ZPS83KCETFD130	COMP, 83000, 200/230/60/3/2STG (M2)
511	0159G00003	HARNESS, COMP SCROLL (M1, M2)
511	0159L00053	HARNESS, COMP SCROLL (M4)
511	0159L00130	HARNESS, COMP SCROLL (M3)
521	0130L00023	CRANK CASE HEATER 70W 240V (M1, M3)
521	0130L00024	CRANK CASE HEATER 70W, 480V (M2, M4)
551	B1393027	HEX NUT INSERT 5/16-18 (QTY 4)
561	0164M00018	COMPRESSOR GROMMET (QTY 4)
571	B1393740	COMPRESSOR BOLT & SLEEVE (QTY 4)
NS	0151M00099	ACCESS FITTING
NS	0159G00001	CABLE, COMP SOL
NS	0163M00175	CAP WITH O-RING
NS	4400031	VALVE BRACKET
NS	0151M00104	VALVE CORE

Expanded Model Nomenclature

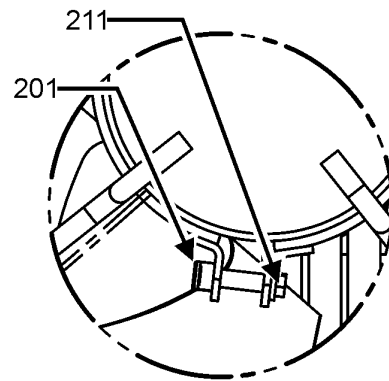
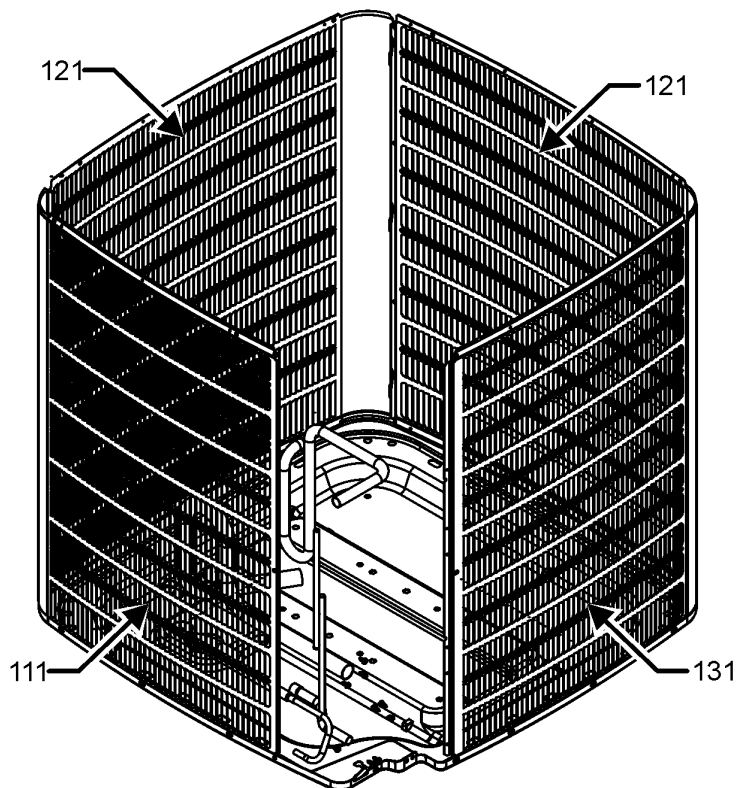
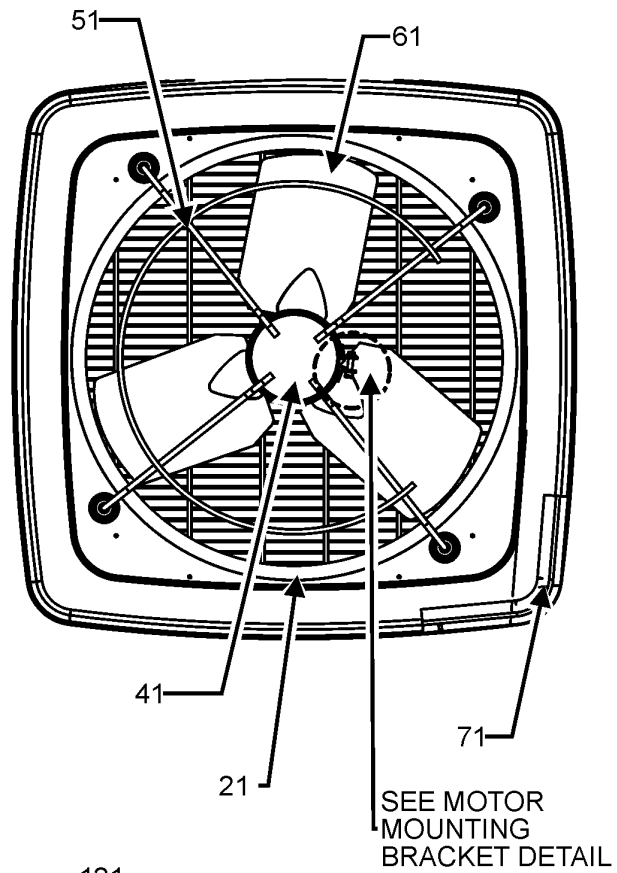
- | |
|-------------------|
| M1 - DZ14XA0903AA |
| M2 - DZ14XA0904AA |
| M3 - DZ14XA1203AA |
| M4 - DZ14XA1204AA |

TOP AND LOUVER PANEL ASSEMBLY

TOP PANEL ASSEMBLY
TOP VIEW



TOP PANEL ASSEMBLY
BOTTOM VIEW



MOTOR MOUNTING
BRACKET DETAIL

LOUVER PANEL ASSEMBLY

TOP AND LOUVER PANEL ASSEMBLY

Ref. Part No:	No:	Description:	Ref. Part No:	No:	Description:
---------------	-----	--------------	---------------	-----	--------------

Image 1:

11	0121R01034PNG	PAINTED, TOP PANEL			
21	0161R00105	35" VENTURI CFS			
31	0152R00031	GRILLE			
41	0131M01015	MOTOR (M1, M3)			
41	0131M01016	MOTOR (M2, M4)			
51	0121R01032	MOUNT, MOTOR			
61	0150M00049	FAN BLADE, 26"			
71	0154R00045	GASKET, CONTROL PANEL			
81	0163M00003P	SCREW,#10 X 1/2,A,SLOT,SR,BLK (QTY 8)			
91	0163M00004	SCREW,#10X3/4",BLK (QTY 4)			
111	0121R00601PNG	PANEL 1, LOUVER 35_39.84 PNT			
121	0121R00514PNG	PANEL 2, LOUVER 35_39.84 PNT (QTY 2)			
131	0121R00603PNG	PANEL 3, LOUVER 35_39.84 PNT			
201	B1393804	NYLON LOCKNUT .31-18 (QTY 2)			
211	0163M00580	SCREW H2 .31 X 1.52 (QTY 2)			
NS	B1393024	LOCK NUT (QTY 4)			

Expanded Model Nomenclature

M1 - DZ14XA0903AA
M2 - DZ14XA0904AA
M3 - DZ14XA1203AA
M4 - DZ14XA1204AA