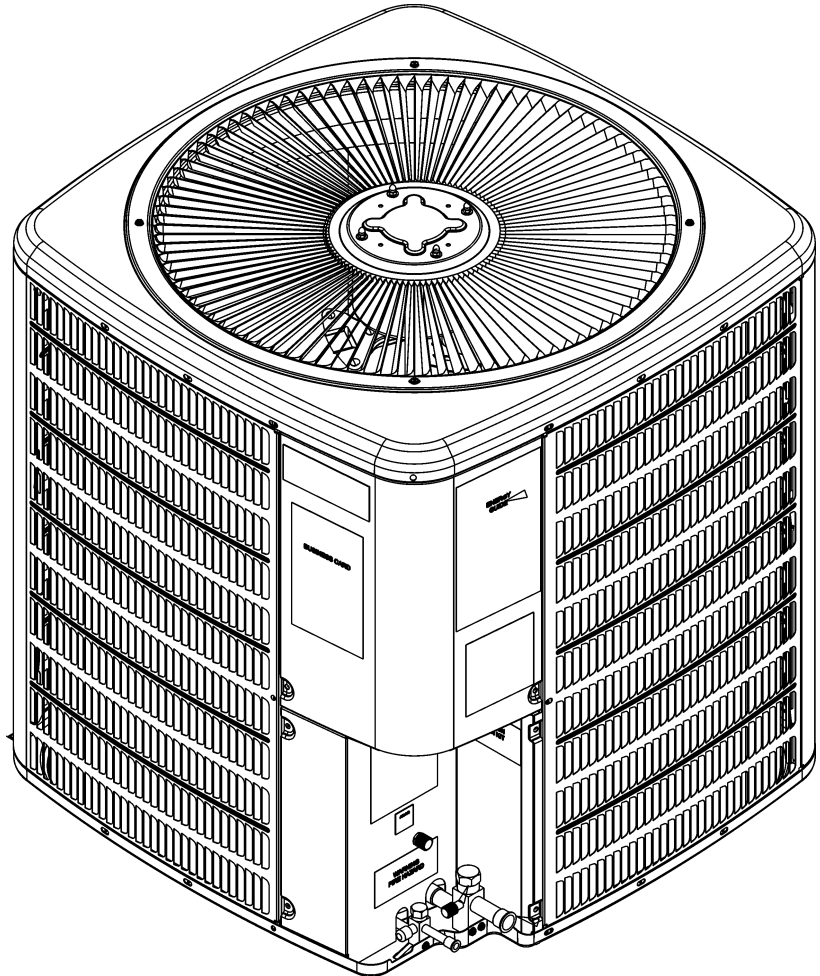


**DZ14SN Remote Heat Pump**

DZ14SN0181AE  
DZ14SN0241AE  
DZ14SN0301AE  
DZ14SN0361AD  
DZ14SN0421AD  
DZ14SN0481AC  
DZ14SN0481AD  
DZ14SN0491AD  
DZ14SN0601AC



This manual is to be used by qualified technicians only.

This manual replaces RP-D4321.

© 2016 , 2018 **DAIKIN MANUFACTURING COMPANY, L.P.** ♦ 5151 San Felipe St., Suite 500 ♦ Houston, TX 77056

# Important Information

---

## Index

Functional Parts List .....	3
Illustration and Parts .....	4 - 9

*Views shown are for parts illustrations only, not servicing procedures*

### Text Codes:

AR - As Required

NA - Not Available

NS - Not Shown

00000000 - See Note

QTY - Quantity Example (QTY 3) (If Quantity not shown, Quantity = 1)

M - Model Example (M1) (If M Code not shown, then part is used on all Models)

### Expanded Model Nomenclature:

Example M1 - Model#1 M2 - Model#2 M3 - Model#3
---

Daikin Manufacturing Company, L.P. is not responsible for personal injury or property damage resulting from improper service. Review all service information before beginning repairs.

Warranty service must be performed by an authorized technician, using authorized factory parts. If service is required after the warranty expires, Daikin Manufacturing Company, L.P. also recommends contacting an authorized technician and using authorized factory parts.

Daikin Manufacturing Company, L.P. reserves the right to discontinue, or change at any time, specifications or designs without notice or without incurring obligations.

For assistance within the U.S.A. contact:

Homeowner Support  
Daikin North America, LLC  
19001 Kermier Road  
Waller, Texas 77484  
855-770-5678-Telephone  
713-863-2382-Facsimile

For assistance outside the U.S.A. contact:

International Division  
Daikin North America, LLC  
19001 Kermier Road  
Waller, Texas 77484  
713-861-2500-Telephone  
713-863-2382-Facsimile

# Functional Parts

**Part No:**            **Description:**

0151L00008	ACCUMULATOR (M4)
0151R00004P	ACCUMULATOR .750 (M1, M2, M3)
B1226207	ACCUMULATOR .875 (M5, M6, M7, M8, M9)
0151R00079	BASE VALVE 3/4" (M1, M2, M3, M4)
0151R00167	BASE VALVE 3/8"
0151R00080	BASE VALVE 7/8" (M5, M6, M7, M8, M9)
CAP050300440CS	CAP.5/30MFD/440V/DUAL RD (M1)
CAP050350440CS	CAPACITOR 5/35/440V (M2, M3)
CAP050450440CT	CAPACITOR 5/45/440V/DUAL RD (M4, M5, M6, M7, M8)
CAP050700440CT	CAPACITOR 5/70/440V/DUAL RD (M9)
ZP14K6EPFV130	COMP, 14,000,208/230/60/1 (M1)
ZP20K6EPFV130	COMP, 20,000,208/230/60/1 (M2)
ZP34K6EPFV130	COMP, 46500, 208/230/60/1 (M5)
ZP40K6EPFV130	COMP, 53700, 208/230/60/1 (M6, M7)
ZP25K6EPFV130	COMP,34200,208/230/60/1 (M3)
ZP31K6EPFV130	COMP,42500,208/230/60/1 (M4)
ZP39K5EPFV130	COMPRESSOR 39000, 208/230/60/1 (M8)
ZP51K5EPFV130	COMPRESSOR 51000, 208/230/60/1 (M9)
CONT1P025024V	CONTACTOR 25 AMP, 1P, 24V (M1, M2, M3, M4, M5)
CONT1P030024V	CONTACTOR 30 AMP, 1P, 24V (M6, M7, M8, M9)
0130M00250	CONTROL, DEFROST
0130M00089	CUT-OUT SWITCH, HIGH PRESSURE
0130M00088	CUT-OUT SWITCH, LOW PRESSURE
PCBDM133	DEFROST CONTROL BOARD
0130M00106	DISC THERMOSTAT CRNKCS HTR SW
0150M00008	FAN BLADE 22" TNT2203-25 (M1, M2, M3, M4)
B1086765	FAN BLADE TYPE 3 (M6, M7)
0150M00054	FAN BLADE, 26" (M5, M8, M9)
0163R00006	HEATER, CRANKCASE 230V, 40W (M1, M2, M3, M4)
0163R00007	HEATER, CRANKCASE 230V, 40W (M5, M6, M7, M8, M9)
0131M00807	MOTOR, 1/4HP,1SP,8PL,AL (M6, M7, M9)
0131M00753	MOTOR, 1/6HP, 1SP, 8PL, AL (M1, M2, M3, M4)
0131M00754	MOTOR, PSC, 1/6HP, 8PL (M5, M8)
0151R00071	REVERSING VALVE (M5, M6, M7, M8, M9)
0151R00068	REVERSING VALVE (M1, M2)
0151R00069	REVERSING VALVE (M3, M4)

**Expanded Model Nomenclature**

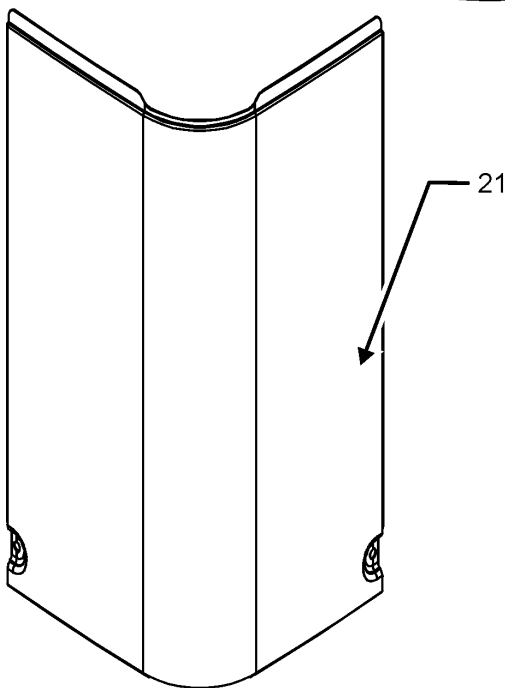
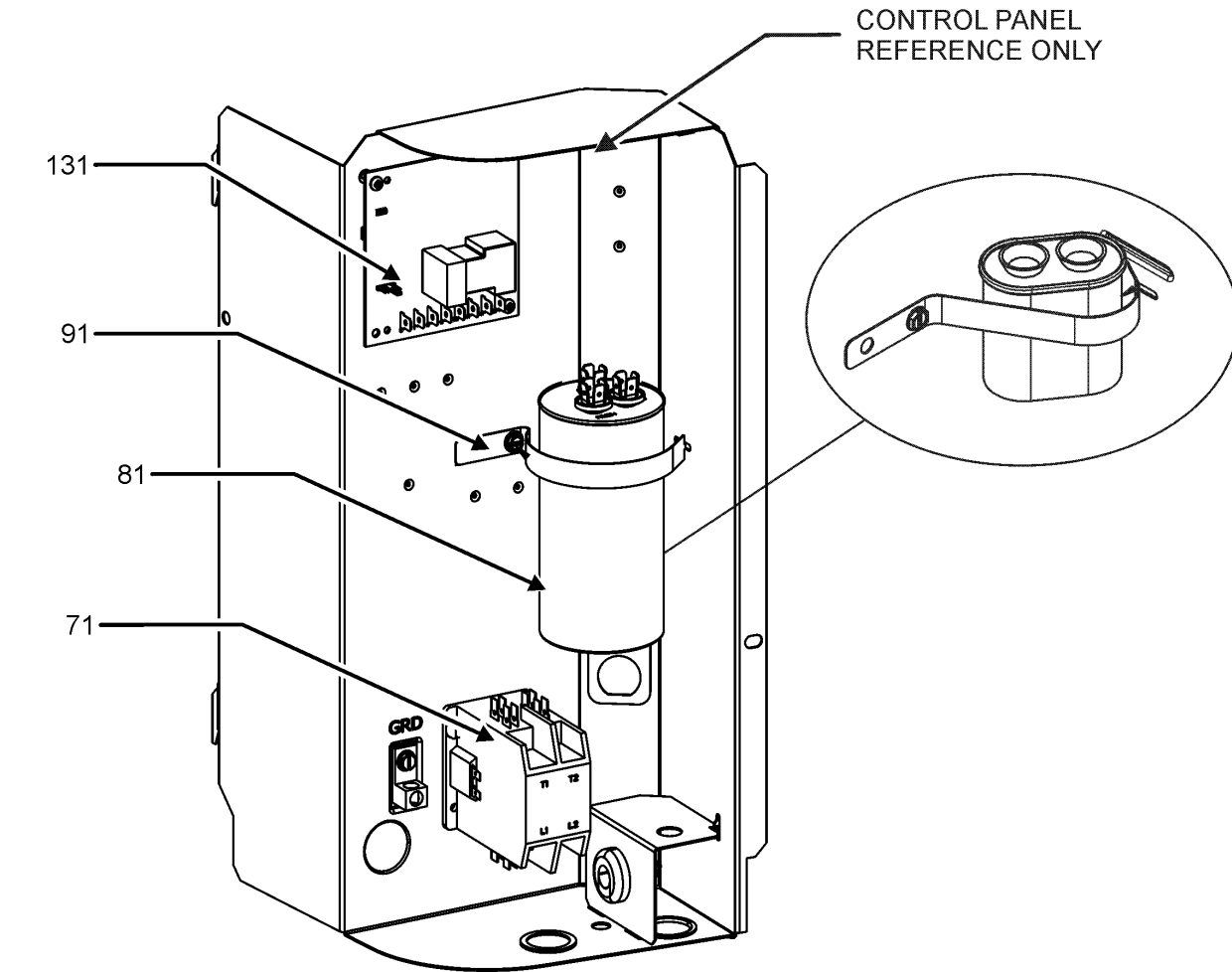
M1 - DZ14SN0181AE
M2 - DZ14SN0241AE
M3 - DZ14SN0301AE
M4 - DZ14SN0361AD
M5 - DZ14SN0421AD
M6 - DZ14SN0481AC
M7 - DZ14SN0481AD
M8 - DZ14SN0491AD
M9 - DZ14SN0601AC

**SPECIAL PARTS**

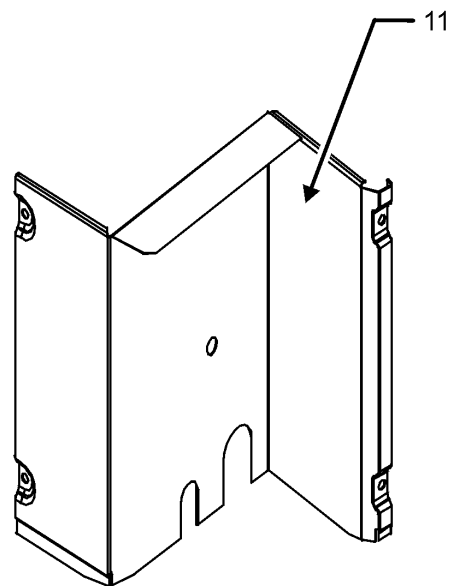
0161R00089	NAMEPLATE, DAIKIN
------------	-------------------

# Control Box Assembly

CONTROL PANEL  
REFERENCE ONLY



UPPER ACCESS PANEL



LOWER ACCESS PANEL

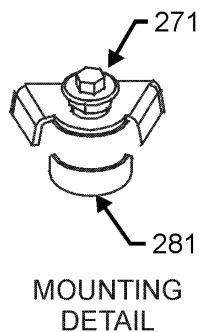
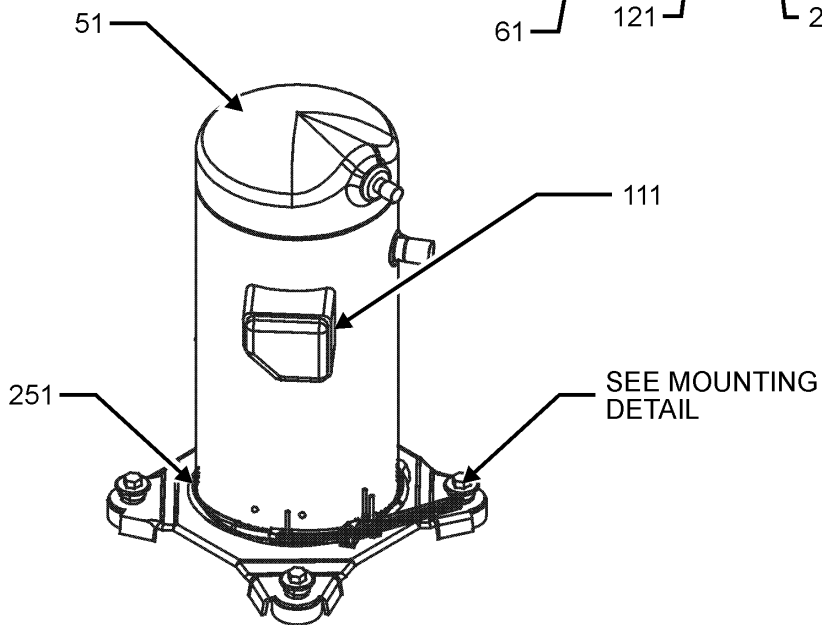
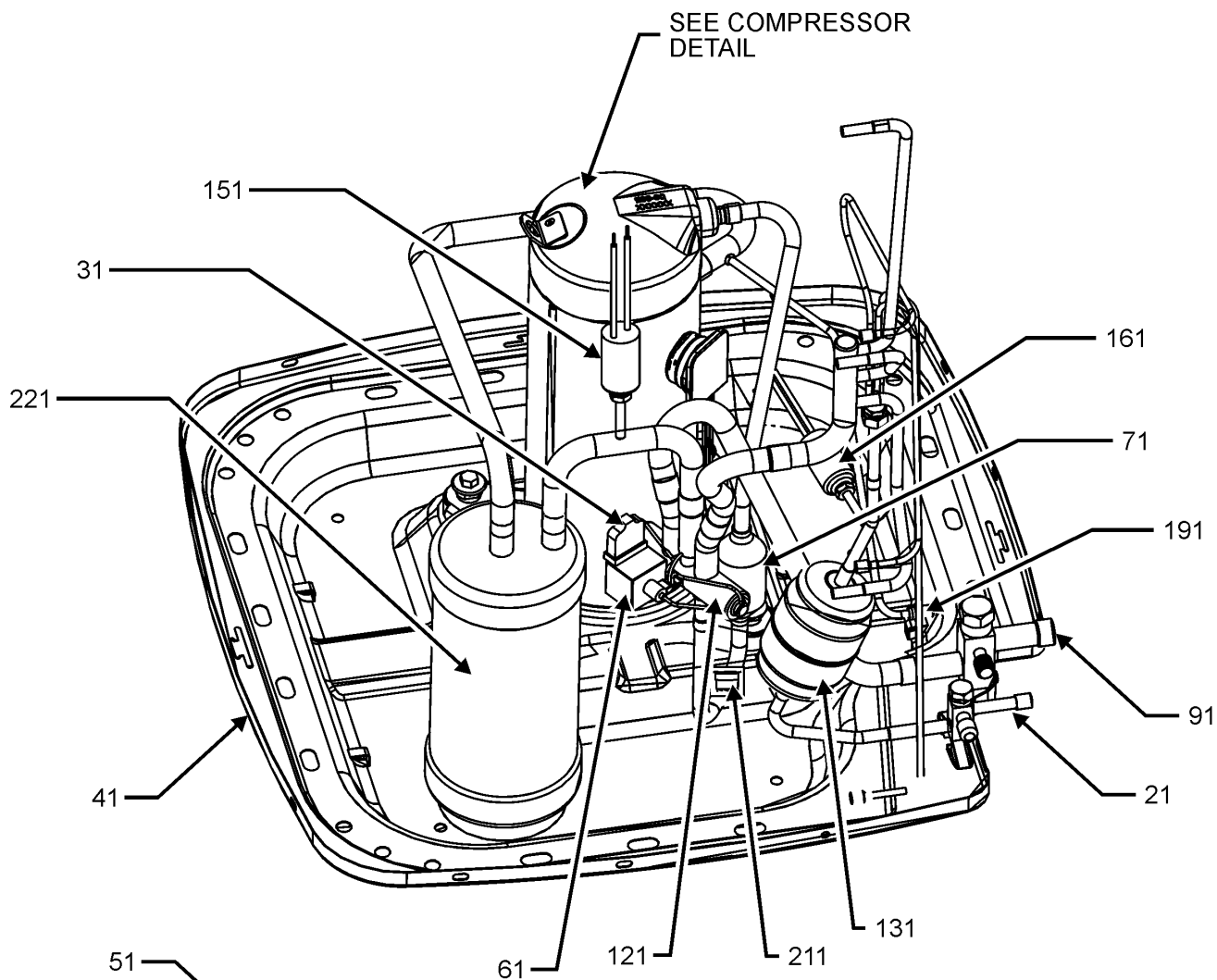
# Control Box Assembly

Ref. Part No:	No:	Description:	Ref. Part No:	No:	Description:
<i>Image 1:</i>					
11	0121R00625PNG	PANEL, LOWER ACCESS PNT (M1, M2, M8, M9)			
11	0121R00154PNG	PANEL, LOWR ACCESS PNT (M3, M4, M6, M7)			
11	0121R00328PNG	PANEL, LOWR ACCESS PNT (M5)			
21	0121R00053PNG	CONTROL COVER, SMALL PNT			
71	CONT1P025024V	CONTACTOR 25 AMP, 1P, 24V (M1, M2, M3, M4, M5)			
71	CONT1P030024V	CONTACTOR 30 AMP, 1P, 24V (M6, M7, M8, M9)			
81	CAP050300440CS	CAP.5/30MFD/440V/DUAL RD (M1)			
81	CAP050350440CS	CAPACITOR 5/35/440V (M2, M3)			
81	CAP050450440CT	CAPACITOR 5/45/440V/DUAL RD (M4, M5, M6, M7, M8)			
81	CAP050700440CT	CAPACITOR 5/70/440V/DUAL RD (M9)			
91	4400065	CAPACITOR STRAP			
131	PCBDM133	DEFROST CONTROL BOARD			
NS	0161R00089	NAMEPLATE, DAIKIN			

## Expanded Model Nomenclature

M1 - DZ14SN0181AE
M2 - DZ14SN0241AE
M3 - DZ14SN0301AE
M4 - DZ14SN0361AD
M5 - DZ14SN0421AD
M6 - DZ14SN0481AC
M7 - DZ14SN0481AD
M8 - DZ14SN0491AD
M9 - DZ14SN0601AC

# Compressor and Tubing Assembly



COMPRESSOR  
DETAIL

NOTE: TUBING ASSEMBLY MAY DIFFER FROM WHAT IS SHOWN

# Compressor and Tubing Assembly

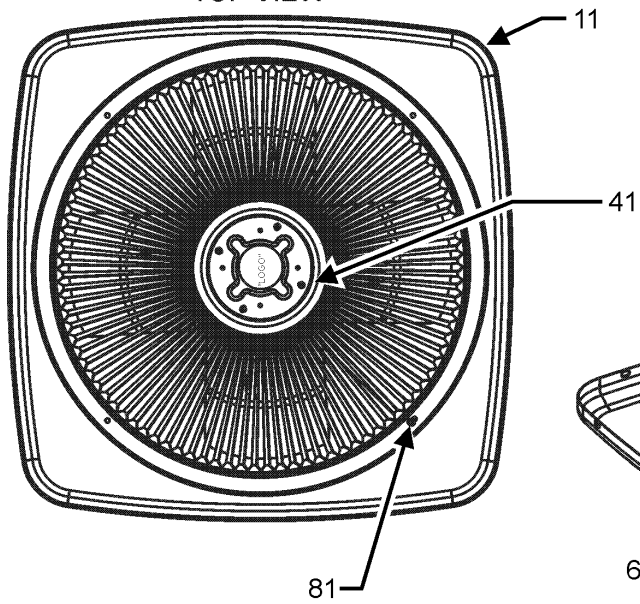
Ref. Part No:	Ref. Part No:	Description:	Description:
<b>Image 1:</b>			
21	0151R00167	BASE VALVE 3/8"	
31	0130M00083	REVERSING VALVE HARNESS (M1, M2, M3, M4, M6, M7, M8, M9)	
31	0130M00350	REVERSING VALVE HARNESS (M5)	
41	0121R00006PNG	BASE PAN 29" (M1, M2, M3, M4, M6, M7)	
41	0121R00007PNG	BASE PAN, 35.5" PNT (M5, M8, M9)	
51	ZP14K6EPFV130	COMP, 14,000,208/230/60/1 (M1)	
51	ZP20K6EPFV130	COMP, 20,000,208/230/60/1 (M2)	
51	ZP34K6EPFV130	COMP, 46500, 208/230/60/1 (M5)	
51	ZP40K6EPFV130	COMP, 53700, 208/230/60/1 (M6, M7)	
51	ZP25K6EPFV130	COMP,34200,208/230/60/1 (M3)	
51	ZP31K6EPFV130	COMP,42500,208/230/60/1 (M4)	
51	ZP39K5EPFV130	COMPRESSOR 39000, 208/230/60/1 (M8)	
51	ZP51K5EPFV130	COMPRESSOR 51000, 208/230/60/1 (M9)	
61	B1225022	SOLENOID COIL	
71	0162R00007	MUFFLER 1/2 X 1/2	
91	0151R00079	BASE VALVE 3/4" (M1, M2, M3, M4)	
91	0151R00080	BASE VALVE 7/8" (M5, M6, M7, M8, M9)	
111	0159R00001P	COMPRESSOR SCROLL HARNESS (M1, M2, M3, M4, M6, M7)	
111	0159R00002P	COMPRESSOR SCROLL HARNESS (M5, M8, M9)	
121	0151R00068	REVERSING VALVE (M1, M2)	
121	0151R00069	REVERSING VALVE (M3, M4)	
121	0151R00071	REVERSING VALVE (M5, M6, M7, M8, M9)	
131	20485201	BI-FLOW FILTER DRIER	
151	0130M00088	CUT-OUT SWITCH, LOW PRESSURE	
161	0130M00089	CUT-OUT SWITCH, HIGH PRESSURE	
191	B1787000	VALVE CORE	
211	0130M00106	DISC THERMOSTAT CRNKCS HTR SW	
221	0151L00008	ACCUMULATOR (M4)	
221	0151R00004P	ACCUMULATOR .750 (M1, M2, M3)	
221	B1226207	ACCUMULATOR .875 (M5, M6, M7, M8, M9)	
251	0163R00006	HEATER, CRANKCASE 230V, 40W (M1, M2, M3, M4)	
251	0163R00007	HEATER, CRANKCASE 230V, 40W (M5, M6, M7, M8, M9)	
271	M0221641	TF SHOULDER SCREW (QTY 4)	
281	B1339533	COMPRESSOR GROMMET (QTY 4)	

## Expanded Model Nomenclature

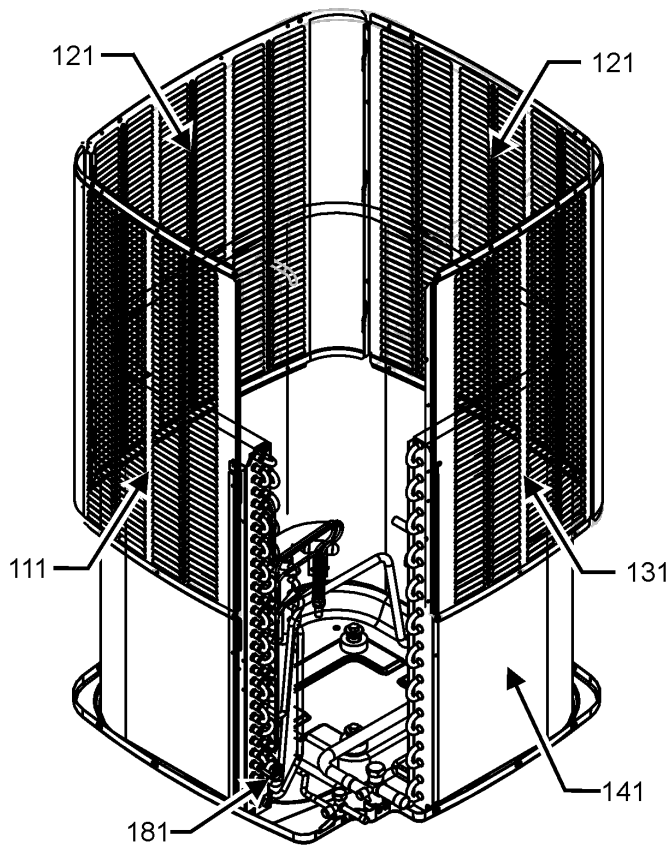
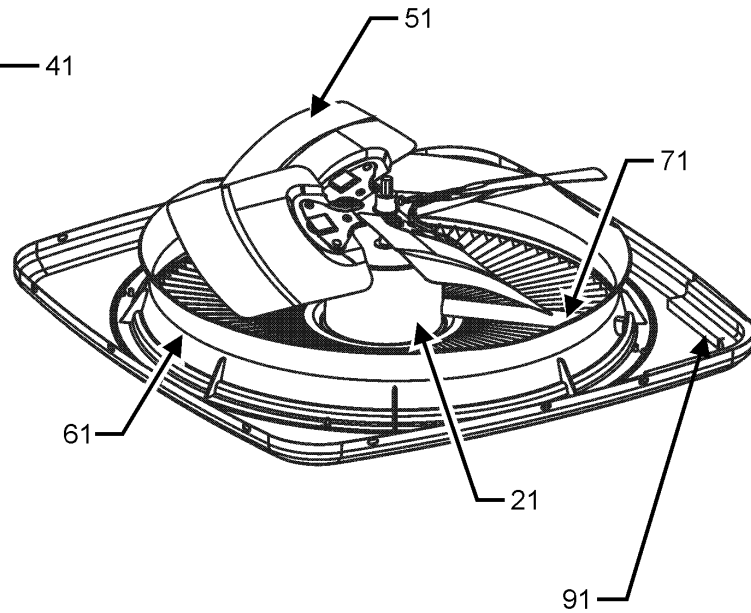
M1 - DZ14SN0181AE
M2 - DZ14SN0241AE
M3 - DZ14SN0301AE
M4 - DZ14SN0361AD
M5 - DZ14SN0421AD
M6 - DZ14SN0481AC
M7 - DZ14SN0481AD
M8 - DZ14SN0491AD
M9 - DZ14SN0601AC

# Top and Louver Panel Assembly

TOP PANEL ASSEMBLY  
TOP VIEW



TOP PANEL ASSEMBLY  
BOTTOM VIEW



LOUVER PANEL ASSEMBLY

# Top and Louver Panel Assembly

Ref. Part No:	Ref. Part No:	Description:	Description:
<b>Image 1:</b>			
11	0121R00010PNG	PANEL, TOP 29" PNT (M1, M2, M3, M4, M6, M7)	
11	0121R00269PNG	TOP PANEL, 35" (M5, M8, M9)	
21	0131M00807	MOTOR, 1/4HP,1SP,8PL,AL (M6, M7, M9)	
21	0131M00753	MOTOR, 1/6HP, 1SP, 8PL, AL (M1, M2, M3, M4)	
21	0131M00754	MOTOR, PSC, 1/6HP, 8PL (M5, M8)	
41	0163M00006P	ACORN NUT 5/16 HEX BLACK (QTY 4)	
51	0150M00008	FAN BLADE 22" TNT2203-25 (M1, M2, M3, M4)	
51	B1086765	FAN BLADE TYPE 3 (M6, M7)	
51	0150M00054	FAN BLADE, 26" (M5, M8, M9)	
61	0161R00048	MOLDED RING-VENTURI 22 (M1, M2, M3, M4, M6, M7)	
61	0161R00049	MOLDED RING-VENTURI 26" (M5, M8, M9)	
71	0161R00002P	CONDUIT (M1, M2, M3, M4, M6, M7)	
71	0161R00004P	CONDUIT (M5, M8, M9)	
81	0163M00004	SCREW #10X3/4", BLACK (QTY 4)	
91	0154R00006	GASKET, CONTROL PANEL	
111	0121R00580PNGB	PANEL 1, BENT LOUVER 29_34.64 (M1, M2)	
111	0121R00589PNGB	PANEL 1, BENT LOUVER 29_36.38 (M3, M4, M6, M7)	
111	0121R00598PNGB	PANEL 1, BENT LOUVER 35_34.64 (M8, M9)	
111	0121R00601PNGB	PANEL 1, BENT LOUVER 35_39.84 (M5)	
121	0121R00581PNGB	PANEL 2, BENT LOUVER 29_34.64 (M1, M2)	
121	0121R00590PNGB	PANEL 2, BENT LOUVER 29_36.38 (M3, M4, M6, M7)	
121	0121R00599PNGB	PANEL 2, BENT LOUVER 35_34.64 (M8, M9)	
121	0121R00514PNGB	PANEL 2, BENT LOUVER 35_39.84 (M5)	
131	0121R00582PNG	PANEL 3, LOUVER 29_34.64 PNT (M1, M2)	
131	0121R00591PNG	PANEL 3, LOUVER 29_36.38 PNT (M3, M4, M6, M7)	
131	0121R00600PNG	PANEL 3, LOUVER 35_34.64 PNT (M8, M9)	
131	0121R00603PNG	PANEL 3, LOUVER 35_39.84 PNT (M5)	
141	0201R00515	COIL TUBING ASSY (M5)	
141	0201R00567	COIL TUBING ASSY (M8, M9)	
141	0201R00581	COIL TUBING ASSY (M6, M7)	
141	0201R00668	COIL TUBING ASSY (M1)	
141	0201R00669	COIL TUBING ASSY (M2)	
141	0201R00670	COIL TUBING ASSY (M3)	
141	0201R00671	COIL TUBING ASSY (M4)	
181	0130M00250	CONTROL, DEFROST	
NS	B1789872	FLOW CHECK PISTON KIT (M4)	
NS	B1789851	FLOW CHECK PISTON KIT .051 (M1)	
NS	B1789857	FLOW CHECK PISTON KIT .057 (M2)	
NS	B1789865	FLOW CHECK PISTON KIT .065 (M3)	
NS	B1789878	FLOW CHECK PISTON KIT .078 (M5)	
NS	B1789880	FLOW CHECK PISTON KIT .080 (M6, M7, M8)	
NS	B1789888	FLOW CHECK PISTON KIT .088 (M9)	
NS	0163M00005P	WASHER, BLACK (.50 OD .218ID) (QTY 4)	

## Expanded Model Nomenclature

M1 - DZ14SN0181AE
M2 - DZ14SN0241AE
M3 - DZ14SN0301AE
M4 - DZ14SN0361AD
M5 - DZ14SN0421AD
M6 - DZ14SN0481AC
M7 - DZ14SN0481AD
M8 - DZ14SN0491AD
M9 - DZ14SN0601AC