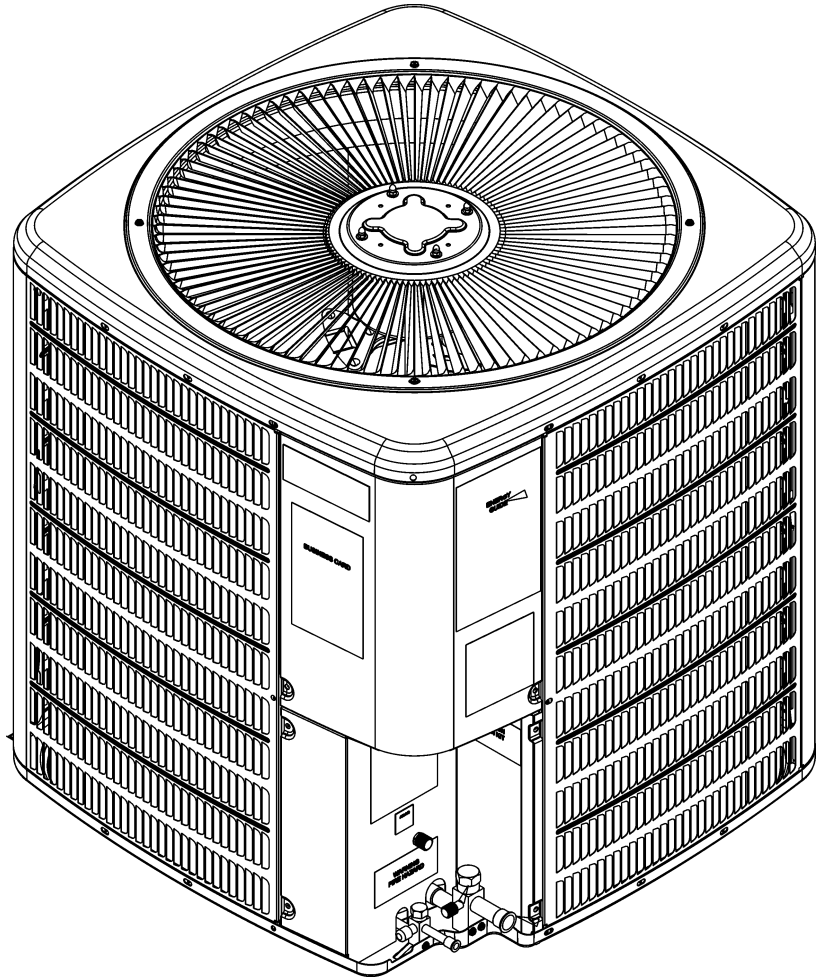


DZ14SN Remote Heat Pump

DZ14SN0181AA
DZ14SN0181AB
DZ14SN0181AC
DZ14SN0181AD
DZ14SN0241AA
DZ14SN0241AB
DZ14SN0241AC
DZ14SN0241AD
DZ14SN0301AA
DZ14SN0301AC
DZ14SN0361AA
DZ14SN0361AB
DZ14SN0421AA
DZ14SN0421AB
DZ14SN0421AC
DZ14SN0481AA
DZ14SN0481AB
DZ14SN0491AA
DZ14SN0491AB
DZ14SN0491AC
DZ14SN0601AA
DZ14SN0601AB



This manual is to be used by qualified technicians only.

This manual replaces RP-D4024D.

Important Information

Index

Functional Parts List	3
Illustration and Parts	4 - 9

Views shown are for parts illustrations only, not servicing procedures

Text Codes:

AR - As Required

NA - Not Available

NS - Not Shown

00000000 - See Note

QTY - Quantity Example (QTY 3) (If Quantity not shown, Quantity = 1)

M - Model Example (M1) (If M Code not shown, then part is used on all Models)

Expanded Model Nomenclature:

Example
M1 - Model#1
M2 - Model#2
M3 - Model#3

Daikin Company, L.P. is not responsible for personal injury or property damage resulting from improper service. Review all service information before beginning repairs.

Warranty service must be performed by an authorized technician, using authorized factory parts. If service is required after the warranty expires, Daikin Company, L.P. also recommends contacting an authorized technician and using authorized factory parts.

Daikin Company, L.P. reserves the right to discontinue, or change at any time, specifications or designs without notice or without incurring obligations.

For assistance within the U.S.A. contact:

Homeowner Support
Daikin North America, LLC
19001 Kermier Road
Waller, Texas 77484
855-770-5678-Telephone
713-863-2382-Facsimile

For assistance outside the U.S.A. contact:

International Division
Daikin North America, LLC
19001 Kermier Road
Waller, Texas 77484
713-861-2500-Telephone
713-863-2382-Facsimile

Functional Parts

Part

No: **Description:**

0151R00079	BASE VALVE 3/4" (M1, M2, M3, M4, M5, M6, M7, M8, M9, M10, M11, M12)
0151R00078	BASE VALVE 3/8"
0151R00080	BASE VALVE 7/8" (M13, M14, M15, M16, M17, M18, M19, M20, M21, M22)
CAP050300440CS	CAP, 5/30MFD/440V/DUAL RD (M1, M2, M3, M4)
CAP050350440CS	CAPACITOR 5/35/440V (M5, M6, M7, M8, M9, M10)
CAP050450440CT	CAPACITOR 5/45/440V/DUAL RD (M11, M12, M13, M14, M15, M16, M17, M18, M19, M20)
CAP050700440CT	CAPACITOR 5/70/440V/DUAL RD (M21, M22)
ZP14K6EPFV130	COMP, 14,000,208/230/60/1 (M1, M2, M3, M4)
ZP20K6EPFV130	COMP, 20,000,208/230/60/1 (M5, M6, M7, M8)
ZP34K6EPFV130	COMP, 46500, 208/230/60/1 (M13, M14, M15)
ZP40K6EPFV130	COMP, 53700, 208/230/60/1 (M16, M17)
ZP25K6EPFV130	COMP, 34200, 208/230/60/1 (M9, M10)
ZP31K6EPFV130	COMP, 42500, 208/230/60/1 (M11, M12)
ZP39K5EPFV130	COMPRESSOR 39000, 208/230/60/1 (M18, M19, M20)
ZP51K5EPFV130	COMPRESSOR 51000, 208/230/60/1 (M21, M22)
0131M00061	COND MOTOR 1/4 HP, 1 SP, 8 PL (M13, M16, M17, M18, M21, M22)
0131M00060	COND MOTOR 1/6 HP, 1 SP, 8 PL (M1, M2, M3, M5, M6, M7, M9, M11)
0131M00753	COND MOTOR, 1/6HP, 1SP, 8PL, AL (M4, M8, M10, M12)
0131M00754	COND MOTOR, PSC, 1/6HP, 8PL (M14, M15, M19, M20)
CONT1P025024V	CONTACTOR 25 AMP, 1P, 24V (M1, M2, M3, M4, M5, M6, M7, M8, M9, M10, M11, M12, M13, M14, M15)
CONT1P030024V	CONTACTOR 30 AMP, 1P, 24V (M16, M17, M18, M19, M20, M21, M22)
0130M00250	CONTROL, DEFROST
0130M00089	CUT-OUT SWITCH, HIGH PRESSURE
0130M00088	CUT-OUT SWITCH, LOW PRESSURE
PCBDM133	DEFROST CONTROL BOARD (M1, M2, M3, M4, M5, M7, M8, M9, M10, M11, M12, M13, M14, M15, M16, M17, M18, M19, M20, M21, M22)
10625738	FAN BLADE 26" ALUM CCW (M13, M14, M15, M18, M19, M20, M21, M22)
B1086764	FAN BLADE TYPE 2 (M1, M2, M3, M4, M5, M6, M7, M8, M9, M10, M11, M12)
B1086765	FAN BLADE TYPE 3 (M16, M17)
0163R00007	HEATER, CRANKCASE 230V, 40W (M13, M14, M15, M16, M17, M18, M19, M20, M21, M22)
0163R00006	HEATER, CRANKCASE 230V, 40W (M1, M2, M3, M4, M5, M6, M7, M8, M9, M10, M11, M12)
PCBDM160	PCB, DEFROST CONTROL (M6)
0151R00069	REVERSING VALVE (M9, M10, M11, M12)
0151R00068	REVERSING VALVE (M1, M2, M3, M4, M5, M6, M7, M8)
0151R00071	REVERSING VALVE (M13, M14, M15, M16, M17, M18, M19, M20, M21, M22)
B1225022	SOLENOID COIL

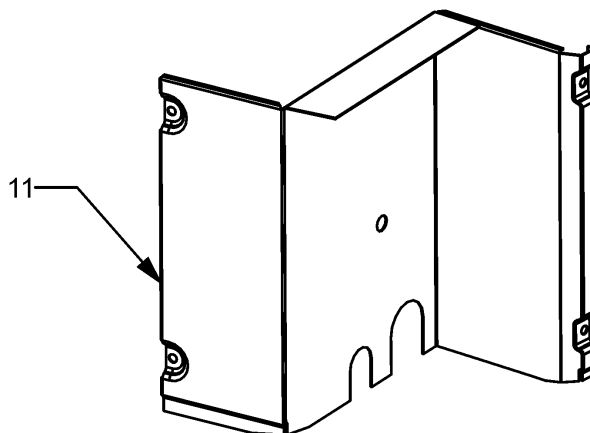
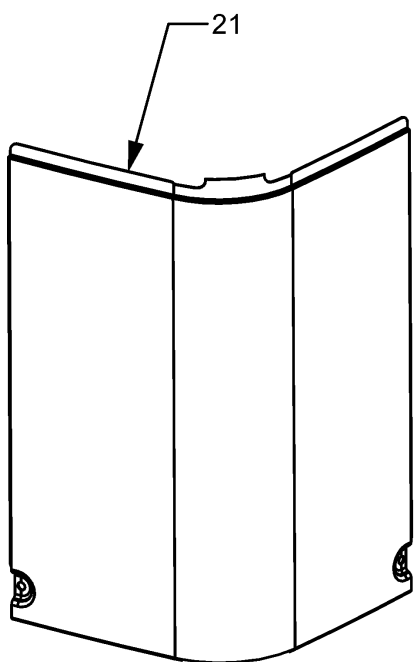
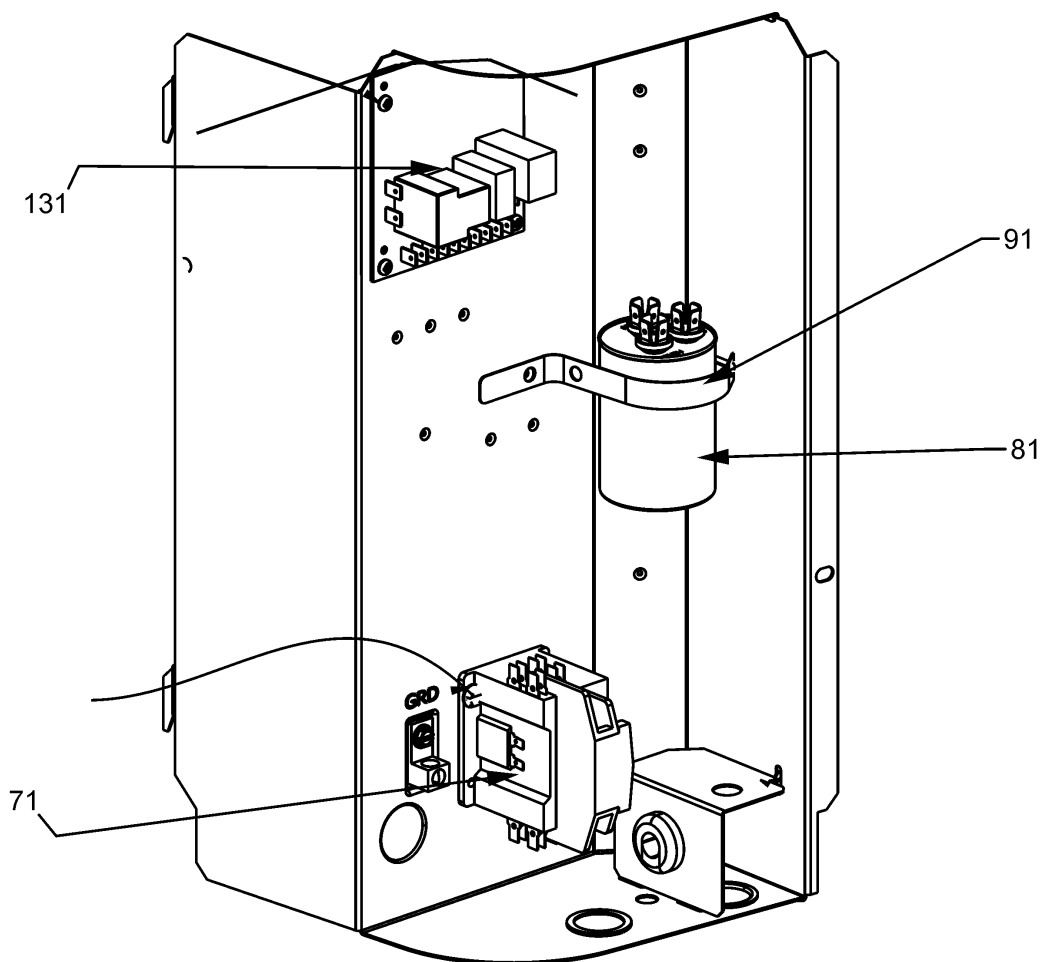
Expanded Model Nomenclature

M1 - DZ14SN0181AA
M2 - DZ14SN0181AB
M3 - DZ14SN0181AC
M4 - DZ14SN0181AD
M5 - DZ14SN0241AA
M6 - DZ14SN0241AB
M7 - DZ14SN0241AC
M8 - DZ14SN0241AD
M9 - DZ14SN0301AA
M10 - DZ14SN0301AC
M11 - DZ14SN0361AA
M12 - DZ14SN0361AB
M13 - DZ14SN0421AA
M14 - DZ14SN0421AB
M15 - DZ14SN0421AC
M16 - DZ14SN0481AA
M17 - DZ14SN0481AB
M18 - DZ14SN0491AA
M19 - DZ14SN0491AB
M20 - DZ14SN0491AC
M21 - DZ14SN0601AA
M22 - DZ14SN0601AB

SPECIAL PARTS

0161R00036	NAMEPLATE, DAIKIN
------------	-------------------

Control Box Assy



Control Box Assy

Ref. Part No: No:	Description:	Ref. Part No: No:	Description:
Image 1:			
11	0121R00154PNG		PANEL, LOWER ACCESS PNT (M9, M10, M11, M12, M16, M17)
11	0121R00328PNG		PANEL, LOWER ACCESS PNT (M13, M14, M15)
11	0121R00625PNG		PANEL, LOWER ACCESS PNT (M1, M2, M3, M4, M5, M6, M7, M8, M18, M19, M20, M21, M22)
21	0121R00053PNG		CONTROL COVER, SMALL PNT
71	CONT1P025024V		CONTACTOR 25 AMP, 1P, 24V (M1, M2, M3, M4, M5, M6, M7, M8, M9, M10, M11, M12, M13, M14, M15)
71	CONT1P030024V		CONTACTOR 30 AMP, 1P, 24V (M16, M17, M18, M19, M20, M21, M22)
81	CAP050300440CS		CAP,5/30MFD/440V/DUAL RD (M1, M2, M3, M4)
81	CAP050350440CS		CAPACITOR 5/35/440V (M5, M6, M7, M8, M9, M10)
81	CAP050450440CT		CAPACITOR 5/45/440V/DUAL RD (M11, M12, M13, M14, M15, M16, M17, M18, M19, M20)
81	CAP050700440CT		CAPACITOR 5/70/440V/DUAL RD (M21, M22)
91	4400065		CAPACITOR STRAP
131	PCBDM133		DEFROST CONTROL BOARD (M1, M2, M3, M4, M5, M7, M8, M9, M10, M11, M12, M13, M14, M15, M16, M17, M18, M19, M20, M21, M22)
131	PCBDM160		PCB, DEFROST CONTROL (M6)
NS	0161R00036		NAMEPLATE, DAIKIN

Expanded Model Nomenclature

M1 - DZ14SN0181AA
M2 - DZ14SN0181AB
M3 - DZ14SN0181AC
M4 - DZ14SN0181AD
M5 - DZ14SN0241AA
M6 - DZ14SN0241AB
M7 - DZ14SN0241AC
M8 - DZ14SN0241AD
M9 - DZ14SN0301AA
M10 - DZ14SN0301AC
M11 - DZ14SN0361AA
M12 - DZ14SN0361AB
M13 - DZ14SN0421AA
M14 - DZ14SN0421AB
M15 - DZ14SN0421AC
M16 - DZ14SN0481AA
M17 - DZ14SN0481AB
M18 - DZ14SN0491AA
M19 - DZ14SN0491AB
M20 - DZ14SN0491AC
M21 - DZ14SN0601AA
M22 - DZ14SN0601AB

Compressor / Tubing Assembly / Condenser

IMAGE 1

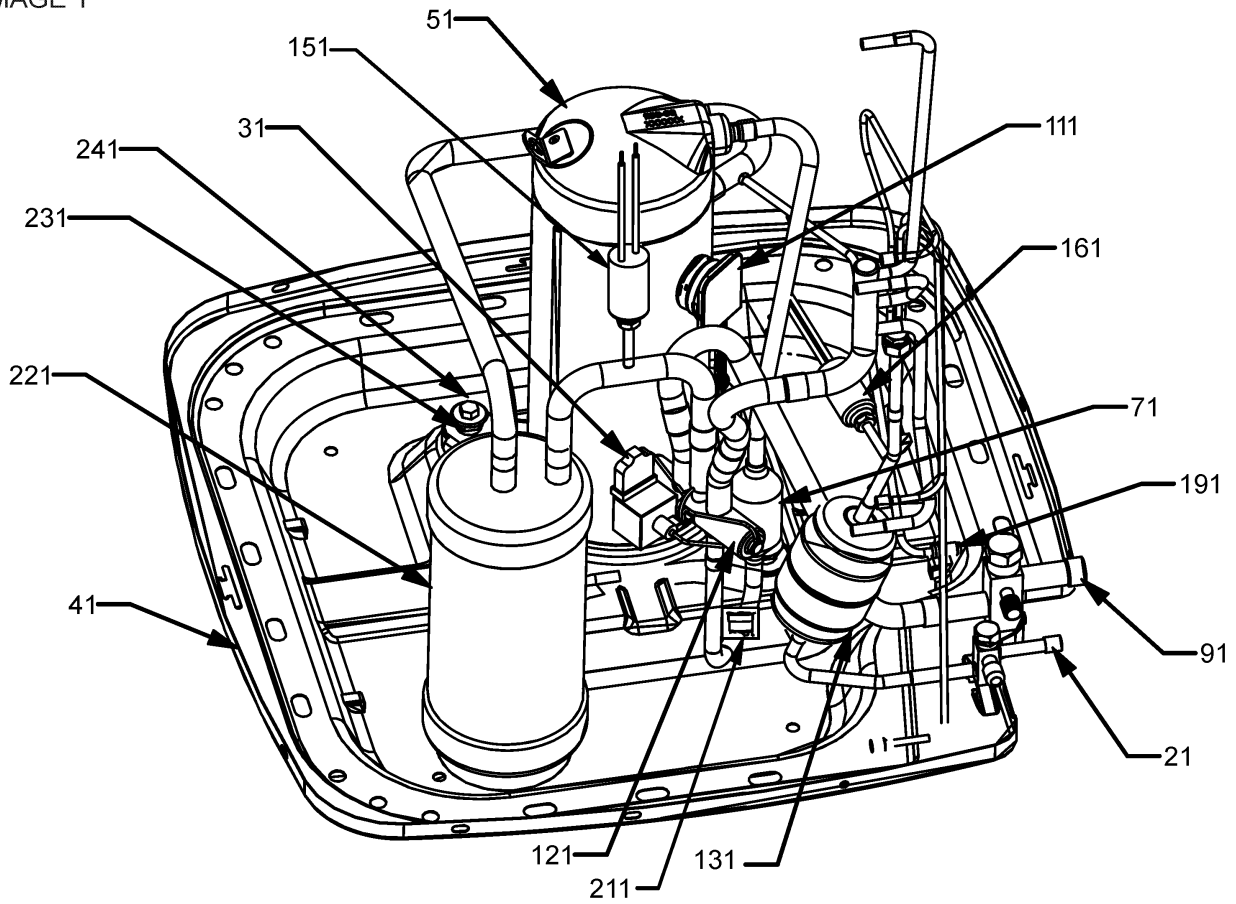
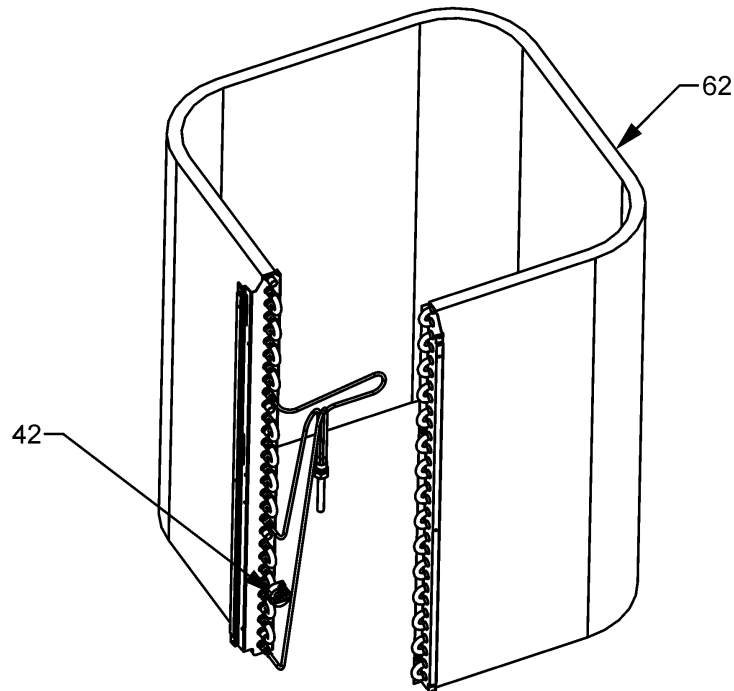


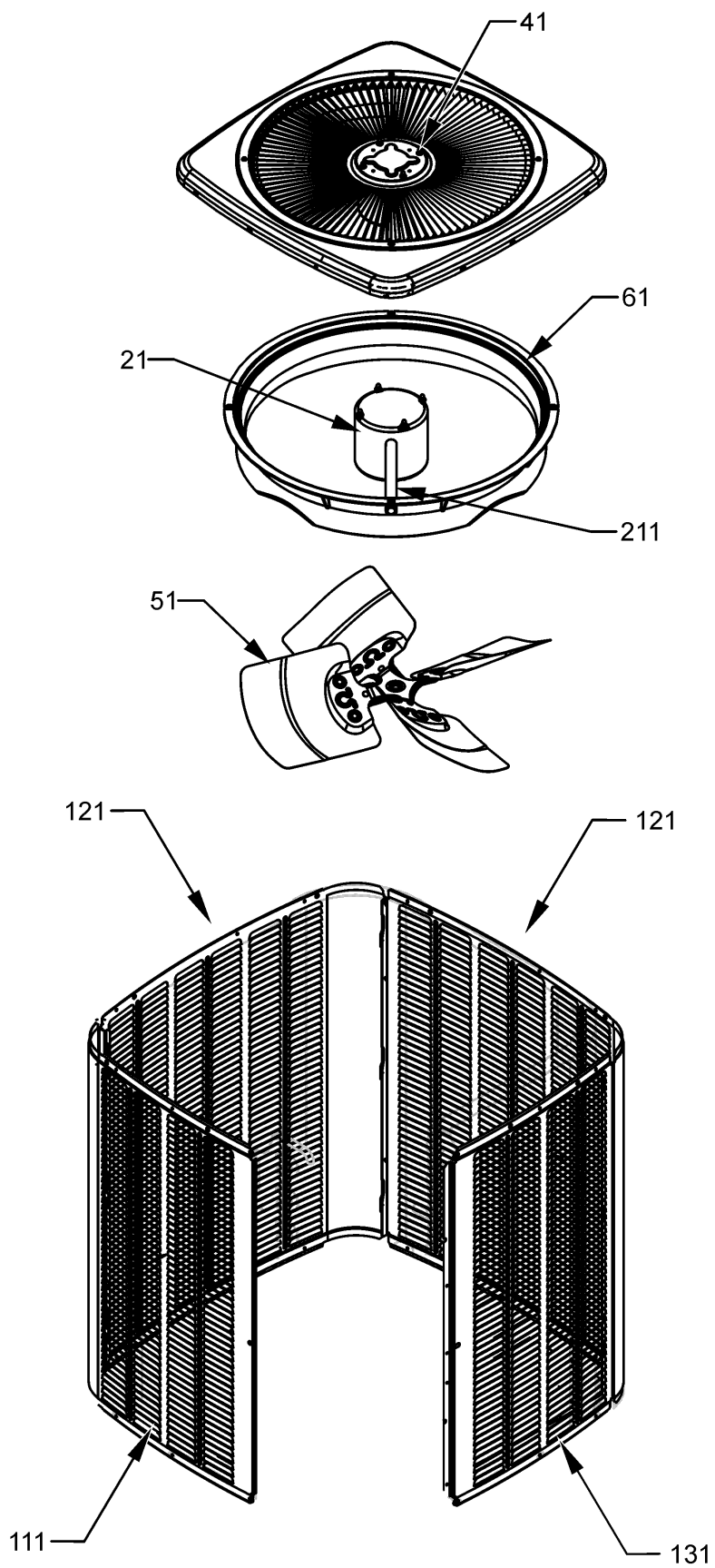
IMAGE 2



Compressor / Tubing Assembly / Condenser

Ref. Part No: No:	Description:	Ref. Part No: No:	Description:
Image 1:		Image 2:	
21	0151R00078 BASE VALVE 3/8"	NS B1789851	FLOW CHECK PISTON KIT .051 (M2, M3, M4)
31	0130M00083 SOLENOID HARNESS W/1/4" TERM	NS B1789857	FLOW CHECK PISTON KIT .057 (M5, M7, M8)
41	0121R00006PNG BASE PAN 29" (M1, M2, M3, M4, M5, M6, M7, M8, M9, M10, M11, M12, M16, M17)	NS B1789865	FLOW CHECK PISTON KIT .065 (M9, M10)
41	0121R00007PNG BASE PAN, 35.5" PNT (M13, M14, M15, M18, M19, M20, M21, M22)	NS B1789878	FLOW CHECK PISTON KIT .078 (M14, M15)
51	ZP14K6EPFV130 COMP, 14,000,208/230/60/1 (M1, M2, M3, M4)	NS B1789880	FLOW CHECK PISTON KIT .080 (M16, M17, M19, M20)
51	ZP20K6EPFV130 COMP, 20,000,208/230/60/1 (M5, M6, M7, M8)	NS B1789888	FLOW CHECK PISTON KIT .088 (M21, M22)
51	ZP34K6EPFV130 COMP, 46500, 208/230/60/1 (M13, M14, M15)	Expanded Model Nomenclature	
51	ZP40K6EPFV130 COMP, 53700, 208/230/60/1 (M16, M17)	M1 - DZ14SN0181AA	
51	ZP25K6EPFV130 COMP,34200,208/230/60/1 (M9, M10)	M2 - DZ14SN0181AB	
51	ZP31K6EPFV130 COMP,42500,208/230/60/1 (M11, M12)	M3 - DZ14SN0181AC	
51	ZP39K5EPFV130 COMPRESSOR 39000, 208/230/60/1 (M18, M19, M20)	M4 - DZ14SN0181AD	
51	ZP51K5EPFV130 COMPRESSOR 51000, 208/230/60/1 (M21, M22)	M5 - DZ14SN0241AA	
71	0162R00007 MUFFLER 1/2 X 1/2	M6 - DZ14SN0241AB	
91	0151R00079 BASE VALVE 3/4" (M1, M2, M3, M4, M5, M6, M7, M8, M9, M10, M11, M12)	M7 - DZ14SN0241AC	
91	0151R00080 BASE VALVE 7/8" (M13, M14, M15, M16, M17, M18, M19, M20, M21, M22)	M8 - DZ14SN0241AD	
111	0159R00001P COMPRESSOR SCROLL HARNESS (M1, M2, M3, M4, M5, M6, M7, M8, M9, M10, M11, M12, M16, M17)	M9 - DZ14SN0301AA	
111	0159R00002P COMPRESSOR SCROLL HARNESS (M13, M14, M15, M18, M19, M20, M21, M22)	M10 - DZ14SN0301AC	
121	0151R00068 REVERSING VALVE (M1, M2, M3, M4, M5, M6, M7, M8)	M11 - DZ14SN0361AA	
121	0151R00069 REVERSING VALVE (M9, M10, M11, M12)	M12 - DZ14SN0361AB	
121	0151R00071 REVERSING VALVE (M13, M14, M15, M16, M17, M18, M19, M20, M21, M22)	M13 - DZ14SN0421AA	
131	20485201 BI-FLOW FILTER DRIER	M14 - DZ14SN0421AB	
151	0130M00088 CUT-OUT SWITCH, LOW PRESSURE	M15 - DZ14SN0421AC	
161	0130M00089 CUT-OUT SWITCH, HIGH PRESSURE	M16 - DZ14SN0481AA	
191	B1787000 VALVE CORE	M17 - DZ14SN0481AB	
211	0130M00106 DISC THERMOSTAT CRNKCS HTR SW	M18 - DZ14SN0491AA	
221	0151L00008 ACCUMULATOR (M11, M12)	M19 - DZ14SN0491AB	
221	0151R00004P ACCUMULATOR .750 (M1, M2, M3, M4, M5, M6, M7, M8, M9, M10)	M20 - DZ14SN0491AC	
221	B1226207 ACCUMULATOR .875 (M13, M14, M15, M16, M17, M18, M19, M20, M21, M22)	M21 - DZ14SN0601AA	
231	B1339533 COMPRESSOR GROMMET (QTY 4)	M22 - DZ14SN0601AB	
241	M0221641 TF SHOULDER SCREW (QTY 4)		
NS	0163R00006 HEATER, CRANKCASE 230V, 40W (M1, M2, M3, M4, M5, M6, M7, M8, M9, M10, M11, M12)		
NS	0163R00007 HEATER, CRANKCASE 230V, 40W (M13, M14, M15, M16, M17, M18, M19, M20, M21, M22)		
NS	0130M00083 REVERSING VALVE HARNESS		
NS	B1225022 SOLENOID COIL		
Image 2:			
42	0130M00250 CONTROL, DEFROST		
62	0201R00515 COIL TUBING ASSY (M13, M14, M15)		
62	0201R00567 COIL TUBING ASSY (M18, M19, M20, M21, M22)		
62	0201R00581 COIL TUBING ASSY (M16, M17)		
62	0201R00668 COIL TUBING ASSY (M1, M2, M3, M4)		
62	0201R00669 COIL TUBING ASSY (M5, M6, M7, M8)		
62	0201R00670 COIL TUBING ASSY (M9, M10)		
62	0201R00671 COIL TUBING ASSY (M11, M12)		
NS	B1789872 FLOW CHECK PISTON KIT (M11, M12)		

Cabinet Top & Side Assy



Cabinet Top & Side Assy

Ref. Part No: No:	Description:	Ref. Part No: No:	Description:
Image 1:		Expanded Model Nomenclature	
11	0121R00010PNG TOP PANEL 29" (M1, M2, M3, M4, M5, M6, M7, M8, M9, M10, M11, M12, M16, M17)	M1 - DZ14SN0181AA	
11	0121R00269PNG Top Panel, 35" Pnt (M13, M14, M15, M18, M19, M20, M21, M22)	M2 - DZ14SN0181AB	
21	0131M00061 COND MOTOR 1/4 HP, 1 SP, 8 PL (M13, M16, M17, M18, M21, M22)	M3 - DZ14SN0181AC	
21	0131M00060 COND MOTOR 1/6 HP, 1 SP, 8 PL (M1, M2, M3, M5, M6, M7, M9, M11)	M4 - DZ14SN0181AD	
21	0131M00753 COND MOTOR, 1/6HP, 1SP, 8PL, AL (M4, M8, M10, M12)	M5 - DZ14SN0241AA	
21	0131M00754 COND MOTOR, PSC, 1/6HP, 8PL (M14, M15, M19, M20)	M6 - DZ14SN0241AB	
41	0163M00006P ACORN NUT 5/16 HEX BLACK (QTY 4)	M7 - DZ14SN0241AC	
51	10625738 FAN BLADE 26" ALUM CCW (M13, M14, M15, M18, M19, M20, M21, M22)	M8 - DZ14SN0241AD	
51	B1086764 FAN BLADE TYPE 2 (M1, M2, M3, M4, M5, M6, M7, M8, M9, M10, M11, M12)	M9 - DZ14SN0301AA	
51	B1086765 FAN BLADE TYPE 3 (M16, M17)	M10 - DZ14SN0301AC	
61	0161R00048 MOLDED RING-VENTURI 22 (M1, M2, M3, M4, M5, M6, M7, M8, M9, M10, M11, M12, M16, M17)	M11 - DZ14SN0361AA	
61	0161R00049 MOLDED RING-VENTURI 26" (M13, M14, M15, M18, M19, M20, M21, M22)	M12 - DZ14SN0361AB	
111	0121R00580PNGB PANEL 1, BENT LOUVER 29_34.64 (M1, M2, M3, M4, M5, M6, M7, M8)	M13 - DZ14SN0421AA	
111	0121R00598PNGB PANEL 1, BENT LOUVER 29_34.64 (M18, M19, M20, M21, M22)	M14 - DZ14SN0421AB	
111	0121R00589PNGB PANEL 1, BENT LOUVER 29_36.38 (M9, M10, M11, M12, M16, M17)	M15 - DZ14SN0421AC	
111	0121R00601PNGB PANEL 1, BENT LOUVER 29_36.38 (M13, M14, M15)	M16 - DZ14SN0481AA	
121	0121R00514PNGB PANEL 2, BENT LOUVER 29_34.64 (M13, M14, M15)	M17 - DZ14SN0481AB	
121	0121R00581PNGB PANEL 2, BENT LOUVER 29_34.64 (M1, M2, M3, M4, M5, M6, M7, M8)	M18 - DZ14SN0491AA	
121	0121R00590PNGB PANEL 2, BENT LOUVER 29_36.38 (M9, M10, M11, M12, M16, M17)	M19 - DZ14SN0491AB	
121	0121R00599PNGB PANEL 2, BENT LOUVER 29_36.38 (M18, M19, M20, M21, M22)	M20 - DZ14SN0491AC	
131	0121R00582PNG PANEL 3, LOUVER 29_34.64 PNT (M1, M2, M3, M4, M5, M6, M7, M8)	M21 - DZ14SN0601AA	
131	0121R00603PNG PANEL 3, LOUVER 29_34.64 PNT (M13, M14, M15)	M22 - DZ14SN0601AB	
131	0121R00591PNG PANEL 3, LOUVER 29_36.38 PNT (M9, M10, M11, M12, M16, M17)		
131	0121R00600PNG PANEL 3, LOUVER 29_36.38 PNT (M18, M19, M20, M21, M22)		
211	0161R00002P CONDUIT (M1, M2, M3, M4, M5, M6, M7, M8, M9, M10, M11, M12, M16, M17)		
211	0161R00004P CONDUIT (M13, M14, M15, M18, M19, M20, M21, M22)		