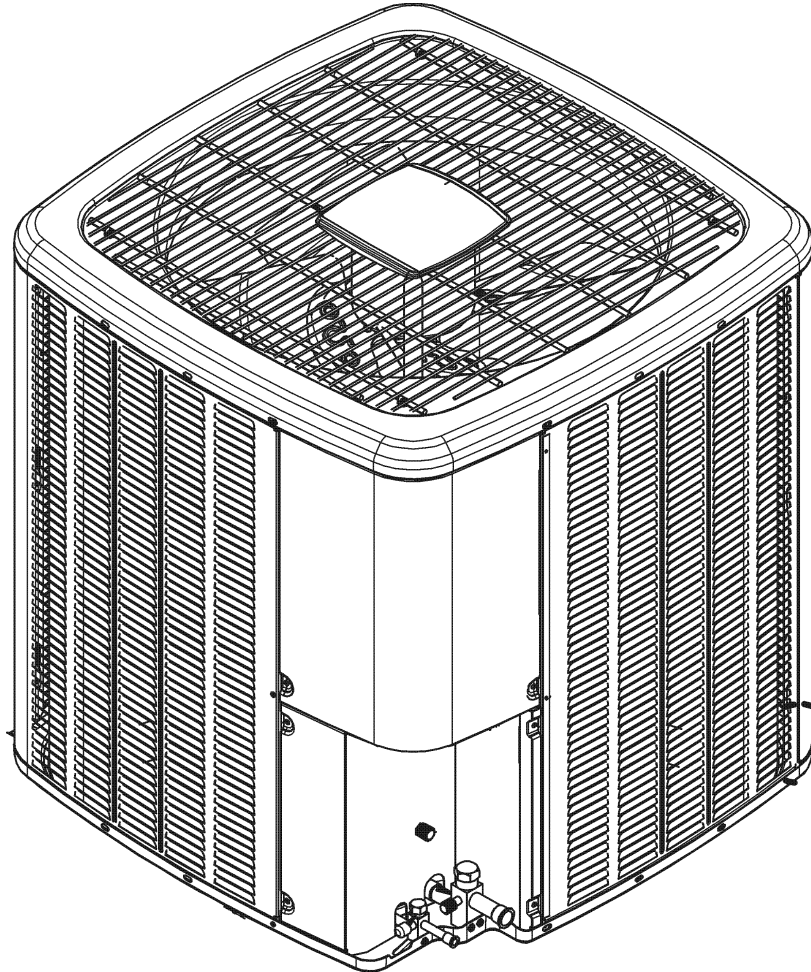


## DZ14SA Remote Heat Pump

DZ14SA0181BA

DZ14SA0241BA

DZ14SA0301BA



This manual is to be used by qualified technicians only.

# Important Information

---

## Index

|                              |       |
|------------------------------|-------|
| Functional Parts List .....  | 3     |
| Illustration and Parts ..... | 4 - 9 |

*Views shown are for parts illustrations only, not servicing procedures*

### Text Codes:

AR - As Required

NA - Not Available

NS - Not Shown

00000000 - See Note

QTY - Quantity Example (QTY 3) (If Quantity not shown, Quantity = 1)

M - Model Example (M1) (If M Code not shown, then part is used on all Models)

### Expanded Model Nomenclature:

|   |
|---|
| Example<br>M1 - Model#1<br>M2 - Model#2<br>M3 - Model#3 |
|---|

Daikin Company, L.P. is not responsible for personal injury or property damage resulting from improper service. Review all service information before beginning repairs.

Warranty service must be performed by an authorized technician, using authorized factory parts. If service is required after the warranty expires, Daikin Company, L.P. also recommends contacting an authorized technician and using authorized factory parts.

Daikin Company, L.P. reserves the right to discontinue, or change at any time, specifications or designs without notice or without incurring obligations.

For assistance within the U.S.A. contact:

Consumer Affairs Department  
Daikin North America, LLC  
7401 Security Way  
Houston, Texas 77040  
855-770-5678-Telephone  
713-863-2382-Facsimile

For assistance outside the U.S.A. contact:

International Division  
Daikin North America, LLC  
7401 Security Way  
Houston, Texas 77040  
713-861-2500-Telephone  
713-863-2382-Facsimile

# Functional Parts

## Part

## No: Description:

---

|                |  |
|----------------|--|
| B12825171      | 3/8" SERVICE VALVE                     |
| CAP050300440RS | CAPACITOR 5/30/370V (M1)               |
| CAP050400440CT | CAPACITOR 5/40/440V/DUAL RD (M2, M3)   |
| ZP16K5EPFV130  | COMPRESSOR 15500, 208/230/60/1 (M1)    |
| ZP21K5EPFV130  | COMPRESSOR 21300, 208/230/60/1 (M2)    |
| ZP25K5EPFV130  | COMPRESSOR 25200, 208/230/60/1 (M3)    |
| 0131M00060     | COND MOTOR 1/6 HP, 1 SP, 8 PL (M2, M3) |
| 0131M00266     | COND MOTOR 1/8 HP, 8 PL, PSC (M1)      |
| CONT1P025024V  | CONTACTOR 25 AMP, 1P, 24V              |
| 0130M00105     | CONTROL, DEFROST                       |
| 571006700      | CORE SENSE MODULE                      |
| 0130R00003     | CUT-OUT SWITCH, HIGH PRESSURE          |
| 0130M00088     | CUT-OUT SWITCH, LOW PRESSURE           |
| PCBDM133       | DEFROST CONTROL BOARD                  |
| 0130M00106     | DISC THERMOSTAT CRNKCS HTR SW          |
| 10625737       | FAN BLADE 22" ALUM CCW (M1)            |
| 0150M00008     | FAN BLADE 22" TNT2203-25 (M2, M3)      |
| 0163R00006     | HEATER, CRANKCASE 230V, 40W            |
| 0151R00069     | REVERSING VALVE (M3)                   |
| 0151R00068     | REVERSING VALVE (M1, M2)               |
| B1225022       | SOLENOID COIL                          |

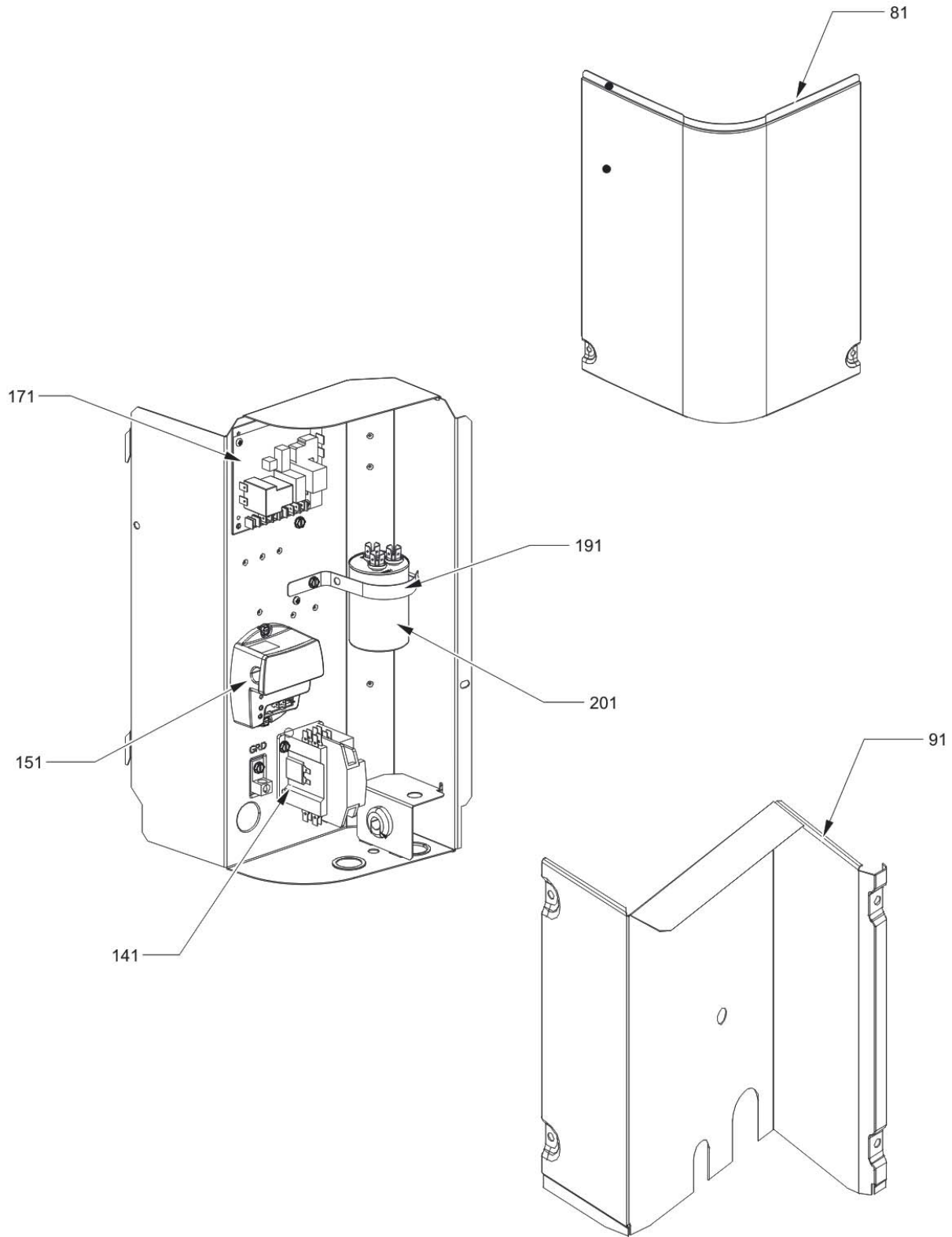
### SPECIAL PARTS

|            |                   |
|------------|-------------------|
| 0161R00038 | GRILL CAP         |
| 0161R00036 | NAMEPLATE, DAIKIN |

### Expanded Model Nomenclature

|                   |
|-------------------|
| M1 - DZ14SA0181BA |
| M2 - DZ14SA0241BA |
| M3 - DZ14SA0301BA |

# Control Panel Assembly



# Control Panel Assembly

| Ref. Part No: | No: | Description: | Ref. Part No: | No: | Description: |
|---------------|-----|--------------|---------------|-----|--------------|
|---------------|-----|--------------|---------------|-----|--------------|

---

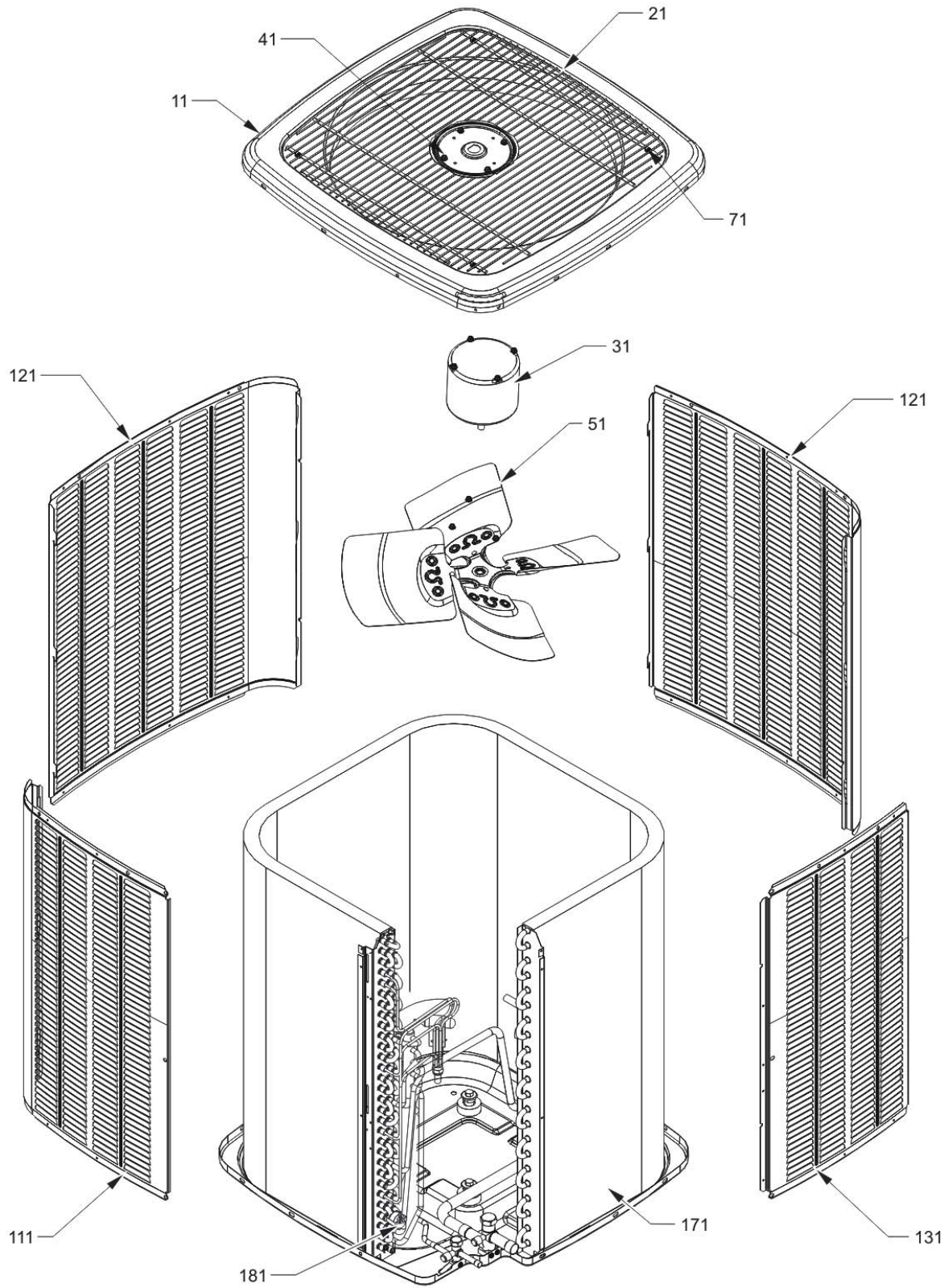
**Image 1:**

|     |                |                                      |
|-----|----------------|--------------------------------------|
| 81  | 0121R00053PNG  | CONTROL COVER, SMALL                 |
| 91  | 0121R00318     | LOWER ACCESS PANEL (M2, M3)          |
| 91  | 0121R00321     | LOWER ACCESS PANEL (M1)              |
| 141 | CONT1P025024V  | CONTACTOR 25 AMP, 1P, 24V            |
| 151 | 571006700      | CORE SENSE MODULE                    |
| 171 | PCBDM133       | DEFROST CONTROL BOARD                |
| 191 | 4400065        | CAPACITOR STRAP                      |
| 201 | CAP050300440RS | CAPACITOR 5/30/370V (M1)             |
| 201 | CAP050400440CT | CAPACITOR 5/40/440V/DUAL RD (M2, M3) |
| NS  | 0161R00038     | GRILL CAP                            |
| NS  | 0161R00036     | NAMEPLATE, DAIKIN                    |

**Expanded Model Nomenclature**

|                   |
|-------------------|
| M1 - DZ14SA0181BA |
| M2 - DZ14SA0241BA |
| M3 - DZ14SA0301BA |

# Top Panel / Coil Assembly



# Top Panel / Coil Assembly

| Ref. Part No: No: | Description: | Ref. Part No: No: | Description: |
|-------------------|--------------|-------------------|--------------|
|-------------------|--------------|-------------------|--------------|

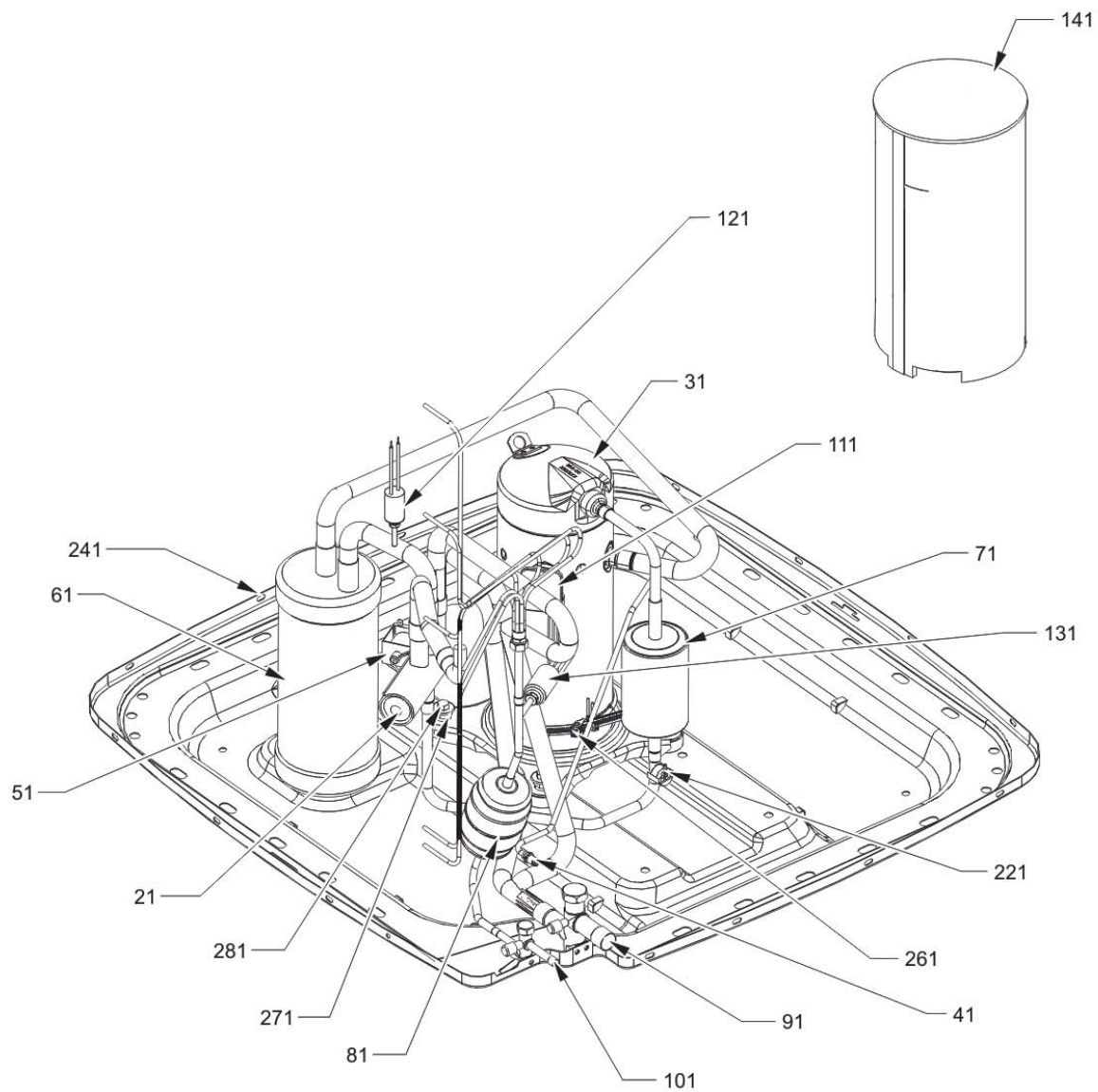
**Image 1:**

|     |               |   |
|-----|---------------|---|
| 11  | 0121R00011PNG | PANEL, VENTURI 29"                          |
| 21  | 0152R00011    | GRILLE, WIRE 29" TOP                        |
| 31  | 0131M00060    | COND MOTOR 1/6 HP, 1 SP, 8 PL (M2, M3)      |
| 31  | 0131M00266    | COND MOTOR 1/8 HP, 8 PL, PSC (M1)           |
| 41  | M0280801      | HEX NUT (QTY 4)                             |
| 51  | 10625737      | FAN BLADE 22" ALUM CCW (M1)                 |
| 51  | 0150M00008    | FAN BLADE 22" TNT2203-25 (M2, M3)           |
| 71  | 0163M00003P   | SCREW #10 X 1/2, A, SLOT, SR, BLACK (QTY 6) |
| 111 | 4400457PNGB   | PANEL 1, BENT LOUVER (M1)                   |
| 111 | 4400458PNGB   | PANEL 1, BENT LOUVER (M2, M3)               |
| 121 | 4400459PNGB   | PANEL 2, BENT LOUVER (M1)                   |
| 121 | 4400460PNGB   | PANEL 2, BENT LOUVER 29_36 (M2, M3)         |
| 131 | 4400461PNG    | PANEL 3, LOUVER 29_32 HRZ (M1)              |
| 131 | 4400462PNG    | PANEL 3, LOUVER 29_36 HRZ (M2, M3)          |
| 171 | 0201R00061    | TUBING ASSY, COND COIL (M2)                 |
| 171 | 0201R00062    | TUBING ASSY, COND COIL (M3)                 |
| 171 | 0201R00071    | TUBING ASSY, COND COIL (M1)                 |
| 181 | 0130M00105    | CONTROL, DEFROST                            |
| NS  | 0161R00002P   | CONDUIT                                     |

**Expanded Model Nomenclature**

- M1 - DZ14SA0181BA
- M2 - DZ14SA0241BA
- M3 - DZ14SA0301BA

# Compressor / Tubing Assembly



# Compressor / Tubing Assembly

| Ref. Part No: No: | Description:  | Ref. Part No: No: | Description:                        |
|-------------------|---------------|-------------------|-------------------------------------|
| <i>Image 1:</i>   |               |                   |                                     |
| 21                | 0151R00068    |                   | REVERSING VALVE (M1, M2)            |
| 21                | 0151R00069    |                   | REVERSING VALVE (M3)                |
| 31                | ZP16K5EPFV130 |                   | COMPRESSOR 15500, 208/230/60/1 (M1) |
| 31                | ZP21K5EPFV130 |                   | COMPRESSOR 21300, 208/230/60/1 (M2) |
| 31                | ZP25K5EPFV130 |                   | COMPRESSOR 25200, 208/230/60/1 (M3) |
| 41                | B1787000      |                   | VALVE CORE                          |
| 51                | 0130M00083    |                   | REVERSING VALVE HARNESS             |
| 61                | 0151R00004P   |                   | ACCUMULATOR .750                    |
| 71                | 0162R00007    |                   | MUFFLER 1/2 X 1/2                   |
| 81                | 20485201      |                   | BI-FLOW FILTER DRIER                |
| 91                | 0151R00032    |                   | VALVE, BASE 3/4" OPEN LEFT          |
| 101               | B12825171     |                   | 3/8" SERVICE VALVE                  |
| 111               | 0159R00001P   |                   | COMPRESSOR SCROLL HARNESS           |
| 121               | 0130M00088    |                   | CUT-OUT SWITCH, LOW PRESSURE        |
| 131               | 0130R00003    |                   | CUT-OUT SWITCH, HIGH PRESSURE       |
| 141               | B1488810      |                   | COMPRESSOR SOUND BLANKET            |
| 221               | 0130M00106    |                   | DISC THERMOSTAT CRNKCS HTR SW       |
| 241               | 0121R00006PNG |                   | BASE PAN, 29"                       |
| 261               | 0163R00006    |                   | HEATER, CRANKCASE 230V, 40W         |
| 271               | B1339533      |                   | COMPRESSOR GROMMET (QTY 4)          |
| 281               | M0221641      |                   | TF SHOULDER SCREW (QTY 4)           |
| NS                | 0163M00175    |                   | CAP WITH O-RING                     |
| NS                | B1225022      |                   | SOLENOID COIL                       |

## Expanded Model Nomenclature

|                   |
|-------------------|
| M1 - DZ14SA0181BA |
| M2 - DZ14SA0241BA |
| M3 - DZ14SA0301BA |