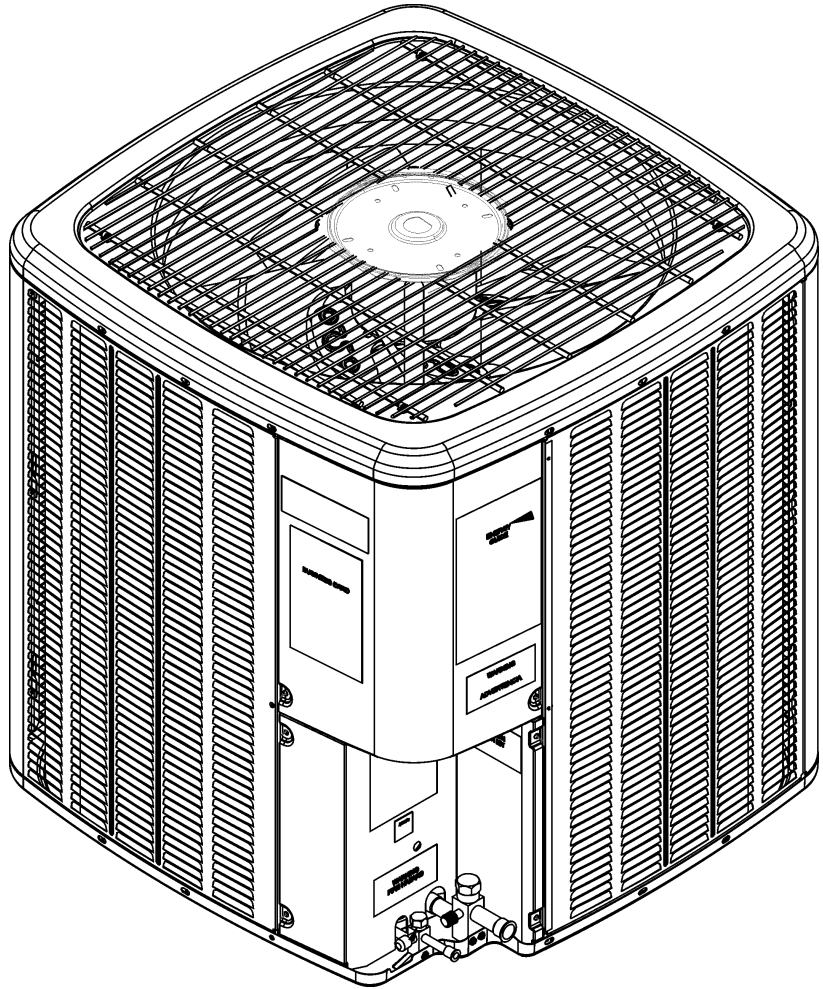


DZ14SA Remote Heat Pump

DZ14SA0181KA
DZ14SA0181KB
DZ14SA0181KC
DZ14SA0181KD
DZ14SA0241KA
DZ14SA0241KB
DZ14SA0241KC
DZ14SA0301KA
DZ14SA0301KB
DZ14SA0301KC
DZ14SA0361KA
DZ14SA0361KB
DZ14SA0361KC
DZ14SA0421KA
DZ14SA0421KB
DZ14SA0421KC
DZ14SA0481KA
DZ14SA0481KB
DZ14SA0491KA
DZ14SA0491KB
DZ14SA0491KC
DZ14SA0601KA
DZ14SA0601KB



This manual is to be used by qualified technicians only.

This manual replaces RP-D4027F.

© 2015 - 2017 **DAIKIN MANUFACTURING COMPANY, L.P.** ♦ 5151 San Felipe St., Suite 500 ♦ Houston, TX 77056

Important Information

Index

Functional Parts List	3
Illustration and Parts	4 - 9

Views shown are for parts illustrations only, not servicing procedures

Text Codes:

AR - As Required

NA - Not Available

NS - Not Shown

00000000 - See Note

QTY - Quantity Example (QTY 3) (If Quantity not shown, Quantity = 1)

M - Model Example (M1) (If M Code not shown, then part is used on all Models)

Expanded Model Nomenclature:

Example M1 - Model#1 M2 - Model#2 M3 - Model#3

Daikin Manufacturing Company, L.P. is not responsible for personal injury or property damage resulting from improper service. Review all service information before beginning repairs.

Warranty service must be performed by an authorized technician, using authorized factory parts. If service is required after the warranty expires, Daikin Manufacturing Company, L.P. also recommends contacting an authorized technician and using authorized factory parts.

Daikin Manufacturing Company, L.P. reserves the right to discontinue, or change at any time, specifications or designs without notice or without incurring obligations.

For assistance within the U.S.A. contact:

Homeowner Support
Daikin North America, LLC
19001 Kermier Road
Waller, Texas 77484
855-770-5678-Telephone
713-863-2382-Facsimile

For assistance outside the U.S.A. contact:

International Division
Daikin North America, LLC
19001 Kermier Road
Waller, Texas 77484
713-861-2500-Telephone
713-863-2382-Facsimile

Functional Parts

Part

No: **Description:**

0151R00167	BASE VALVE 3/8"
CAP050300440CS	CAP,5/30MFD/440V/DUAL RD (M1, M2, M3, M4)
CAP050350440CS	CAPACITOR 5/35/440V (M5, M6, M7, M8, M9, M10)
CAP050450440CT	CAPACITOR 5/45/440V/DUAL RD (M11, M12, M13, M14, M15, M16, M17, M18, M19, M20, M21)
CAP050700440CT	CAPACITOR 5/70/440V/DUAL RD (M22, M23)
ZP14K6EPFV130	COMP, 14,000,208/230/60/1 (M1, M2, M3, M4)
ZP20K6EPFV130	COMP, 20,000,208/230/60/1 (M5, M6, M7)
ZP34K6EPFV130	COMP, 46500, 208/230/60/1 (M14, M15, M16)
ZP40K6EPFV130	COMP, 53700, 208/230/60/1 (M17, M18)
ZP25K6EPFV130	COMP,34200,208/230/60/1 (M8, M9, M10)
ZP31K6EPFV130	COMP,42500,208/230/60/1 (M11, M12, M13)
ZP39K5EPFV130	COMPRESSOR 39000, 208/230/60/1 (M19, M20, M21)
ZP51K5EPFV130	COMPRESSOR 51000, 208/230/60/1 (M22, M23)
0131M00061	COND MOTOR 1/4 HP, 1 SP, 8 PL (M14, M17, M18, M19, M22, M23)
0131M00060	COND MOTOR 1/6 HP, 1 SP, 8 PL (M1, M2, M5, M6, M8, M9, M11, M12)
CONT1P025024V	CONTACTOR 25 AMP, 1P, 24V (M1, M2, M3, M4, M5, M6, M7, M8, M9, M10, M11, M12, M13, M14, M15, M16)
CONT1P030024V	CONTACTOR 30 AMP, 1P, 24V (M17, M18, M19, M20, M21, M22, M23)
0130M00250	CONTROL, DEFROST
571006700	CORE SENSE MODULE
0130R00003	CUT-OUT SWITCH, HIGH PRESSURE
0130M00088	CUT-OUT SWITCH, LOW PRESSURE
PCBDM133	DEFROST CONTROL BOARD
0130M00106	DISC THERMOSTAT(CRNKCS HTR SW)
10625738	FAN BLADE 26" ALUM CCW (M14, M15, M16, M19, M20, M21, M22, M23)
B1086764	FAN BLADE TYPE 2 (M1, M2, M3, M4, M5, M6, M7, M8, M9, M10, M11, M12, M13)
B1086765	FAN BLADE TYPE 3 (M17, M18)
0163R00006	HEATER, CRANKCASE 230V, 40W (M1, M2, M3, M4, M5, M6, M7, M8, M9, M10, M11, M12, M13)
0163R00007	HEATER, CRANKCASE 230V, 40W (M14, M15, M16, M17, M18, M19, M20, M21, M22, M23)
0131M00753	MOTOR, 1/6HP, 1SP, 8PL, AL (M3, M4, M7, M10, M13)
0131M00754	MOTOR, PSC, 1/6HP, 8PL (M15, M16, M20, M21)
0151R00068	REVERSING VALVE (M1, M2, M3, M4, M5, M6, M7)
0151R00069	REVERSING VALVE (M8, M9, M10, M11, M12, M13)
0151R00071	REVERSING VALVE (M14, M15, M16, M17, M18, M19, M20, M21, M22, M23)
B1225022	SOLENOID COIL

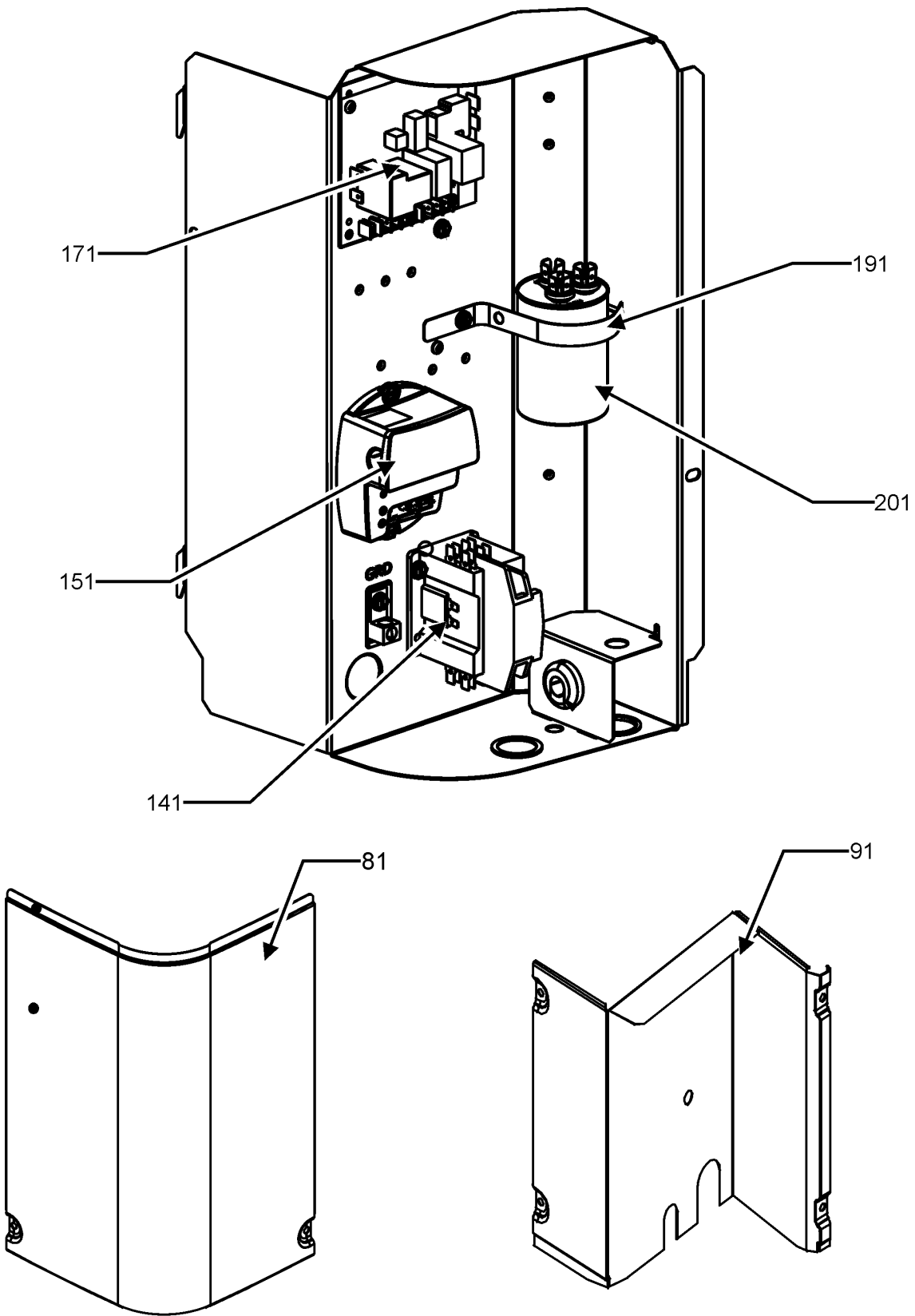
Expanded Model Nomenclature

M1 - DZ14SA0181KA
M2 - DZ14SA0181KB
M3 - DZ14SA0181KC
M4 - DZ14SA0181KD
M5 - DZ14SA0241KA
M6 - DZ14SA0241KB
M7 - DZ14SA0241KC
M8 - DZ14SA0301KA
M9 - DZ14SA0301KB
M10 - DZ14SA0301KC
M11 - DZ14SA0361KA
M12 - DZ14SA0361KB
M13 - DZ14SA0361KC
M14 - DZ14SA0421KA
M15 - DZ14SA0421KB
M16 - DZ14SA0421KC
M17 - DZ14SA0481KA
M18 - DZ14SA0481KB
M19 - DZ14SA0491KA
M20 - DZ14SA0491KB
M21 - DZ14SA0491KC
M22 - DZ14SA0601KA
M23 - DZ14SA0601KB

SPECIAL PARTS

0161R00091	CAP, GRILL
0161R00089	NAMEPLATE, DAIKIN

Control Panel Assembly



CONTROL COVER PANEL

LOWER ACCESS PANEL

Control Panel Assembly

Ref. Part No:	No:	Description:	Ref. Part No:	No:	Description:
---------------	-----	--------------	---------------	-----	--------------

Image 1:

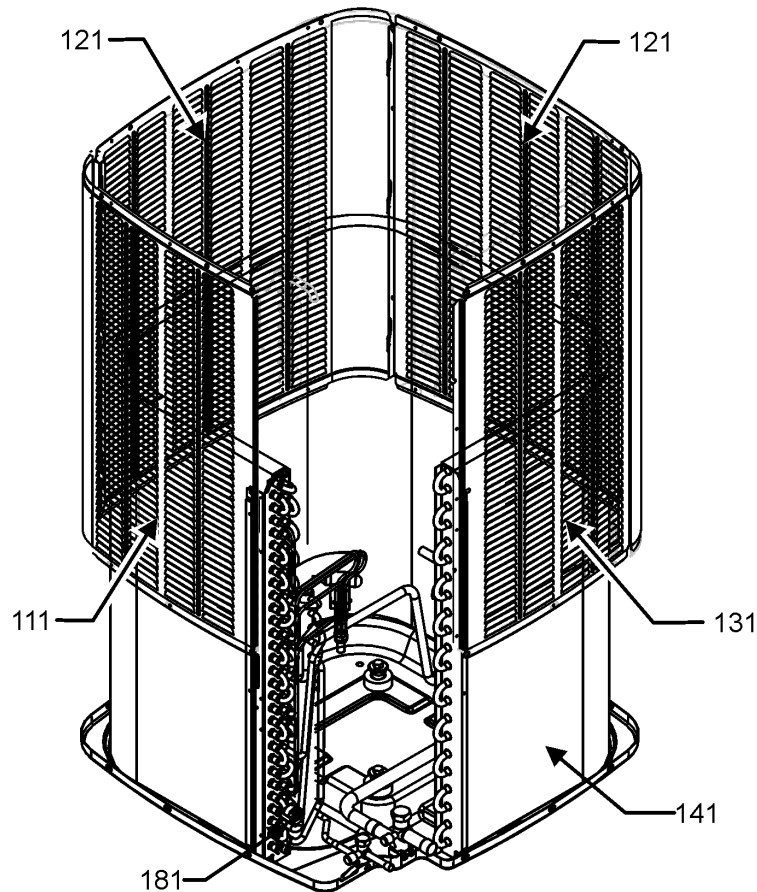
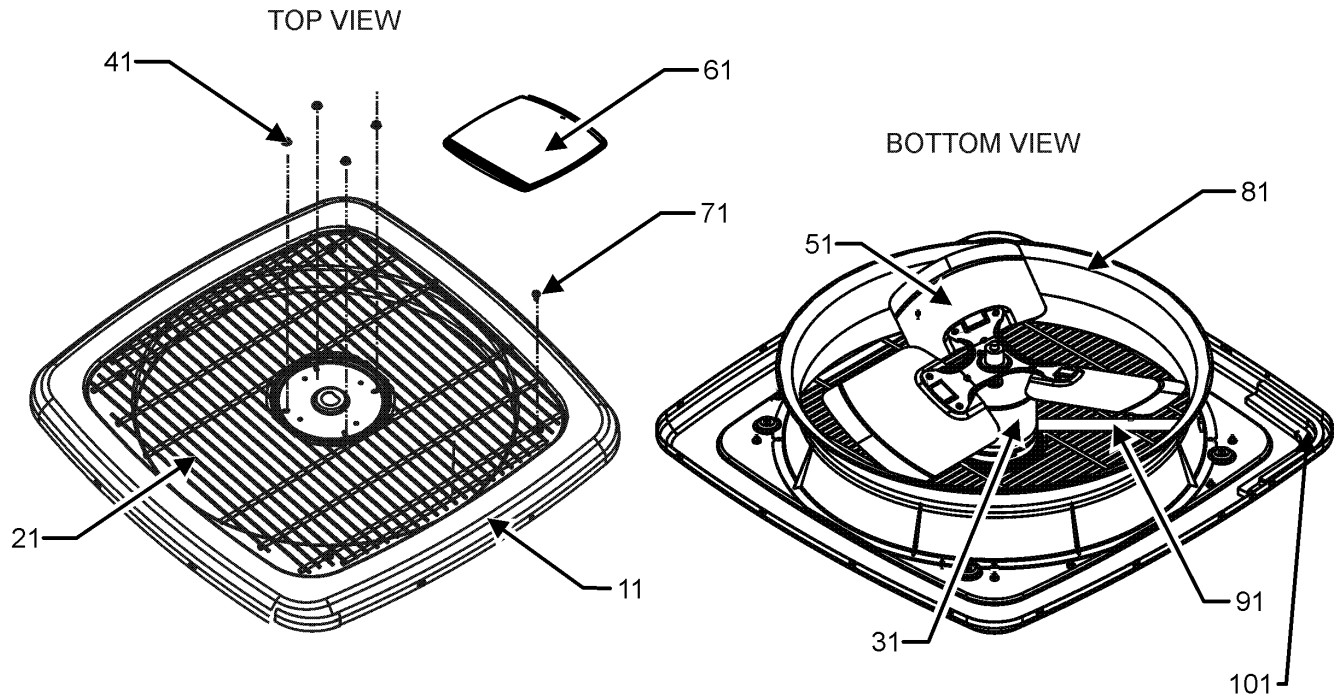
81	0121R00053PNG	CONTROL COVER
91	0121R00154PNG	LOWER ACCESS PANEL (M8, M9, M10, M11, M12, M13, M17, M18)
91	0121R00328PNG	LOWER ACCESS PANEL (M14, M15, M16)
91	0121R00625PNG	LOWER ACCESS PANEL (M1, M2, M3, M4, M5, M6, M7, M19, M20, M21, M22, M23)
141	CONT1P025024V	CONTACTOR 25 AMP, 1P, 24V (M1, M2, M3, M4, M5, M6, M7, M8, M9, M10, M11, M12, M13, M14, M15, M16)
141	CONT1P030024V	CONTACTOR 30 AMP, 1P, 24V (M17, M18, M19, M20, M21, M22, M23)
151	571006700	CORE SENSE MODULE
171	PCBDM133	DEFROST CONTROL BOARD
191	4400065	CAPACITOR STRAP
201	CAP050300440CS	CAP,5/30MFD/440V/DUAL RD (M1, M2, M3, M4)
201	CAP050350440CS	CAPACITOR 5/35/440V (M5, M6, M7, M8, M9, M10)
201	CAP050450440CT	CAPACITOR 5/45/440V/DUAL RD (M11, M12, M13, M14, M15, M16, M17, M18, M19, M20, M21)
201	CAP050700440CT	CAPACITOR 5/70/440V/DUAL RD (M22, M23)
NS	0161R00089	NAMEPLATE, DAIKIN

Expanded Model Nomenclature

- M1 - DZ14SA0181KA
- M2 - DZ14SA0181KB
- M3 - DZ14SA0181KC
- M4 - DZ14SA0181KD
- M5 - DZ14SA0241KA
- M6 - DZ14SA0241KB
- M7 - DZ14SA0241KC
- M8 - DZ14SA0301KA
- M9 - DZ14SA0301KB
- M10 - DZ14SA0301KC
- M11 - DZ14SA0361KA
- M12 - DZ14SA0361KB
- M13 - DZ14SA0361KC
- M14 - DZ14SA0421KA
- M15 - DZ14SA0421KB
- M16 - DZ14SA0421KC
- M17 - DZ14SA0481KA
- M18 - DZ14SA0481KB
- M19 - DZ14SA0491KA
- M20 - DZ14SA0491KB
- M21 - DZ14SA0491KC
- M22 - DZ14SA0601KA
- M23 - DZ14SA0601KB

Top Panel and Louver/Condenser Assembly

TOP PANEL ASSEMBLY

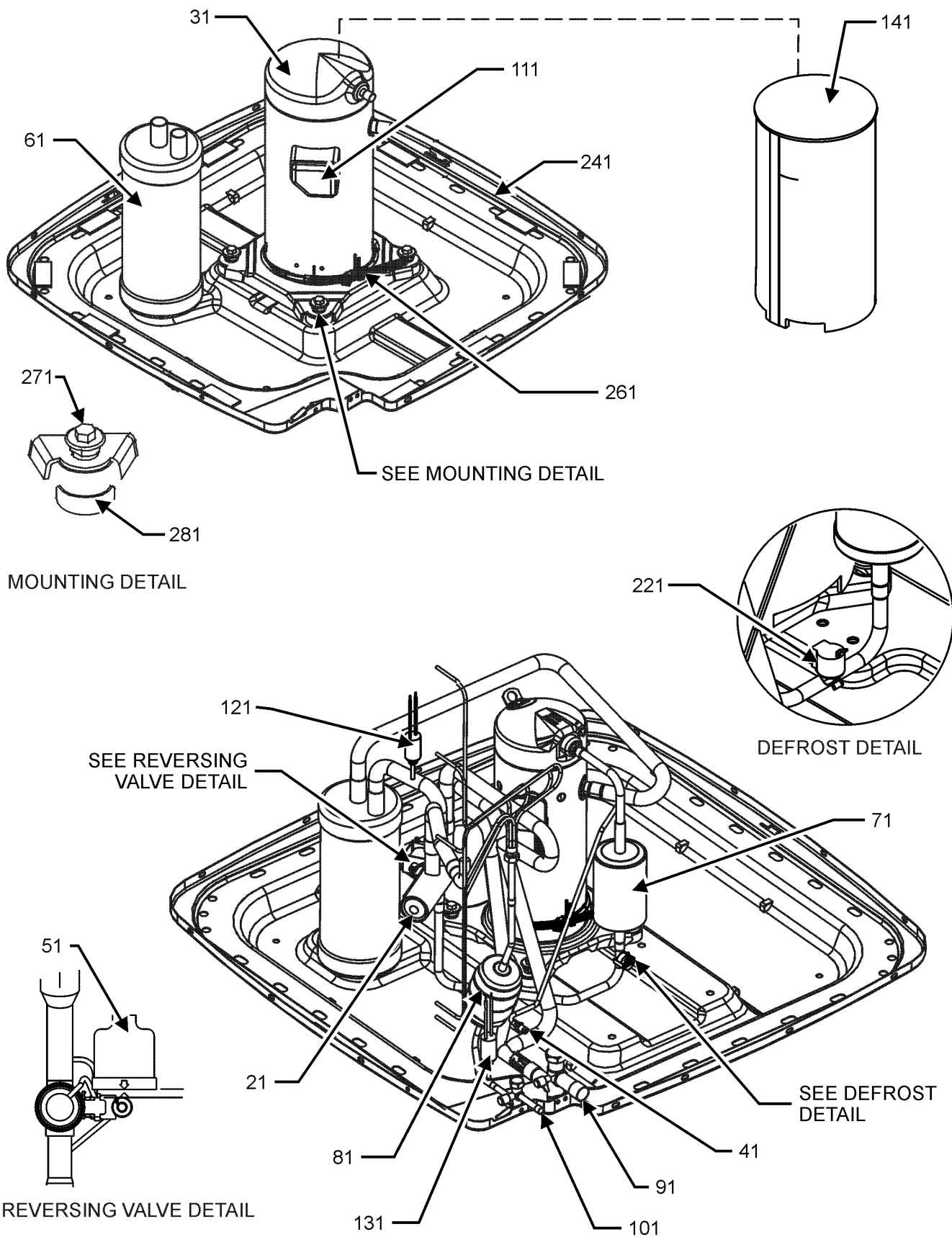


LOUVER PANEL AND CONDENSER COIL ASSEMBLY

Top Panel and Louver/Condenser Assembly

Ref. Part No:	Description:	Ref. Part No:	Description:
Image 1:		Image 1:	
11	0121R00576PNG TOP PANEL PAINTED, 29" (M1, M2, M3, M4, M5, M6, M7, M8, M9, M10, M11, M12, M13, M17, M18)	141	0201R00581 COIL TUBING ASSY (M17, M18)
11	0121R00577PNG TOP PANEL PAINTED, 35" (M14, M15, M16, M19, M20, M21, M22, M23)	141	0201R00668 COIL TUBING ASSY (M1, M2, M3, M4)
21	0152R00015 GRILLE, WIRE 29" TOP (M1, M2, M3, M4, M5, M6, M7, M8, M9, M10, M11, M12, M13, M17, M18)	141	0201R00669 COIL TUBING ASSY (M5, M6, M7)
21	0152R00016 GRILLE, WIRE 35" TOP (M14, M15, M16, M19, M20, M21, M22, M23)	141	0201R00670 COIL TUBING ASSY (M8, M9, M10)
31	0131M00061 COND MOTOR 1/4 HP, 1 SP, 8 PL (M14, M17, M18, M19, M22, M23)	141	0201R00671 COIL TUBING ASSY (M11, M12, M13)
31	0131M00060 COND MOTOR 1/6 HP, 1 SP, 8 PL (M1, M2, M5, M6, M8, M9, M11, M12)	181	0130M00250 CONTROL, DEFROST
31	0131M00753 MOTOR, 1/6HP, 1SP, 8PL, AL (M3, M4, M7, M10, M13)	NS	B1789872 FLOW CHECK PISTON KIT (M11, M12, M13)
31	0131M00754 MOTOR, PSC, 1/6HP, 8PL (M15, M16, M20, M21)	NS	B1789851 FLOW CHECK PISTON KIT .051 (M2, M3, M4)
41	M0280801 HEX NUT (QTY 4)	NS	B1789857 FLOW CHECK PISTON KIT .057 (M5, M6, M7)
51	10625738 FAN BLADE 26" ALUM CCW (M14, M15, M16, M19, M20, M21, M22, M23)	NS	B1789865 FLOW CHECK PISTON KIT .065 (M8, M9, M10)
51	B1086764 FAN BLADE TYPE 2 (M1, M2, M3, M4, M5, M6, M7, M8, M9, M10, M11, M12, M13)	NS	B1789878 FLOW CHECK PISTON KIT .078 (M15, M16)
51	B1086765 FAN BLADE TYPE 3 (M17, M18)	NS	B1789880 FLOW CHECK PISTON KIT .080 (M17, M18, M20, M21)
61	0161R00091 CAP, GRILL	NS	B1789888 FLOW CHECK PISTON KIT .088 (M22, M23)
71	0163M00003P SCREW #10 X 1/2, A, SLOT, SR, BLACK (QTY 6)	Expanded Model Nomenclature	
81	0161R00048 MOLDED RING-VENTURI 22 (M1, M2, M3, M4, M5, M6, M7, M8, M9, M10, M11, M12, M13, M17, M18)	M1	DZ14SA0181KA
81	0161R00049 MOLDED RING-VENTURI 26" (M14, M15, M16, M19, M20, M21, M22, M23)	M2	DZ14SA0181KB
91	0161R00002P CONDUIT (M1, M2, M3, M4, M5, M6, M7, M8, M9, M10, M11, M12, M13, M17, M18)	M3	DZ14SA0181KC
91	0161R00004P CONDUIT (M14, M15, M16, M19, M20, M21, M22, M23)	M4	DZ14SA0181KD
101	0154R00006 GASKET, CONTROL PANEL	M5	DZ14SA0241KA
111	0121R00580PNGB PANEL 1, BENT LOUVER 29_34.64 (M1, M2, M3, M4, M5, M6, M7)	M6	DZ14SA0241KB
111	0121R00589PNGB PANEL 1, BENT LOUVER 29_36.38 (M8, M9, M10, M11, M12, M13, M17, M18)	M7	DZ14SA0241KC
111	0121R00598PNGB PANEL 1, BENT LOUVER 29_36.38 (M19, M20, M21, M22, M23)	M8	DZ14SA0301KA
111	0121R00601PNGB PANEL 1, BENT LOUVER 29_36.38 (M14, M15, M16)	M9	DZ14SA0301KB
121	0121R00581PNGB PANEL 2, BENT LOUVER 29_34.64 (M1, M2, M3, M4, M5, M6, M7)	M10	DZ14SA0301KC
121	0121R00599PNGB PANEL 2, BENT LOUVER 29_34.64 (M19, M20, M21, M22, M23)	M11	DZ14SA0361KA
121	0121R00514PNGB PANEL 2, BENT LOUVER 29_36.38 (M14, M15, M16)	M12	DZ14SA0361KB
121	0121R00590PNGB PANEL 2, BENT LOUVER 29_36.38 (M8, M9, M10, M11, M12, M13, M17, M18)	M13	DZ14SA0361KC
131	0121R00582PNG PANEL 3, LOUVER 29_34.64 PNT (M1, M2, M3, M4, M5, M6, M7)	M14	DZ14SA0421KA
131	0121R00600PNG PANEL 3, LOUVER 29_34.64 PNT (M19, M20, M21, M22, M23)	M15	DZ14SA0421KB
131	0121R00591PNG PANEL 3, LOUVER 29_36.38 PNT (M8, M9, M10, M11, M12, M13, M17, M18)	M16	DZ14SA0421KC
131	0121R00603PNG PANEL 3, LOUVER 29_36.38 PNT (M14, M15, M16)	M17	DZ14SA0481KA
141	0201R00515 COIL TUBING ASSY (M14, M15, M16)	M18	DZ14SA0481KB
141	0201R00567 COIL TUBING ASSY (M19, M20, M21, M22, M23)	M19	DZ14SA0491KA
		M20	DZ14SA0491KB
		M21	DZ14SA0491KC
		M22	DZ14SA0601KA
		M23	DZ14SA0601KB

Base Pan and Tubing Assembly



Base Pan and Tubing Assembly

Ref. Part No: No:	Description:	Ref. Part No: No:	Description:
Image 1:		Expanded Model Nomenclature	
21	0151R00068 REVERSING VALVE (M1, M2, M3, M4, M5, M6, M7)	M1 -	DZ14SA0181KA
21	0151R00069 REVERSING VALVE (M8, M9, M10, M11, M12, M13)	M2 -	DZ14SA0181KB
21	0151R00071 REVERSING VALVE (M14, M15, M16, M17, M18, M19, M20, M21, M22, M23)	M3 -	DZ14SA0181KC
31	ZP14K6EPFV130 COMP, 14,000,208/230/60/1 (M1, M2, M3, M4)	M4 -	DZ14SA0181KD
31	ZP20K6EPFV130 COMP, 20,000,208/230/60/1 (M5, M6, M7)	M5 -	DZ14SA0241KA
31	ZP34K6EPFV130 COMP, 46500, 208/230/60/1 (M14, M15, M16)	M6 -	DZ14SA0241KB
31	ZP40K6EPFV130 COMP, 53700, 208/230/60/1 (M17, M18)	M7 -	DZ14SA0241KC
31	ZP25K6EPFV130 COMP,34200,208/230/60/1 (M8, M9, M10)	M8 -	DZ14SA0301KA
31	ZP31K6EPFV130 COMP,42500,208/230/60/1 (M11, M12, M13)	M9 -	DZ14SA0301KB
31	ZP39K5EPFV130 COMPRESSOR 39000, 208/230/60/1 (M19, M20, M21)	M10 -	DZ14SA0301KC
31	ZP51K5EPFV130 COMPRESSOR 51000, 208/230/60/1 (M22, M23)	M11 -	DZ14SA0361KA
41	B1787000 VALVE CORE	M12 -	DZ14SA0361KB
51	0130M00083 REVERSING VALVE HARNESS (M1, M2, M3, M4, M5, M6, M7, M8, M9, M10, M11, M12, M13, M17, M18, M19, M20, M21, M22, M23)	M13 -	DZ14SA0361KC
51	0130M00350 REVERSING VALVE HARNESS (M14, M15, M16)	M14 -	DZ14SA0421KA
61	0151L00008 ACCUMULATOR (M11, M12, M13)	M15 -	DZ14SA0421KB
61	0151R00004P ACCUMULATOR .750 (M1, M2, M3, M4, M5, M6, M7, M8, M9, M10)	M16 -	DZ14SA0421KC
61	B1226207 ACCUMULATOR .875 (M14, M15, M16, M17, M18, M19, M20, M21, M22, M23)	M17 -	DZ14SA0481KA
71	0162R00007 MUFFLER 1/2 X 1/2	M18 -	DZ14SA0481KB
81	20485201 BI-FLOW FILTER DRIER	M19 -	DZ14SA0491KA
91	0151R00079 BASE VALVE 3/4" (M1, M2, M3, M4, M5, M6, M7, M8, M9, M10, M11, M12, M13)	M20 -	DZ14SA0491KB
91	0151R00080 BASE VALVE 7/8" (M14, M15, M16, M17, M18, M19, M20, M21, M22, M23)	M21 -	DZ14SA0491KC
101	0151R00167 BASE VALVE 3/8"	M22 -	DZ14SA0601KA
111	0159R00001P COMPRESSOR SCROLL HARNESS (M1, M2, M3, M4, M5, M6, M7, M8, M9, M10, M11, M12, M13, M17, M18)	M23 -	DZ14SA0601KB
111	0159R00002P COMPRESSOR SCROLL HARNESS (M14, M15, M16, M19, M20, M21, M22, M23)		
121	0130M00088 CUT-OUT SWITCH, LOW PRESSURE		
131	0130R00003 CUT-OUT SWITCH, HIGH PRESSURE		
141	B1488807 COMPRESSOR SOUND BLANKET (M14, M15, M16, M17, M18, M19, M20, M21, M22, M23)		
141	B1488810 COMPRESSOR SOUND BLANKET (M1, M2, M3, M4, M5, M6, M7, M8, M9, M10, M11, M12, M13)		
221	0130M00106 DISC THERMOSTAT(CRNKCS HTR SW)		
241	0121R00006PNG BASE PAN 29" (M1, M2, M3, M4, M5, M6, M7, M8, M9, M10, M11, M12, M13, M17, M18)		
241	0121R00007PNG BASE PAN, 35.5" PNT (M14, M15, M16, M19, M20, M21, M22, M23)		
261	0163R00006 HEATER, CRANKCASE 230V, 40W (M1, M2, M3, M4, M5, M6, M7, M8, M9, M10, M11, M12, M13)		
261	0163R00007 HEATER, CRANKCASE 230V, 40W (M14, M15, M16, M17, M18, M19, M20, M21, M22, M23)		
271	M0221641 TF SHOULDER SCREW (QTY 4)		
281	B1339533 COMPRESSOR GROMMET (QTY 4)		
NS	0163M00175 CAP WITH O-RING		
NS	B1225022 SOLENOID COIL		