

DZ13SA Remote Heat Pump

DZ13SA0181AC
DZ13SA0241AC
DZ13SA0301AC
DZ13SA0421AD
DZ13SA0481AC
DZ13SA0601AB



This manual is to be used by qualified technicians only.

This manual replaces RP-D4318A.

© 2016 - 2018 **DAIKIN MANUFACTURING COMPANY, L.P.** ◇ 5151 San Felipe St., Suite 500 ◇ Houston, TX 77056

Important Information

Index

| | |
|------------------------------|-------|
| Functional Parts List | 3 |
| Illustration and Parts | 4 - 9 |

Views shown are for parts illustrations only, not servicing procedures

Text Codes:

AR - As Required

NA - Not Available

NS - Not Shown

00000000 - See Note

QTY - Quantity Example (QTY 3) (If Quantity not shown, Quantity = 1)

M - Model Example (M1) (If M Code not shown, then part is used on all Models)

Expanded Model Nomenclature:

| |
|---|
| Example M1 - Model#1 M2 - Model#2 M3 - Model#3 |
|---|

Daikin Manufacturing Company, L.P. is not responsible for personal injury or property damage resulting from improper service. Review all service information before beginning repairs.

Warranty service must be performed by an authorized technician, using authorized factory parts. If service is required after the warranty expires, Daikin Manufacturing Company, L.P. also recommends contacting an authorized technician and using authorized factory parts.

Daikin Manufacturing Company, L.P. reserves the right to discontinue, or change at any time, specifications or designs without notice or without incurring obligations.

For assistance within the U.S.A. contact:

Homeowner Support
Daikin North America, LLC
19001 Kermier Road
Waller, Texas 77484
855-770-5678-Telephone
713-863-2382-Facsimile

For assistance outside the U.S.A. contact:

International Division
Daikin North America, LLC
19001 Kermier Road
Waller, Texas 77484
713-861-2500-Telephone
713-863-2382-Facsimile

Functional Parts

Part

No: Description:

| | |
|----------------|--|
| 0131M00811 | 1/8 HP 8 PL PSC MOTOR (M1, M2, M3) |
| B1226206 | ACCUMULATOR (M1, M2, M3) |
| B1226207 | ACCUMULATOR .875 (M4, M5, M6) |
| 0151R00079 | BASE VALVE 3/4" (M1, M2, M3) |
| 0151R00079 | BASE VALVE 3/4" (M1, M2, M3) |
| 0151R00167 | BASE VALVE 3/8" |
| 0151R00080 | BASE VALVE 7/8" (M4, M5, M6) |
| 0151R00080 | BASE VALVE 7/8" (M4, M5, M6) |
| CAP050300440CS | CAP,5/30MFD/440V/DUAL RD (M1) |
| CAP050400440CT | CAPACITOR 5/40/440V/DUAL RD (M2, M3) |
| CAP050450440CT | CAPACITOR 5/45/440V/DUAL RD (M4, M5) |
| CAP050700440CT | CAPACITOR 5/70/440V/DUAL RD (M6) |
| ZP16K5EPFV130 | COMPRESSOR 15500, 208/230/60/1 (M1) |
| ZP21K5EPFV130 | COMPRESSOR 21300, 208/230/60/1 (M2) |
| ZP25K5EPFV130 | COMPRESSOR 25200, 208/230/60/1 (M3) |
| ZP34K5EPFV130 | COMPRESSOR 34500, 208/230/60/1 (M4) |
| ZP39K5EPFV130 | COMPRESSOR 39000, 208/230/60/1 (M5) |
| ZP51K5EPFV130 | COMPRESSOR 51000, 208/230/60/1 (M6) |
| CONT1P025024V | CONTACTOR 25 AMP, 1P, 24V (M1, M2, M3, M4) |
| CONT1P030024V | CONTACTOR 30 AMP, 1P, 24V (M5, M6) |
| 0130M00105 | CONTROL, DEFROST |
| 571006700 | CORE SENSE MODULE |
| 0130R00003 | CUT-OUT SWITCH, HIGH PRESSURE |
| 0130M00088 | CUT-OUT SWITCH, LOW PRESSURE |
| PCBDM133 | DEFROST CONTROL BOARD |
| 0130M00106 | DISC THERMOSTAT CRNKCS HTR SW |
| 0163R00006 | HEATER, CRANKCASE 230V, 40W (M1, M2, M3) |
| 0163R00007 | HEATER, CRANKCASE 230V, 40W (M4, M5, M6) |
| 0131M00807 | MOTOR, 1/4HP,1SP,8PL,AL (M5, M6) |
| 0131M00753 | MOTOR, 1/6HP, 1SP, 8PL, AL (M4) |
| 0151R00071 | REVERSING VALVE (M4) |
| 0151R00070 | REVERSING VALVE (M5) |
| 0151R00068 | REVERSING VALVE (M1, M2, M3) |
| 0151M00020 | REVERSING VALVE (M6) |

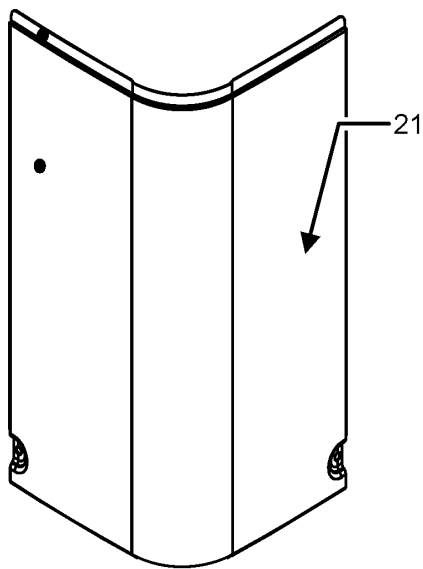
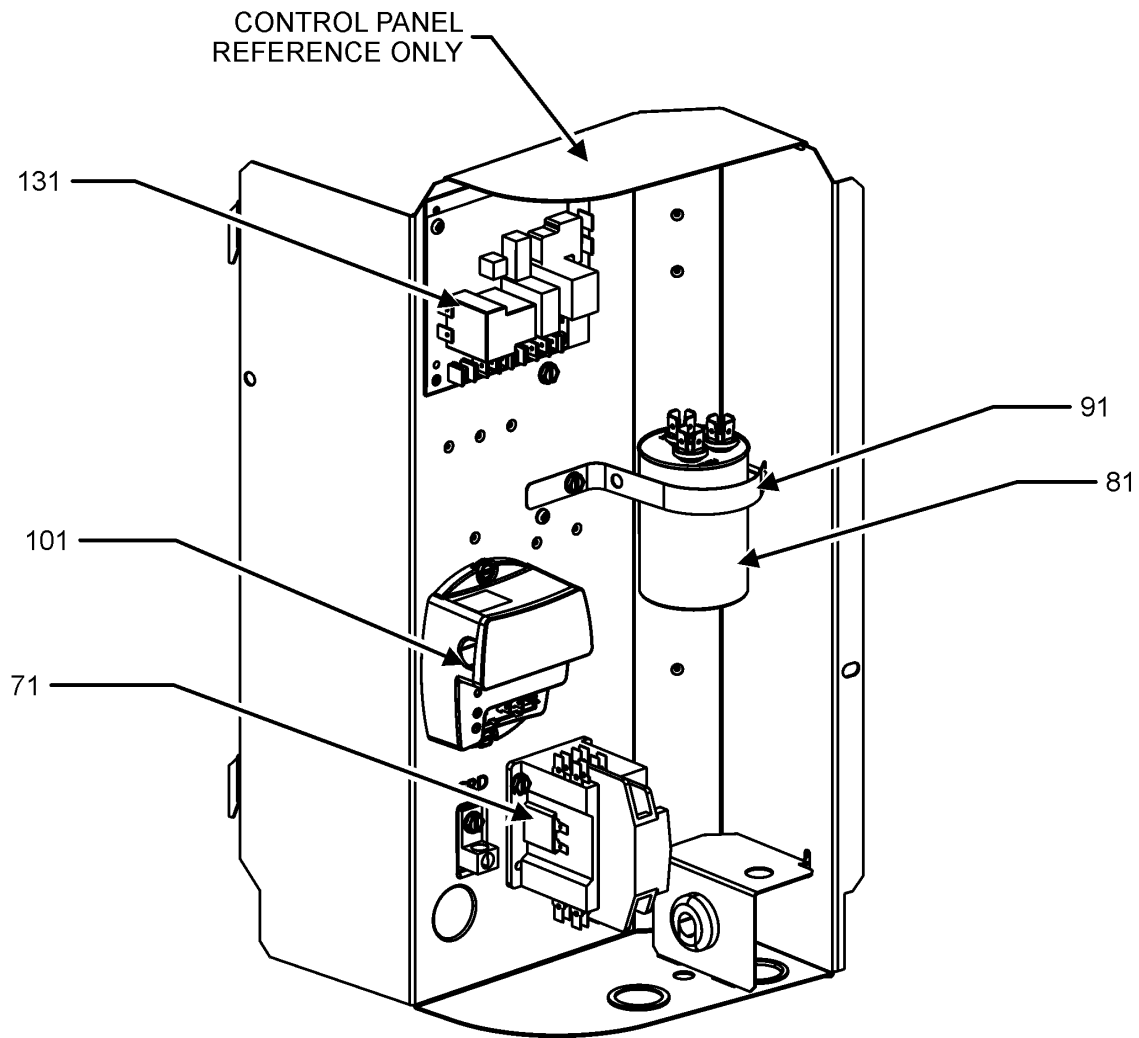
SPECIAL PARTS

| | |
|------------|-------------------|
| 0161R00091 | CAP, GRILL |
| 0161R00089 | NAMEPLATE, DAIKIN |

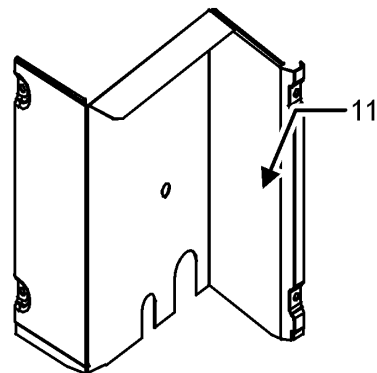
Expanded Model Nomenclature

| |
|-------------------|
| M1 - DZ13SA0181AC |
| M2 - DZ13SA0241AC |
| M3 - DZ13SA0301AC |
| M4 - DZ13SA0421AD |
| M5 - DZ13SA0481AC |
| M6 - DZ13SA0601AB |

Control Panel Assembly



UPPER ACCESS COVER



LOWER ACCESS COVER

Control Panel Assembly

| Ref. Part No: No: | Description: | Ref. Part No: No: | Description: |
|-------------------|--------------|-------------------|--------------|
|-------------------|--------------|-------------------|--------------|

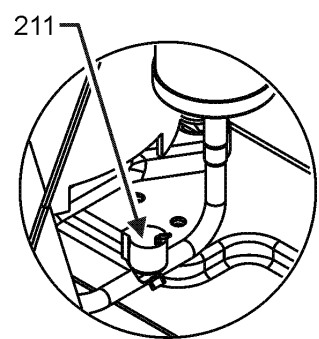
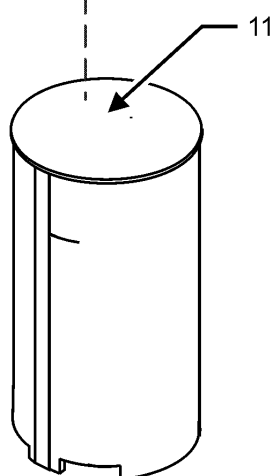
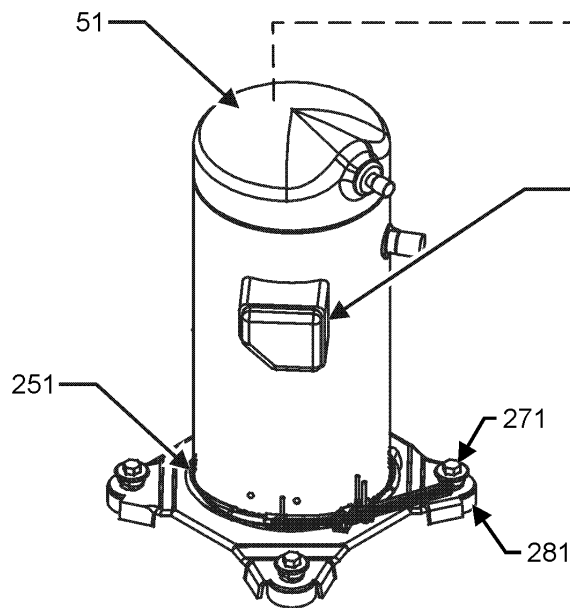
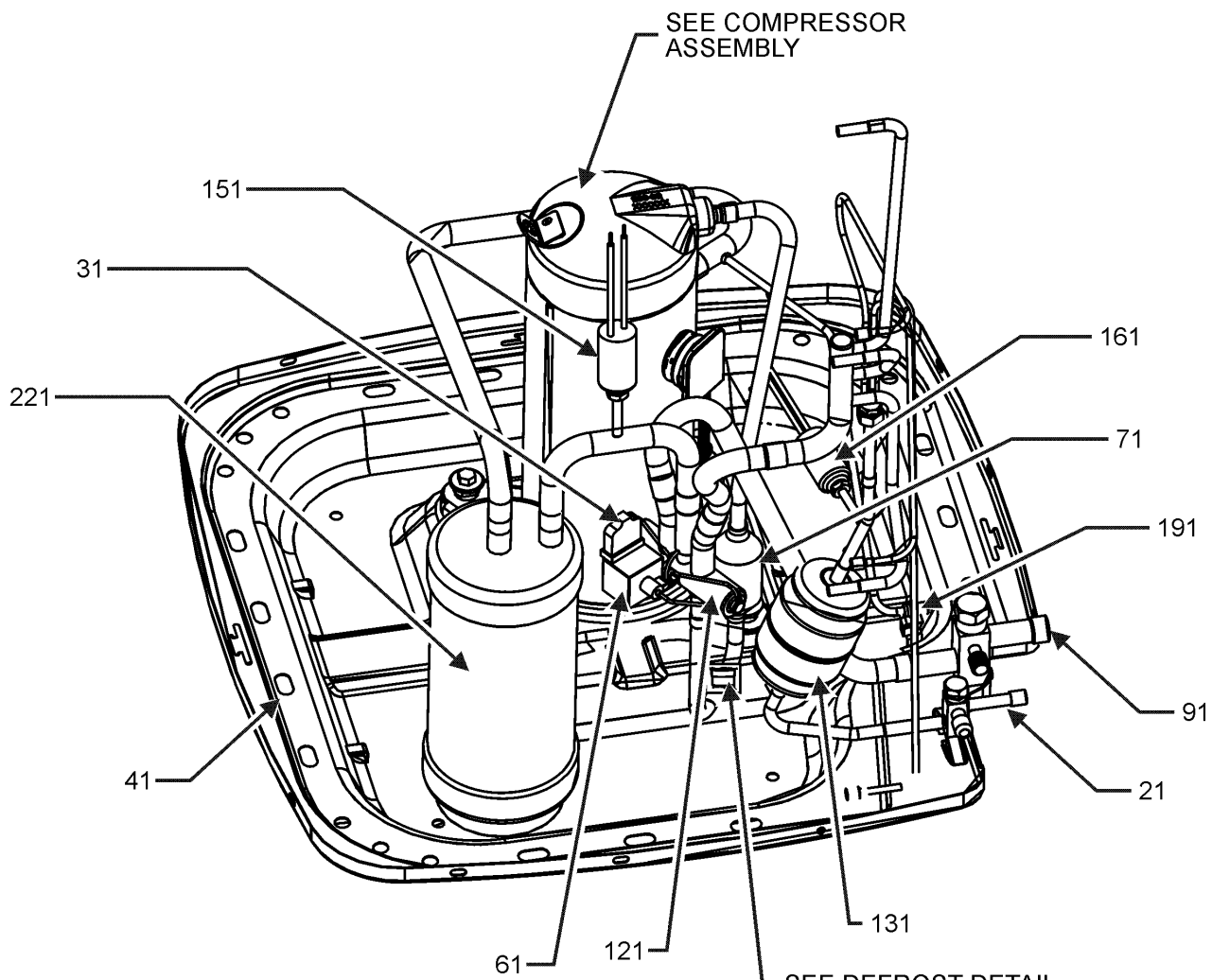
Image 1:

| | | |
|-----|----------------|--|
| 11 | 0121R00321PNG | LOWER ACCESS PANEL (M5, M6) |
| 11 | 0121R00663PNG | LOWER ACCESS PANEL (M1, M2, M3) |
| 11 | 0121R00318PNG | LOWER ACCESS PNT (M4) |
| 21 | 0121R00053PNG | CONTROL COVER |
| 71 | CONT1P025024V | CONTACTOR 25 AMP, 1P, 24V (M1, M2, M3, M4) |
| 71 | CONT1P030024V | CONTACTOR 30 AMP, 1P, 24V (M5, M6) |
| 81 | CAP050300440CS | CAP.5/30MFD/440V/DUAL RD (M1) |
| 81 | CAP050400440CT | CAPACITOR 5/40/440V/DUAL RD (M2, M3) |
| 81 | CAP050450440CT | CAPACITOR 5/45/440V/DUAL RD (M4, M5) |
| 81 | CAP050700440CT | CAPACITOR 5/70/440V/DUAL RD (M6) |
| 91 | 4400065 | CAPACITOR STRAP |
| 101 | 571006700 | CORE SENSE MODULE |
| 131 | PCBDM133 | DEFROST CONTROL BOARD |
| NS | 0161R00089 | NAMEPLATE, DAIKIN |

Expanded Model Nomenclature

| |
|-------------------|
| M1 - DZ13SA0181AC |
| M2 - DZ13SA0241AC |
| M3 - DZ13SA0301AC |
| M4 - DZ13SA0421AD |
| M5 - DZ13SA0481AC |
| M6 - DZ13SA0601AB |

Compressor and Tubing Assembly



DEFROST DETAIL

COMPRESSOR ASSEMBLY

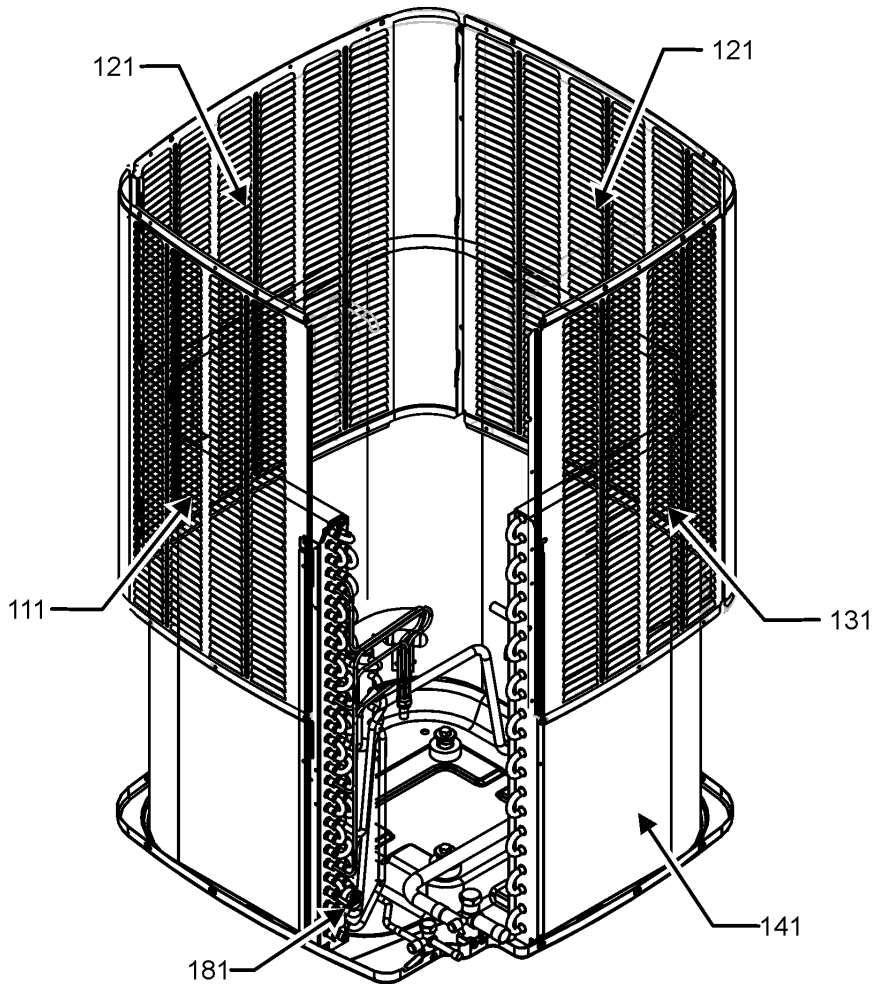
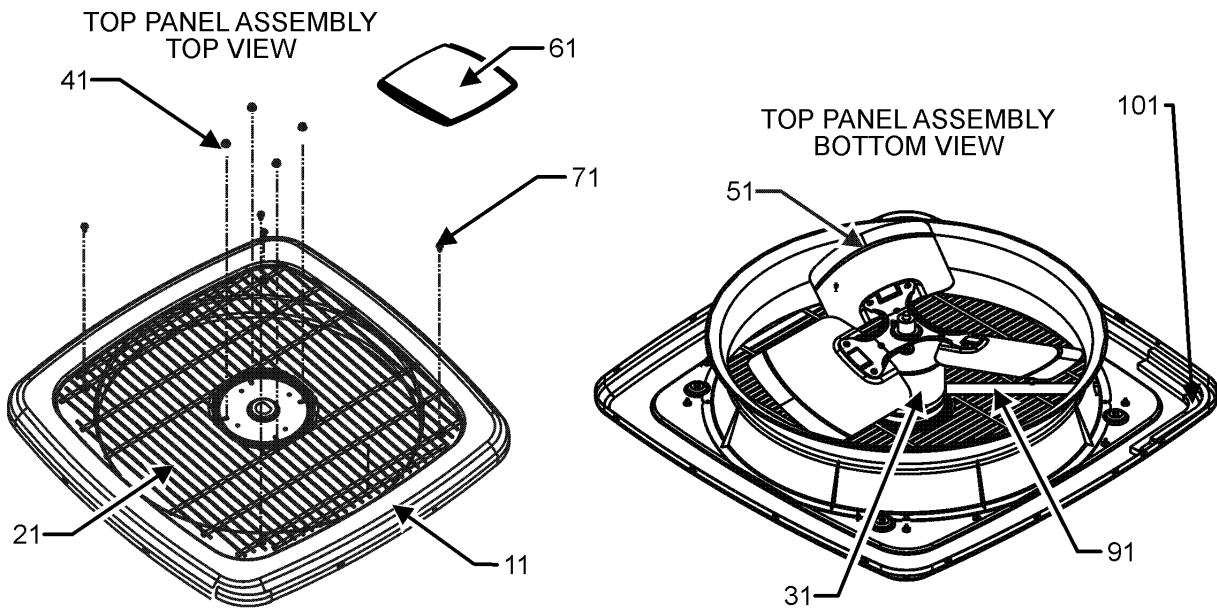
Compressor and Tubing Assembly

| Ref. Part No: No: | Description: | Ref. Part No: No: | Description: |
|-------------------|---------------|-------------------|--|
| Image 1: | | | |
| 11 | B1488806 | | COMPRESSOR SOUND BLANKET (M6) |
| 11 | B1488807 | | COMPRESSOR SOUND BLANKET (M4, M5) |
| 11 | B1488810 | | COMPRESSOR SOUND BLANKET (M1, M2, M3) |
| 21 | 0151R00079 | | BASE VALVE 3/4" (M1, M2, M3) |
| 21 | 0151R00167 | | BASE VALVE 3/8" |
| 21 | 0151R00080 | | BASE VALVE 7/8" (M4, M5, M6) |
| 31 | 0130M00083 | | SOLENOID HARNESS W/1/4" TERM |
| 41 | 0121R00005PNG | | BASE PAN, 26" PNT (M1, M2, M3) |
| 41 | 0121R00006PNG | | BASE PAN, 29" PNT (M4, M5) |
| 41 | 0121R00007PNG | | BASE PAN, 35.5" PNT (M6) |
| 51 | ZP16K5EPFV130 | | COMPRESSOR 15500, 208/230/60/1 (M1) |
| 51 | ZP21K5EPFV130 | | COMPRESSOR 21300, 208/230/60/1 (M2) |
| 51 | ZP25K5EPFV130 | | COMPRESSOR 25200, 208/230/60/1 (M3) |
| 51 | ZP34K5EPFV130 | | COMPRESSOR 34500, 208/230/60/1 (M4) |
| 51 | ZP39K5EPFV130 | | COMPRESSOR 39000, 208/230/60/1 (M5) |
| 51 | ZP51K5EPFV130 | | COMPRESSOR 51000, 208/230/60/1 (M6) |
| 61 | B1225022 | | SOLENOID COIL |
| 71 | 0162R00007 | | MUFFLER 1/2 X 1/2 |
| 91 | 0151R00079 | | BASE VALVE 3/4" (M1, M2, M3) |
| 91 | 0151R00080 | | BASE VALVE 7/8" (M4, M5, M6) |
| 111 | 0159R00000P | | COMPRESSOR SCROLL HARNESS (M1, M2, M3) |
| 111 | 0159R00001P | | COMPRESSOR SCROLL HARNESS (M4, M5) |
| 111 | 0159R00002P | | COMPRESSOR SCROLL HARNESS (M6) |
| 121 | 0151M00020 | | REVERSING VALVE (M6) |
| 121 | 0151R00068 | | REVERSING VALVE (M1, M2, M3) |
| 121 | 0151R00070 | | REVERSING VALVE (M5) |
| 121 | 0151R00071 | | REVERSING VALVE (M4) |
| 131 | 20485201 | | BI-FLOW FILTER DRIER |
| 151 | 0130M00088 | | CUT-OUT SWITCH, LOW PRESSURE |
| 161 | 0130R00003 | | CUT-OUT SWITCH, HIGH PRESSURE |
| 191 | B1787000 | | VALVE CORE |
| 211 | 0130M00106 | | DISC THERMOSTAT CRNKCS HTR SW |
| 221 | B1226206 | | ACCUMULATOR (M1, M2, M3) |
| 221 | B1226207 | | ACCUMULATOR .875 (M4, M5, M6) |
| 251 | 0163R00006 | | HEATER, CRANKCASE 230V, 40W (M1, M2, M3) |
| 251 | 0163R00007 | | HEATER, CRANKCASE 230V, 40W (M4, M5, M6) |
| 271 | M0221641 | | TF SHOULDER SCREW (QTY 4) |
| 281 | B1339533 | | COMPRESSOR GROMMET (QTY 4) |

Expanded Model Nomenclature

| |
|-------------------|
| M1 - DZ13SA0181AC |
| M2 - DZ13SA0241AC |
| M3 - DZ13SA0301AC |
| M4 - DZ13SA0421AD |
| M5 - DZ13SA0481AC |
| M6 - DZ13SA0601AB |

Top and Louver Panel Assembly



LOUVER PANEL ASSEMBLY

Top and Louver Panel Assembly

| Ref. Part No: | Ref. Part No: | Description: | Description: |
|-----------------|---------------|---|--------------|
| Image 1: | | | |
| 11 | 0121R00009PNG | PANEL, VENTURI 26" PNT (M1, M2, M3) | |
| 11 | 0121R00011PNG | PANEL, VENTURI 29" PNT (M4, M5) | |
| 11 | 0121R00013PNG | PANEL, VENTURI 35" PNT (M6) | |
| 21 | 0152R00010 | GRILLE, WIRE 26" TOP (M1, M2, M3) | |
| 21 | 0152R00015 | GRILLE, WIRE 29" TOP (M4, M5) | |
| 21 | 0152R00016 | GRILLE, WIRE 35" TOP (M6) | |
| 31 | 0131M00811 | 1/8 HP 8 PL PSC MOTOR (M1, M2, M3) | |
| 31 | 0131M00807 | MOTOR, 1/4HP,1SP,8PL,AL (M5, M6) | |
| 31 | 0131M00753 | MOTOR, 1/6HP, 1SP, 8PL, AL (M4) | |
| 41 | M0280801 | HEX NUT (QTY 4) | |
| 51 | 0150M00018 | FAN BLADE 20" (M1, M2) | |
| 51 | 0150M00012 | FAN BLADE 20" CCW (M3) | |
| 51 | 0150M00008 | FAN BLADE 22" TNT2203-25 (M4) | |
| 51 | 0150M00013 | FAN BLADE 26" CCW (M6) | |
| 51 | B1086765 | FAN BLADE TYPE 3 (M5) | |
| 61 | 0161R00091 | CAP, GRILL | |
| 71 | 0163M00003P | SCREW #10 X 1/2, A, SLOT, SR, BLACK (QTY 6) | |
| 91 | 0161R00000P | CONDUIT (M1, M2, M3) | |
| 91 | 0161R00002P | CONDUIT (M4, M5) | |
| 91 | 0161R00004P | CONDUIT (M6) | |
| 101 | 0154R00006 | GASKET, CONTROL PANEL | |
| 111 | 4400402PNG | PANEL 1,LOUVER 26_30 HRZ PNT (M1, M2, M3) | |
| 111 | 4400457PNG | PANEL 1,LOUVER 29_32 HRZ PNT (M5) | |
| 111 | 4400458PNG | PANEL 1,LOUVER 29_36 HRZ PNT (M4) | |
| 111 | 4400463PNG | PANEL 1,LOUVER 35_32 HRZ PNT (M6) | |
| 121 | 4400407PNG | PANEL 2,LOUVER 26_30 HRZ PNT (M1, M2, M3) | |
| 121 | 4400459PNG | PANEL 2,LOUVER 29_32 HRZ PNT (M5) | |
| 121 | 4400460PNG | PANEL 2,LOUVER 29_36 HRZ PNT (M4) | |
| 121 | 4400465PNG | PANEL 2,LOUVER 35_32 HRZ PNT (M6) | |
| 131 | 4400461PNG | PANEL 3, LOUVER 29_32 HRZ (M5) | |
| 131 | 4400462PNG | PANEL 3, LOUVER 29_36 HRZ (M4) | |
| 131 | 4400412PNG | PANEL 3,LOUVER 26_30 HRZ PNT (M1, M2, M3) | |
| 131 | 4400467PNG | PANEL 3,LOUVER 35_32 HRZ PNT (M6) | |
| 141 | 0201R00325 | ASSY, COIL TBG (M3) | |
| 141 | 0201R00324 | ASSY, COIL TBG 30 X S 3CR 1CTC (M2) | |
| 141 | 0201R00150S | TUBING ASSY, COND COIL (M1) | |
| 141 | 0201R00152S | TUBING ASSY, COND COIL (M4) | |
| 141 | 0201R00154S | TUBING ASSY, COND COIL (M5) | |
| 141 | 0201R00155S | TUBING ASSY, COND COIL (M6) | |
| 181 | 0130M00105 | CONTROL, DEFROST | |
| NS | B1789872 | FLOW CHECK PISTON KIT (M4) | |
| NS | B1789851 | FLOW CHECK PISTON KIT .051 (M1) | |
| NS | B1789857 | FLOW CHECK PISTON KIT .057 (M2) | |
| NS | B1789865 | FLOW CHECK PISTON KIT .065 (M3) | |
| NS | B1789878 | FLOW CHECK PISTON KIT .078 (M5) | |
| NS | B1789888 | FLOW CHECK PISTON KIT .088 (M6) | |

Expanded Model Nomenclature

| |
|-------------------|
| M1 - DZ13SA0181AC |
| M2 - DZ13SA0241AC |
| M3 - DZ13SA0301AC |
| M4 - DZ13SA0421AD |
| M5 - DZ13SA0481AC |
| M6 - DZ13SA0601AB |