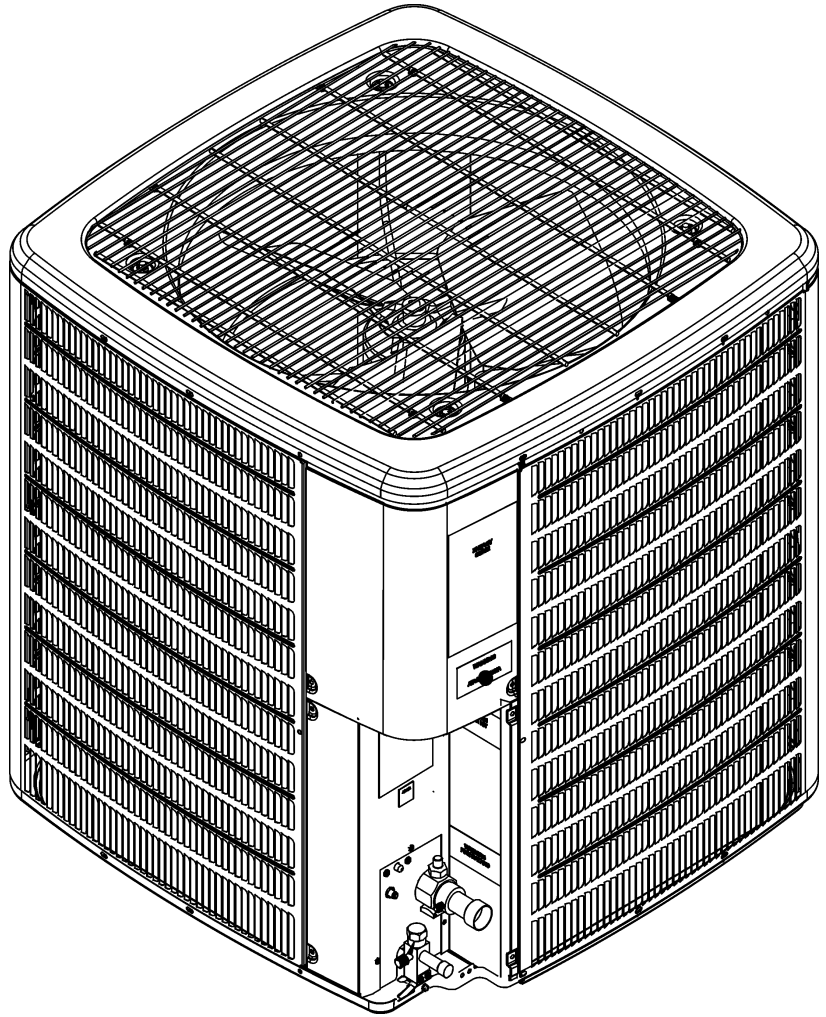


DZ11SA 3-Phase Remote Heat Pump

DZ11SA0903AB
DZ11SA0903AC
DZ11SA0904AB
DZ11SA0904AC
DZ11SA1203AB
DZ11SA1203AC
DZ11SA1204AB
DZ11SA1204AC



This manual is to be used by qualified technicians only.

This manual replaces RP-D4308.

© 2016 - 2017 **DAIKIN MANUFACTURING COMPANY, L.P.** ♦ 5151 San Felipe St., Suite 500 ♦ Houston, TX 77056

Important Information

Index

Functional Parts List	3
Illustration and Parts	4 - 9

Views shown are for parts illustrations only, not servicing procedures.

Text Codes:

AR - As Required

NA - Not Available

NS - Not Shown

00000000 - See Note

QTY - Quantity Example (QTY 3) (If Quantity not shown, Quantity = 1)

M - Model Example (M1) (If M Code not shown, then part is used on all Models)

Expanded Model Nomenclature:

Example
M1 - Model#1
M2 - Model#2
M3 - Model#3

Daikin Manufacturing Company, L.P. is not responsible for personal injury or property damage resulting from improper service. Review all service information before beginning repairs.

Warranty service must be performed by an authorized technician, using authorized factory parts. If service is required after the warranty expires, Daikin Manufacturing Company, L.P. also recommends contacting an authorized technician and using authorized factory parts.

Daikin Manufacturing Company, L.P. reserves the right to discontinue, or change at any time, specifications or designs without notice or without incurring obligations.

For assistance within the U.S.A. contact:

Equipment Support
Daikin North America, LLC
19001 Kermier Road
Waller, Texas 77484
855-770-5678-Telephone
713-863-2382-Facsimile

For assistance outside the U.S.A. contact:

International Division
Daikin North America, LLC
19001 Kermier Road
Waller, Texas 77484
713-861-2500-Telephone
713-863-2382-Facsimile

Functional Parts

Part

No: Description:

0130M00025	24V RELAY
CAP200000440CP	CAP, 20 MFD/440V/ RD
ZP103KCETF5155	COMP, 105,000, 200/230/60/3 (M5, M6)
ZP103KCETFD250	COMP, 105000, 460/60/3 (M7, M8)
ZP83KCETF5250	COMPRESSOR 83000, 200/230/60/3 (M1, M2)
ZP83KCETFD130	COMPRESSOR 83000, 460/60/3 (M3, M4)
CONT3P040024V	CONTACTOR 40 AMP, 3P, 24V
0130M00105	CONTROL DEFROST
0130L00023	CRANK CASE HEATER 70W 240V (M1, M2)
0130L00024	CRANK CASE HEATER 70W, 480V (M3, M4)
0163R00008	CRANKCASE HEATER, 460V, 90W (M7, M8)
0163R00009	CRANKCASE HEATER, 240V, 90W (M5, M6)
0130M00089	CUT-OUT SWITCH, HIGH PRESSURE
0130M00088	CUT-OUT SWITCH, LOW PRESSURE
PCBDM133	DEFROST CONTROL BOARD
0151R00162	EXPANSION VALVE
0131M00786	MOTOR 1HP 1SP 230V (M1, M2, M5, M6)
0131M00787	MOTOR 1HP 1SP 460V (M3, M4, M7, M8)
B1225022	SOLENOID COIL
0151R00000P	VALVE, REVERSING CPLE120 (M5, M6, M7, M8)
0151R00001P	VALVE, REVERSING CPLE090 (M1, M2, M3, M4)

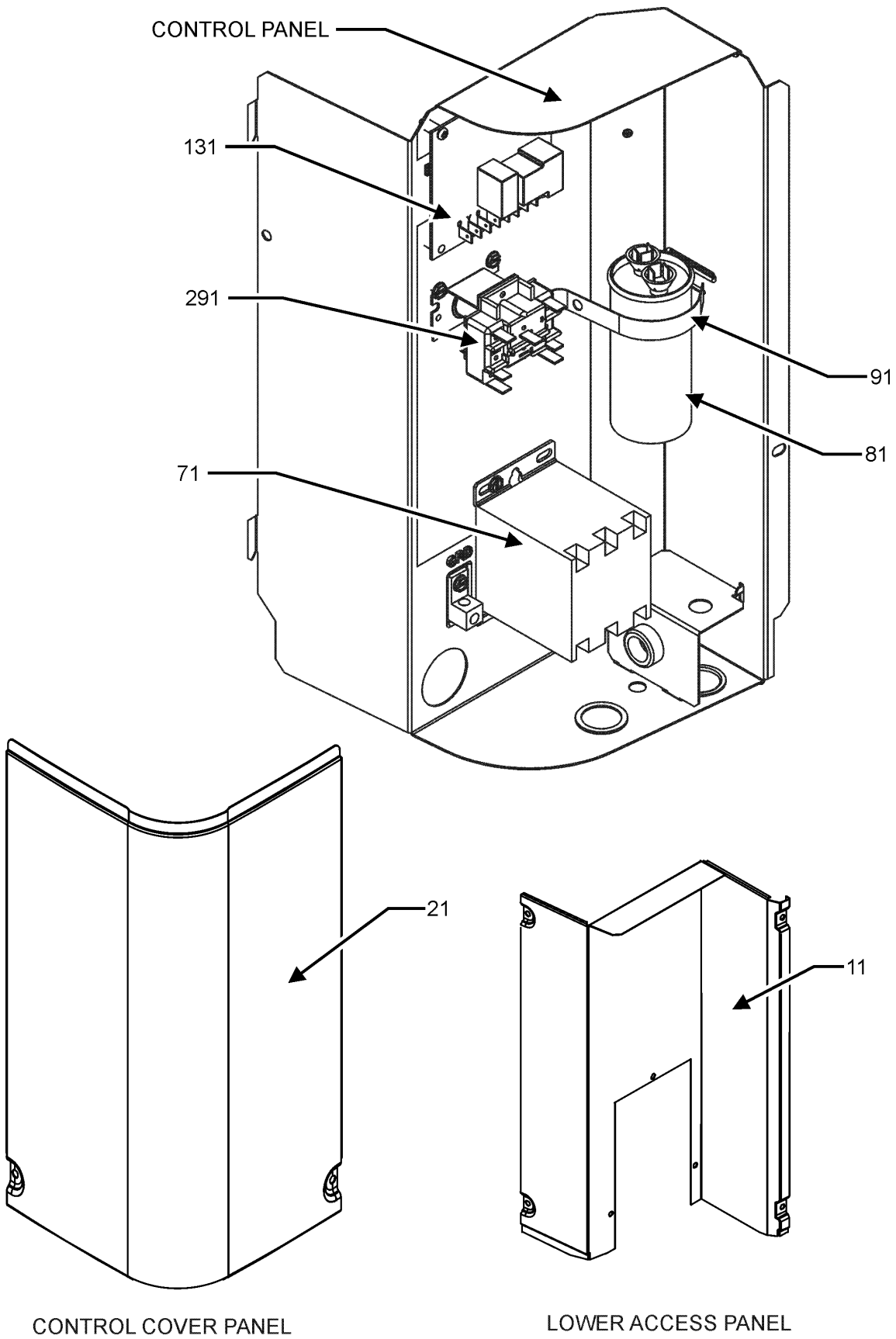
SPECIAL PARTS

0161R00090 NAMEPLATE, DAIKIN

Expanded Model Nomenclature

M1 - DZ11SA0903AB
M2 - DZ11SA0903AC
M3 - DZ11SA0904AB
M4 - DZ11SA0904AC
M5 - DZ11SA1203AB
M6 - DZ11SA1203AC
M7 - DZ11SA1204AB
M8 - DZ11SA1204AC

CONTROL BOX ASSEMBLY



CONTROL BOX ASSEMBLY

Ref. Part No: No:	Description:	Ref. Part No: No:	Description:
-------------------	--------------	-------------------	--------------

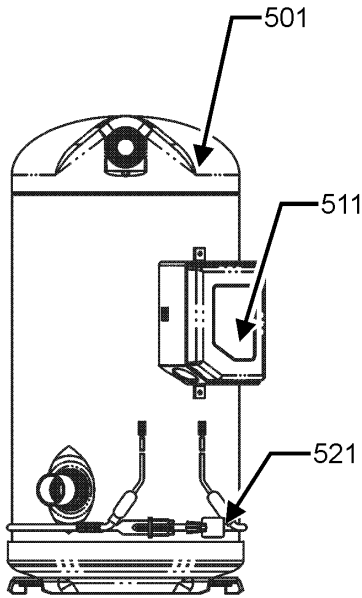
Image 1:

11	0121R00330PNG	LOWER ACCESS PANEL
21	0121R00053PNG	CONTROL COVER
71	CONT3P040024V	CONTACTOR 40 AMP, 3P, 24V
81	CAP200000440CP	CAP, 20 MFD/440V/ RD
91	4400065	CAPACITOR STRAP
131	PCBDM133	DEFROST CONTROL BOARD
291	0130M00025	24V RELAY
NS	0161R00090	NAMEPLATE, DAIKIN
NS	B1372801	SIGHT GLASS CL90/120

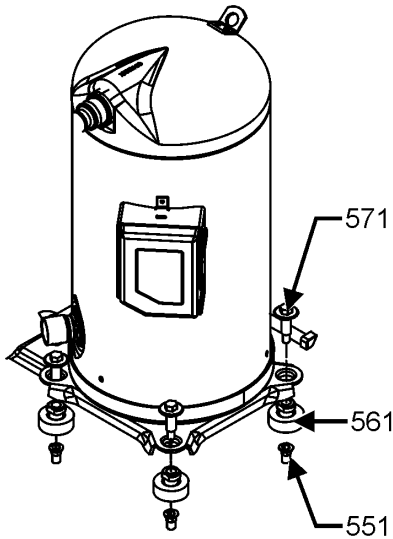
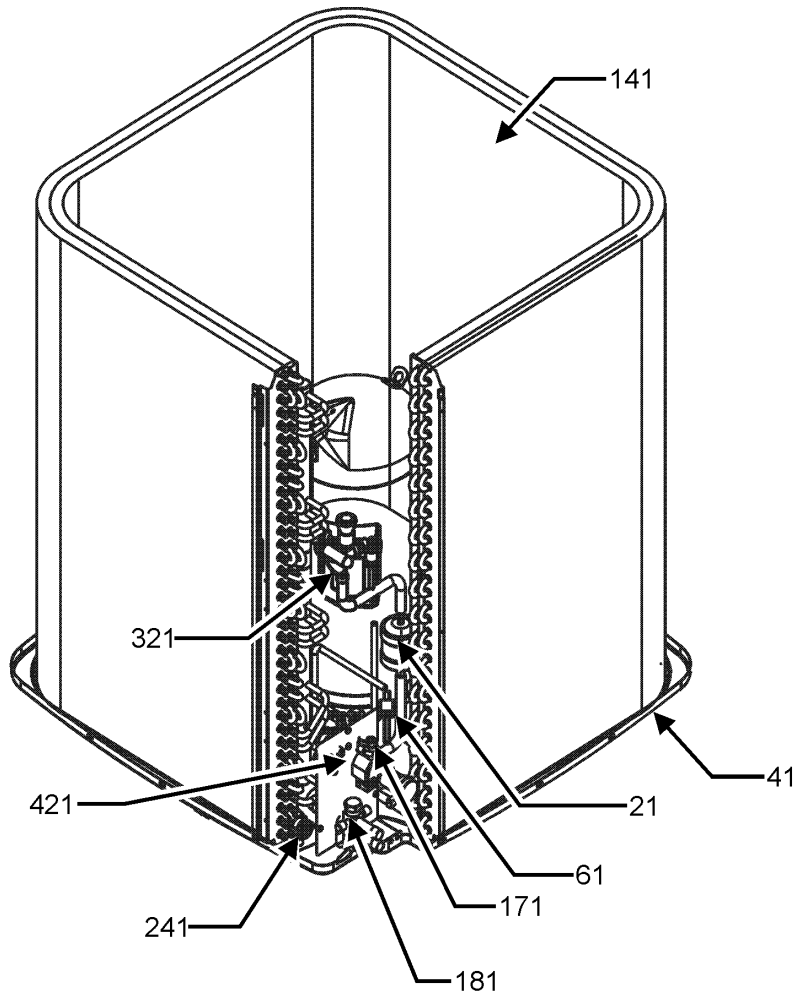
Expanded Model Nomenclature

- M1 - DZ11SA0903AB
- M2 - DZ11SA0903AC
- M3 - DZ11SA0904AB
- M4 - DZ11SA0904AC
- M5 - DZ11SA1203AB
- M6 - DZ11SA1203AC
- M7 - DZ11SA1204AB
- M8 - DZ11SA1204AC

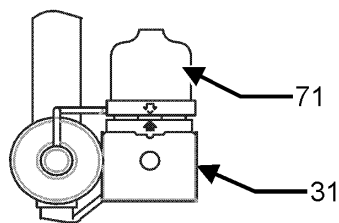
TUBING ASSEMBLY



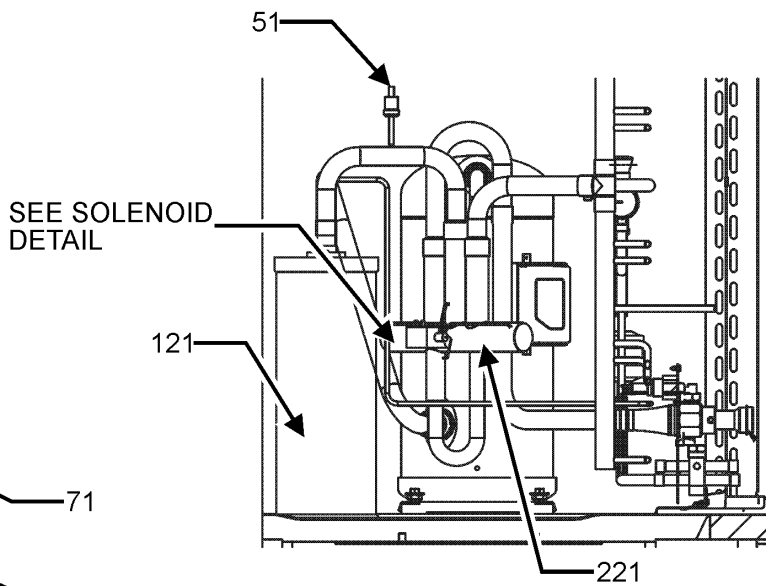
COMPRESSOR DETAIL



COMPRESSOR MOUNTING DETAIL



SOLENOID DETAIL



SIDE VIEW TUBING ASSEMBLY

TUBING ASSEMBLY

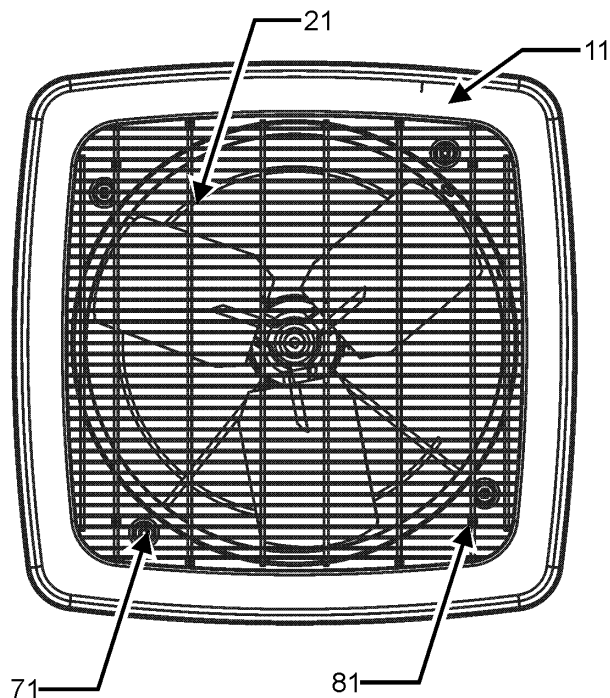
Ref. Part No:	Ref. Part No:	Description:	Description:
Image 1:			
21	B1219227	FILTER DRIER (BI-FLOW)	
31	B1225022	SOLENOID COIL	
41	0121R00007PNG	BASE PAN 35"	
51	0130M00088	CUT-OUT SWITCH, LOW PRESSURE	
61	0130M00089	CUT-OUT SWITCH, HIGH PRESSURE	
71	0130M00083	SOLENOID HARNESS W/1/4" TERM	
121	B1226212	ACCUMULATOR	
141	0201R00378	TUBING ASSY, COND COIL	
171	0151R00030	BALL VALVE	
181	0151R00166	BASE VALVE 5/8"	
221	0151R00000P	VALVE, REVERSING CPLE120 (M5, M6, M7, M8)	
221	0151R00001P	VALVE, REVERSING CPLE090 (M1, M2, M3, M4)	
241	0130M00105	CONTROL DEFROST	
321	0151R00162	EXPANSION VALVE	
421	0121R00300PNG	BALL VALVE MOUNTING PANEL, PNT	
501	ZP103KCETF5155	COMP, 105,000, 200/230/60/3 (M5, M6)	
501	ZP103KCETFD250	COMP, 105000, 460/60/3 (M7, M8)	
501	ZP83KCETF5250	COMPRESSOR 83000, 200/230/60/3 (M1, M2)	
501	ZP83KCETFD130	COMPRESSOR 83000, 460/60/3 (M3, M4)	
511	0159G00003	COMPRESSOR HARNESS (M3, M4)	
511	0159L00053	COMPRESSOR HARNESS (M5, M6)	
521	0130L00023	CRANK CASE HEATER 70W 240V (M1, M2)	
521	0130L00024	CRANK CASE HEATER 70W, 480V (M3, M4)	
521	0163R00008	CRANKCASE HEATER, 460V, 90W (M7, M8)	
521	0163R00009	CRANKCASE HEATER, 240V, 90W (M5, M6)	
551	B1393027	HEX NUT INSERT 5/16-18 (QTY 4)	
561	0164M00018	COMPRESSOR GROMMET (QTY 4)	
571	B1393740	COMPRESSOR BOLT & SLEEVE (QTY 4)	
NS	0163M00087	ACCESS FITTING	
NS	0163M00175	CAP WITH O-RING	
NS	4400031	VALVE BRACKET	
NS	B1787000	VALVE CORE	

Expanded Model Nomenclature

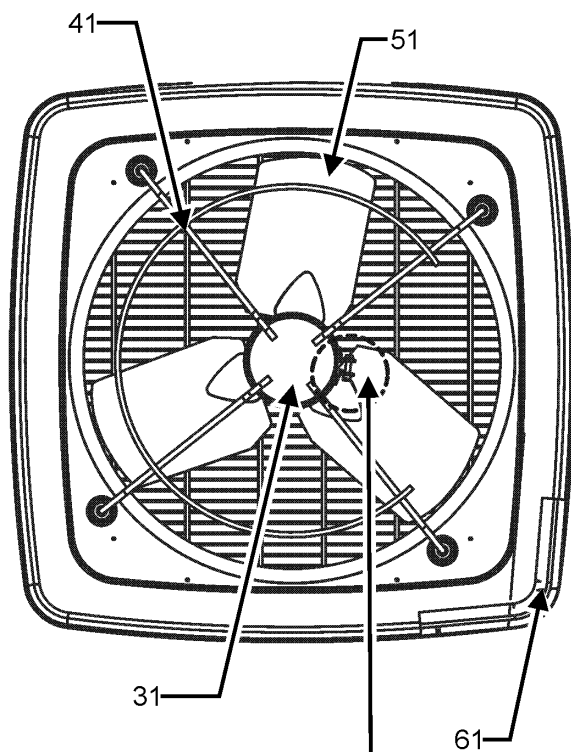
M1 - DZ11SA0903AB
M2 - DZ11SA0903AC
M3 - DZ11SA0904AB
M4 - DZ11SA0904AC
M5 - DZ11SA1203AB
M6 - DZ11SA1203AC
M7 - DZ11SA1204AB
M8 - DZ11SA1204AC

TOP AND LOUVER PANEL ASSEMBLY

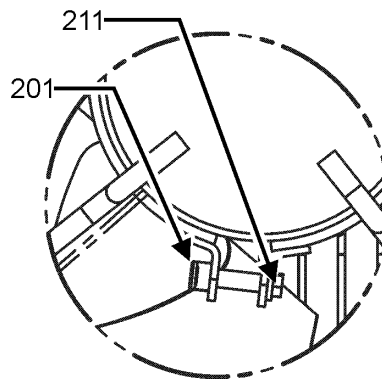
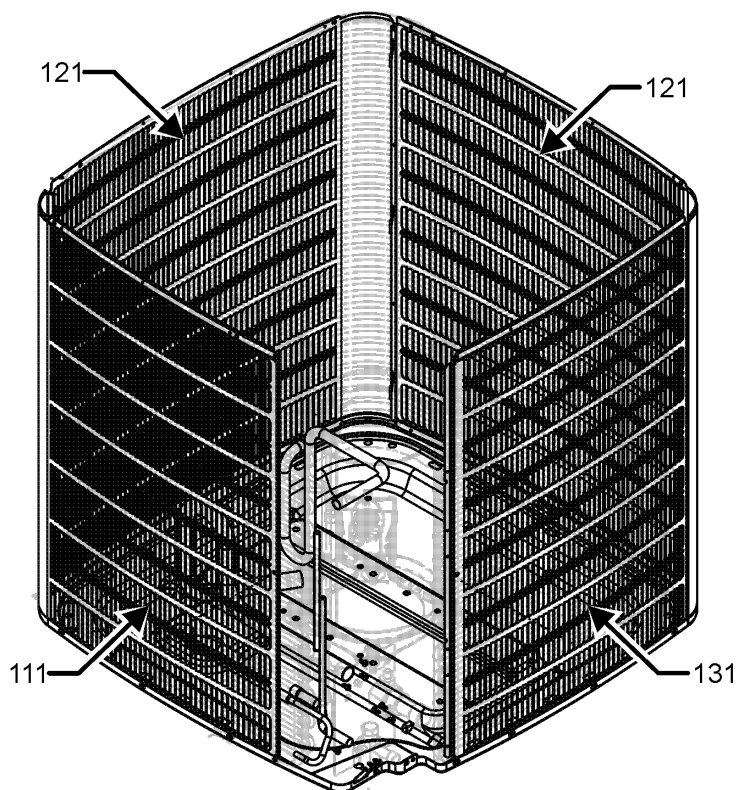
TOP PANEL ASSEMBLY
TOP VIEW



TOP PANEL ASSEMBLY
BOTTOM VIEW



SEE MOTOR
MOUNTING
BRACKET DETAIL



MOTOR MOUNTING
BRACKET DETAIL

LOUVER PANEL ASSEMBLY

TOP AND LOUVER PANEL ASSEMBLY

Ref. Part No:	No:	Description:	Ref. Part No:	No:	Description:
---------------	-----	--------------	---------------	-----	--------------

Image 1:

11	0121R00013PNG	VENTURI TOP PANEL 35"
21	0152R00013	GRILL, WIRE 35" COM TOP
31	0131M00786	MOTOR 1HP 1SP 230V (M1, M2, M5, M6)
31	0131M00787	MOTOR 1HP 1SP 460V (M3, M4, M7, M8)
41	0121R00301	BRACKET, MOTOR MOUNTING
51	0150M00049	FAN BLADE, 26"
61	0154R00006	CONTROL PANEL GASKET
71	B1393024	LOCK NUT (QTY 4)
81	0163M00003P	SCREW #10 X 1/2, A, SLOT, SR, BLACK (QTY 8)
111	0121R00043PNGB	LOUVERED SIDE PANEL [LT OF CNTL PNL]
121	0121R00047PNGB	LOUVERED SIDE PANEL (QTY 2)
131	0121R00051PNG	LOUVERED SIDE PANEL [RT OF CNTL PNL]
201	B1393804	NYLON LOCKNUT .31-18
211	0163M00129	SCREW H2 .31 X 1.52

Expanded Model Nomenclature

M1 - DZ11SA0903AB
M2 - DZ11SA0903AC
M3 - DZ11SA0904AB
M4 - DZ11SA0904AC
M5 - DZ11SA1203AB
M6 - DZ11SA1203AC
M7 - DZ11SA1204AB
M8 - DZ11SA1204AC