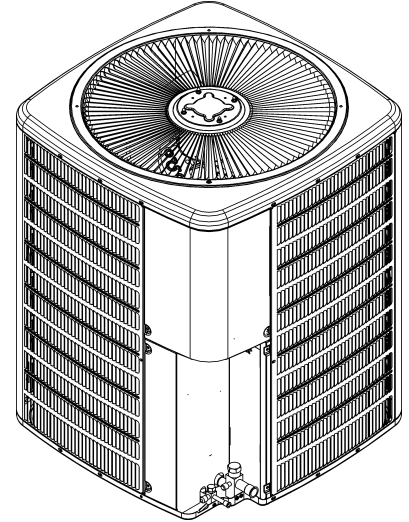

DX4SEA10 Remote Condensing Unit**

DX4SEA1810AA
DX4SEA2410AA
DX4SEA3010AA
DX4SEA3610AA
DX4SEA4210AA
DX4SEA4810AA
DX4SEA6010AA



This manual is to be used by qualified technicians only.

Important Information

Index

Functional Parts List	3
Illustration and Parts	4 - 9

Views shown are for parts illustrations only, not servicing procedures.

Text Codes:

AR - As Required

NA - Not Available

NS - Not Shown

00000000 - See Note

QTY - Quantity Example (QTY 3) (If Quantity not shown, Quantity = 1)

M - Model Example (M1) (If M Code not shown, then part is used on all Models)

Expanded Model Nomenclature:

Example
M1 - Model#1
M2 - Model#2
M3 - Model#3

Daikin Comfort Technologies Manufacturing , L.P. is not responsible for personal injury or property damage resulting from improper service. Review all service information before beginning repairs.

Warranty service must be performed by an authorized technician, using authorized factory parts. If service is required after the warranty expires, Daikin Comfort Technologies Manufacturing , L.P. also recommends contacting an authorized technician and using authorized factory parts.

Daikin Comfort Technologies Manufacturing , L.P. reserves the right to discontinue, or change at any time, specifications or designs without notice or without incurring obligations.

For assistance within the U.S.A. contact:
Homeowner Support
Daikin Comfort Technologies Manufacturing , L.P.
19001 Kermier Road
Waller, Texas 77484
855-770-5678-Telephone
713-863-2382-Facsimile

For assistance outside the U.S.A. contact:
International Division
Daikin Comfort Technologies Manufacturing , L.P.
19001 Kermier Road
Waller, Texas 77484
713-861-2500-Telephone
713-863-2382-Facsimile

Functional Parts

Part

No: Description:

0151R00182	BALL VALVE 7/8" (M3, M4)
0151R00185	BASE VALVE 3/4" (M1, M2)
0151R00187	BASE VALVE 3/8"
0151R00186	BASE VALVE 7/8" (M5, M6, M7)
0150M00012	BLADE-FAN 20" CCW (M1)
CAP050350440CS	CAP, 5/35 MFD/440V/DUAL RD (M1, M2, M3)
CAB050400440CT	CAP, 5/40 MFD/440V RD - BPRF (M4, M6, M7)
CAB050450440CT	CAP, 5/45 MFD/440V RD - BPRF (M5)
ZPS51K7EPFV130	COMP 49000,208/230/60/1 (M7)
ZP24K7EPFV130	COMP, 24000, 208/230/60/1 (M3)
ZP14K7EPFV130	COMPRESSOR, 1.5 TON (M1)
ZP20K7EPFV130	COMPRESSOR, 2 TON (M2)
ZP29K7EPFV130	COMPRESSOR, COPELAND (M4)
ZP40K7EPFV130	COMPRESSOR, COPELAND (M6)
ZP34K7EPFV130	COMPRESSOR, COPELAND (M5)
CONT1P030024V	CONT, 1 POLE, 30 AMP, 24 VAC (M1, M2, M3, M4, M5, M6)
CONT2P040024V	CONT, 2 POLE, 40 AMP, 24 VAC (M7)
571006600	CoreSense Module
0130M00106	DISC TERM CRNKCS HTR SW (M5, M6, M7)
0130M00349	DISC THERMOSTAT (M1, M2, M3, M4)
11046710	DISC-THERMOSTAT (M5, M6, M7)
0150M00008	FAN BLADE, 22" TNT2203-25 (M2)
0150M00054	FAN BLADE, 26" (M3, M4, M5, M6, M7)
0163R00007	HEATER CRANKCASE 230V 40W (M5, M6, M7)
0131M00807	MOTOR, 1/4HP,1SP,8PL,AL (M5, M6)
0131M00753	MOTOR, 1/6HP, 1SP, 8PL, AL (M2, M3, M4)
0131M00969	MOTOR, 1/8HP, 8PL, PSC (M1)
0131M01012	MOTOR, ECM (M7)
0130R00003	SW-CUTOUT HI PRESS (M5, M6, M7)
0130R00056	SW-CUTOUT HI PRESS (M1, M2, M3, M4)
0130M00821	SWITCH, LOW PRESSURE (M5, M6, M7)
0130M00724	SWITCH, LOW PRESSURE (M1, M2, M3, M4)

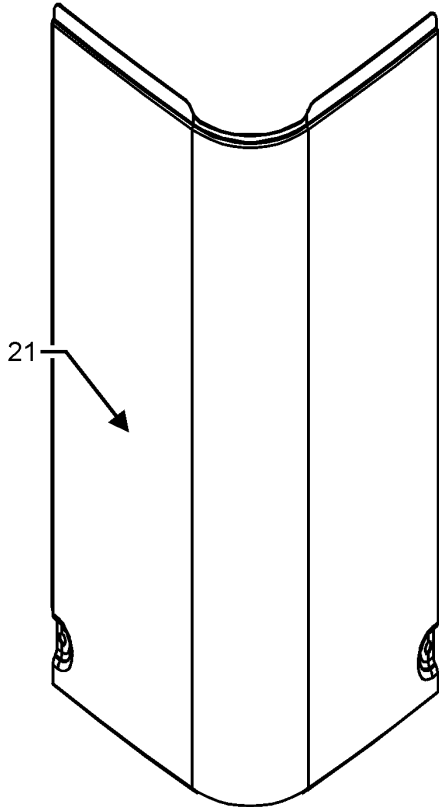
Expanded Model Nomenclature

M1 - DX4SEA1810AA
M2 - DX4SEA2410AA
M3 - DX4SEA3010AA
M4 - DX4SEA3610AA
M5 - DX4SEA4210AA
M6 - DX4SEA4810AA
M7 - DX4SEA6010AA

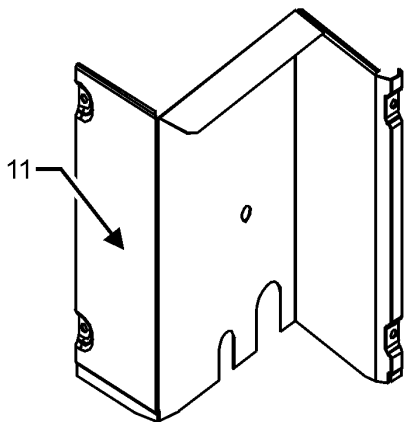
0161R00093 NAMEPLATE, DAIKIN

Control Panel Assembly

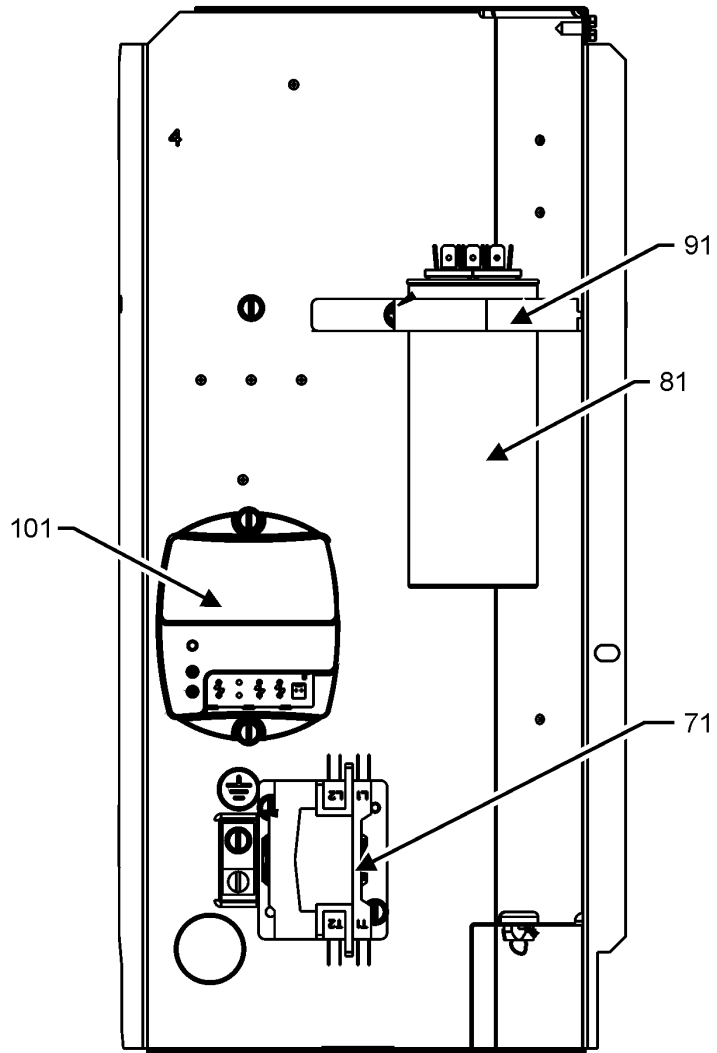
CONTROL PANEL ASSEMBLY



UPPER ACCESS COVER



LOWER ACCESS PANEL



CONTROL PANEL ASSEMBLY MAY DIFFER FROM WHAT IS SHOWN

Control Panel Assembly

Ref. Part No:	No:	Description:	Ref. Part No:	No:	Description:
---------------	-----	--------------	---------------	-----	--------------

Image 1:

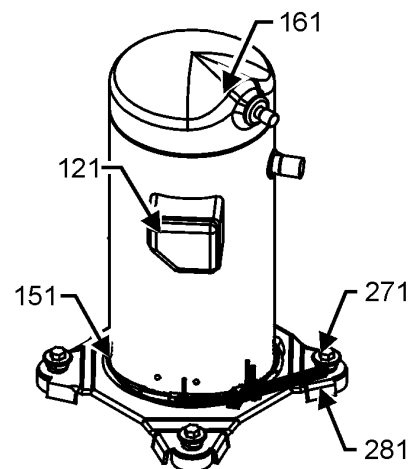
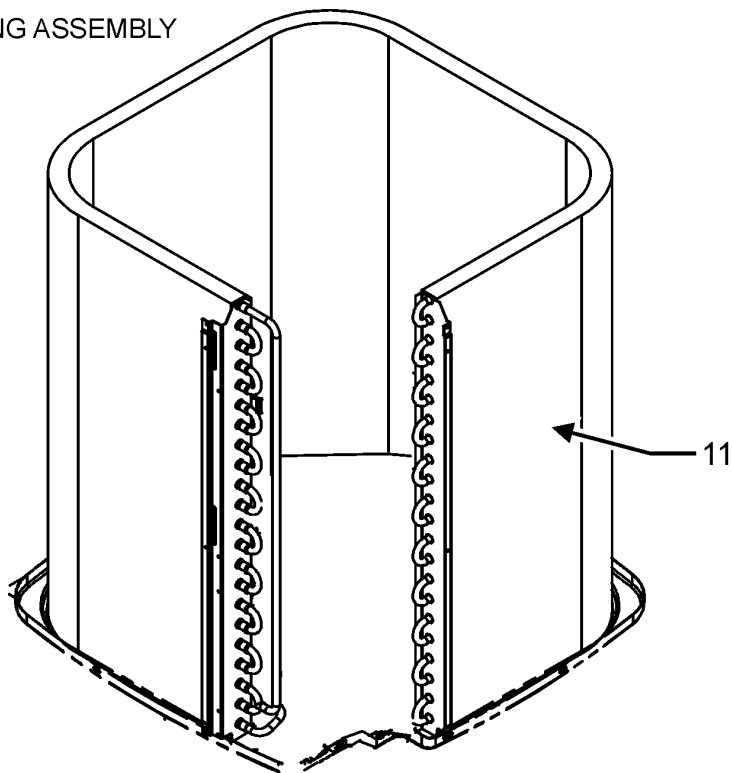
11	0121R00909PNG	PNL, LWR ACCESS (M3, M4)
11	0121R00915PNG	PNL, LWR ACCESS (M1)
11	0121R00916PNG	PNL, LWR ACCESS (M7)
11	0121R00917PNG	PNL, LWR ACCESS (M5, M6)
11	0121R00919PNG	PNL, LWR ACCESS (M2)
21	0121R00937PNG	CONTROL COVER, PNT
71	CONT1P030024V	CONT, 1 POLE, 30 AMP, 24 VAC (M1, M2, M3, M4, M5, M6)
71	CONT2P040024V	CONT, 2 POLE, 40 AMP, 24 VAC (M7)
81	CAP050350440CS	CAP, 5/35 MFD/440V/DUAL RD (M1, M2, M3)
81	CAB050400440CT	CAP, 5/40 MFD/440V RD - BPRF (M4, M6, M7)
81	CAB050450440CT	CAP, 5/45 MFD/440V RD - BPRF (M5)
91	4400065	CAPACITOR STRAP
101	571006600	CoreSense Module
NS	0161R00093	NAMEPLATE, DAIKIN

Expanded Model Nomenclature

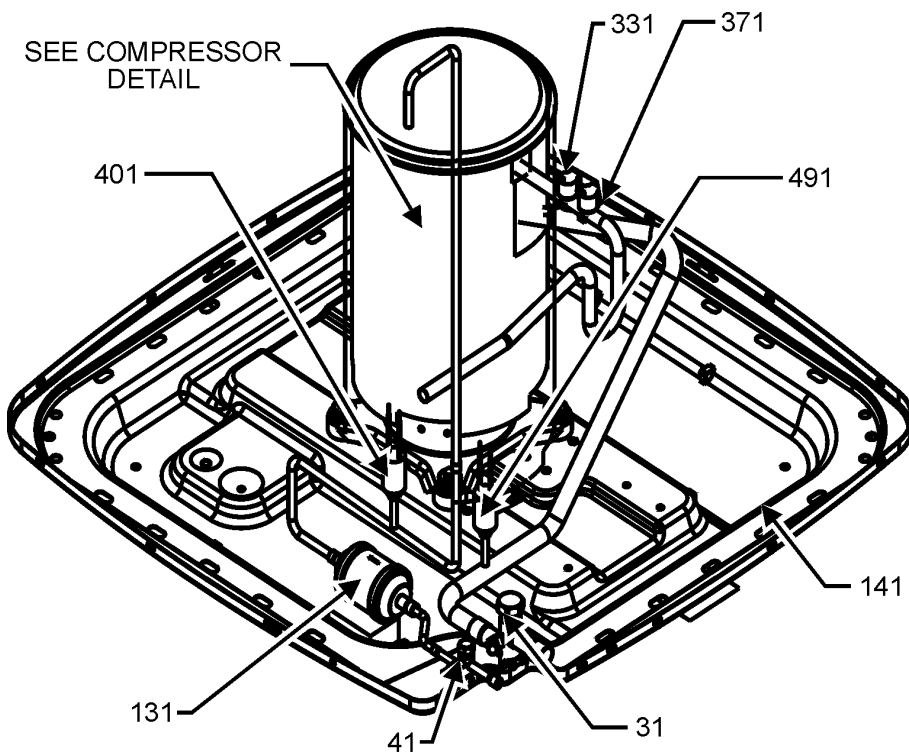
M1 - DX4SEA1810AA
M2 - DX4SEA2410AA
M3 - DX4SEA3010AA
M4 - DX4SEA3610AA
M5 - DX4SEA4210AA
M6 - DX4SEA4810AA
M7 - DX4SEA6010AA

Compressor and Tubing Assembly

TUBING ASSEMBLY



COMPRESSOR
DETAIL
STYLE 2



ACTUAL TUBING ASSEMBLY MAY DIFFER FROM WHAT IS SHOWN

Compressor and Tubing Assembly

Ref. Part No:	Part No:	Description:	Ref. Part No:	Part No:	Description:
---------------	----------	--------------	---------------	----------	--------------

Image 1:

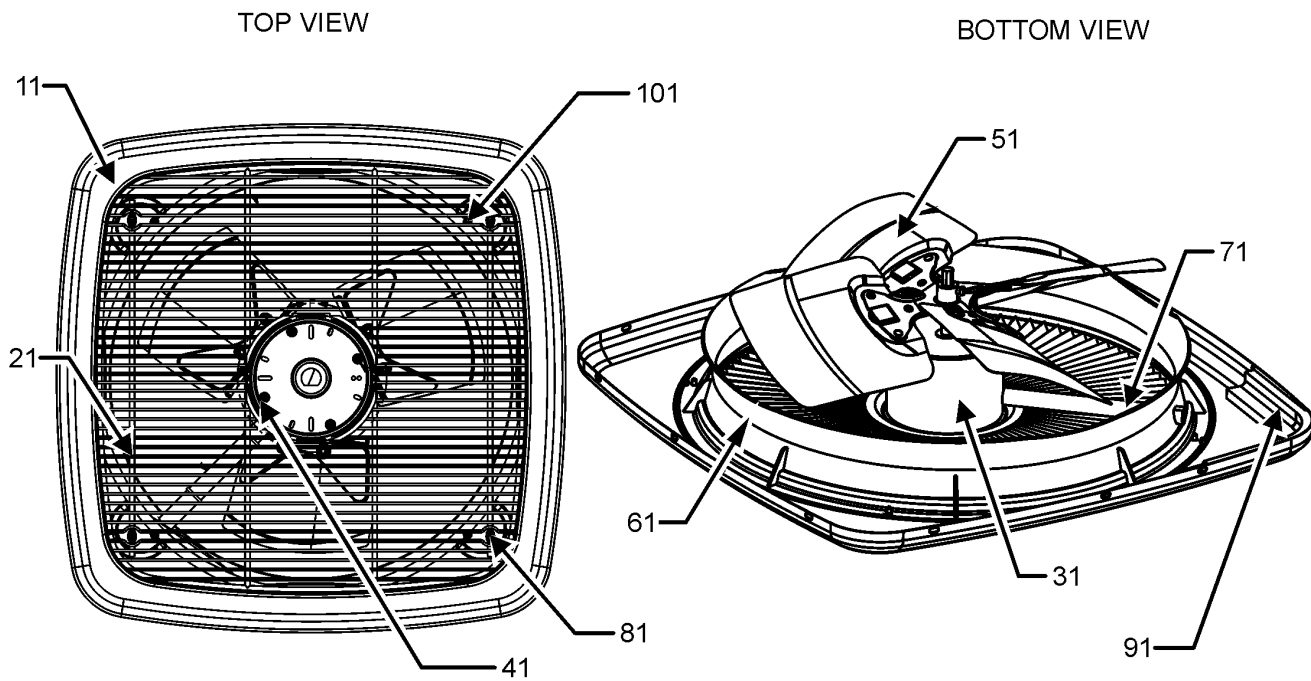
11	0201R00296	COIL TUBING ASSEMBLY (M2)
11	0201R00433	COIL TUBING ASSY (M3, M4)
11	0201R00718	COIL TUBING ASSY (M7)
11	0201R00732	COIL TUBING ASSY (M5, M6)
11	0201R00778	COIL TUBING ASSY (M1)
31	0151R00182	BALL VALVE 7/8" (M3, M4)
31	0151R00185	BASE VALVE 3/4" (M1, M2)
31	0151R00186	BASE VALVE 7/8" (M5, M6, M7)
41	0151R00187	BASE VALVE 3/8"
121	0159R00000P	HARNESS, COMP SCROLL 130 36" (M1)
121	0159R00001P	HARNESS, COMP SCROLL 130 42" (M2)
121	0159R00002P	HARNESS, COMP SCROLL 130 46" (M3, M4, M5, M6, M7)
131	0162R00057	FILTER DRIER
141	0121R00005PNG	BASE PAN, 26" PNT (M1)
141	0121R00006PNG	BASE PAN, 29" PNT (M2)
141	0121R00007PNG	BASE PAN, 35.5" PNT (M3, M4, M5, M6, M7)
151	0163R00007	HEATER CRANKCASE 230V 40W (M5, M6, M7)
161	ZPS51K7EPFV130	COMP 49000,208/230/60/1 (M7)
161	ZP24K7EPFV130	COMP, 24000, 208/230/60/1 (M3)
161	ZP14K7EPFV130	COMPRESSOR, 1.5 TON (M1)
161	ZP20K7EPFV130	COMPRESSOR, 2 TON (M2)
161	ZP29K7EPFV130	COMPRESSOR, COPELAND (M4)
161	ZP34K7EPFV130	COMPRESSOR, COPELAND (M5)
161	ZP40K7EPFV130	COMPRESSOR, COPELAND (M6)
271	M0221641	TF SHOULDER SCREW (QTY 4)
281	B1339533	COMPRESSOR GROMMET (QTY 4)
331	0130M00106	DISC TERM CRNKCS HTR SW (M5, M6, M7)
371	0130M00349	DISC THERMOSTAT (M1, M2, M3, M4)
371	11046710	DISC-THERMOSTAT (M5, M6, M7)
401	0130M00724	SWITCH, LOW PRESSURE (M1, M2, M3, M4)
401	0130M00821	SWITCH, LOW PRESSURE (M5, M6, M7)
451	0130R00003	SW-CUTOUT HI PRESS (M5, M6, M7)
451	0130R00056	SW-CUTOUT HI PRESS (M1, M2, M3, M4)
NS	0160M00035	COMPRESSOR BLANKET (M1, M2, M3, M4)
NS	0160M00039	COMPRESSOR BLANKET (M5, M6, M7)
NS	0159M00017	WIRE HARNESS COMPR SOLENOID (M7)

Expanded Model Nomenclature

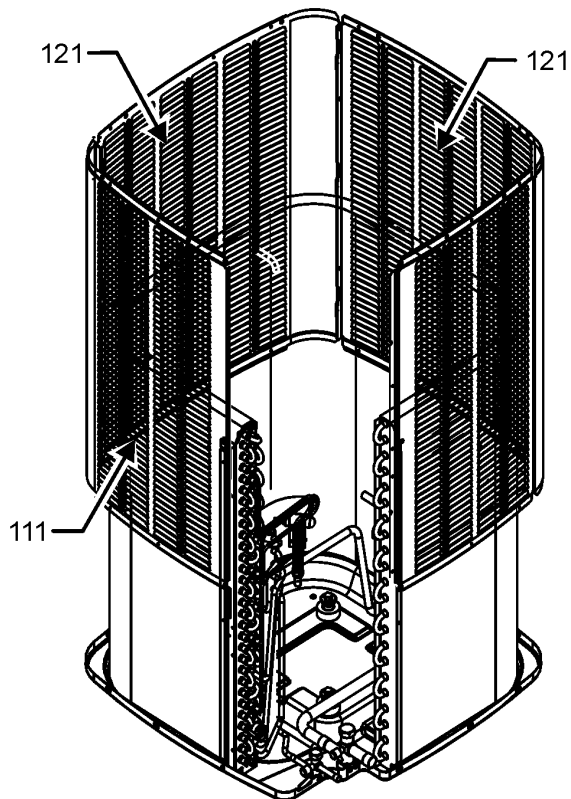
- | |
|-------------------|
| M1 - DX4SEA1810AA |
| M2 - DX4SEA2410AA |
| M3 - DX4SEA3010AA |
| M4 - DX4SEA3610AA |
| M5 - DX4SEA4210AA |
| M6 - DX4SEA4810AA |
| M7 - DX4SEA6010AA |

Top and Louver Panel Assembly

TOP PANEL AND LOUVER PANEL ASSEMBLY



LOUVER PANEL ASSEMBLY STYLE 1



TOP PANEL AND LOUVER ASSEMBLY MAY DIFFER FROM WHAT IS SHOWN

Top and Louver Panel Assembly

Ref. Part No:	Ref. Part No:	Description:	Description:
Image 1:			
11	0121R00931PNG	PANEL, TOP 26. PNT (M1)	
11	0121R00935PNG	PANEL, TOP 29. PNT (M2)	
11	0121R00936PNG	TOP PANEL, 35. PNT (M3, M4, M5, M6, M7)	
21	0152R00024	26" GRILLE CFS (M1)	
21	0152R00025	29" GRILLE CFS (M2)	
21	0152R00026	GRILL, WIRE 35. TOP (M3, M4, M5, M6)	
21	0152R00027	GRILL, WIRE 35. TOP (M7)	
31	0131M00807	MOTOR, 1/4HP, 1SP, 8PL, AL (M5, M6)	
31	0131M00753	MOTOR, 1/6HP, 1SP, 8PL, AL (M2, M3, M4)	
31	0131M00969	MOTOR, 1/8HP, 8PL, PSC (M1)	
31	0131M01012	MOTOR, ECM (M7)	
41	0163M00006P	ACORN NUT 5/16 HEX BLACK (M1, M2, M3, M4, M5, M6)	
41	M0280801	NUT-HEX (M7)	
51	0150M00012	BLADE-FAN 20" CCW (M1)	
51	0150M00008	FAN BLADE, 22" TNT2203-25 (M2)	
51	0150M00054	FAN BLADE, 26" (M3, M4, M5, M6, M7)	
61	0161R00103	26" VENTURI CFS (M1)	
61	0161R00104	29" VENTURI CFS (M2)	
61	0161R00105	35" VENTURI CFS (M3, M4, M5, M6, M7)	
71	0161R00001P	CONDUIT (M1)	
71	0161R00002P	CONDUIT (M2)	
71	0161R00100	CONDUIT (M3, M4, M5, M6)	
71	0163M00385	CONDUIT-FLEXIBLE (M7)	
81	0163M00003P	SCREW,#10 X 1/2,A,SLOT,SR,BLK (QTY 4)	
91	0154R00045	GASKET, CONTROL PANEL	
101	0163M00004	SCREW 10X3/4 BLK (QTY 4)	
111	0121R00200PNG	LOUVER, SIDE PANEL (M2)	
111	0121R00207PNG	LOUVER, SIDE PANEL (M1)	
111	0121R00240PNG	LOUVER, SIDE PANEL, PNT (M3, M4)	
111	0121R00927PNG	PANEL 1, LOUVER 35_34.64 PNT (M5, M6)	
111	0121R00601PNG	PANEL 1, LOUVER 35_39.84 PNT (M7)	
121	0121R00198PNG	LOUVER, SIDE PANEL (M1)	
121	0121R00204PNG	LOUVER, SIDE PANEL (M2)	
121	0121R00244PNG	LOUVER, SIDE PANEL, PNT (M3, M4)	
121	0121R00928PNG	PANEL 2, LOUVER 35_34.64 PNT (M5, M6)	
121	0121R00514PNG	PANEL 2, LOUVER 35_39.84 PNT (M7)	
131	0121R00193PNG	LOUVER, SIDE PANEL (M2)	
131	0121R00196PNG	LOUVER, SIDE PANEL (M1)	
131	0121R00248PNG	LOUVER, SIDE PANEL, PNT (M3, M4)	
131	0121R00929PNG	PANEL 3, LOUVER 35_34.64 PNT (M5, M6)	
131	0121R00603PNG	PANEL 3, LOUVER 35_39.84 PNT (M7)	
NS	0161R00095	CAP, GRILL (M7)	
NS	0163M00005P	WASHER, BLACK (.50 OD .218D) (M1, M2, M3, M4, M5, M6)	

Expanded Model Nomenclature

M1 - DX4SEA1810AA
M2 - DX4SEA2410AA
M3 - DX4SEA3010AA
M4 - DX4SEA3610AA
M5 - DX4SEA4210AA
M6 - DX4SEA4810AA
M7 - DX4SEA6010AA