

DX20VC Air Conditioner Inverter

DX20VC0241BB
DX20VC0241BC
DX20VC0241BD
DX20VC0241BE
DX20VC0361BB
DX20VC0361BC
DX20VC0361BD
DX20VC0481BB
DX20VC0481BC
DX20VC0481BD
DX20VC0601BB
DX20VC0601BC
DX20VC0601BD



This manual is to be used by qualified technicians only.

This manual replaces RP-D4324A.

© 2017 - 2018, 2020 **DAIKIN MANUFACTURING COMPANY, L.P.** ♦ 5151 San Felipe St, Suite 500 ♦ Houston, TX 77056

Important Information

Index

Functional Parts List	3
Illustration and Parts	4 - 11

Views shown are for parts illustrations only, not servicing procedures

Text Codes:

AR - As Required

NA - Not Available

NS - Not Shown

00000000 - See Note

QTY - Quantity Example (QTY 3) (If Quantity not shown, Quantity = 1)

M - Model Example (M1) (If M Code not shown, then part is used on all Models)

Expanded Model Nomenclature:

Example M1 - Model#1 M2 - Model#2 M3 - Model#3

Daikin Manufacturing Company, L.P. is not responsible for personal injury or property damage resulting from improper service. Review all service information before beginning repairs.

Warranty service must be performed by an authorized technician, using authorized factory parts. If service is required after the warranty expires, Daikin Manufacturing Company, L.P. also recommends contacting an authorized technician and using authorized factory parts.

Daikin Manufacturing Company, L.P. reserves the right to discontinue, or change at any time, specifications or designs without notice or without incurring obligations.

For assistance within the U.S.A. contact:

Homeowner Support
Daikin North America, LLC
19001 Kermier Road
Waller, Texas 77484
855-770-5678-Telephone
713-863-2382-Facsimile

For assistance outside the U.S.A. contact:

International Division
Daikin North America, LLC
19001 Kermier Road
Waller, Texas 77484
713-861-2500-Telephone
713-863-2382-Facsimile

Functional Parts

Part No: **Description:**

0151R00097	3/4" BALL VALVE (M1, M2, M3, M4)
0151R00081	7/8" BALL VALVE (M5, M6, M7, M8, M9, M10, M11, M12, M13)
0151L00021	ACCUMULATOR (M11, M12, M13)
0151L00020	ACCUMULATOR (M8, M9, M10)
0151L00019	ACCUMULATOR (M1, M2, M3, M4, M5, M6, M7)
3E600193-1	CAPACITOR (M11, M12, M13)
4SA27011-1	CHECK VALVE (M5, M6, M7, M8, M9, M10)
4SA27006-1	CHECK VALVE (M1, M2, M3, M4)
0156R00009	COMPRESSOR 2YC36MXD (M1, M2, M3, M4)
0156R00011	COMPRESSOR 2YC63TXD (M5, M6, M7)
0156R00013	COMPRESSOR 2YC90FXD (M8, M9, M10)
0156R00015	COMPRESSOR JT100GCVDW (M11, M12, M13)
3P130357-15	CRANKCASE HEATER (M11, M12, M13)
3EA74081-1	CURRENT SENSOR, CHR-6Z-E-X (M11, M12, M13)
10625738	FAN BLADE 26" ALUM CCW
3P356931-1	FAN MOTOR
R3269031-3	FILTER
3P381424-2	HIGH PRESSURE SWITCH
2P346080-1	NF PCB (M8, M9, M10, M11, M12, M13)
0151R00144	OIL SEPARATOR
0272R00994	PCB assy (M11, M12)
0272R01532	PCB ASSY (M13)
0272R01531	PCB ASSY (M10)
0272R01529	PCB ASSY (M4)
0272R00981	PCB assy (M8, M9)
0272R00978	PCB assy (M5, M6)
0272R00976	PCB assy (M1, M2, M3)
0272R01530	PCB ASSY (M7)
2P361564-1	PCB, FAN DRIVE, INVERTER (M11, M12, M13)
3E750074-1	POWER CONDITIONER (M1, M2, M3, M4, M5, M6, M7)
3P362914-1	POWER CONDITIONER (M11, M12, M13)
3S481010-1	PRESSURE SENSOR
0130M00689	SHARED DATA (M10)
0130M00567	SHARED DATA (M1, M2, M3)
0130M00568	SHARED DATA (M5, M6)
0130M00569	SHARED DATA (M8, M9)
0130M00570	SHARED DATA (M11, M12)
0130M00688	SHARED DATA (M7)
0130M00690	SHARED DATA (M13)
0130M00687	SHARED DATA (M4)
0130M00186	TERMINAL BLOCK
3P381576-1	THERMISTOR AMBIENT
3P381575-2	THERMISTOR ASSY

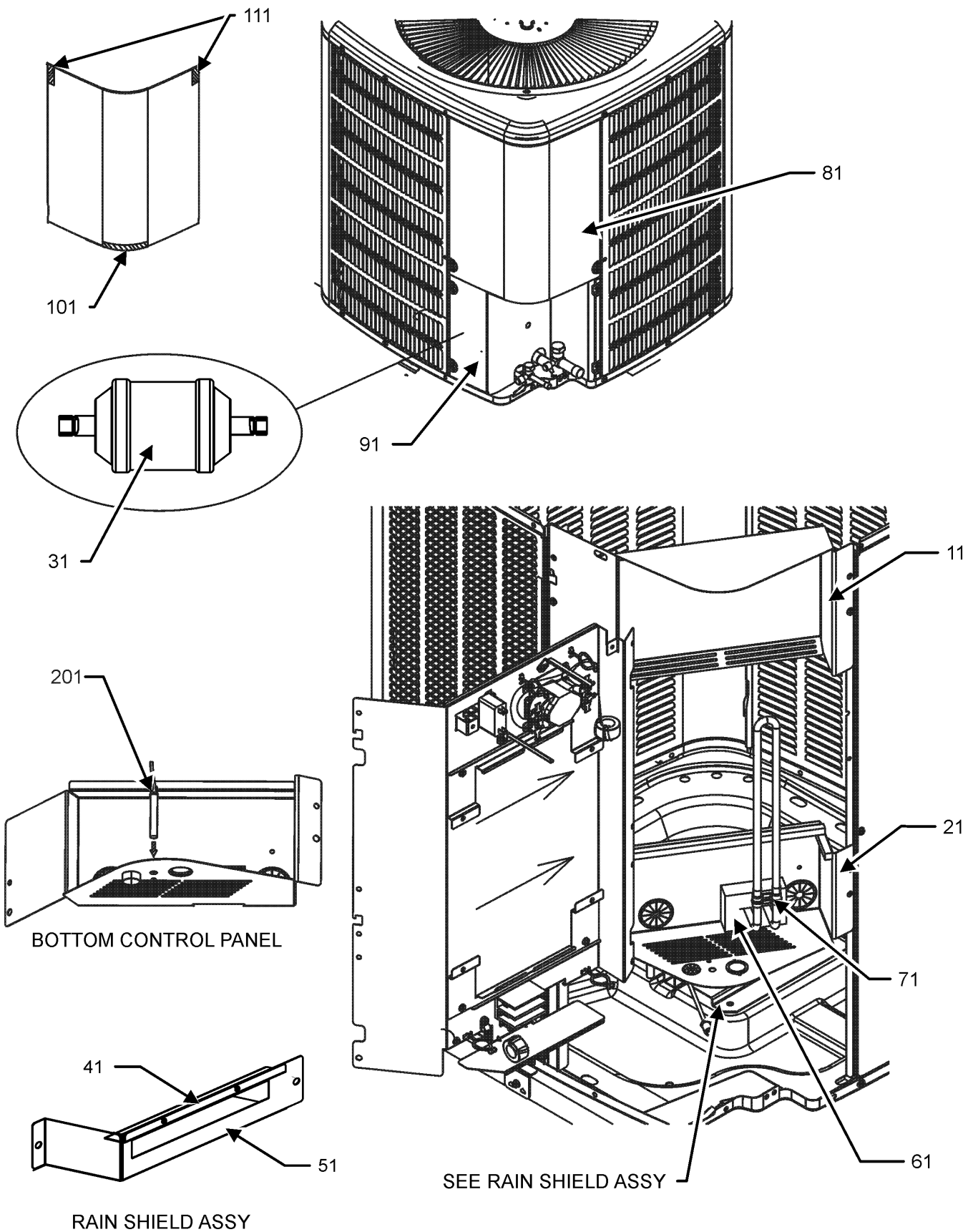
Expanded Model Nomenclature

M1 - DX20VC0241BB
M2 - DX20VC0241BC
M3 - DX20VC0241BD
M4 - DX20VC0241BE
M5 - DX20VC0361BB
M6 - DX20VC0361BC
M7 - DX20VC0361BD
M8 - DX20VC0481BB
M9 - DX20VC0481BC
M10 - DX20VC0481BD
M11 - DX20VC0601BB
M12 - DX20VC0601BC
M13 - DX20VC0601BD

SPECIAL PARTS

0161R00095	CAP, GRILL
0161R00093	NAMEPLATE, DAIKIN
0361R00000	THERMAL GREASE

Control Assembly



Control Assembly

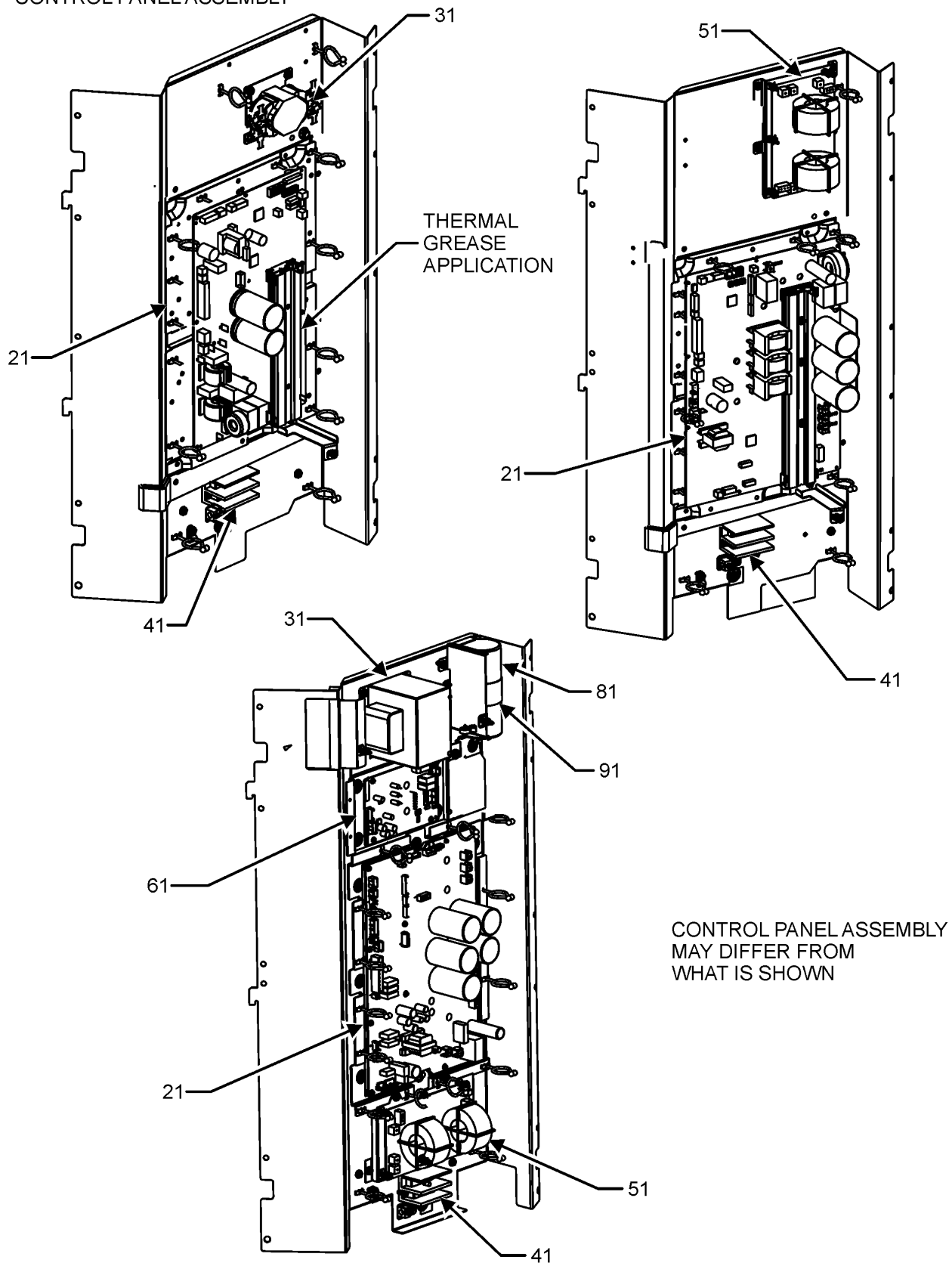
Ref. Part No:	No:	Description:	Ref. Part No:	No:	Description:
Image 1:					
11	0121R00519PNG	TOP CONTROL PANEL (M11, M12, M13)			
11	0272R01007PNG	TOP CONTROL PANEL (M1, M2, M3, M4, M5, M6, M7, M8, M9, M10)			
21	0121R00521PNG	CONTROL BOTTOM PANEL			
31	20485201	BI-FLOW FILTER DRIER			
41	0121R00562	RAIN SHIELD COVER			
51	0121R00563	Rain shield bracket			
61	0154R00016	GASKET - CONTROL PANEL			
71	4P305027-1	COOLING LOOP SEPARATOR (M1, M2, M3, M4, M5, M6, M7, M8, M9, M10)			
81	0121R00380PNG	CONTROL COVER (M1, M2, M3, M4, M5, M6, M7)			
81	0121R00517PNG	CONTROL COVER (M8, M9, M10, M11, M12, M13)			
91	0121R00379PNG	PANEL, LOWER ACCESS			
101	0154R00023	GASKET, CONTROL PANEL COVER			
111	0154R00017	GASKET - CONTROL PANEL (QTY 2)			
201	3P381576-1	THERMISTOR AMBIENT			
NS	0161R00095	CAP, GRILL			
NS	0121R00572	CONTROL PANEL BRACKET (M1, M2, M3, M4, M5, M6, M7, M8, M9, M10)			
NS	0154R00015	GASKET - TOP CONTROL PANEL (QTY 2)			
NS	0161R00093	NAMEPLATE, DAIKIN			

Expanded Model Nomenclature

- | |
|--------------------|
| M1 - DX20VC0241BB |
| M2 - DX20VC0241BC |
| M3 - DX20VC0241BD |
| M4 - DX20VC0241BE |
| M5 - DX20VC0361BB |
| M6 - DX20VC0361BC |
| M7 - DX20VC0361BD |
| M8 - DX20VC0481BB |
| M9 - DX20VC0481BC |
| M10 - DX20VC0481BD |
| M11 - DX20VC0601BB |
| M12 - DX20VC0601BC |
| M13 - DX20VC0601BD |

Control Panel Assembly

CONTROL PANEL ASSEMBLY

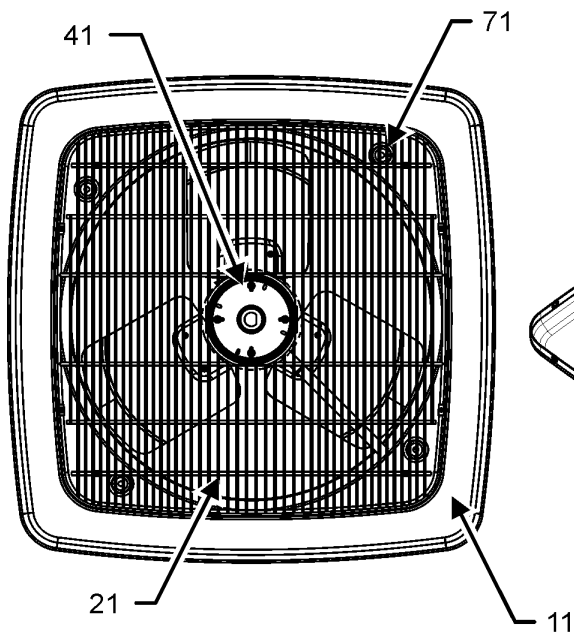


Control Panel Assembly

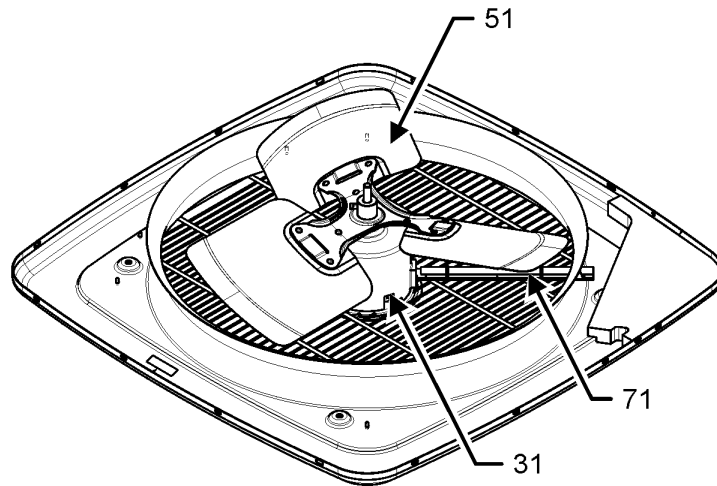
Ref. Part No:	Ref. Part No:	Description:	Description:
Image 1:		Image 1:	
21	0272R00976	PCB assy (M1, M2, M3)	NS 0130M00195 WIRE HARNESS ASSY (M8, M9, M10)
21	0272R00978	PCB assy (M5, M6)	NS 0130M00200 WIRE HARNESS ASSY (M11, M12, M13)
21	0272R00981	PCB assy (M8, M9)	NS 0130M00201 WIRE HARNESS ASSY (M11, M12, M13)
21	0272R00994	PCB assy (M11, M12)	NS 0130M00202 WIRE HARNESS ASSY (M11, M12, M13)
21	0272R01529	PCB ASSY (M4)	NS 0130M00206 WIRE HARNESS ASSY (M1, M2, M3, M4, M5, M6, M7)
21	0272R01530	PCB ASSY (M7)	
21	0272R01531	PCB ASSY (M10)	NS 0130M00200 WRE HARNESS ASSY (M11, M12, M13)
21	0272R01532	PCB ASSY (M13)	
31	3E750074-1	POWER CONDITIONER (M1, M2, M3, M4, M5, M6, M7)	
31	3P362914-1	POWER CONDITIONER (M11, M12, M13)	
41	0130M00186	TERMINAL BLOC K	
51	2P346080-1	NF PCB (M8, M9, M10, M11, M12, M13)	
61	2P361564-1	PCB, FAN DRIVE, INVERTER (M11, M12, M13)	
81	3E600193-1	CAPACITOR (M1 1, M12, M13)	
91	4P171335-1	CAPACITOR STRAP (M11, M12, M13)	
NS	3EA74081-1	CURRENT SENSOR, CHR-6Z-E-X (M11, M12, M13)	
NS	3P263839-1	FERRITE CORE	
NS	0163M00075	FLANGE NUT, SERRATED	
NS	0154R00026	GASKET - CONTROL PANEL	
NS	0154R00027	GASKET - CONTROL PANEL (M1, M2, M3, M4, M5, M6, M7, M8, M9, M10)	
NS	0154R00018	GASKET - MOUNTING PANEL (M1, M2, M3, M4, M5, M6, M7, M8, M9, M10)	
NS	0154R00019	GASKET - MOUNTING PANEL (M1, M2, M3, M4, M5, M6, M7, M8, M9, M10)	
NS	0154R00024	GASKET, CONTROL PANEL (M11, M12, M13)	
NS	0154R00025	GASKET, CONTROL PANEL (M11, M12, M13)	
NS	0163M00092	SCREW, HWH, 10-24X.500,BZ,SLOT	
NS	0130M00567	SHARED DATA (M1, M2, M3)	
NS	0130M00568	SHARED DATA (M5, M6)	
NS	0130M00569	SHARED DATA (M8, M9)	
NS	0130M00570	SHARED DATA (M11, M12)	
NS	0130M00687	SHARED DATA (M4)	
NS	0130M00688	SHARED DATA (M7)	
NS	0130M00689	SHARED DATA (M10)	
NS	0130M00690	SHARED DATA (M13)	
NS	0361R00000	THERMAL GREASE	
NS	3P381575-2	THERMISTOR ASSY	
NS	0130M00210	WIRE HARNESS (M8, M9, M10)	
NS	0130M00211	WIRE HARNESS (M8, M9, M10)	
NS	0130M00212	WIRE HARNESS (M11, M12, M13)	
NS	0130M00213	WIRE HARNESS (M11, M12, M13)	
NS	0130M00214	WIRE HARNESS (M11, M12, M13)	
NS	0130M00215	WIRE HARNESS (M11, M12, M13)	
NS	0130M00217	WIRE HARNESS (M11, M12, M13)	
NS	0130M00218	WIRE HARNESS (M11, M12, M13)	
NS	0130M00219	WIRE HARNESS (M11, M12, M13)	
NS	0130M00220	WIRE HARNESS (M1, M2, M3, M4, M5, M6, M7)	
NS	0130M00221	WIRE HARNESS (M1, M2, M3, M4, M5, M6, M7)	
NS	0130M00222	WIRE HARNESS (M1, M2, M3, M4, M5, M6, M7)	
NS	0130M00225	WIRE HARNESS (M11, M12, M13)	
NS	0130M00227	WIRE HARNESS	
NS	0130M00188	WIRE HARNESS ASSY (M8, M9, M10)	
NS	0130M00194	WIRE HARNESS ASSY (M1, M2, M3, M4, M5, M6, M7)	
		Expanded Model Nomenclature	
		M1 - DX20VC0241BB	
		M2 - DX20VC0241BC	
		M3 - DX20VC0241BD	
		M4 - DX20VC0241BE	
		M5 - DX20VC0361BB	
		M6 - DX20VC0361BC	
		M7 - DX20VC0361BD	
		M8 - DX20VC0481BB	
		M9 - DX20VC0481BC	
		M10 - DX20VC0481BD	
		M11 - DX20VC0601BB	
		M12 - DX20VC0601BC	
		M13 - DX20VC0601BD	

Top and Side Panel Assembly

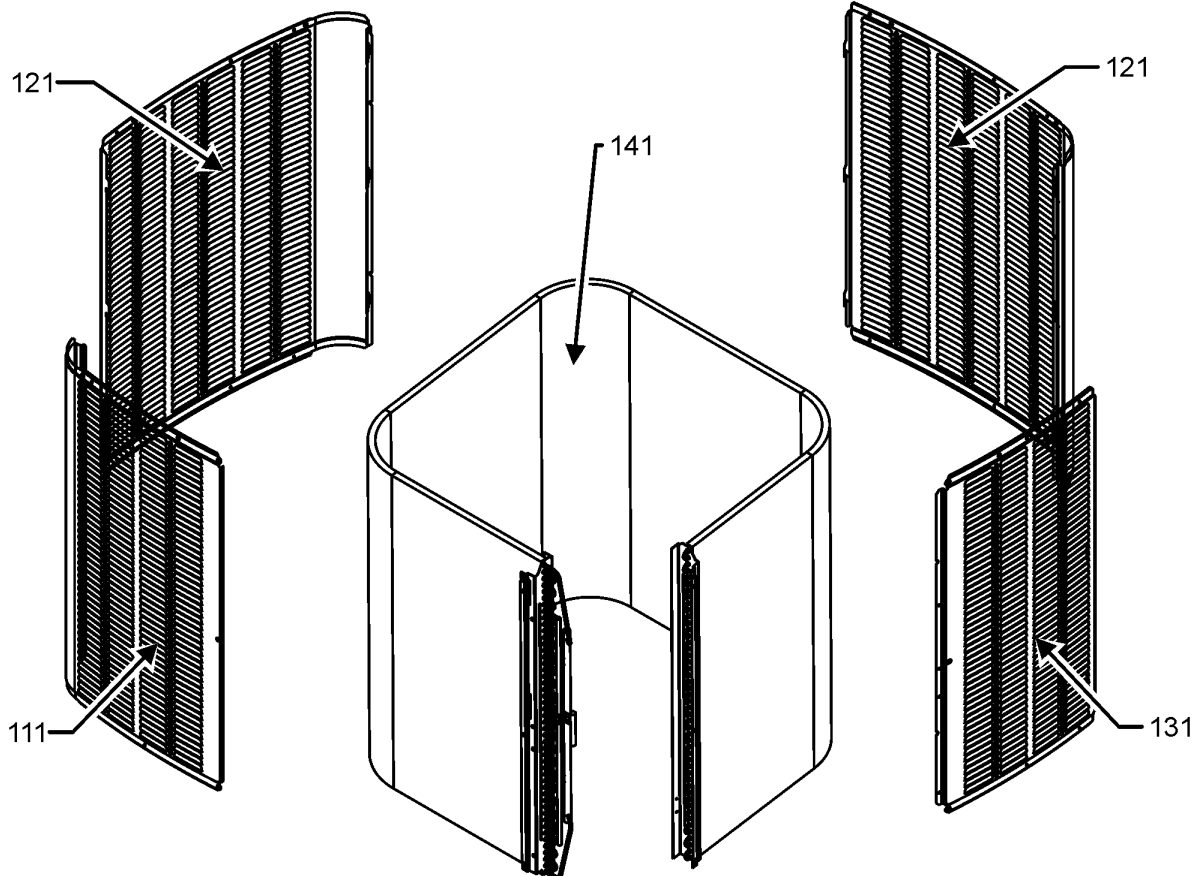
TOP PANEL ASSEMBLY
TOP VIEW



TOP PANEL ASSEMBLY
BOTTOM VIEW



LOUVER PANEL ASSEMBLY



Top and Side Panel Assembly

Ref. Part No:	Part No:	Description:	Ref. Part No:	Part No:	Description:
---------------	----------	--------------	---------------	----------	--------------

Image 1:

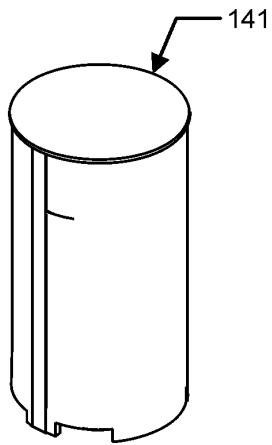
11	0121R00013PNG	PANEL, VENTURI 35" PNT
21	0152R00016	GRILLE, WIRE 35" TOP
31	3P356931-1	FAN MOTOR
51	10625738	FAN BLADE 26" ALUM CCW
71	0163M00003P	SCREW #10 X 1/2, A, SLOT, SR, BLACK (QTY 8)
91	0163M00385	CONDUIT-FLEXIBLE
111	0121R00363NG	PANEL 1, BENT LOUVER ASSY (M1, M2, M3, M4, M5, M6, M7)
111	0121R00513NG	PANEL 1, BENT LOUVER ASSY (M8, M9, M10, M11, M12, M13)
121	0121R00364NG	PANEL 2, BENT LOUVER ASSY (M1, M2, M3, M4, M5, M6, M7)
121	0121R00514PNG	PANEL 2, BENT LOUVER ASSY (M8, M9, M10, M11, M12, M13)
131	0121R00365NG	PANEL 3, PAINTED LOUVER 35 (M1, M2, M3, M4, M5, M6, M7)
131	0121R00515NG	PANEL 3, PAINTED LOUVER 35 (M8, M9, M10, M11, M12, M13)
141	0201R00499	COIL TBG, 36.38xL, 22mm CTC (M1, M2, M3, M4, M5, M6, M7)
141	0201R00503	COIL TBG, 39.85xL, 22mm CTC (M8, M9, M10, M11, M12, M13)
NS	0121R00480	ADAPTER PLATE (M1, M2, M3, M4, M5, M6, M7)
NS	0121R00482	ADAPTER PLATE (M8, M9, M10, M11, M12, M13)

Expanded Model Nomenclature

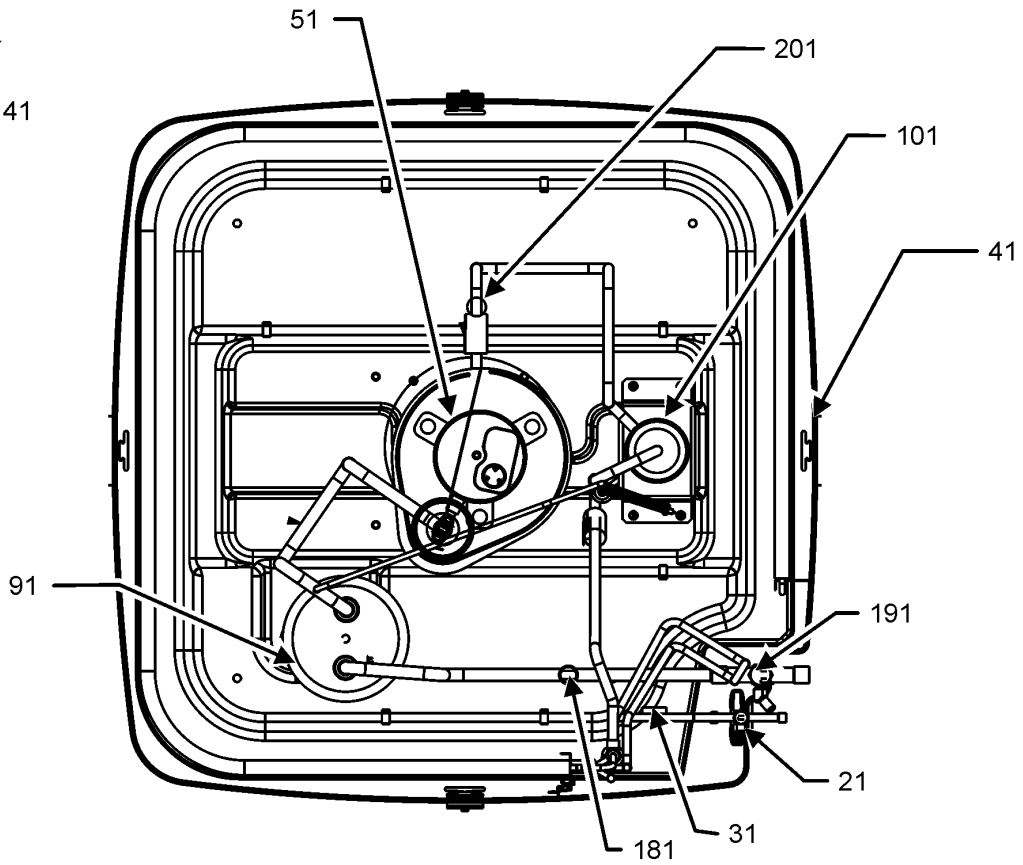
- | |
|--------------------|
| M1 - DX20VC0241BB |
| M2 - DX20VC0241BC |
| M3 - DX20VC0241BD |
| M4 - DX20VC0241BE |
| M5 - DX20VC0361BB |
| M6 - DX20VC0361BC |
| M7 - DX20VC0361BD |
| M8 - DX20VC0481BB |
| M9 - DX20VC0481BC |
| M10 - DX20VC0481BD |
| M11 - DX20VC0601BB |
| M12 - DX20VC0601BC |
| M13 - DX20VC0601BD |

Tubing Assembly

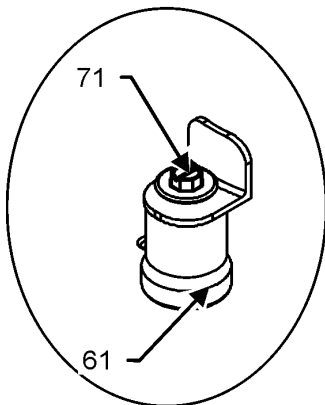
TUBING ASSEMBLY



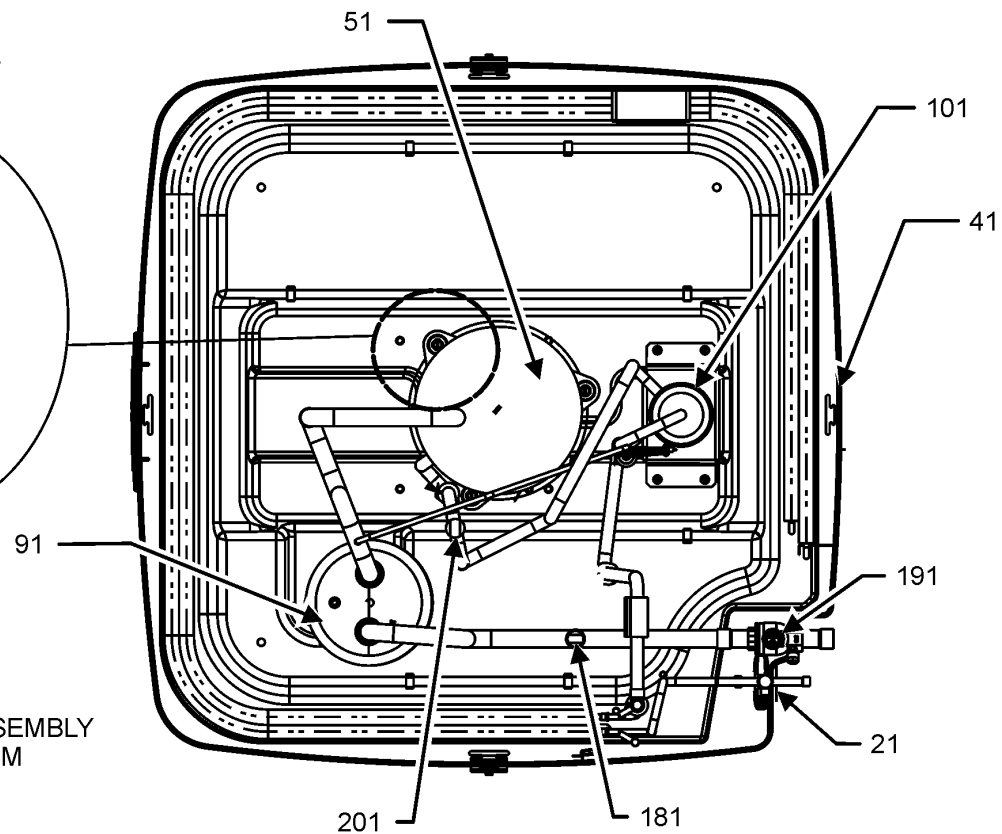
3 TON EXAMPLE



5 TON EXAMPLE



COMPRESSOR MOUNTING
DETAIL



COIL TUBING ASSEMBLY
MAY DIFFER FROM
WHAT IS SHOWN

Tubing Assembly

Ref. Part No:	Part No:	Description:	Ref. Part No:	Part No:	Description:
---------------	----------	--------------	---------------	----------	--------------

Image 1:

21	0151R00167	BASE VALVE 3/8"			
31	4PA17856-6	THERMISTOR HOUSING TUBE			
41	0121R00007PNG	BASE PAN, 35.5" PNT			
51	0156R00009	COMPRESSOR 2YC36MXD (M1, M2, M3, M4)			
51	0156R00011	COMPRESSOR 2YC63TXD (M5, M6, M7)			
51	0156R00013	COMPRESSOR 2YC90FXD (M8, M9, M10)			
51	0156R00015	COMPRESSOR JT100GCVDW (M11, M12, M13)			
61	0164M00027	RUBBER GROMMET (M5, M6, M7, M8, M9, M10, M11, M12, M13)			
61	0164M00028	RUBBER GROMMET (M1, M2, M3, M4)			
71	0163R00018	SCREW-SHOULDER TF (M5, M6, M7, M8, M9, M10, M11, M12, M13)			
71	0163R00020	SCREW-SHOULDER TF (M1, M2, M3, M4)			
91	0151L00019	ACCUMULATOR (M1, M2, M3, M4, M5, M6, M7)			
91	0151L00020	ACCUMULATOR (M8, M9, M10)			
91	0151L00021	ACCUMULATOR (M11, M12, M13)			
101	0151R00144	OIL SEPARATOR			
141	0160M00007	COMPRESSOR BLANKET (M1, M2, M3, M4)			
141	0160M00008	COMPRESSOR BLANKET (M8, M9, M10)			
141	0160M00009	COMPRESSOR BLANKET (M11, M12, M13)			
141	0160M00010	COMPRESSOR BLANKET (M5, M6, M7)			
181	3S481010-1	PRESSURE SENSOR			
191	0151R00097	3/4" BALL VALVE (M1, M2, M3, M4)			
191	0151R00081	7/8" BALL VALVE (M5, M6, M7, M8, M9, M10, M11, M12, M13)			
201	3P381424-2	HIGH PRESSURE SWITCH			
NS	0163R00023	ACCUMULATOR, NUT			
NS	4SA27006-1	CHECK VALVE (M1, M2, M3, M4)			
NS	4SA27011-1	CHECK VALVE (M5, M6, M7, M8, M9, M10)			
NS	0159R00012	COMPRESSOR WIRE HARNESS (M1, M2, M3, M4, M5, M6, M7)			
NS	0159R00013	COMPRESSOR WIRE HARNESS (M8, M9, M10)			
NS	0159R00014	COMPRESSOR WIRE HARNESS (M11, M12, M13)			
NS	3P130357-15	CRANKCASE HEATER (M11, M12, M13)			
NS	R3269031-3	FILTER			
NS	4PA38890-1	MOUNTING SPRING, THERMISTOR (QTY 3)			
NS	4PA17856-4	THERMISTOR HOUSING TUBE			

Expanded Model Nomenclature

- | |
|--------------------|
| M1 - DX20VC0241BB |
| M2 - DX20VC0241BC |
| M3 - DX20VC0241BD |
| M4 - DX20VC0241BE |
| M5 - DX20VC0361BB |
| M6 - DX20VC0361BC |
| M7 - DX20VC0361BD |
| M8 - DX20VC0481BB |
| M9 - DX20VC0481BC |
| M10 - DX20VC0481BD |
| M11 - DX20VC0601BB |
| M12 - DX20VC0601BC |
| M13 - DX20VC0601BD |