

---

**DX20VC Air Conditioner Inverter**

DX20VC0241BA  
DX20VC0361BA  
DX20VC0481BA  
DX20VC0601BA



This manual is to be used by qualified technicians only.

This manual replaces RP-D4042.

© 2016, 2019 **DAIKIN MANUFACTURING COMPANY, L.P.** ♦ 5151 San Felipe St, Suite 500 ♦ Houston, TX 77056

# Important Information

---

## Index

|                              |        |
|------------------------------|--------|
| Functional Parts List .....  | 3      |
| Illustration and Parts ..... | 4 - 11 |

*Views shown are for parts illustrations only, not servicing procedures.*

### Text Codes:

AR - As Required

NA - Not Available

NS - Not Shown

00000000 - See Note

QTY - Quantity Example (QTY 3) (If Quantity not shown, Quantity = 1)

M - Model Example (M1) (If M Code not shown, then part is used on all Models)

### Expanded Model Nomenclature:

|   |
|---|
| Example<br>M1 - Model#1<br>M2 - Model#2<br>M3 - Model#3 |
|---|

Daikin Manufacturing Company, L.P. is not responsible for personal injury or property damage resulting from improper service. Review all service information before beginning repairs.

Warranty service must be performed by an authorized technician, using authorized factory parts. If service is required after the warranty expires, Daikin Manufacturing Company, L.P. also recommends contacting an authorized technician and using authorized factory parts.

Daikin Manufacturing Company, L.P. reserves the right to discontinue, or change at any time, specifications or designs without notice or without incurring obligations.

For assistance within the U.S.A. contact:

Homeowner Support  
Daikin North America, LLC  
19001 Kermier Road  
Waller, Texas 77484  
855-770-5678-Telephone  
713-863-2382-Facsimile

For assistance outside the U.S.A. contact:

International Division  
Daikin North America, LLC  
19001 Kermier Road  
Waller, Texas 77484  
713-861-2500-Telephone  
713-863-2382-Facsimile

# Functional Parts

## Part

**No:**                    **Description:**

---

|             |                                 |
|-------------|---------------------------------|
| 0151R00097  | 3/4" BALL VALVE (M1)            |
| 0151R00081  | 7/8" BALL VALVE (M2, M3, M4)    |
| 0151L00021  | ACCUMULATOR (M4)                |
| 0151L00020  | ACCUMULATOR (M3)                |
| 0151L00019  | ACCUMULATOR (M1, M2)            |
| 3E600193-1  | CAPACITOR (M4)                  |
| 4SA27011-1  | CHECK VALVE (M2, M3)            |
| 4SA27006-1  | CHECK VALVE (M1)                |
| 0156R00006  | COMPRESSOR 2YC36MXD (M1)        |
| 0156R00007  | COMPRESSOR 2YC63TXD (M2)        |
| 0156R00008  | COMPRESSOR 2YC90FXD (M3)        |
| 0156R00005  | COMPRESSOR JT100GCVDW@SB (M4)   |
| 3P130357-15 | CRANKCASE HEATER (M4)           |
| 3EA74081-1  | CURRENT SENSOR, CHR-6Z-E-X (M4) |
| 10625738    | FAN BLADE 26" ALUM CCW          |
| 3P356931-1  | FAN MOTOR                       |
| 3P381424-2  | HIGH PRESSURE SWITCH            |
| 2P346080-1  | NF PCB (M3, M4)                 |
| R3269031-3  | OIL RETURN FILTER (M4)          |
| 3P357142-1  | OIL SEPARATOR                   |
| 0272R00976  | PCB ASSY (M1)                   |
| 0272R00978  | PCB ASSY (M2)                   |
| 0272R00981  | PCB ASSY (M3)                   |
| 0272R00994  | PCB ASSY (M4)                   |
| 2P361564-1  | PCB, FAN DRIVE, INVERTER (M4)   |
| 3P362914-1  | POWER CONDITIONER (M4)          |
| 3E750074-1  | POWER CONDITIONER (M1, M2)      |
| 3S481010-1  | PRESSURE SENSOR                 |
| 0130M00186  | TERMINAL BLOCK                  |
| 3P381576-1  | THERMISTOR AMBIENT              |
| 3P381575-2  | THERMISTOR ASSY                 |

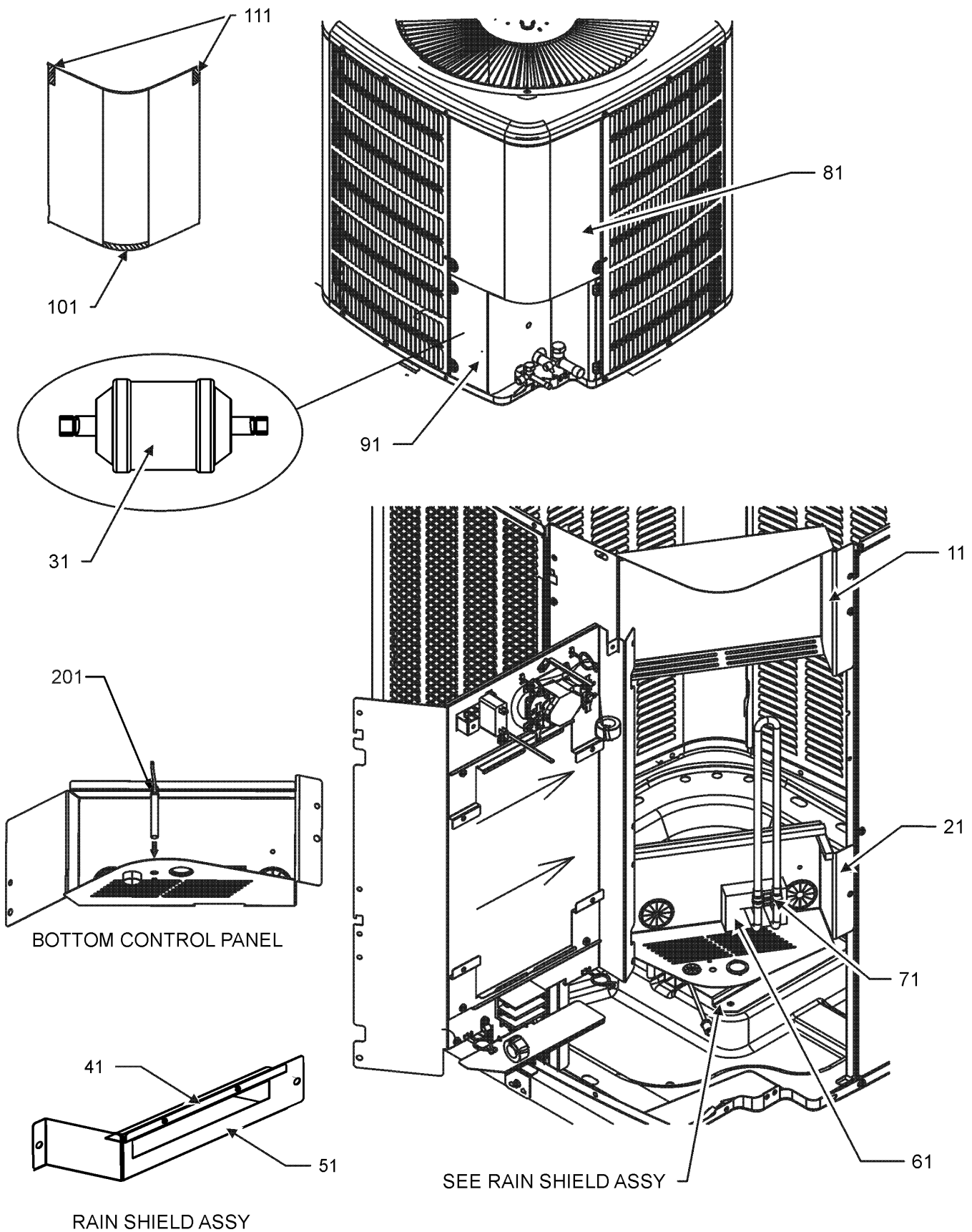
### SPECIAL PARTS

|            |                   |
|------------|-------------------|
| 0161R00038 | GRILL CAP         |
| 0161R00036 | NAMEPLATE, DAIKIN |
| 117269J    | THERMAL GREASE    |

### Expanded Model Nomenclature

|                   |
|-------------------|
| M1 - DX20VC0241BA |
| M2 - DX20VC0361BA |
| M3 - DX20VC0481BA |
| M4 - DX20VC0601BA |

# Control Panel Assy



# Control Panel Assy

| Ref. Part No: | No: | Description: | Ref. Part No: | No: | Description: |
|---------------|-----|--------------|---------------|-----|--------------|
|---------------|-----|--------------|---------------|-----|--------------|

---

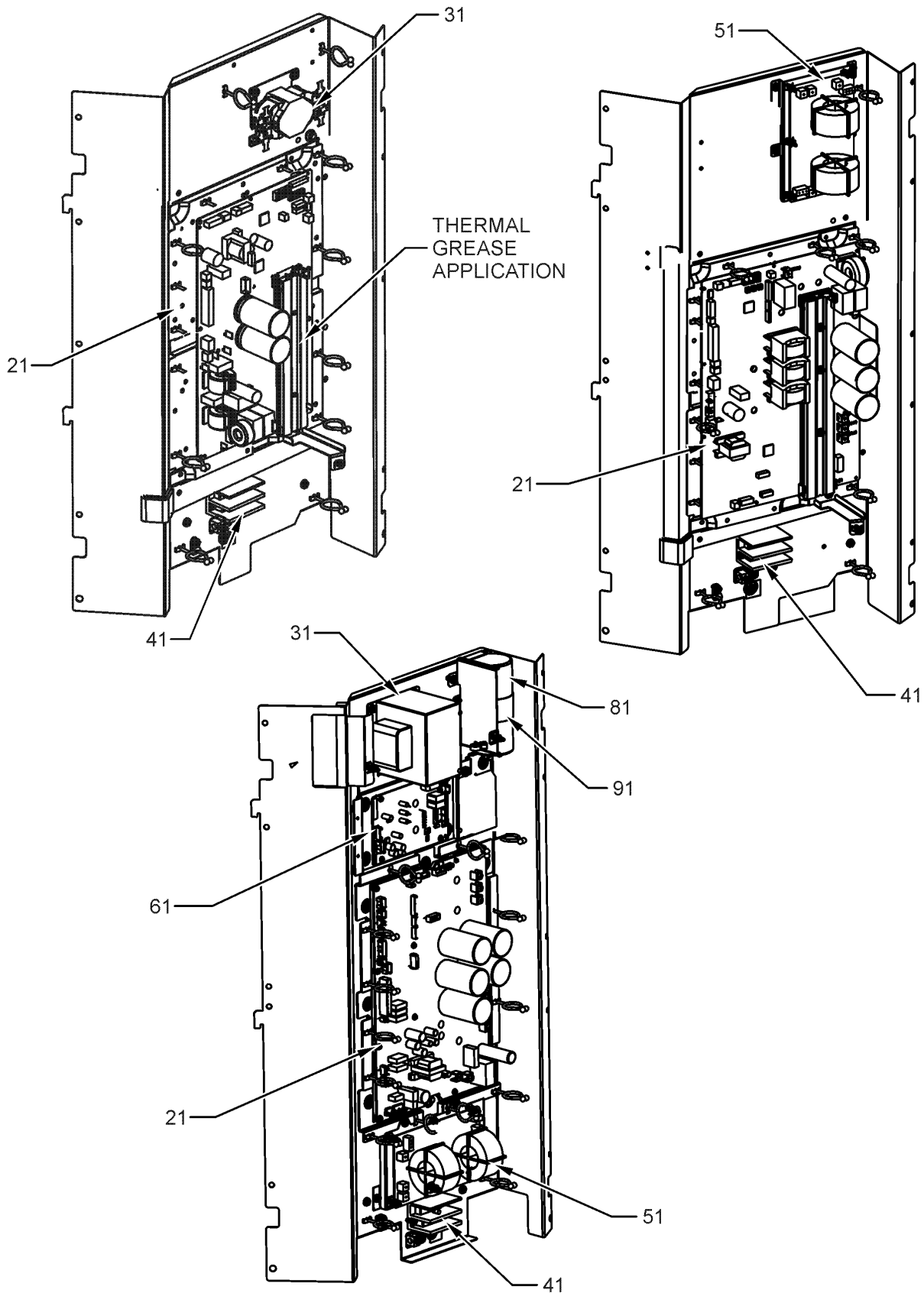
**Image 1:**

|     |               |                                     |
|-----|---------------|-------------------------------------|
| 11  | 0121R00519PNG | TOP CONTROL PANEL (M4)              |
| 11  | 0272R01007PNG | TOP CONTROL PANEL (M1, M2, M3)      |
| 21  | 0121R00521PNG | CONTROL BOTTOM PANEL                |
| 31  | 20485201      | BI-FLOW FILTER DRIER                |
| 41  | 0121R00562    | RAIN SHIELD COVER                   |
| 51  | 0121R00563    | Rain shield bracket                 |
| 61  | 0154R00016    | GASKET - CONTROL PANEL              |
| 71  | 4P305027-1    | COOLING LOOP SEPARATOR (M1, M2, M3) |
| 81  | 0121R00380PNG | CONTROL COVER (M1, M2)              |
| 81  | 0121R00517PNG | CONTROL COVER (M3, M4)              |
| 91  | 0121R00379PNG | PANEL, LOWER ACCESS                 |
| 101 | 0154R00023    | GASKET, CONTROL PANEL COVER         |
| 111 | 0154R00017    | GASKET - CONTROL PANEL (QTY 2)      |
| 201 | 3P381576-1    | THERMISTOR AMBIENT                  |
| NS  | 0121R00572    | CONTROL PANEL BRACKET (M1, M2, M3)  |
| NS  | 0154R00015    | GASKET - TOP CONTROL PANEL (QTY 2)  |
| NS  | 0161R00038    | GRILL CAP                           |
| NS  | 0161R00036    | NAMEPLATE, DAIKIN                   |

**Expanded Model Nomenclature**

|                   |
|-------------------|
| M1 - DX20VC0241BA |
| M2 - DX20VC0361BA |
| M3 - DX20VC0481BA |
| M4 - DX20VC0601BA |

# Control Panel



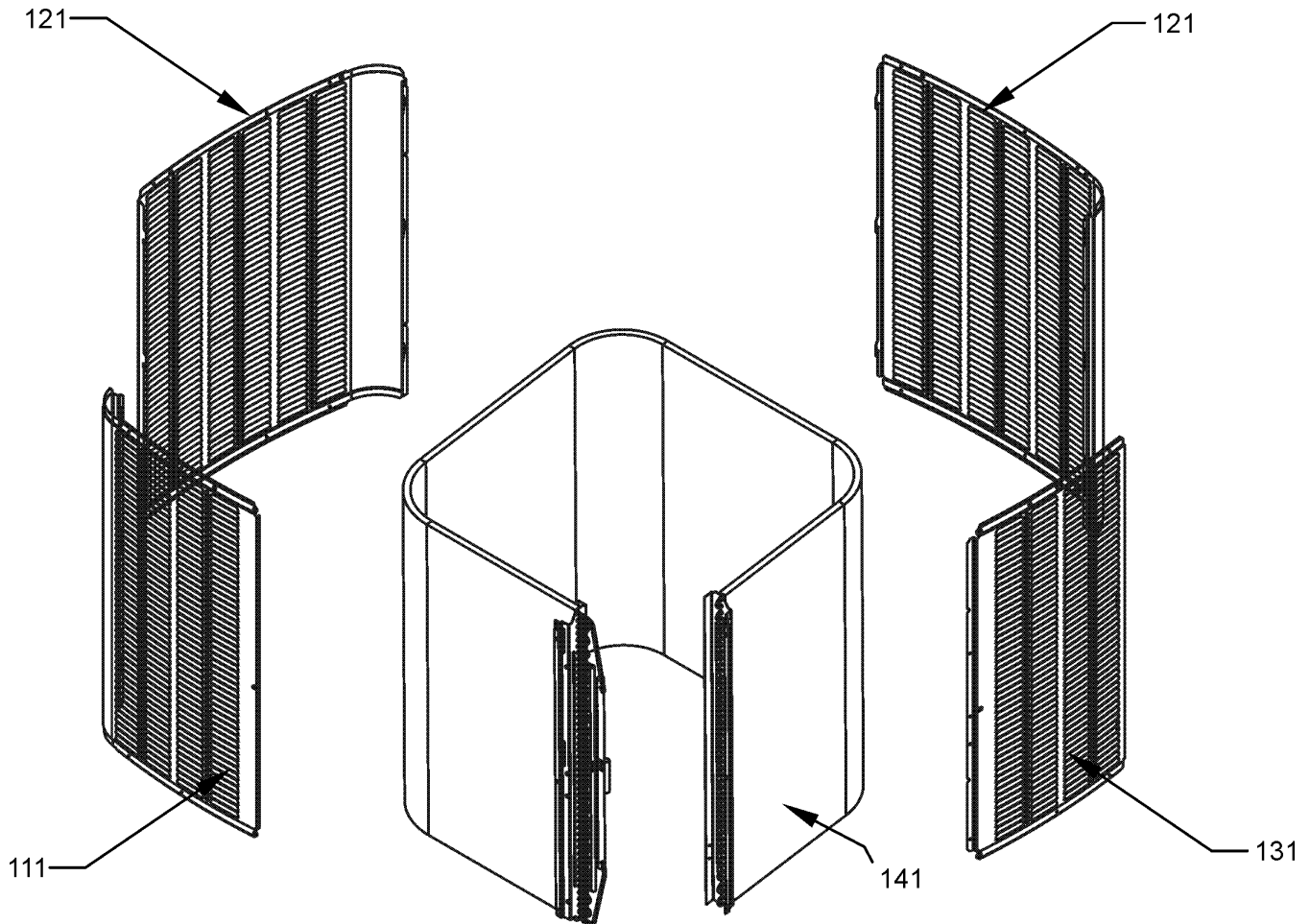
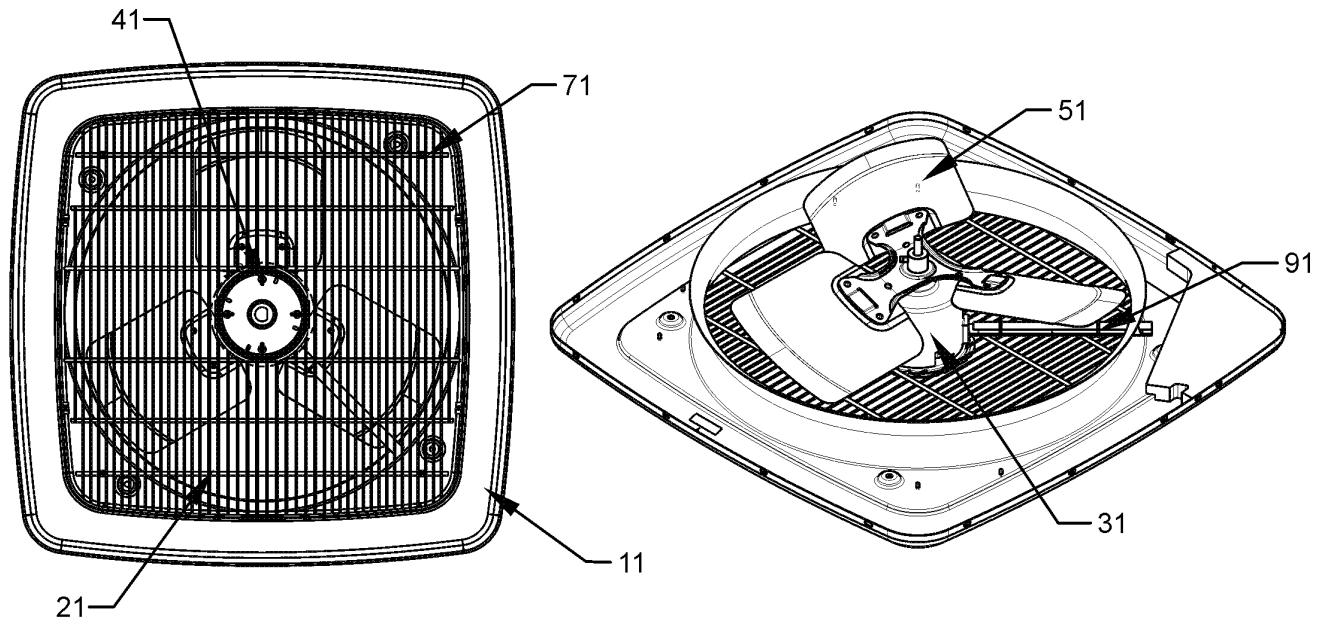
# Control Panel

| Ref. Part No:   | Ref. Part No: | Description:                         | Description: |
|-----------------|---------------|--------------------------------------|--------------|
| <b>Image 1:</b> |               |                                      |              |
| 21              | 0272R00976    | PCB ASSY (M1)                        |              |
| 21              | 0272R00978    | PCB ASSY (M2)                        |              |
| 21              | 0272R00981    | PCB ASSY (M3)                        |              |
| 21              | 0272R00994    | PCB ASSY (M4)                        |              |
| 31              | 3E750074-1    | POWER CONDITIONER (M1, M2)           |              |
| 31              | 3P362914-1    | POWER CONDITIONER (M4)               |              |
| 41              | 0130M00186    | TERMINAL BLOCK                       |              |
| 51              | 2P346080-1    | NF PCB (M3, M4)                      |              |
| 61              | 2P361564-1    | PCB, FAN DRIVE, INVERTER (M4)        |              |
| 81              | 3E600193-1    | CAPACITOR (M4)                       |              |
| 91              | 4P171335-1    | CAPACITOR STRAP (M4)                 |              |
| NS              | 3EA74081-1    | CURRENT SENSOR, CHR-6Z-E-X (M4)      |              |
| NS              | 3P263839-1    | FERRITE CORE                         |              |
| NS              | 0163M00075    | FLANGE NUT, SERRATED                 |              |
| NS              | 0154R00026    | GASKET - CONTROL PANEL               |              |
| NS              | 0154R00027    | GASKET - CONTROL PANEL (M1, M2, M3)  |              |
| NS              | 0154R00018    | GASKET - MOUNTING PANEL (M1, M2, M3) |              |
| NS              | 0154R00019    | GASKET - MOUNTING PANEL (M1, M2, M3) |              |
| NS              | 0154R00024    | GASKET, CONTROL PANEL (M4)           |              |
| NS              | 0154R00025    | GASKET, CONTROL PANEL (M4)           |              |
| NS              | 0163M00092    | SCREW, HWH, 10-24X.500,BZ,SLOT       |              |
| NS              | 0130M00567    | SHARED DATA (M1)                     |              |
| NS              | 0130M00568    | SHARED DATA (M2)                     |              |
| NS              | 0130M00569    | SHARED DATA (M3)                     |              |
| NS              | 0130M00570    | SHARED DATA (M4)                     |              |
| NS              | 117269J       | THERMAL GREASE                       |              |
| NS              | 3P381575-2    | THERMISTOR ASSY                      |              |
| NS              | 0130M00210    | WIRE HARNESS (M3)                    |              |
| NS              | 0130M00211    | WIRE HARNESS (M3)                    |              |
| NS              | 0130M00212    | WIRE HARNESS (M4)                    |              |
| NS              | 0130M00213    | WIRE HARNESS (M4)                    |              |
| NS              | 0130M00214    | WIRE HARNESS (M4)                    |              |
| NS              | 0130M00215    | WIRE HARNESS (M4)                    |              |
| NS              | 0130M00217    | WIRE HARNESS (M4)                    |              |
| NS              | 0130M00218    | WIRE HARNESS (M4)                    |              |
| NS              | 0130M00219    | WIRE HARNESS (M4)                    |              |
| NS              | 0130M00220    | WIRE HARNESS (M1, M2)                |              |
| NS              | 0130M00221    | WIRE HARNESS (M1, M2)                |              |
| NS              | 0130M00222    | WIRE HARNESS (M1, M2)                |              |
| NS              | 0130M00225    | WIRE HARNESS (M4)                    |              |
| NS              | 0130M00227    | WIRE HARNESS                         |              |
| NS              | 0130M00188    | WIRE HARNESS ASSY (M3)               |              |
| NS              | 0130M00194    | WIRE HARNESS ASSY (M1, M2)           |              |
| NS              | 0130M00195    | WIRE HARNESS ASSY (M3)               |              |
| NS              | 0130M00200    | WIRE HARNESS ASSY (M4)               |              |
| NS              | 0130M00201    | WIRE HARNESS ASSY (M4)               |              |
| NS              | 0130M00202    | WIRE HARNESS ASSY (M4)               |              |
| NS              | 0130M00206    | WIRE HARNESS ASSY (M1, M2)           |              |
| NS              | 0130M00200    | WRE HARNESS ASSY (M4)                |              |

## Expanded Model Nomenclature

|                    |
|--------------------|
| M1 - DX20V C0241BA |
| M2 - DX20V C0361BA |
| M3 - DX20V C0481BA |
| M4 - DX20V C0601BA |

# Top Panel and Cabinet Side Assy



# Top Panel and Cabinet Side Assy

## Ref. Part

No: No: Description:

## Ref. Part

No: No: Description:

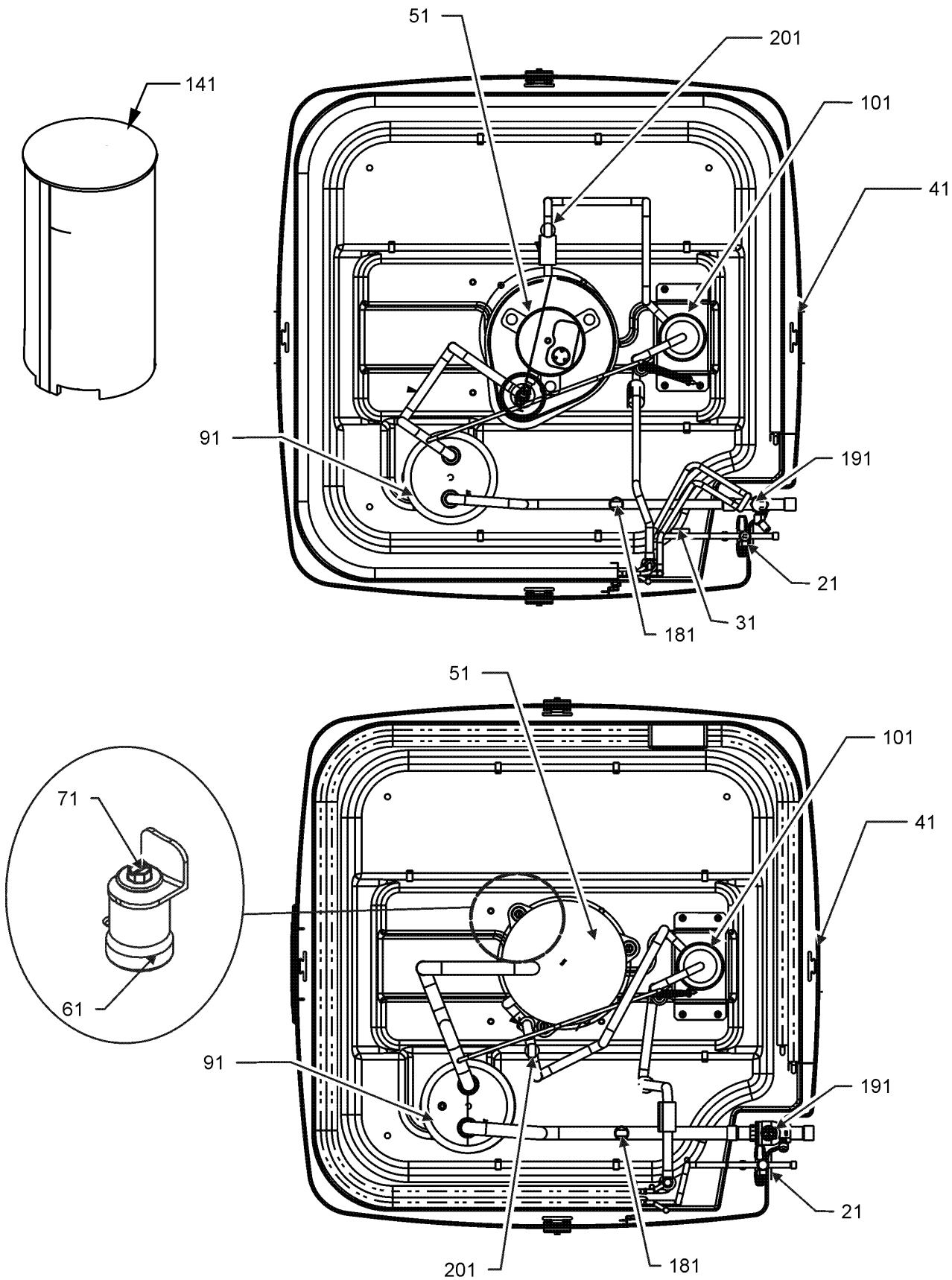
### Image 1:

|     |                |   |
|-----|----------------|---|
| 11  | 0121R00013PNG  | PANEL, VENTURI 35" PNT                      |
| 21  | 0152R00014     | GRILLE, WIRE 35" TOP                        |
| 31  | 3P356931-1     | FAN MOTOR                                   |
| 51  | 10625738       | FAN BLADE 26" ALUM CCW                      |
| 71  | 0163M00003P    | SCREW #10 X 1/2, A, SLOT, SR, BLACK (QTY 8) |
| 91  | 0163M00221     | CONDUIT, FLEXIBLE                           |
| 111 | 0121R00363NGB  | PANEL 1, BENT LOUVER ASSY (M1, M2)          |
| 111 | 0121R00513NGB  | PANEL 1, BENT LOUVER ASSY (M3, M4)          |
| 121 | 0121R00364NGB  | PANEL 2, BENT LOUVER ASSY (M1, M2)          |
| 121 | 0121R00514PNGB | PANEL 2, BENT LOUVER ASSY (M3, M4)          |
| 131 | 0121R00365NG   | PANEL 3, PAINTED LOUVER 35 (M1, M2)         |
| 131 | 0121R00515NG   | PANEL 3, PAINTED LOUVER 35 (M3, M4)         |
| 141 | 0201R00499     | COIL TBG, 36.38xL, 22mm CTC (M1, M2)        |
| 141 | 0201R00503     | COIL TBG, 39.85xL, 22mm CTC (M3, M4)        |
| NS  | 0121R00480     | ADAPTER PLATE (M1, M2)                      |
| NS  | 0121R00482     | ADAPTER PLATE (M3, M4)                      |

### Expanded Model Nomenclature

|                   |
|-------------------|
| M1 - DX20VC0241BA |
| M2 - DX20VC0361BA |
| M3 - DX20VC0481BA |
| M4 - DX20VC0601BA |

# Base Pan, Compressor and Tubing



# Base Pan, Compressor and Tubing

| Ref. Part No:   | No:           | Description:                        | Ref. Part No: | No: | Description: |
|-----------------|---------------|-------------------------------------|---------------|-----|--------------|
| <b>Image 1:</b> |               |                                     |               |     |              |
| 21              | 0151R00078    | BASE VALVE 3/8"                     |               |     |              |
| 31              | 4PA17856-6    | THERMISTOR HOUSING TUBE             |               |     |              |
| 41              | 0121R00007PNG | BASE PAN, 35.5" PNT                 |               |     |              |
| 51              | 0156R00006    | COMPRESSOR 2YC36MXD (M1)            |               |     |              |
| 51              | 0156R00007    | COMPRESSOR 2YC63TXD (M2)            |               |     |              |
| 51              | 0156R00008    | COMPRESSOR 2YC90FXD (M3)            |               |     |              |
| 51              | 0156R00005    | COMPRESSOR JT100GCVDW@SB (M4)       |               |     |              |
| 61              | 0164M00027    | RUBBER GROMMET (M2, M3, M4)         |               |     |              |
| 61              | 0164M00028    | RUBBER GROMMET (M1)                 |               |     |              |
| 71              | 0163R00018    | SCREW-SHOULDER TF (M2, M3, M4)      |               |     |              |
| 71              | 0163R00020    | SCREW-SHOULDER TF (M1)              |               |     |              |
| 91              | 0151L00019    | ACCUMULATOR (M1, M2)                |               |     |              |
| 91              | 0151L00020    | ACCUMULATOR (M3)                    |               |     |              |
| 91              | 0151L00021    | ACCUMULATOR (M4)                    |               |     |              |
| 101             | 3P357142-1    | OIL SEPARATOR                       |               |     |              |
| 141             | 0160M00007    | COMPRESSOR BLANKET (M1)             |               |     |              |
| 141             | 0160M00008    | COMPRESSOR BLANKET (M3)             |               |     |              |
| 141             | 0160M00009    | COMPRESSOR BLANKET (M4)             |               |     |              |
| 141             | 0160M00010    | COMPRESSOR BLANKET (M2)             |               |     |              |
| 181             | 3S481010-1    | PRESSURE SENSOR                     |               |     |              |
| 191             | 0151R00097    | 3/4" BALL VALVE (M1)                |               |     |              |
| 191             | 0151R00081    | 7/8" BALL VALVE (M2, M3, M4)        |               |     |              |
| 201             | 3P381424-2    | HIGH PRESSURE SWITCH                |               |     |              |
| NS              | 0163R00023    | ACCUMULATOR, NUT                    |               |     |              |
| NS              | 4SA27006-1    | CHECK VALVE (M1)                    |               |     |              |
| NS              | 4SA27011-1    | CHECK VALVE (M2, M3)                |               |     |              |
| NS              | 0159R00012    | COMPRESSOR WIRE HARNESS (M1, M2)    |               |     |              |
| NS              | 0159R00013    | COMPRESSOR WIRE HARNESS (M3)        |               |     |              |
| NS              | 0159R00014    | COMPRESSOR WIRE HARNESS (M4)        |               |     |              |
| NS              | 3P130357-15   | CRANKCASE HEATER (M4)               |               |     |              |
| NS              | 4PA38890-1    | MOUNTING SPRING, THERMISTOR (QTY 3) |               |     |              |
| NS              | R3269031-3    | OIL RETURN FILTER (M4)              |               |     |              |
| NS              | 4PA17856-4    | THERMISTOR HOUSING TUBE             |               |     |              |

## Expanded Model Nomenclature

|                   |
|-------------------|
| M1 - DX20VC0241BA |
| M2 - DX20VC0361BA |
| M3 - DX20VC0481BA |
| M4 - DX20VC0601BA |