
DX18TC 2-Stage Remote Condensing Unit

DX18TC0241BA
DX18TC0241BB
DX18TC0361BA
DX18TC0361BB
DX18TC0481BA
DX18TC0481BB
DX18TC0481BC
DX18TC0601BA
DX18TC0601BB



This manual is to be used by qualified technicians only.

This manual replaces RP-D4324B.

Important Information

Index

Functional Parts List	3
Illustration and Parts	4 - 9

Views shown are for parts illustrations only, not servicing procedures.

Text Codes:

AR - As Required

NA - Not Available

NS - Not Shown

00000000 - See Note

QTY - Quantity Example (QTY 3) (If Quantity not shown, Quantity = 1)

M - Model Example (M1) (If M Code not shown, then part is used on all Models)

Expanded Model Nomenclature:

Example
M1 - Model#1
M2 - Model#2
M3 - Model#3

Daikin Manufacturing Company, L.P. is not responsible for personal injury or property damage resulting from improper service. Review all service information before beginning repairs.

Warranty service must be performed by an authorized technician, using authorized factory parts. If service is required after the warranty expires, Daikin Manufacturing Company, L.P. also recommends contacting an authorized technician and using authorized factory parts.

Daikin Manufacturing Company, L.P. reserves the right to discontinue, or change at any time, specifications or designs without notice or without incurring obligations.

For assistance within the U.S.A. contact:

Homeowner Support
Daikin North America, LLC
19001 Kermier Road
Waller, Texas 77484
855-770-5678-Telephone
713-863-2382-Facsimile

For assistance outside the U.S.A. contact:

International Division
Daikin North America, LLC
19001 Kermier Road
Waller, Texas 77484
713-861-2500-Telephone
713-863-2382-Facsimile

Functional Parts

Part

No: Description:

0151R00079	BASE VALVE 3/4" (M1, M2, M3, M4)
0151R00167	BASE VALVE 3/8"
0151R00080	BASE VALVE 7/8" (M5, M6, M7, M8, M9)
CAP050350440CS	CAP, 5/35 MFD/440V/DUAL RD (M1, M2, M5, M6, M7)
CAP050400440CT	CAP, 5/40 MFD/440V/DUAL RD (M3, M4)
CAP050450440CT	CAP, 5/45 MFD/440V/DUAL RD (M8, M9)
ZPS49K6EPFV130	COMP 49000,208/230/60/1 (M8, M9)
ZPS19K6EPFV130	COMP, 19000,208/230/60/1 (M1, M2)
ZPS29K6EPFV130	COMP, 29000,208/230/60/1 (M3, M4)
ZPS40K6EPFV130	COMP, 40000,208/230/60/1 (M5, M6, M7)
0130R00003	CUT-OUT SWITCH, HIGH PRESSURE
0163R00006	HEATER, CRANKCASE 230V, 40W (M1, M2, M3, M4)
0163R00007	HEATER, CRANKCASE 230V, 40W (M5, M6, M7, M8, M9)
0130M00086	LOW PRESSURE SWITCH
0131M00827	MOTOR, ECM (M1, M2, M3, M4)
0131M00804	MOTOR, ECM (M5, M6, M7, M8, M9)
0130M00054	OUTDOOR AIR TEMP SENSOR
PCBGR103	PCB, CONTROL, 2 STG, AC (M1, M3, M5, M6, M8)
0130R00069	SHARED DATA (M1)
0130R00072	SHARED DATA (M3)
0130R00075	SHARED DATA (M5, M6)
0130R00078	SHARED DATA (M8)
0130R00137	SHARED DATA (M2)
0130R00138	SHARED DATA (M4)
0130R00139	SHARED DATA (M7)
0130R00140	SHARED DATA (M9)
0130M00138	TRANSFORMER (M2, M4, M7, M9)

SPECIAL PARTS

0161R00095	CAP, GRILL
0161R00093	NAMEPLATE, DAIKIN

Expanded Model Nomenclature

M1 - DX18TC0241BA
M2 - DX18TC0241BB
M3 - DX18TC0361BA
M4 - DX18TC0361BB
M5 - DX18TC0481BA
M6 - DX18TC0481BB
M7 - DX18TC0481BC
M8 - DX18TC0601BA
M9 - DX18TC0601BB

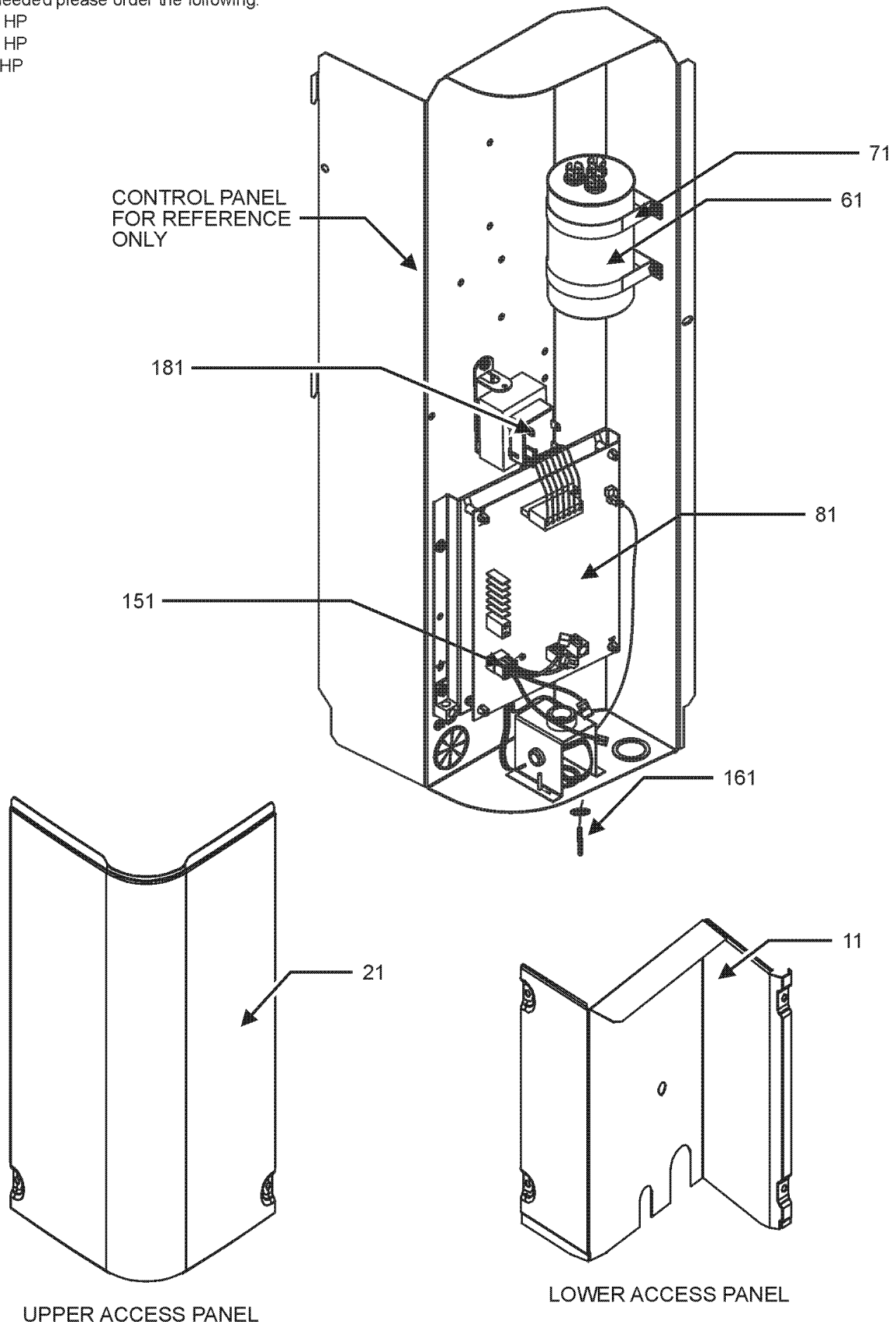
Control Box Assembly

*If end bells are needed please order the following:

0131M00182 - 1/2 HP

0131M00183 - 3/4 HP

0131M00184 - 1 HP



Control Box Assembly

Ref. Part No:	Part No:	Description:	Ref. Part No:	Part No:	Description:
---------------	----------	--------------	---------------	----------	--------------

Image 1:

11	0121R00324PNG	LOWER ACCESS PANEL (M1, M2, M3, M4)
11	0121R00662PNG	LOWER ACCESS PANEL (M5, M6, M7, M8, M9)
21	0121R00054PNG	CONTROL COVER
61	CAP050350440CS	CAP, 5/35 MFD/440V/DUAL RD (M1, M2, M5, M6, M7)
61	CAP050400440CT	CAP, 5/40 MFD/440V/DUAL RD (M3, M4)
61	CAP050450440CT	CAP, 5/45 MFD/440V/DUAL RD (M8, M9)
71	0121R00213	CAPACITOR STRAP (QTY 2)
81	PCBGR103	PCB, CONTROL, 2 STG, AC (M1, M3, M5, M6, M8)
151	0159R00011	WIRE ASSEMBLY, ECM MOTOR
161	0130M00054	OUTDOOR AIR TEMP SENSOR
181	0130M00138	TRANSFORMER (M2, M4, M7, M9)
NS	0161R00093	NAMEPLATE, DAIKIN
NS	0130R00069	SHARED DATA (M1)
NS	0130R00072	SHARED DATA (M3)
NS	0130R00075	SHARED DATA (M5, M6)
NS	0130R00078	SHARED DATA (M8)
NS	0130R00137	SHARED DATA (M2)
NS	0130R00138	SHARED DATA (M4)
NS	0130R00139	SHARED DATA (M7)
NS	0130R00140	SHARED DATA (M9)

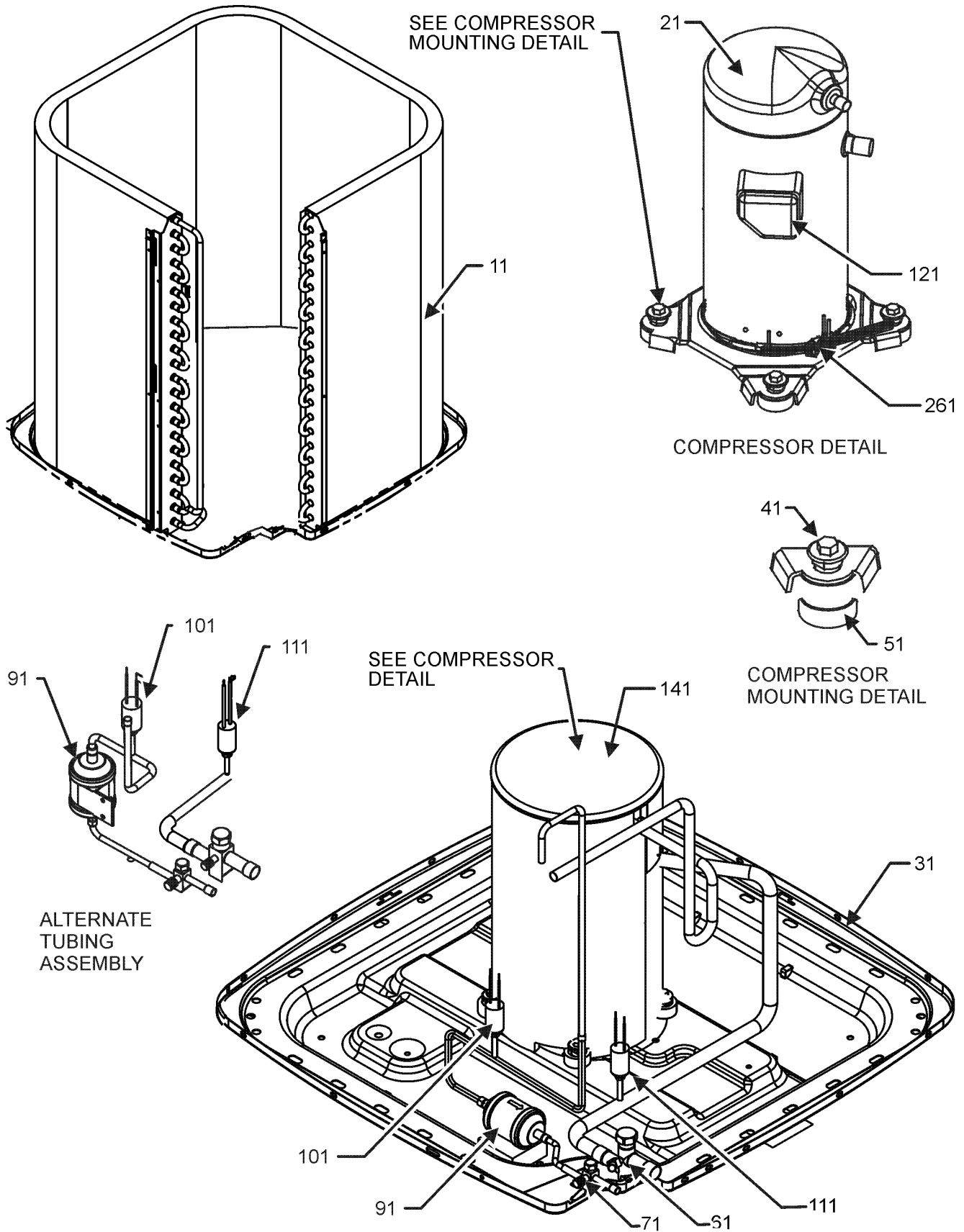
Expanded Model Nomenclature

- | |
|-------------------|
| M1 - DX18TC0241BA |
| M2 - DX18TC0241BB |
| M3 - DX18TC0361BA |
| M4 - DX18TC0361BB |
| M5 - DX18TC0481BA |
| M6 - DX18TC0481BB |
| M7 - DX18TC0481BC |
| M8 - DX18TC0601BA |
| M9 - DX18TC0601BB |

*If end bells are needed please order the following:

- 0131M00182 - 1/2 HP
- 0131M00183 - 3/4 HP
- 0131M00184 - 1 HP

Compressor and Tubing Assembly



Compressor and Tubing Assembly

Ref. Part No:	Ref. Part No:	Description:	Description:
---------------	---------------	--------------	--------------

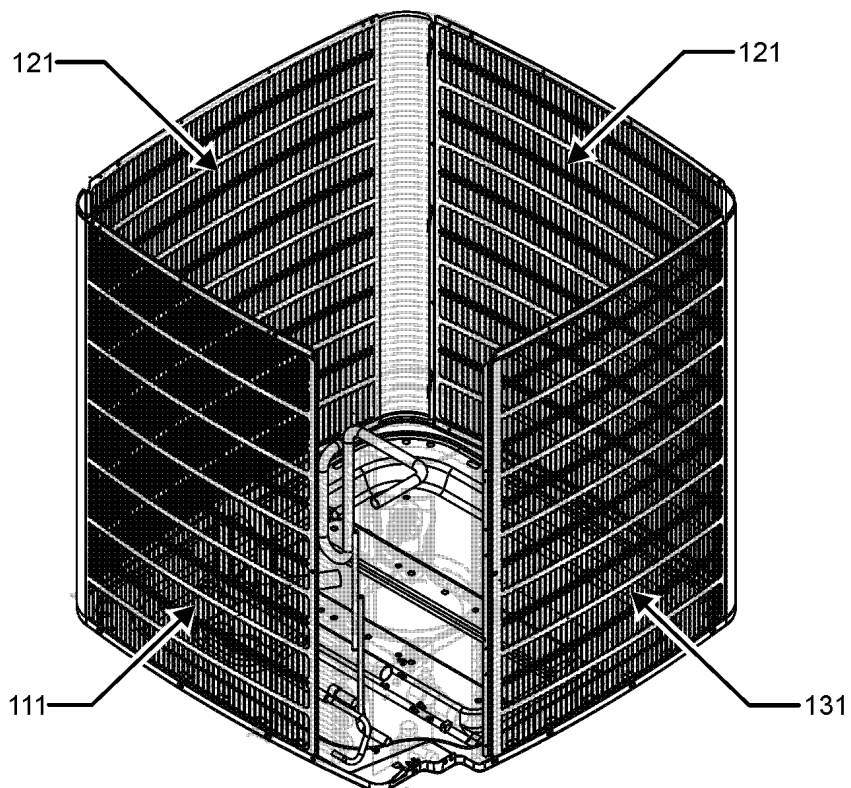
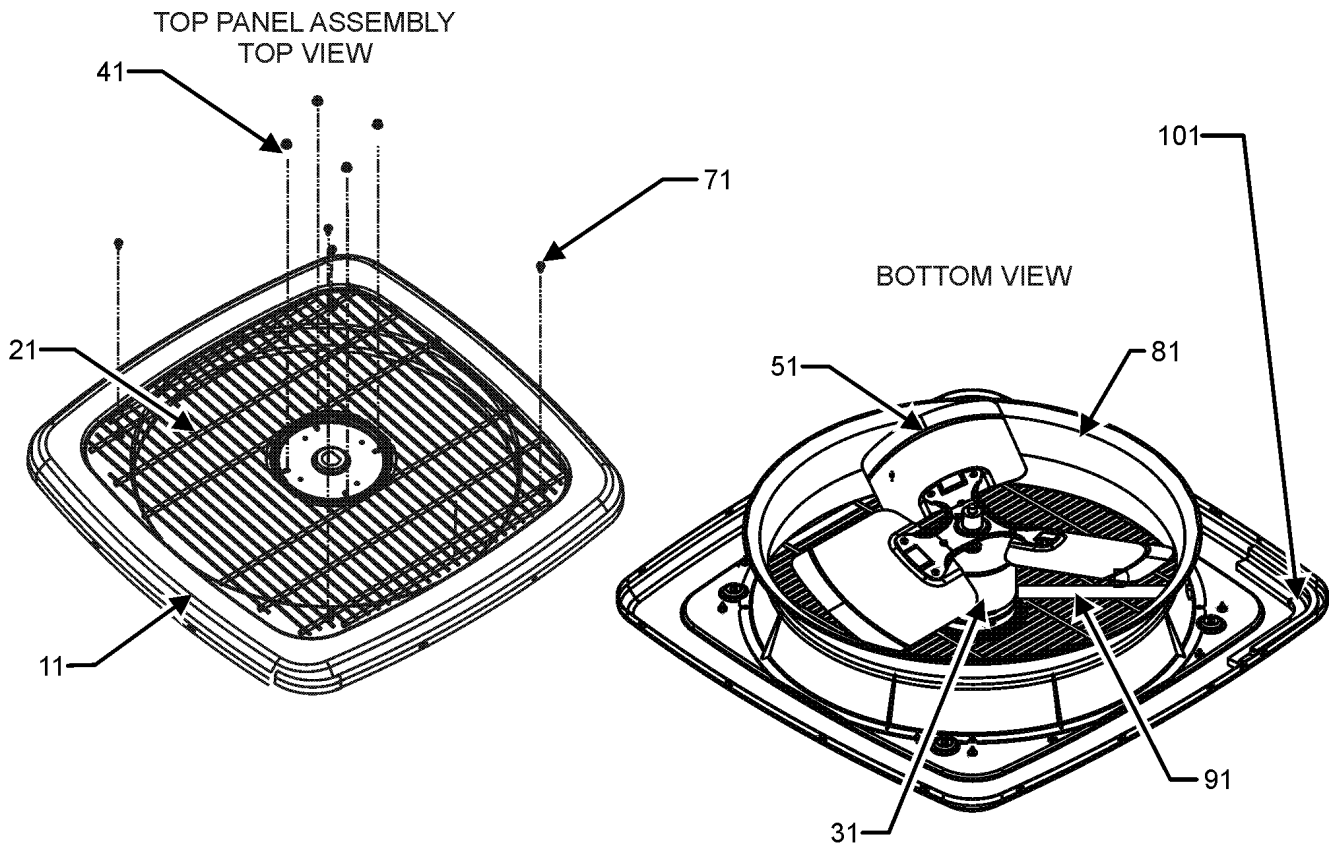
Image 1:

11	0201R00433	COIL TUBING ASSY (M1, M2, M3, M4)
11	0201R00692	COIL TUBING ASSY (M5, M6, M7, M8, M9)
21	ZPS49K6EPFV130	COMP 49000,208/230/60/1 (M8, M9)
21	ZPS19K6EPFV130	COMP, 19000,208/230/60/1 (M1, M2)
21	ZPS29K6EPFV130	COMP, 29000,208/230/60/1 (M3, M4)
21	ZPS40K6EPFV130	COMP, 40000,208/230/60/1 (M5, M6, M7)
31	0121R00007PNG	BASE PAN, 35.5" PNT
41	M0221641	TF SHOULDER SCREW (QTY 4)
51	B1339533	GROMMET, COMPRESSOR (SCROLL & (QTY 4)
61	0151R00079	BASE VALVE 3/4" (M1, M2, M3, M4)
61	0151R00080	BASE VALVE 7/8" (M5, M6, M7, M8, M9)
71	0151R00167	BASE VALVE 3/8"
91	0162R00009	FILTER DRIER
101	0130R00003	CUT-OUT SWITCH, HIGH PRESSURE
111	0130M00086	LOW PRESSURE SWITCH
121	0159R00009	COMPRESSOR SCROLL HARNESS
141	B1488806	COMPRESSOR SOUND BLANKET (M5, M6, M7, M8, M9)
141	B1488810	COMPRESSOR SOUND BLANKET (M1, M2, M3, M4)
261	0163R00006	HEATER, CRANKCASE 230V, 40W (M1, M2, M3, M4)
261	0163R00007	HEATER, CRANKCASE 230V, 40W (M5, M6, M7, M8, M9)
NS	0130M00005P	WIRE HARNESS, COMPR SOLENOID

Expanded Model Nomenclature

- | |
|-------------------|
| M1 - DX18TC0241BA |
| M2 - DX18TC0241BB |
| M3 - DX18TC0361BA |
| M4 - DX18TC0361BB |
| M5 - DX18TC0481BA |
| M6 - DX18TC0481BB |
| M7 - DX18TC0481BC |
| M8 - DX18TC0601BA |
| M9 - DX18TC0601BB |

Top and Louver Side Panel Assembly



LOUVER PANEL ASSEMBLY

Top and Louver Side Panel Assembly

Ref. Part No:	Part No:	Description:	Ref. Part No:	Part No:	Description:
---------------	----------	--------------	---------------	----------	--------------

Image 1:

11	0121R00577PNG	TOP PANEL 35"			
21	0152R00019	GRILL, WIRE 35" TOP			
31	0131M00804	MOTOR, ECM (M5, M6, M7, M8, M9)			
31	0131M00827	MOTOR, ECM (M1, M2, M3, M4)			
41	M0280801	HEX NUT (QTY 4)			
51	0150M00054	FAN BLADE, 26"			
71	0163M00003P	SCREW #10 X 1/2, A, SLOT, SR, BLACK (QTY 6)			
81	0161R00049	VENTURI 26" MOLDED RING			
91	0163M00385	CONDUIT, FLEXIBLE			
101	0154R00006	GASKET, CONTROL PANEL			
111	0121R00240PNG	LOUVER, SIDE PANEL BENT (M1, M2, M3, M4)			
111	0121R00601PNG	PANEL 1, BENT LOUVER 35_39.84 (M5, M6, M7, M8, M9)			
121	0121R00244PNG	LOUVER, SIDE PANEL, BENT (M1, M2, M3, M4)			
121	0121R00514PNG	PANEL 2, BENT LOUVER 35_39.84 (M5, M6, M7, M8, M9)			
131	0121R00248PNG	LOUVER, SIDE PANEL, PNT (M1, M2, M3, M4)			
131	0121R00603PNG	PANEL 3, LOUVER 35_39.84 PNT (M5, M6, M7, M8, M9)			
NS	0161R00095	CAP, GRILL			

Expanded Model Nomenclature

M1 - DX18TC0241BA
M2 - DX18TC0241BB
M3 - DX18TC0361BA
M4 - DX18TC0361BB
M5 - DX18TC0481BA
M6 - DX18TC0481BB
M7 - DX18TC0481BC
M8 - DX18TC0601BA
M9 - DX18TC0601BB