
DX16TC 2-Stage Remote Condensing Unit

DX16TC0241CA
DX16TC0241CB
DX16TC0361CA
DX16TC0361CB
DX16TC0361CC
DX16TC0481CA
DX16TC0481CB
DX16TC0481CC
DX16TC0601CA
DX16TC0601CB



This manual is to be used by qualified technicians only.

This manual replaces RP-D4328A.

Important Information

Index

Functional Parts List	3
Illustration and Parts	4 - 9

Views shown are for parts illustrations only, not servicing procedures

Text Codes:

AR - As Required

NA - Not Available

NS - Not Shown

00000000 - See Note

QTY - Quantity Example (QTY 3) (If Quantity not shown, Quantity = 1)

M - Model Example (M1) (If M Code not shown, then part is used on all Models)

Expanded Model Nomenclature:

Example M1 - Model#1 M2 - Model#2 M3 - Model#3

Daikin Manufacturing Company, L.P. is not responsible for personal injury or property damage resulting from improper service. Review all service information before beginning repairs.

Warranty service must be performed by an authorized technician, using authorized factory parts. If service is required after the warranty expires, Daikin Manufacturing Company, L.P. also recommends contacting an authorized technician and using authorized factory parts.

Daikin Manufacturing Company, L.P. reserves the right to discontinue, or change at any time, specifications or designs without notice or without incurring obligations.

For assistance within the U.S.A. contact:

Homeowner Support
Daikin North America, LLC
19001 Kermier Road
Waller, Texas 77484
855-770-5678-Telephone
713-863-2382-Facsimile

For assistance outside the U.S.A. contact:

International Division
Daikin North America, LLC
19001 Kermier Road
Waller, Texas 77484
713-861-2500-Telephone
713-863-2382-Facsimile

Functional Parts

Part

No: Description:

0151R00079	BASE VALVE 3/4" (M1, M2, M3, M4, M5)
0151R00167	BASE VALVE 3/8"
0151R00080	BASE VALVE 7/8" (M6, M7, M8, M9, M10)
CAP050350440CS	CAPACITOR 5/35/440V (M1, M2, M6, M7, M8)
CAP050400440CT	CAPACITOR 5/40/440V/DUAL RD (M3, M4, M5)
CAP050450440CT	CAPACITOR 5/45/440V/DUAL RD (M9, M10)
ZPS49K6EPFV130	COMP 49000,208/230/60/1 (M9, M10)
ZPS19K6EPFV130	COMP, 19000,208/230/60/1 (M1, M2)
ZPS29K6EPFV130	COMP, 29000,208/230/60/1 (M3, M4, M5)
ZPS40K6EPFV130	COMP, 40000,208/230/60/1 (M6, M7, M8)
0130R00003	CUT-OUT SWITCH, HIGH PRESSURE
0163R00007	HEATER, CRANKCASE 230V, 40W (M6, M7, M8, M9, M10)
0130M00086	LOW PRESSURE SWITCH
0131M00295	MOTOR 1/6 HP 2SP 8PL (M3, M4, M6, M7)
0131M00866	MOTOR, 1/5 HP, 2SP, 8PL (M5, M8)
0131M00117	MOTOR, 1/6HP, 2SP, 8PL (M1, M2)
0131M00804	MOTOR, ECM (M9, M10)
0130M00054	OUTDOOR AIR TEMP SENSOR
PCBGR104	PCB, CONTROL (M2, M4, M5, M7, M8, M10)
PCBGR103	PCB, CONTROL, 2 STG, AC (M1, M3, M6, M9)
0130R00128	SHARED DATA (M10)
0130R00081	SHARED DATA (M1)
0130R00084	SHARED DATA (M3)
0130R00087	SHARED DATA (M6)
0130R00090	SHARED DATA (M9)
0130R00125	SHARED DATA (M2)
0130R00126	SHARED DATA (M4, M5)
0130R00127	SHARED DATA (M7, M8)
0130M00138	TRANSFORMER, 208/230, 24V (M2, M4, M5, M7, M8, M10)

SPECIAL PARTS

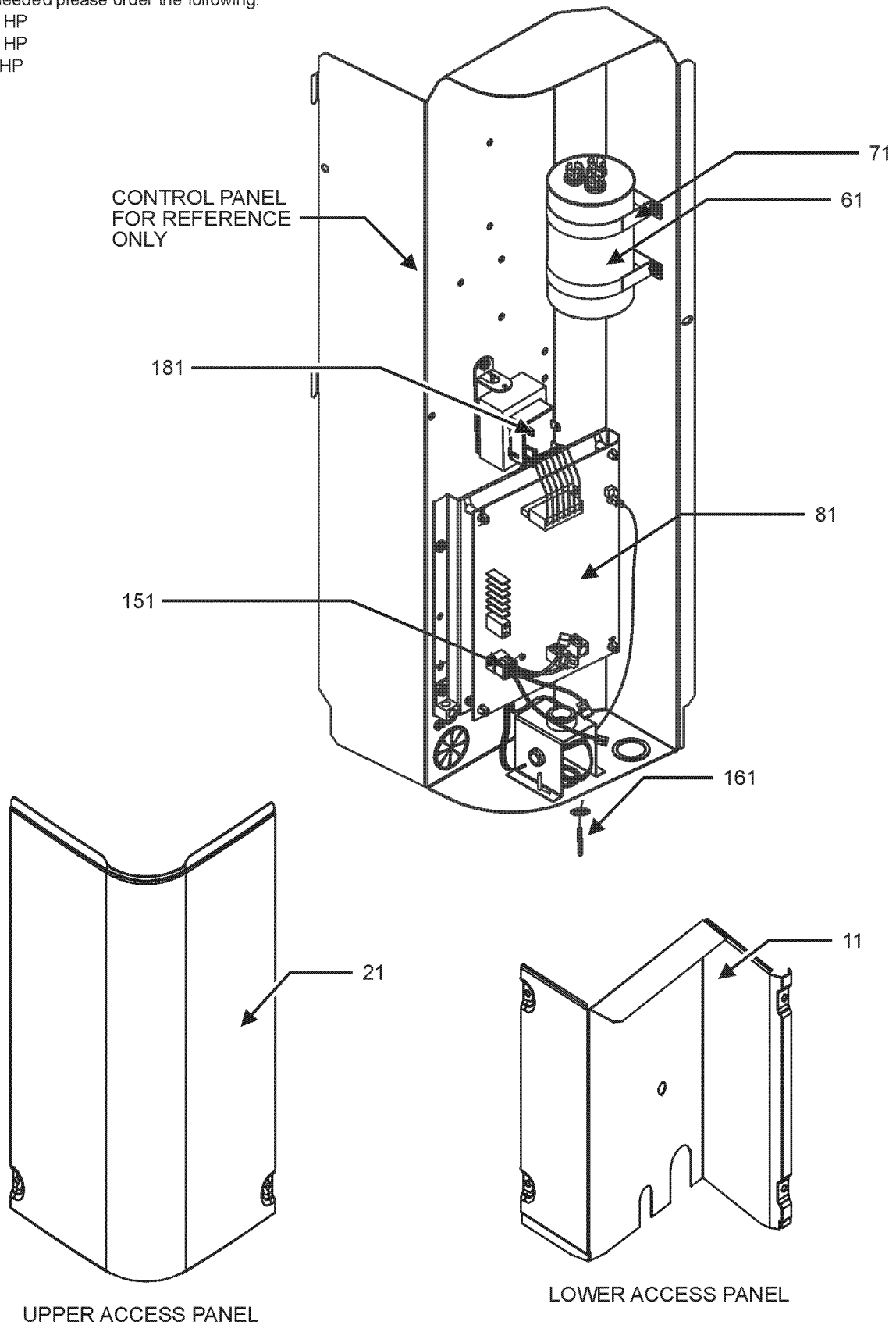
0161R00095	CAP, GRILL
0161R00093	NAMEPLATE, DAIKIN

Expanded Model Nomenclature

M1 - DX16TC0241CA
M2 - DX16TC0241CB
M3 - DX16TC0361CA
M4 - DX16TC0361CB
M5 - DX16TC0361CC
M6 - DX16TC0481CA
M7 - DX16TC0481CB
M8 - DX16TC0481CC
M9 - DX16TC0601CA
M10 - DX16TC0601CB

Control Box Assembly

*If end bells are needed please order the following:
0131M00182 - 1/2 HP
0131M00183 - 3/4 HP
0131M00184 - 1 HP



Control Box Assembly

Ref. Part No:	Part No:	Description:	Ref. Part No:	Part No:	Description:
---------------	----------	--------------	---------------	----------	--------------

Image 1:

11	0121R00662PNG	LOWER ACCESS PANEL (M9, M10)
11	0121R00663PNG	LOWER ACCESS PANEL (M1, M2)
11	0121R00315PNG	PANEL, LOWER ACCESS PNT (M3, M4, M5)
11	0121R00625PNG	PANEL, LOWER ACCESS PNT (M6, M7, M8)
21	0121R00054PNG	CONTROL COVER, LARGE PNT (M3, M4, M5, M9, M10)
21	0121R00053PNG	CONTROL COVER, SMALL PNT (M1, M2, M6, M7, M8)
61	CAP050350440CS	CAPACITOR 5/35/440V (M1, M2, M6, M7, M8)
61	CAP050400440CT	CAPACITOR 5/40/440V/DUAL RD (M3, M4, M5)
61	CAP050450440CT	CAPACITOR 5/45/440V/DUAL RD (M9, M10)
71	0121R00213	CAPACITOR STRAP (QTY 2)
81	PCBGR104	PCB, CONTROL (M2, M4, M5, M7, M8, M10)
81	PCBGR103	PCB, CONTROL, 2 STG, AC (M1, M3, M6, M9)
151	0259R00008	ASSY, HARNESS (M1, M2, M3, M4, M5, M6, M7, M8)
151	0259R00009	ASSY, HARNESS (M9, M10)
161	0130M00054	OUTDOOR AIR TEMP SENSOR
181	0130M00138	TRANSFORMER, 208/230, 24V (M2, M4, M5, M7, M8, M10)
NS	0161R00093	NAMEPLATE, DAIKIN
NS	0130R00081	SHARED DATA (M1)
NS	0130R00084	SHARED DATA (M3)
NS	0130R00087	SHARED DATA (M6)
NS	0130R00090	SHARED DATA (M9)
NS	0130R00125	SHARED DATA (M2)
NS	0130R00126	SHARED DATA (M4, M5)
NS	0130R00127	SHARED DATA (M7, M8)
NS	0130R00128	SHARED DATA (M10)

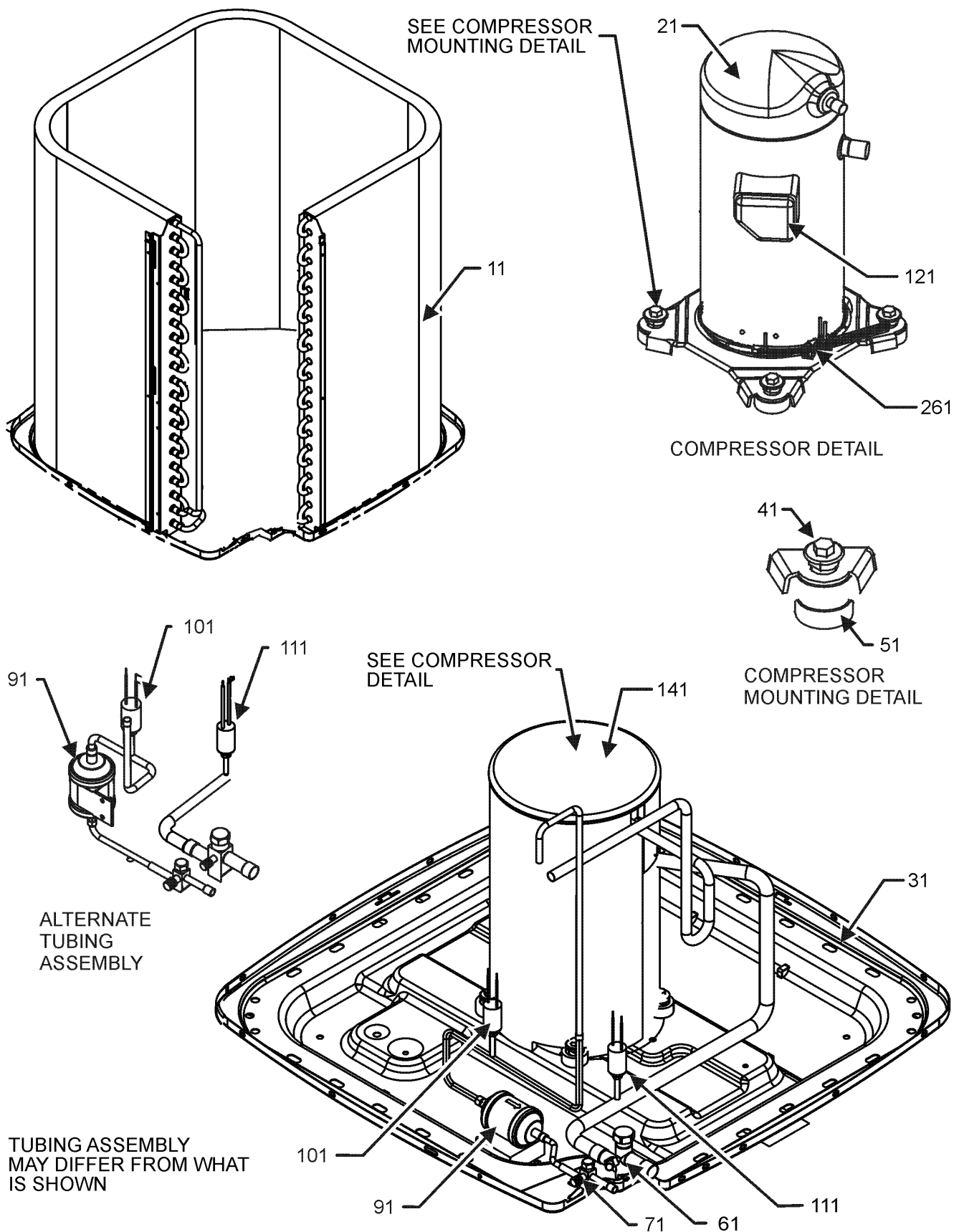
Expanded Model Nomenclature

M1 - DX16TC0241CA
M2 - DX16TC0241CB
M3 - DX16TC0361CA
M4 - DX16TC0361CB
M5 - DX16TC0361CC
M6 - DX16TC0481CA
M7 - DX16TC0481CB
M8 - DX16TC0481CC
M9 - DX16TC0601CA
M10 - DX16TC0601CB

*If end bells are needed please order the following:

0131M00182 - 1/2 HP
 0131M00183 - 3/4 HP
 0131M00184 - 1 HP

Compressor and Tubing Assembly



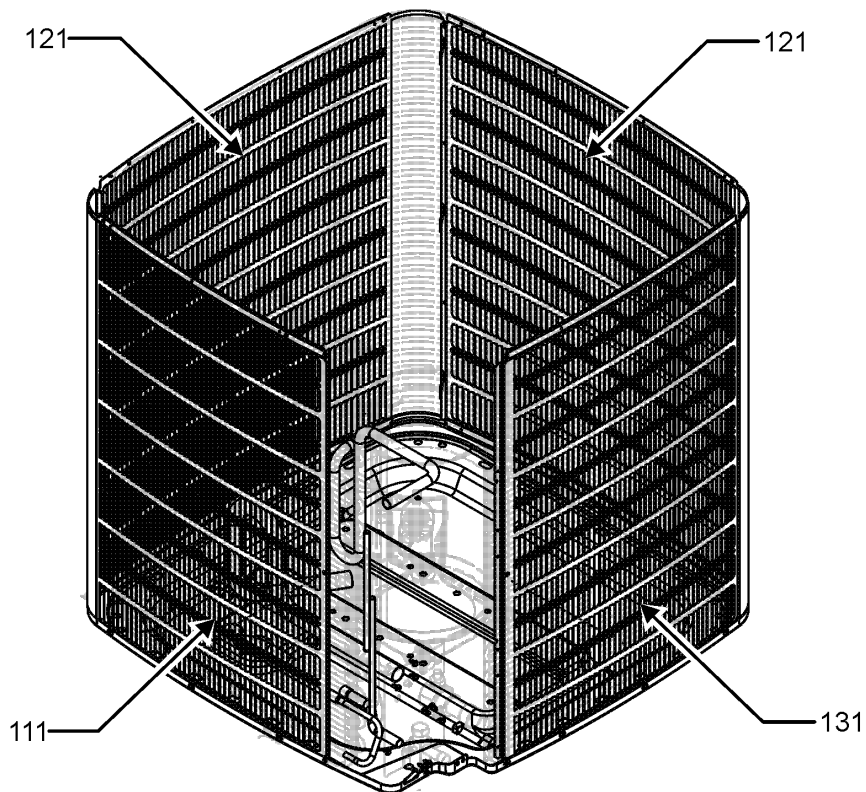
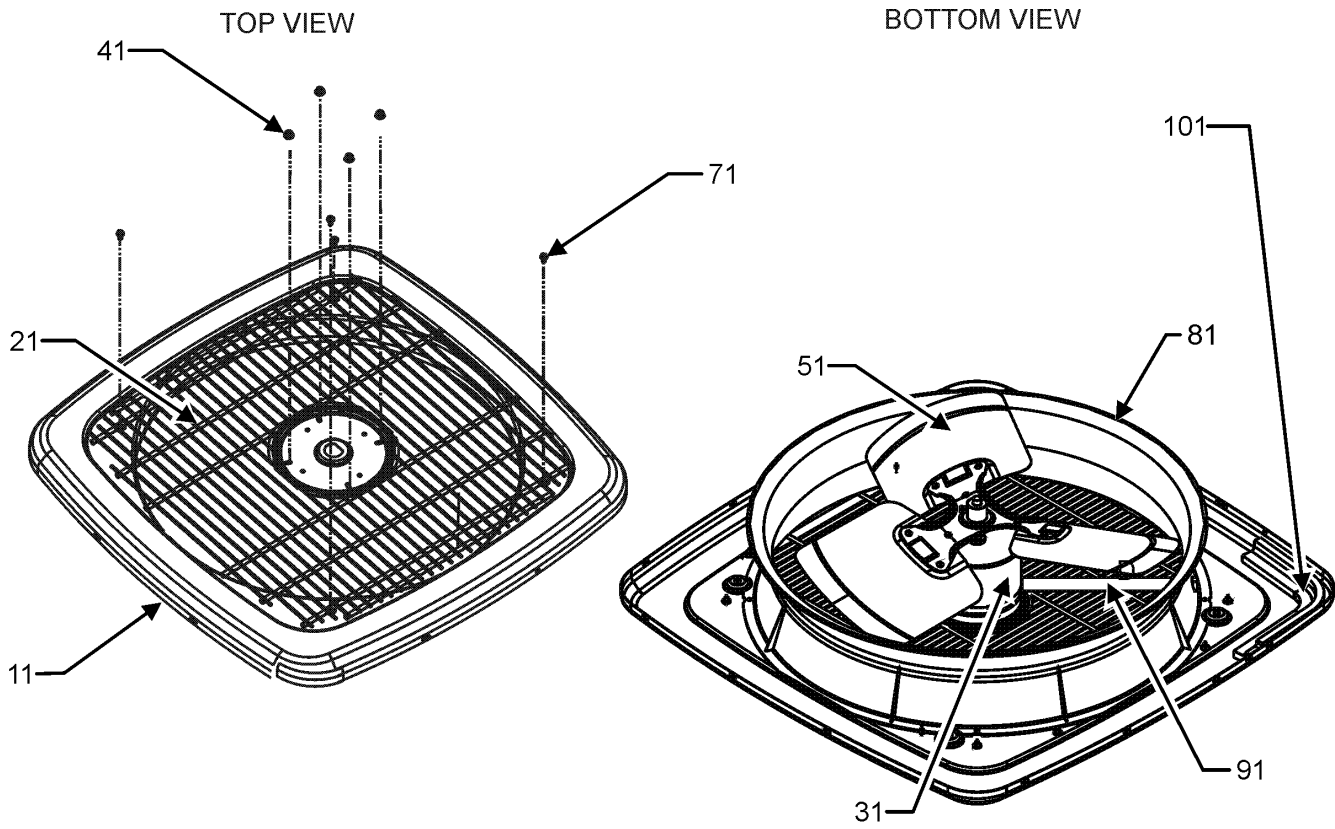
Compressor and Tubing Assembly

Ref. Part No:	Ref. Part No:	Description:	Description:
Image 1:			
11	0201R00296	COIL TUBING ASSY (M1, M2)	
11	0201R00311	COIL TUBING ASSY (M3, M4, M5)	
11	0201R00692	COIL TUBING ASSY (M9)	
11	0201R00697	COIL TUBING ASSY (M6, M7)	
11	0201R00732	COIL TUBING ASSY (M8)	
11	0201R00738	COIL TUBING ASSY (M10)	
21	ZPS49K6EPFV130	COMP 49000,208/230/60/1 (M9, M10)	
21	ZPS19K6EPFV130	COMP, 19000,208/230/60/1 (M1, M2)	
21	ZPS29K6EPFV130	COMP, 29000,208/230/60/1 (M3, M4, M5)	
21	ZPS40K6EPFV130	COMP, 40000,208/230/60/1 (M6, M7, M8)	
31	0121R00006PNG	BASE PAN, 29" PNT (M1, M2)	
31	0121R00007PNG	BASE PAN, 35.5" PNT (M3, M4, M5, M6, M7, M8, M9, M10)	
41	M0221641	TF SHOULDER SCREW (QTY 4)	
51	B1339533	GROMMET, COMPRESSOR (SCROLL & (QTY 4)	
61	0151R00079	BASE VALVE 3/4" (M1, M2, M3, M4, M5)	
61	0151R00080	BASE VALVE 7/8" (M6, M7, M8, M9, M10)	
71	0151R00167	BASE VALVE 3/8"	
91	0162R00009	FILTER DRIER	
101	0130R00003	CUT-OUT SWITCH, HIGH PRESSURE	
111	0130M00086	LOW PRESSURE SWITCH	
121	0159R00009	HARNESS, COMP (M3, M4)	
121	0159R00001P	HARNESS, COMP SCROLL 130 42" (M1, M2)	
121	0159R00002P	HARNESS, COMP SCROLL 130 46" (M5, M6, M7, M8, M9, M10)	
141	0160M00035	COMPRESSOR BLANKET (M1, M2, M3, M4, M5)	
141	0160M00038	COMPRESSOR BLANKET (M6, M7, M8, M9, M10)	
261	0163R00007	HEATER, CRANKCASE 230V, 40W (M6, M7, M8, M9, M10)	
NS	0130M00005P	WIRE HARNESS, COMPR SOLENOID	

Expanded Model Nomenclature

- | |
|--------------------|
| M1 - DX16TC0241CA |
| M2 - DX16TC0241CB |
| M3 - DX16TC0361CA |
| M4 - DX16TC0361CB |
| M5 - DX16TC0361CC |
| M6 - DX16TC0481CA |
| M7 - DX16TC0481CB |
| M8 - DX16TC0481CC |
| M9 - DX16TC0601CA |
| M10 - DX16TC0601CB |

Top and Louver Side Panel Assembly



LOUVER PANEL ASSEMBLY

Top and Louver Side Panel Assembly

Ref. Part No: No:	Description:	Ref. Part No: No:	Description:
-------------------	--------------	-------------------	--------------

Image 1:

11	0121R00577PNG	TOP PANEL 35" (M3, M4, M5, M6, M7, M8, M9, M10)
11	0121R00011PNG	TOP PANEL, VENTURI 29" PNT (M1, M2)
21	0152R00019	GRILL, WIRE 35" TOP (M9, M10)
21	0152R00015	GRILLE, WIRE 29" TOP (M1, M2)
21	0152R00016	GRILLE, WIRE 35" TOP (M3, M4, M5, M6, M7, M8)
31	0131M00295	MOTOR 1/6 HP 2SP 8PL (M3, M4, M6, M7)
31	0131M00866	MOTOR, 1/5 HP, 2SP, 8PL (M5, M8)
31	0131M00117	MOTOR, 1/6HP, 2SP, 8PL (M1, M2)
31	0131M00804	MOTOR, ECM (M9, M10)
41	M0280801	HEX NUT (QTY 4)
51	0150M00008	FAN BLADE 22" TNT2203-25 (M1, M2)
51	0150M00054	FAN BLADE, 26" (M3, M4, M5, M6, M7, M8, M9, M10)
71	0163M00003P	SCREW #10 X 1/2, A, SLOT, SR, BLACK (QTY 6)
81	0161R00049	VENTURI 26" MOLDED RING (M3, M4, M5, M6, M7, M8, M9, M10)
91	0161R00069	CONDUIT (M1, M2)
91	0161R00070	CONDUIT (M3, M4, M5, M6, M7, M8)
91	0163M00385	CONDUIT-FLEXIBLE (M9, M10)
101	0154R00006	GASKET, CONTROL PANEL
111	0121R00927PNG	PANEL 1, LOUVER 35_34.64 PNT (M6, M7, M8)
111	0121R00601PNG	PANEL 1, BENT LOUVER 35_39.84 (M9, M10)
111	0121R00200PNG	PANEL 1, BENT LOUVER PNT (M1, M2)
111	0121R00239PNG	PANEL 1, BENT LOUVER PNT (M3, M4, M5)
121	0121R00204PNG	LOUVER, SIDE PANEL (M1, M2)
121	0121R00243PNG	Panel 2, Bent Louver (M3, M4, M5)
121	0121R00514PNG	PANEL 2, BENT LOUVER 35_39.84 (M9, M10)
121	0121R00928PNG	PANEL 2, LOUVER 35_34.64 PNT (M6, M7, M8)
131	0121R00193PNG	LOUVER, SIDE PANEL (M1, M2)
131	0121R00247PNG	PANEL 3, LOUVER 35, 5MM, PNT (M3, M4, M5)
131	0121R00929PNG	PANEL 3, LOUVER 35_34.64 PNT (M6, M7, M8)
131	0121R00603PNG	PANEL 3, LOUVER 35_39.84 PNT (M9, M10)
NS	0161R00095	CAP, GRILL

Expanded Model Nomenclature

- | |
|--------------------|
| M1 - DX16TC0241CA |
| M2 - DX16TC0241CB |
| M3 - DX16TC0361CA |
| M4 - DX16TC0361CB |
| M5 - DX16TC0361CC |
| M6 - DX16TC0481CA |
| M7 - DX16TC0481CB |
| M8 - DX16TC0481CC |
| M9 - DX16TC0601CA |
| M10 - DX16TC0601CB |