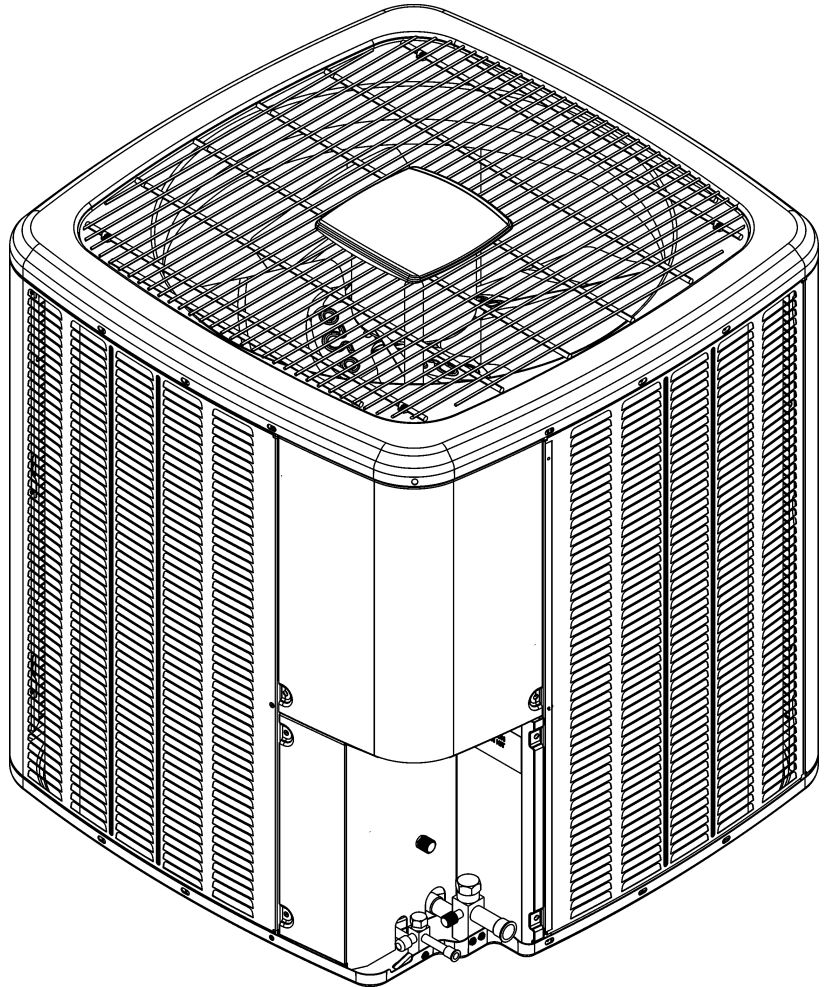


DX16/18TC 2-Stage Remote Condensing Unit

DX16TC0241AA
DX16TC0241AB
DX16TC0241AC
DX16TC0361AA
DX16TC0361AB
DX16TC0481AA
DX16TC0481AB
DX16TC0481AC
DX16TC0601AA
DX16TC0601AB
DX18TC0361AA
DX18TC0361AB
DX18TC0481AA
DX18TC0481AB
DX18TC0601AA
DX18TC0601AB



This manual is to be used by qualified technicians only.

Important Information

Index

Functional Parts List	3
Illustration and Parts	4 - 9

Views shown are for parts illustrations only, not servicing procedures

Text Codes:

AR - As Required

NA - Not Available

NS - Not Shown

00000000 - See Note

QTY - Quantity Example (QTY 3) (If Quantity not shown, Quantity = 1)

M - Model Example (M1) (If M Code not shown, then part is used on all Models)

Expanded Model Nomenclature:

Example M1 - Model#1 M2 - Model#2 M3 - Model#3

Daikin Manufacturing Company, L.P. is not responsible for personal injury or property damage resulting from improper service. Review all service information before beginning repairs.

Warranty service must be performed by an authorized technician, using authorized factory parts. If service is required after the warranty expires, Daikin Manufacturing Company, L.P. also recommends contacting an authorized technician and using authorized factory parts.

Daikin Manufacturing Company, L.P. reserves the right to discontinue, or change at any time, specifications or designs without notice or without incurring obligations.

For assistance within the U.S.A. contact:

Homeowner Support
Daikin North America, LLC
19001 Kermier Road
Waller, Texas 77484
855-770-5678-Telephone
713-863-2382-Facsimile

For assistance outside the U.S.A. contact:

International Division
Daikin North America, LLC
19001 Kermier Road
Waller, Texas 77484
713-861-2500-Telephone
713-863-2382-Facsimile

Functional Parts

Part No: **Description:**

Part No:	Description:	Expanded Model Nomenclature
0151R00079	BASE VALVE 3/4" (M1, M2, M3, M4, M5)	M1 - DX16TC0241AA
0151R00167	BASE VALVE 3/8"	M2 - DX16TC0241AB
0151R00080	BASE VALVE 7/8" (M6, M7, M8, M9, M10, M11, M12, M13, M14, M15, M16)	M3 - DX16TC0241AC
CAP050300440CS	CAP.5/30MFD/440V/DUAL RD (M6, M7, M8, M13, M14)	M4 - DX16TC0361AA
CAP050350440CS	CAPACITOR 5/35/440V (M1, M2, M3)	M5 - DX16TC0361AB
CAP050400440CT	CAPACITOR 5/40/440V/DUAL RD (M4, M5, M9, M10, M11, M12, M15, M16)	M6 - DX16TC0481AA
ZPS20K5EPFV130	COMP, 20000,208/230 (M1, M2, M3)	M7 - DX16TC0481AB
ZPS51K5EPFV130	COMP, 51900/208/230/60/1 (M15, M16)	M8 - DX16TC0481AC
ZPS30K5EPFV130	COMP,30000,208/230 (M4, M5, M11, M12)	M9 - DX16TC0601AA
ZPS40K5EPFV130	COMPRESSOR 41100, 208/230/60/1 (M6, M7, M8, M13, M14)	M10 - DX16TC0601AB
ZPS49K5EPFV130	COMPRESSOR 49100, 208/230/60/1 (M9, M10)	M11 - DX18TC0361AA
0130R00003	CUT-OUT SWITCH, HIGH PRESSURE (M1, M2, M3, M4, M5, M9, M10, M11, M12, M13, M14, M15, M16)	M12 - DX18TC0361AB
0131M00761	ECM MOTOR - PROGRAMMED (IGBT) (M11, M12, M13, M14, M15, M16)	M13 - DX18TC0481AA
0163R00006	HEATER, CRANKCASE 230V, 40W (M11, M12)	M14 - DX18TC0481AB
0163R00007	HEATER, CRANKCASE 230V, 40W (M9, M10, M13, M14, M15, M16)	M15 - DX18TC0601AA
0130M00086	LOW PRESSURE SWITCH	M16 - DX18TC0601AB
0131M00295	MOTOR 1/6 HP 2SP 8PL (M6, M7, M8, M9, M10)	
0131M00118	MOTOR, 1/6HP, 2SP, 8PL (M4, M5)	
0131M00117	MOTOR, 1/6HP, 2SP, 8PL (M1, M2, M3)	
0130M00054	OUTDOOR AIR TEMP SENSOR	
PCBGR103	PCB, CONTROL, 2 STG, AC	
0130R00017	SHARED DATA (M15, M16)	
0130R00013	SHARED DATA (M13, M14)	
0130R00044	SHARED DATA (M9, M10)	
0130R00040	SHARED DATA (M6, M7, M8)	
0130R00039	SHARED DATA (M4, M5)	
0130R00038	SHARED DATA (M1, M2, M3)	
0130R00019	SHARED DATA (M11, M12)	

SPECIAL PARTS

0161R00038 GRILL CAP
 0161R00036 NAMEPLATE, DAIKIN

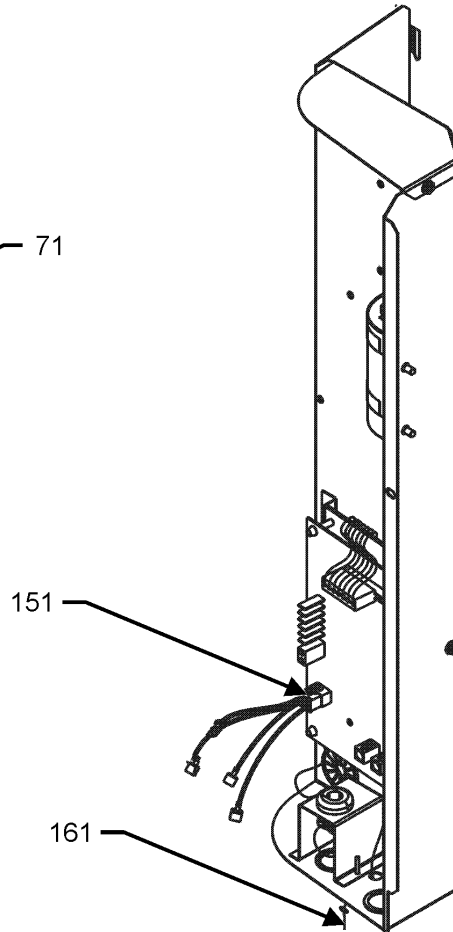
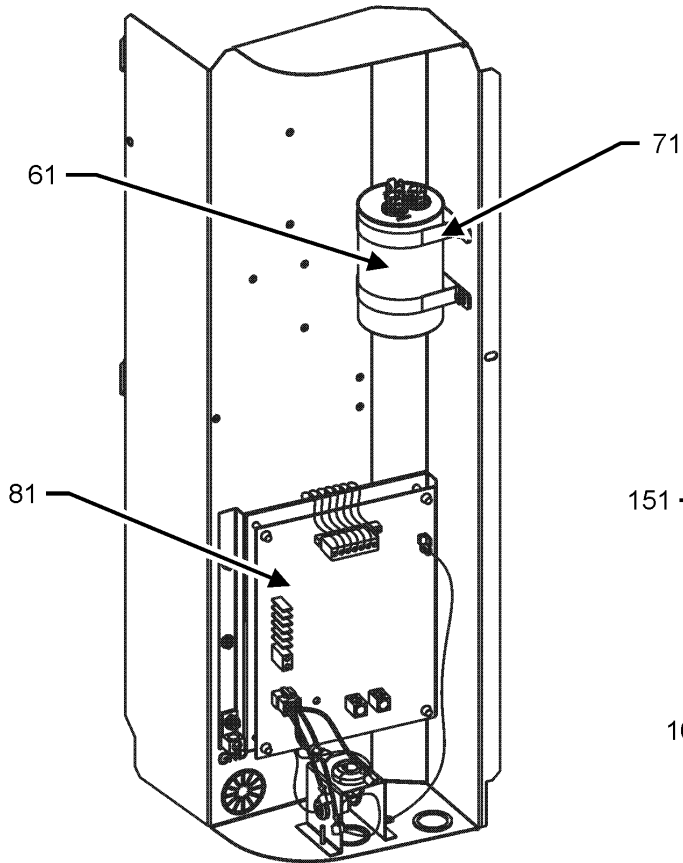
Control Box Assembly

*If end bells are needed please order the following:

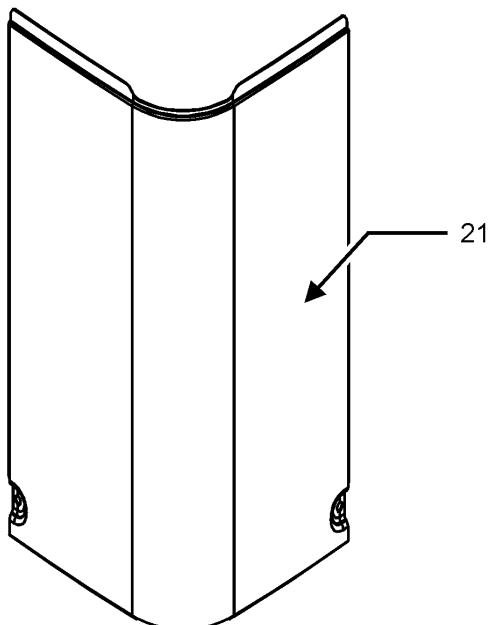
0131M00182 - 1/2 HP

0131M00183 - 3/4 HP

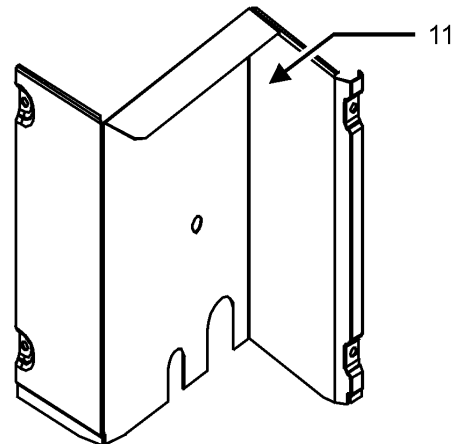
0131M00184 - 1 HP



CONTROL PANEL
SIDE VIEW



UPPER ACCESS PANEL



LOWER ACCESS PANEL

Control Box Assembly

Ref. Part No:	No:	Description:	Ref. Part No:	No:	Description:
Image 1:					
11	0121R00663PNG	LOWER ACCESS PANEL (M1, M2, M3, M4, M5)			
11	0121R00315PNG	PANEL, LOWER ACCESS PNT (M6, M7, M8)			
11	0121R00317PNG	PANEL, LOWER ACCESS PNT (M9, M10, M11, M12, M13, M14, M15, M16)			
21	0121R00053PNG	CONTROL COVER (M1, M2, M3, M4, M5)			
21	0121R00054PNG	CONTROL COVER (M6, M7, M8, M9, M10, M11, M12, M13, M14, M15, M16)			
61	CAP050300440CS	CAP,5/30MFD/440V/DUAL RD (M6, M7, M8, M13, M14)			
61	CAP050350440CS	CAPACITOR 5/35/440V (M1, M2, M3)			
61	CAP050400440CT	CAPACITOR 5/40/440V/DUAL RD (M4, M5, M9, M10, M11, M12, M15, M16)			
71	0121R00213	CAPACITOR STRAP (QTY 2)			
81	PCBGR103	PCB, CONTROL, 2 STG, AC			
151	0159R00011	WIRE ASSEMBLY, ECM MOTOR (M11, M12, M13, M14, M15, M16)			
151	0159R00010	WIRE ASSEMBLY, PSC MOTOR (M1, M2, M3, M4, M5, M6, M7, M8, M9, M10)			
161	0130M00054	OUTDOOR AIR TEMP SENSOR			
NS	0161R00036	NAMEPLATE, DAIKIN			
NS	0130R00013	SHARED DATA (M13, M14)			
NS	0130R00017	SHARED DATA (M15, M16)			
NS	0130R00019	SHARED DATA (M11, M12)			
NS	0130R00038	SHARED DATA (M1, M2, M3)			
NS	0130R00039	SHARED DATA (M4, M5)			
NS	0130R00040	SHARED DATA (M6, M7, M8)			
NS	0130R00044	SHARED DATA (M9, M10)			

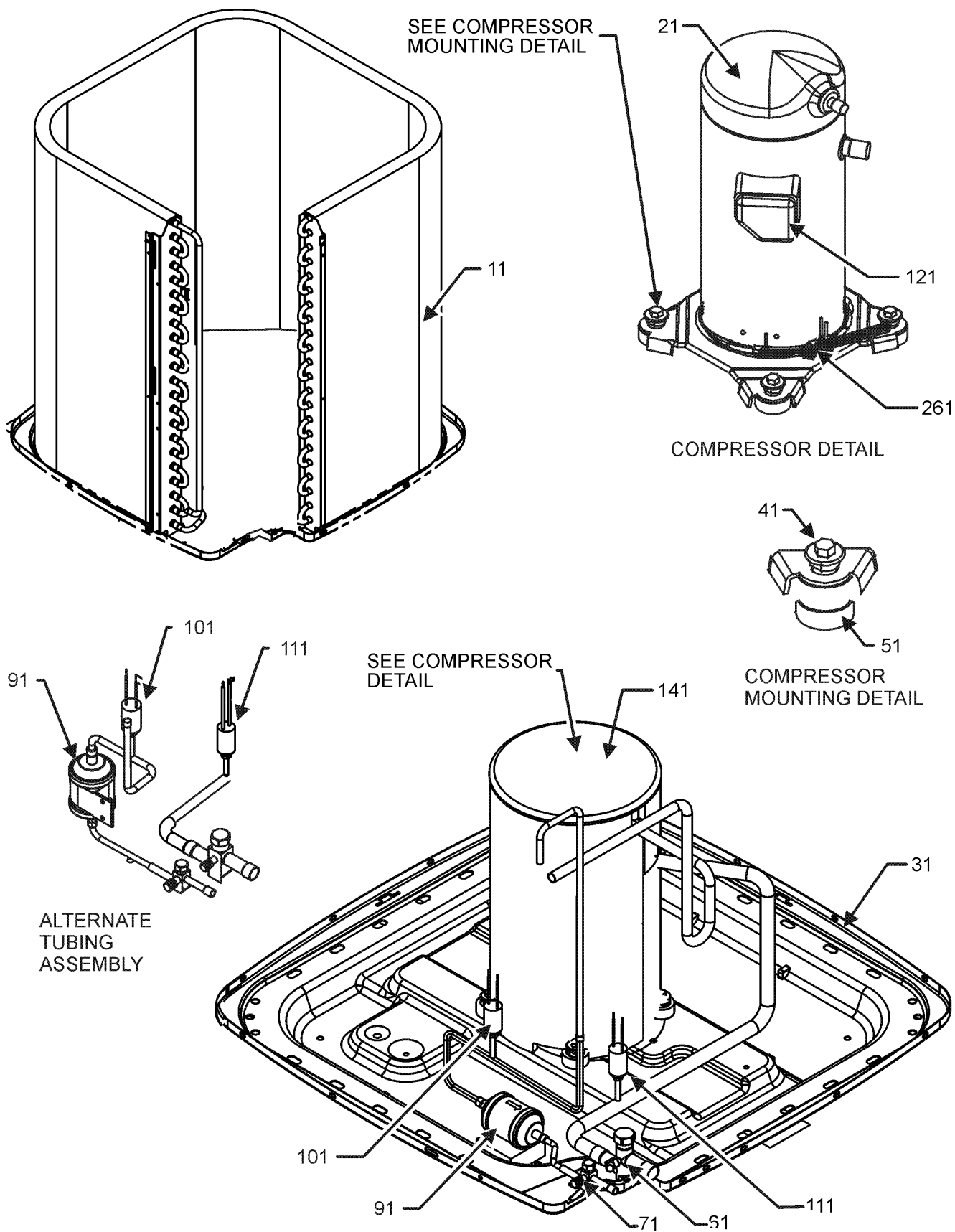
Expanded Model Nomenclature

M1 - DX16TC0241AA
M2 - DX16TC0241AB
M3 - DX16TC0241AC
M4 - DX16TC0361AA
M5 - DX16TC0361AB
M6 - DX16TC0481AA
M7 - DX16TC0481AB
M8 - DX16TC0481AC
M9 - DX16TC0601AA
M10 - DX16TC0601AB
M11 - DX18TC0361AA
M12 - DX18TC0361AB
M13 - DX18TC0481AA
M14 - DX18TC0481AB
M15 - DX18TC0601AA
M16 - DX18TC0601AB

*If end bells are needed please order the following:

0131M00182 - 1/2 HP
 0131M00183 - 3/4 HP
 0131M00184 - 1 HP

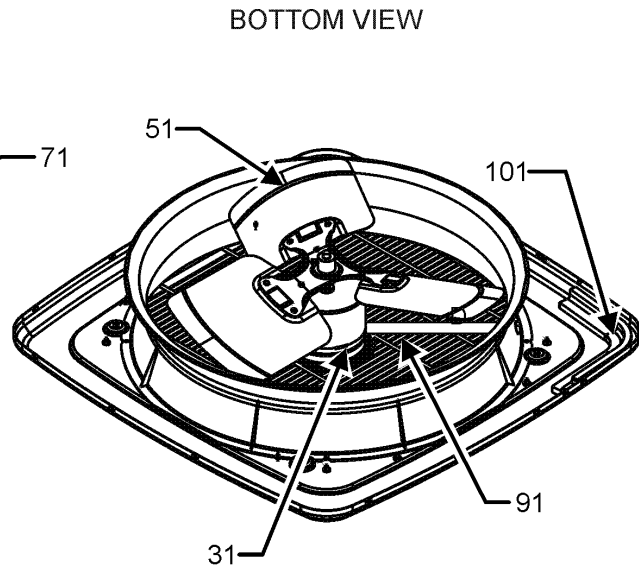
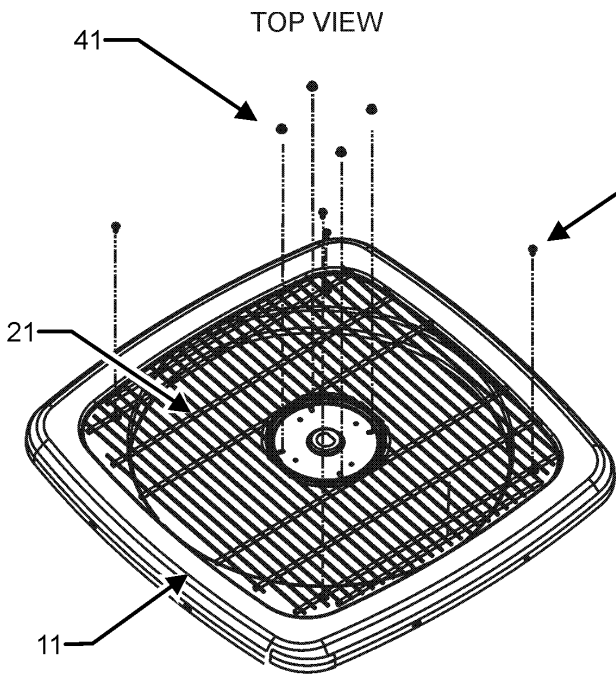
Compressor and Tubing Assembly



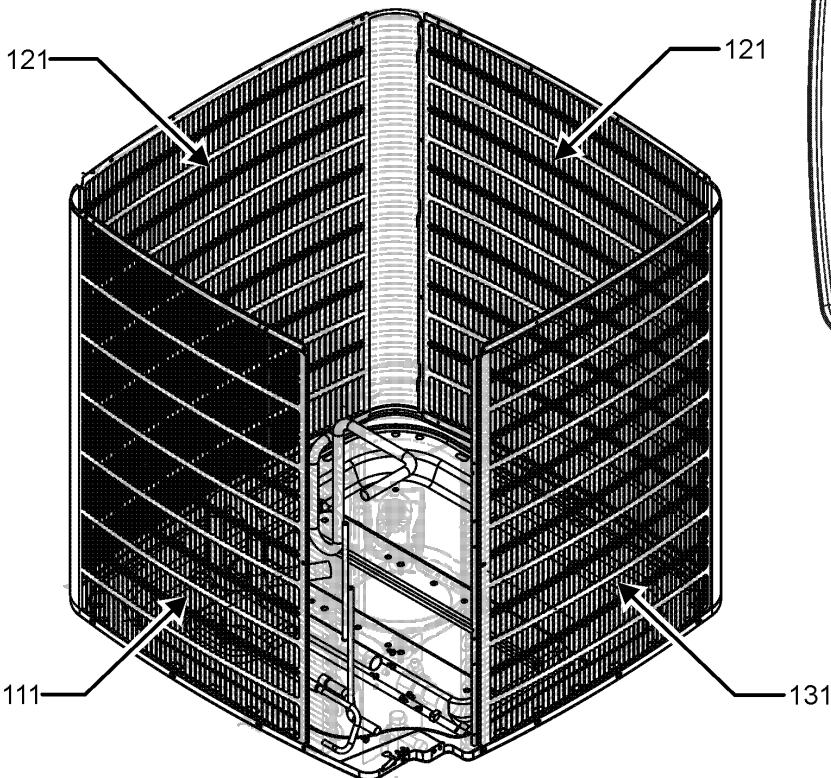
Compressor and Tubing Assembly

Ref. Part No: No:	Description:	Ref. Part No: No:	Description:
<i>Image 1:</i>		Expanded Model Nomenclature	
11	0201R00296 COIL TUBING ASSEMBLY (M1, M2, M3, M4, M5)	M1	- DX16TC0241AA
11	0201R00311 COIL TUBING ASSY (M6, M7, M8)	M2	- DX16TC0241AB
11	0201R00046 TUBING ASSY, COND COIL (M9, M10, M11, M12)	M3	- DX16TC0241AC
11	0201R00137 TUBING ASSY, COND COIL (M13, M14, M15, M16)	M4	- DX16TC0361AA
21	ZPS20K5EPFV130 COMP, 20000,208/230 (M1, M2, M3)	M5	- DX16TC0361AB
21	ZPS51K5EPFV130 COMP, 51900/208/230/60/1 (M15, M16)	M6	- DX16TC0481AA
21	ZPS30K5EPFV130 COMP,30000,208/230 (M4, M5, M11, M12)	M7	- DX16TC0481AB
21	ZPS40K5EPFV130 COMPRESSOR 41100, 208/230/60/1 (M6, M7, M8, M13, M14)	M8	- DX16TC0481AC
21	ZPS49K5EPFV130 COMPRESSOR 49100, 208/230/60/1 (M9, M10)	M9	- DX16TC0601AA
31	0121R00006PNG BASE PAN 29" (M1, M2, M3, M4, M5)	M10	- DX16TC0601AB
31	0121R00007PNG BASE PAN 35" (M6, M7, M8, M9, M10, M11, M12, M13, M14, M15, M16)	M11	- DX18TC0361AA
41	M0221641 TF SHOULDER SCREW (QTY 4)	M12	- DX18TC0361AB
51	0164M00018 COMPRESSOR GROMMET (M11, M12, M13, M14, M15, M16)	M13	- DX18TC0481AA
51	B1339533 COMPRESSOR GROMMET (M1, M2, M3, M4, M5, M6, M7, M8, M9, M10)	M14	- DX18TC0481AB
61	0151R00079 BASE VALVE 3/4" (M1, M2, M3, M4, M5)	M15	- DX18TC0601AA
61	0151R00080 BASE VALVE 7/8" (M6, M7, M8, M9, M10, M11, M12, M13, M14, M15, M16)	M16	- DX18TC0601AB
71	0151R00167 BASE VALVE 3/8"		
91	0162R00009 FILTER DRIER		
101	0130R00003 CUT-OUT SWITCH, HIGH PRESSURE (M1, M2, M3, M4, M5, M9, M10, M11, M12, M13, M14, M15, M16)		
111	0130M00086 LOW PRESSURE SWITCH		
121	0159R00001P COMPRESSOR SCROLL HARNESS (M1, M2, M3, M4, M5)		
121	0159R00009 COMPRESSOR SCROLL HARNESS (M6, M7, M8, M9, M10, M11, M12, M13, M14, M15, M16)		
141	B1488806 COMPRESSOR SOUND BLANKET (M6, M7, M8, M9, M10, M13, M14, M15, M16)		
141	B1488810 COMPRESSOR SOUND BLANKET (M1, M2, M3, M4, M5, M11, M12)		
261	0163R00006 HEATER, CRANKCASE 230V, 40W (M11, M12)		
261	0163R00007 HEATER, CRANKCASE 230V, 40W (M9, M10, M13, M14, M15, M16)		
NS	0130M00005P WIRE HARNESS, COMPRESSOR SOLENOID		

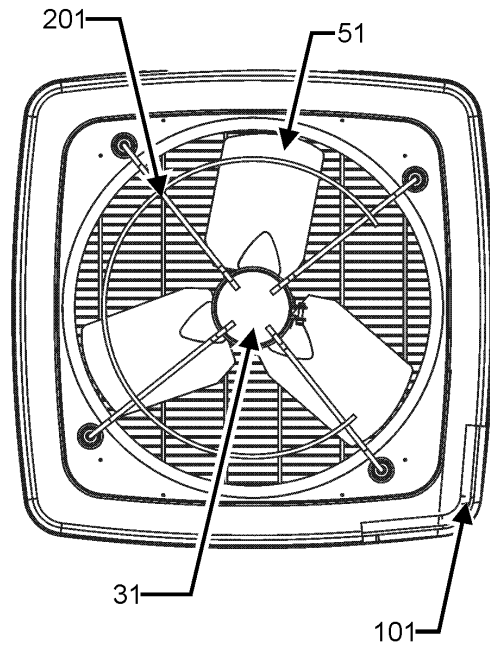
Top and Louver Side Panel Assembly



TOP PANEL ASSEMBLY
STYLE 1



LOUVER PANEL ASSEMBLY



TOP PANEL ASSEMBLY
STYLE 2

Top and Louver Side Panel Assembly

Ref. Part No: No:	Description:	Ref. Part No: No:	Description:
<i>Image 1:</i>		Expanded Model Nomenclature	
11	0121R00011PNG VENTURI TOP PANEL 29" (M1, M2, M3, M4, M5)	M1	- DX16TC0241AA
11	0121R00013PNG VENTURI TOP PANEL 35" (M6, M7, M8, M9, M10, M11, M12, M13, M14, M15, M16)	M2	- DX16TC0241AB
21	0152R00015 GRILLE, WIRE 29" TOP (M1, M2, M3, M4, M5)	M3	- DX16TC0241AC
21	0152R00016 GRILLE, WIRE 35" TOP (M6, M7, M8, M9, M10, M11, M12, M13, M14, M15, M16)	M4	- DX16TC0361AA
31	0131M00761 ECM MOTOR - PROGRAMMED (IGBT) (M11, M12, M13, M14, M15, M16)	M5	- DX16TC0361AB
31	0131M00295 MOTOR 1/6 HP 2SP 8PL (M6, M7, M8, M9, M10)	M6	- DX16TC0481AA
31	0131M00117 MOTOR, 1/6HP, 2SP, 8PL (M1, M2, M3)	M7	- DX16TC0481AB
31	0131M00118 MOTOR, 1/6HP, 2SP, 8PL (M4, M5)	M8	- DX16TC0481AC
41	M0280801 HEX NUT (M1, M2, M3, M4, M5, M6, M7, M8, M9, M10)	M9	- DX16TC0601AA
51	0150M00008 FAN BLADE 22" TNT2203-25 (M1, M2, M3)	M10	- DX16TC0601AB
51	0150M00010 FAN BLADE 26" ALUM CCW (M11, M12, M13, M14, M15, M16)	M11	- DX18TC0361AA
51	10625738 FAN BLADE 26" ALUM CCW (M6, M7, M8, M9, M10)	M12	- DX18TC0361AB
51	B1086764 FAN BLADE TYPE 2 (M4, M5)	M13	- DX18TC0481AA
71	0163M00003P SCREW #10 X 1/2, A, SLOT, SR, BLACK (QTY 4)	M14	- DX18TC0481AB
91	0161R00069 CONDUIT (M1, M2, M3, M4, M5)	M15	- DX18TC0601AA
91	0161R00070 CONDUIT (M6, M7, M8, M9, M10)	M16	- DX18TC0601AB
101	0154R00006 GASKET, CONTROL PANEL		
111	0121R00193PNG LOUVER, SIDE PANEL (M1, M2, M3, M4, M5)		
111	0121R00239PNGB PANEL 1, BENT LOUVER PNT (M6, M7, M8)		
111	4400464PNGB PANEL 1, BENT LOUVER PNT (M9, M10, M11, M12, M13, M14, M15, M16)		
121	0121R00204PNGB Panel 2 bent (M1, M2, M3, M4, M5)		
121	4400466PNGB Panel 2 bent (M9, M10, M11, M12, M13, M14, M15, M16)		
121	0121R00243PNGB Panel 2, Bent Louver (M6, M7, M8)		
131	0121R00200PNGB PANEL 1, BENT LOUVER PNT (M1, M2, M3, M4, M5)		
131	0121R00247PNG PANEL 3, LOUVER 35, 5MM, PNT (M6, M7, M8)		
131	4400468PNG PANEL 3, LOUVER 35_36 HRZ PNT (M9, M10, M11, M12, M13, M14, M15, M16)		
201	0121R00003 MOTOR MOUNT BRACKET (M11, M12, M13, M14, M15, M16)		
NS	0161R00038 GRILL CAP		
NS	B1393024 LOCK NUT (M11, M12, M13, M14, M15, M16)		
NS	B1393804 NYLON LOCKNUT, .31-18 (M11, M12, M13, M14, M15, M16)		