

DX16SA (RR**AVAK) Condensing Unit EXPORTS

DX16SA0181XMAA (RR20AVAK)
DX16SA0181XMAB
DX16SA0181XMAC
DX16SA0241XMAA (RR25AVAK)
DX16SA0241XMAB
DX16SA0241XMAC
DX16SA0301XMAA (RR30AVAK)
DX16SA0301XMAB
DX16SA0301XMAC
DX16SA0361XMAA (RR36AVAK)
DX16SA0361XMAB
DX16SA0361XMAC
DX16SA0421XMAA (RR42AVAK)
DX16SA0421XMAB
DX16SA0421XMAC



This manual is to be used by qualified technicians only.

This manual replaces RP-D4029.

Important Information

Index

Functional Parts List	3
Illustration and Parts	4 - 9

Views shown are for parts illustrations only, not servicing procedures

Text Codes:

AR - As Required

NA - Not Available

NS - Not Shown

00000000 - See Note

QTY - Quantity Example (QTY 3) (If Quantity not shown, Quantity = 1)

M - Model Example (M1) (If M Code not shown, then part is used on all Models)

Expanded Model Nomenclature:

Example M1 - Model#1 M2 - Model#2 M3 - Model#3

Daikin Manufacturing Company, L.P. is not responsible for personal injury or property damage resulting from improper service. Review all service information before beginning repairs.

Warranty service must be performed by an authorized technician, using authorized factory parts. If service is required after the warranty expires, Daikin Manufacturing Company, L.P. also recommends contacting an authorized technician and using authorized factory parts.

Daikin Manufacturing Company, L.P. reserves the right to discontinue, or change at any time, specifications or designs without notice or without incurring obligations.

For assistance within the U.S.A. contact:

Homeowner Support
Daikin North America, LLC
19001 Kermier Road
Waller, Texas 77484
855-770-5678-Telephone
713-863-2382-Facsimile

For assistance outside the U.S.A. contact:

International Division
Daikin North America, LLC
19001 Kermier Road
Waller, Texas 77484
713-861-2500-Telephone
713-863-2382-Facsimile

Functional Parts

Part

No: Description:

0151R00079	BASE VALVE 3/4" (M1, M2, M3, M4, M5, M6)
0151R00150	BASE VALVE 3/8" (M5, M6)
0151R00148	BASE VALVE 3/8" (M1, M2, M3, M4)
0151R00151	BASE VALVE 3/8" (M7, M8, M9)
0151R00152	BASE VALVE 3/8" (M10, M11, M12)
0151R00153	BASE VALVE 3/8" (M13, M14, M15)
0151R00080	BASE VALVE 7/8" (M7, M8, M9, M10, M11, M12, M13, M14, M15)
CAP050350440CSE	CAP, 5/35 MFD/440V/DUAL RD (M4, M5, M6)
CAP050400440CTE	CAP, 5/40 MFD/440V/DUAL RD (M7, M8, M9)
CAP050450440CTE	CAP, 5/45 MFD/440V/DUAL RD (M10, M11, M12, M13, M14, M15)
CAP050300440CSE	CAP, 5/30MFD/440V/DUAL RD (M1, M2, M3)
ZP14K5EPFV130	COMP, 14650,208/230/60/1 (M1, M2, M3)
ZP34K6EPFV130	COMP, 46500, 208/230/60/1 (M13, M14, M15)
ZP24K5EPFV130	COMP,24000,208/230/60/1 (M7, M8, M9)
ZP29K5EPFV130	COMP,29000,208/230/60/1 (M10, M11, M12)
ZP20K5EPFV130	COMPRESSOR 20000, 208/230/60/1 (M4, M5, M6)
0131M00060	COND MOTOR 1/6 HP, 1 SP, 8 PL
CONT1P025024V	CONTACTOR 25 AMP, 1P, 24V (M1, M2, M3, M4, M5, M6, M10, M11, M12)
CONT1P030024V	CONTACTOR 30 AMP, 1P, 24V (M7, M8, M9, M13, M14, M15)
0150M00008	FAN BLADE 22" TNT2203-25 (M1, M2, M3, M4, M5, M6, M7, M8, M9, M10, M11, M12)
10625738	FAN BLADE 26" ALUM CCW (M13, M14, M15)
0130R00062	FUSE, 7 AMP
0130M00096	RELAY
0130M00138	TRANSFORMER 208/230, 24V

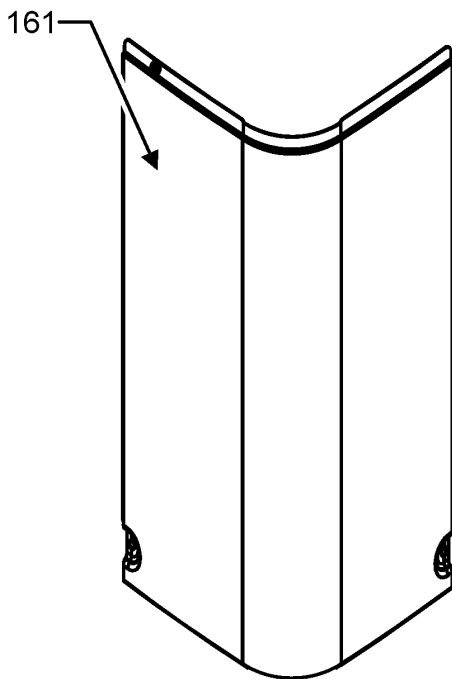
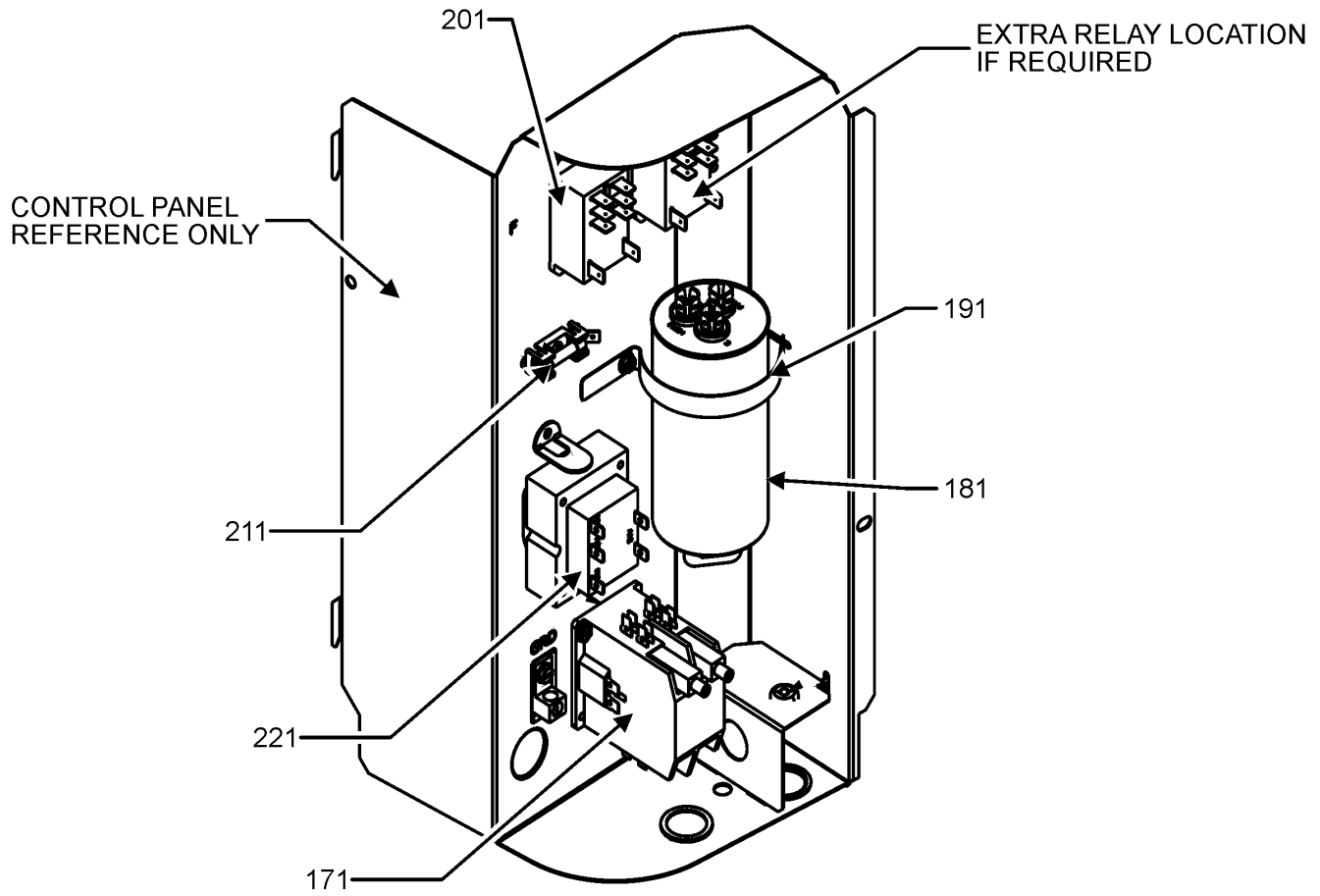
SPECIAL PARTS

0161R00038	GRILL CAP
0161R00037	NAMEPLATE, DAIKIN

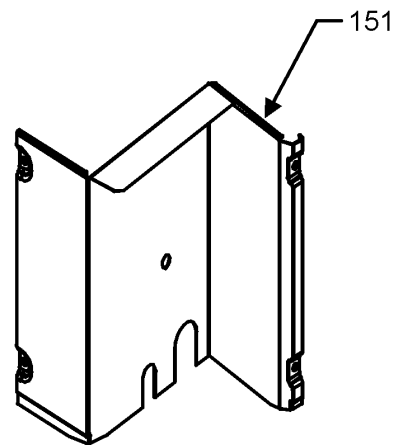
Expanded Model Nomenclature

M1 - DX16SA0181XMAA
M2 - DX16SA0181XMAB
M3 - DX16SA0181XMAC
M4 - DX16SA0241XMAA
M5 - DX16SA0241XMAB
M6 - DX16SA0241XMAC
M7 - DX16SA0301XMAA
M8 - DX16SA0301XMAB
M9 - DX16SA0301XMAC
M10 - DX16SA0361XMAA
M11 - DX16SA0361XMAB
M12 - DX16SA0361XMAC
M13 - DX16SA0421XMAA
M14 - DX16SA0421XMAB
M15 - DX16SA0421XMAC

Control Box Assembly



UPPER ACCESS PANEL



LOWER ACCESS PANEL

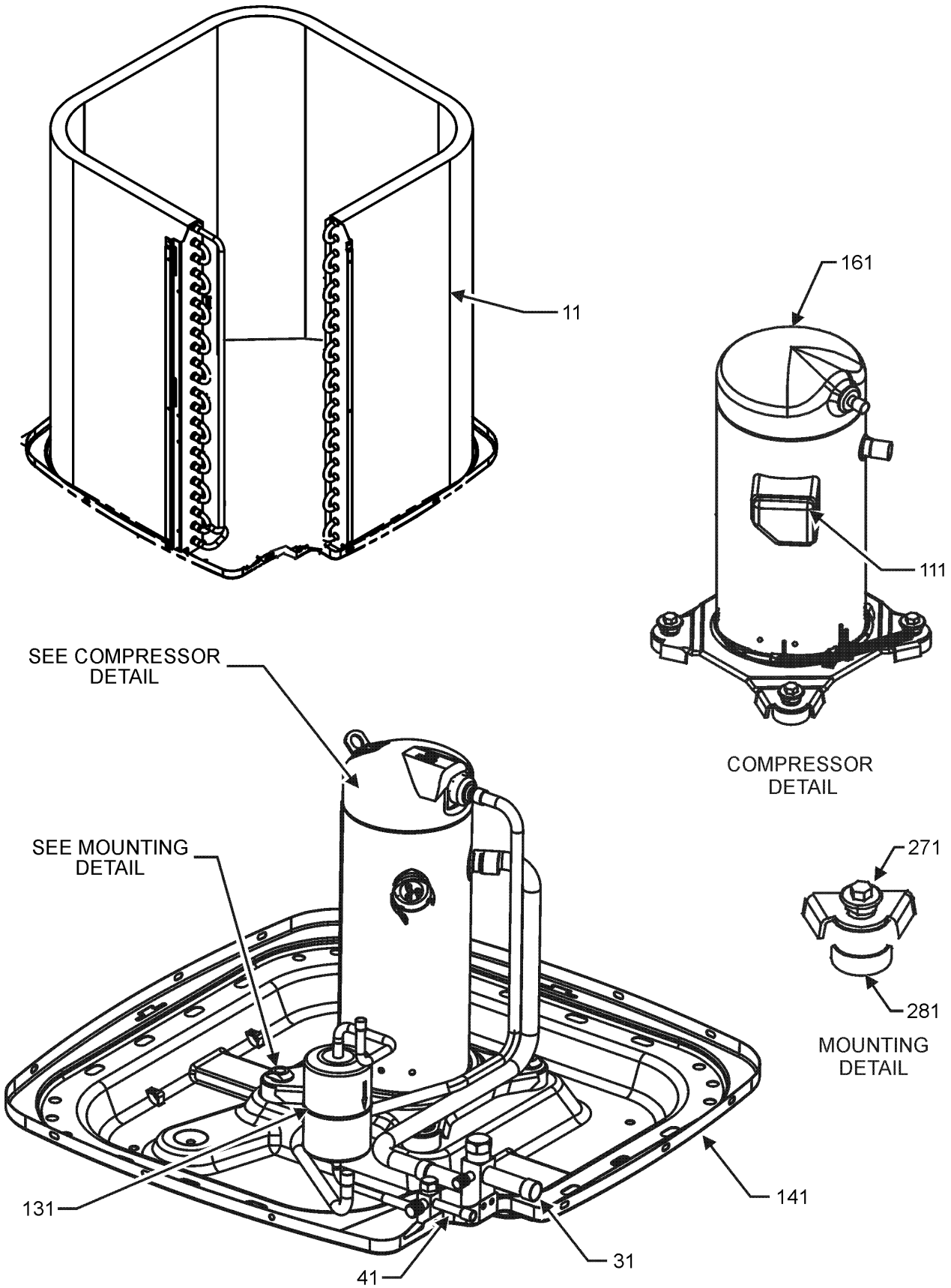
Control Box Assembly

Ref. Part No:	No:	Description:	Ref. Part No:	No:	Description:
Image 1:					
151	0121R00663PDG	LOWER ACCESS PANEL (M1, M2, M3, M4, M5, M6)			
151	0121R00316PDG	PANEL, LOWER ACCESS PNT (M10, M11, M12)			
151	0121R00319PDG	PANEL, LOWER ACCESS PNT (M7, M8, M9, M13, M14, M15)			
161	0121R00053PDG	CONTROL COVER			
171	CONT1P025024V	CONTACTOR 25 AMP, 1P, 24V (M1, M2, M3, M4, M5, M6, M10, M11, M12)			
171	CONT1P030024V	CONTACTOR 30 AMP, 1P, 24V (M7, M8, M9, M13, M14, M15)			
181	CAP050350440CSE	CAP, 5/35 MFD/440V/DUAL RD (M4, M5, M6)			
181	CAP050400440CTE	CAP, 5/40 MFD/440V/DUAL RD (M7, M8, M9)			
181	CAP050450440CTE	CAP, 5/45 MFD/440V/DUAL RD (M10, M11, M12, M13, M14, M15)			
181	CAP050300440CSE	CAP,5/30MFD/440V/DUAL RD (M1, M2, M3)			
191	4400065	CAPACITOR STRAP			
201	0130M00096	RELAY			
211	0130R00062	FUSE, 7 AMP			
221	0130M00138	TRANSFORMER 208/230, 24V			
NS	0130R00063	FUSE HOLDER			
NS	0161R00037	NAMEPLATE, DAIKIN			

Expanded Model Nomenclature

M1 - DX16SA0181XMAA
M2 - DX16SA0181XMAB
M3 - DX16SA0181XMAC
M4 - DX16SA0241XMAA
M5 - DX16SA0241XMAB
M6 - DX16SA0241XMAC
M7 - DX16SA0301XMAA
M8 - DX16SA0301XMAB
M9 - DX16SA0301XMAC
M10 - DX16SA0361XMAA
M11 - DX16SA0361XMAB
M12 - DX16SA0361XMAC
M13 - DX16SA0421XMAA
M14 - DX16SA0421XMAB
M15 - DX16SA0421XMAC

Compressor and Tubing Assembly



Compressor and Tubing Assembly

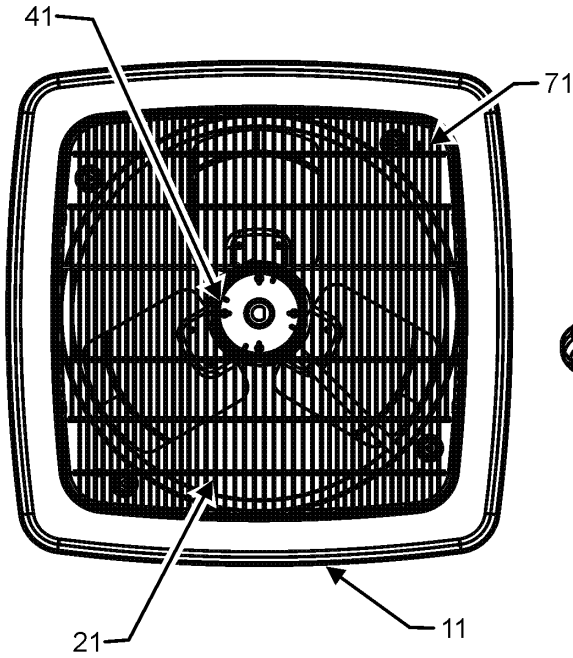
Ref. Part No: No:	Description:	Ref. Part No: No:	Description:
Image 1:			
11	0201R00609		COIL TUBING ASSY (M1, M2, M3, M4, M5, M6)
11	0201R00610		COIL TUBING ASSY (M7, M8, M9)
11	0201R00611		COIL TUBING ASSY (M10, M11, M12)
11	0201R00612		COIL TUBING ASSY (M13, M14, M15)
31	0151R00079		BASE VALVE 3/4" (M1, M2, M3, M4, M5, M6)
31	0151R00080		BASE VALVE 7/8" (M7, M8, M9, M10, M11, M12, M13, M14, M15)
41	0151R00148		BASE VALVE 3/8" (M1, M2, M3, M4)
41	0151R00150		BASE VALVE 3/8" (M5, M6)
41	0151R00151		BASE VALVE 3/8" (M7, M8, M9)
41	0151R00152		BASE VALVE 3/8" (M10, M11, M12)
41	0151R00153		BASE VALVE 3/8" (M13, M14, M15)
111	0159R00001P		COMPRESSOR SCROLL HARNESS (M1, M2, M3, M4, M5, M6, M7, M8, M9, M10, M11, M12)
111	0159R00002P		COMPRESSOR SCROLL HARNESS (M13, M14, M15)
131	0162R00009		FILTER DRIER
141	0121R00006PDG		BASE PAN 29" (M1, M2, M3, M4, M5, M6, M7, M8, M9, M10, M11, M12)
141	0121R00007PDG		BASE PAN 35" (M13, M14, M15)
161	ZP14K5EPFV130		COMP, 14650,208/230/60/1 (M1, M2, M3)
161	ZP34K6EPFV130		COMP, 46500, 208/230/60/1 (M13, M14, M15)
161	ZP24K5EPFV130		COMP,24000,208/230/60/1 (M7, M8, M9)
161	ZP29K5EPFV130		COMP,29000,208/230/60/1 (M10, M11, M12)
161	ZP20K5EPFV130		COMPRESSOR 20000, 208/230/60/1 (M4, M5, M6)
271	M0221641		TF SHOULDER SCREW (QTY 4)
281	B1339533		COMPRESSOR GROMMET (QTY 4)
NS	0262R00007		FLOWRATOR & PISTON KIT (M1)
NS	0262R00008		FLOWRATOR & PISTON KIT (M4)
NS	0262R00009		FLOWRATOR & PISTON KIT (M7)
NS	0262R00010		FLOWRATOR & PISTON KIT (M10)
NS	0262R00011		FLOWRATOR & PISTON KIT (M13)

Expanded Model Nomenclature

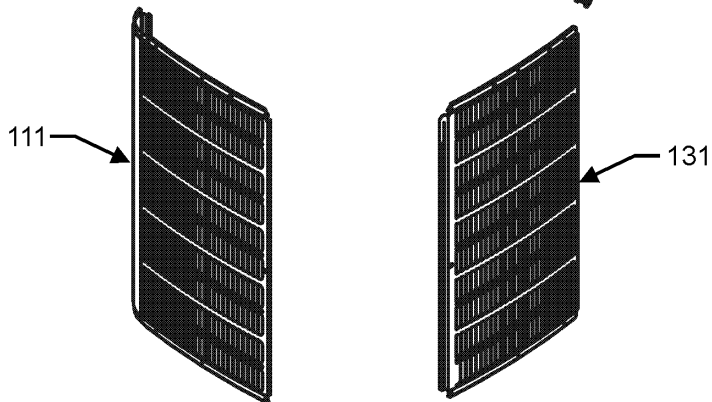
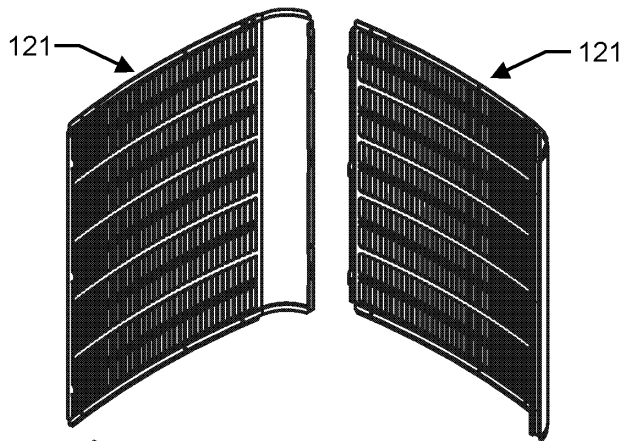
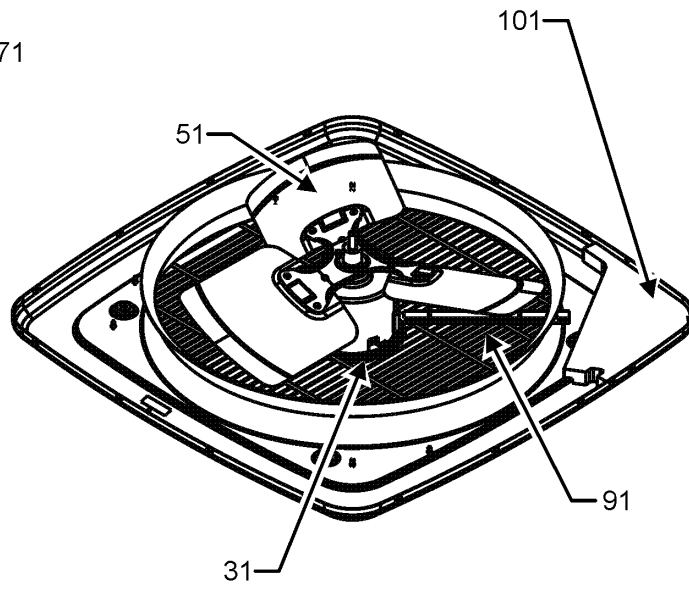
M1 - DX16SA0181XMAA
M2 - DX16SA0181XMAB
M3 - DX16SA0181XMAC
M4 - DX16SA0241XMAA
M5 - DX16SA0241XMAB
M6 - DX16SA0241XMAC
M7 - DX16SA0301XMAA
M8 - DX16SA0301XMAB
M9 - DX16SA0301XMAC
M10 - DX16SA0361XMAA
M11 - DX16SA0361XMAB
M12 - DX16SA0361XMAC
M13 - DX16SA0421XMAA
M14 - DX16SA0421XMAB
M15 - DX16SA0421XMAC

Top and Louver Side Panel Assembly

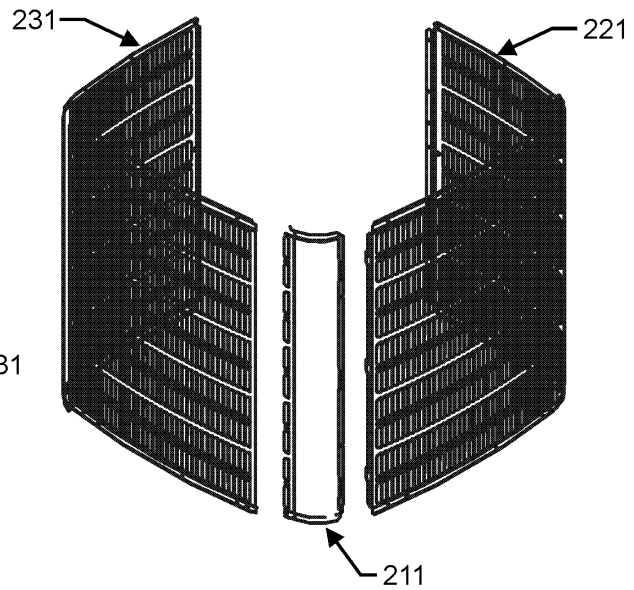
TOP VIEW



BOTTOM VIEW



LOUVER PANEL ASSEMBLY
STYLE 1



LOUVER PANEL ASSEMBLY
STYLE 2

Top and Louver Side Panel Assembly

Ref. Part No:	Ref. Part No:	Description:	Description:
Image 1:			
11	0121R00011PDG	VENTURI TOP PANEL 29" (M1, M2, M3, M4, M5, M6, M7, M8, M9, M10, M11, M12)	
11	0121R00013PDG	VENTURI TOP PANEL 35" (M13, M14, M15)	
21	0152R00015	GRILLE, WIRE 29" TOP (M1, M2, M3, M4, M5, M6, M7, M8, M9, M10, M11, M12)	
21	0152R00016	GRILLE, WIRE 35" TOP (M13, M14, M15)	
31	0131M00060	COND MOTOR 1/6 HP, 1 SP, 8 PL	
41	M0280801	HEX NUT (QTY 4)	
51	0150M00008	FAN BLADE 22" TNT2203-25 (M1, M2, M3, M4, M5, M6, M7, M8, M9, M10, M11, M12)	
51	10625738	FAN BLADE 26" ALUM CCW (M13, M14, M15)	
71	0163M00003P	SCREW #10 X 1/2, A, SLOT, SR, BLACK (QTY 4)	
91	0161R00002P	CONDUIT (M1, M2, M3, M4, M5, M6, M7, M8, M9, M10, M11, M12)	
91	0161R00004P	CONDUIT (M13, M14, M15)	
101	0154R00006	GASKET, CONTROL PANEL	
111	0121R00228PDGB	LOUVERED SIDE PANEL [LT OF CNTL PNL] (M13, M14, M15)	
121	0121R00231PDGB	LOUVERED SIDE PANEL (M13, M14, M15)	
131	0121R00234PDG	LOUVERED SIDE PANEL [RT OF CNTL PNL] (M13, M14, M15)	
211	0121R00350PDG	Louver Post, PDG 28.73 (M1, M2, M3, M4, M5, M6)	
211	0121R00352PDG	Louver Post, PDG 32.51 (M7, M8, M9)	
211	0121R00354PDG	Louver Post, PDG 36.30 (M10, M11, M12)	
221	0121R00342PDGRS	Louver Panel, PDG 29"_28.73 (M1, M2, M3, M4, M5, M6)	
221	0121R00344PDGRS	Louver Panel, PDG 29"_32.51 (M7, M8, M9)	
221	0121R00346PDGRS	Louver Panel, PDG 29"_36.30 (M10, M11, M12)	
231	0121R00342PDGLS	Louver Panel, PDG 29"_28.73 (M1, M2, M3, M4, M5, M6)	
231	0121R00344PDGLS	Louver Panel, PDG 29"_32.51 (M7, M8, M9)	
231	0121R00346PDGLS	Louver Panel, PDG 29"_36.30 (M10, M11, M12)	
NS	0161R00038	GRILL CAP	

Expanded Model Nomenclature

M1 - DX16SA0181XMAA
M2 - DX16SA0181XMAB
M3 - DX16SA0181XMAC
M4 - DX16SA0241XMAA
M5 - DX16SA0241XMAB
M6 - DX16SA0241XMAC
M7 - DX16SA0301XMAA
M8 - DX16SA0301XMAB
M9 - DX16SA0301XMAC
M10 - DX16SA0361XMAA
M11 - DX16SA0361XMAB
M12 - DX16SA0361XMAC
M13 - DX16SA0421XMAA
M14 - DX16SA0421XMAB
M15 - DX16SA0421XMAC