
DX16SA Remote Condensing Unit

DX16SA0181AD
DX16SA0241AF
DX16SA0301AD
DX16SA0301AF
DX16SA0311AD
DX16SA0361AD
DX16SA0421AC
DX16SA0481AC
DX16SA0481AD
DX16SA0481AF
DX16SA0601AE
DX16SA0611AC
DX16SA0611AE



This manual is to be used by qualified technicians only.

This manual replaces RP-D4317A.

Important Information

Index

Functional Parts List	3
Illustration and Parts	4 - 9

Views shown are for parts illustrations only, not servicing procedures.

11-11-22 Updated louver side panel for DX16SA0311AD and DX16SA0361AD

Text Codes:

AR - As Required

NA - Not Available

NS - Not Shown

00000000 - See Note

QTY - Quantity Example (QTY 3) (If Quantity not shown, Quantity = 1)

M - Model Example (M1) (If M Code not shown, then part is used on all Models)

Expanded Model Nomenclature:

Example
M1 - Model#1
M2 - Model#2
M3 - Model#3

Daikin Manufacturing Company, L.P. is not responsible for personal injury or property damage resulting from improper service. Review all service information before beginning repairs.

Warranty service must be performed by an authorized technician, using authorized factory parts. If service is required after the warranty expires, Daikin Manufacturing Company, L.P. also recommends contacting an authorized technician and using authorized factory parts.

Daikin Manufacturing Company, L.P. reserves the right to discontinue, or change at any time, specifications or designs without notice or without incurring obligations.

For assistance within the U.S.A. contact:

Homeowner Support
Daikin North America, LLC
19001 Kermier Road
Waller, Texas 77484
855-770-5678-Telephone
713-863-2382-Facsimile

For assistance outside the U.S.A. contact:

International Division
Daikin North America, LLC
19001 Kermier Road
Waller, Texas 77484
713-861-2500-Telephone
713-863-2382-Facsimile

Functional Parts

Part

No: **Description:**

0151R00182	BALL VALVE 7/8" (M8, M9, M10, M11, M12, M13)
0151R00185	BASE VALVE 3/4" (M1, M2)
0151R00187	BASE VALVE 3/8"
0151R00186	BASE VALVE 7/8" (M3, M4, M5, M6, M7)
0150M00010	BLADE-FAN 26" ALUM CCW (M11)
CAP050350440CS	CAP, 5/35 MFD/440V/DUAL RD (M2)
CAP050400440CT	CAP, 5/40 MFD/440V/DUAL RD (M3, M4, M5)
CAP050450440CT	CAP, 5/45 MFD/440V/DUAL RD (M6, M7, M8, M9, M10)
CAP050700440CT	CAP, 5/70 MFD/440V/DUAL RD (M11, M12, M13)
CAP050300440CS	CAP,5/30MFD/440V/DUAL RD (M1)
ZP14K5EPFV130	COMP, 14650,208/230/60/1 (M1)
ZP20K5EPFV130	COMP,20000,208/230/60/1 (M2)
ZP24K5EPFV130	COMP,24000,208/230/60/1 (M3, M4, M5)
ZP29K5EPFV130	COMP,29000,208/230/60/1 (M6)
ZP34K5EPFV130	COMP,34500,208/230/60/1 (M7)
ZP36K5EPFV130	COMP,36200,208/230/60/1 (M8, M9, M10)
ZP44K5EPFV130	COMP,44400,280/230/60/1 (M11)
ZP49K5EPFV130	COMP,49400,208/230/60/1 (M12, M13)
CONT1P030024V	CONT, 1 POLE, 30 AMP, 24 VAC
571006600	CoreSense Module
0130R00056	CUT-OUT SWITCH, HIGH PRESSURE
0131M00761	ECM MOTOR - PROGRAMMED (IGBT) (M11)
0150M00008	FAN BLADE, 22" TNT2203-25 (M1, M2, M3, M4, M5, M6)
0150M00066	FAN BLADE, 26" (M7, M8, M9, M10, M12, M13)
0130M00082	LOW PRESSURE SWITCH (M1, M2, M3, M4, M5, M6, M7, M8, M9, M10, M12, M13)
0131M00968	MOTOR, 1/4HP, 1SP, 8PL, AL (M10, M13)
0131M00807	MOTOR, 1/4HP,1SP,8PL,AL (M8, M9, M12)
0131M00753	MOTOR, 1/6HP, 1SP, 8PL, AL (M3, M7)
0131M00971	MOTOR, 1/6HP, 1SP, 8PL, AL (M1, M2, M4, M5, M6)

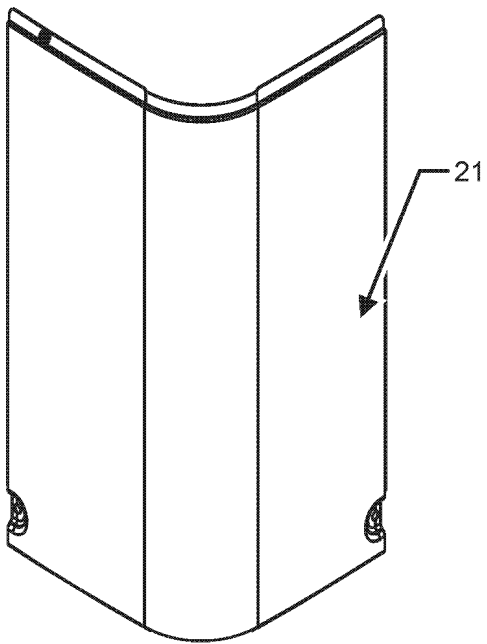
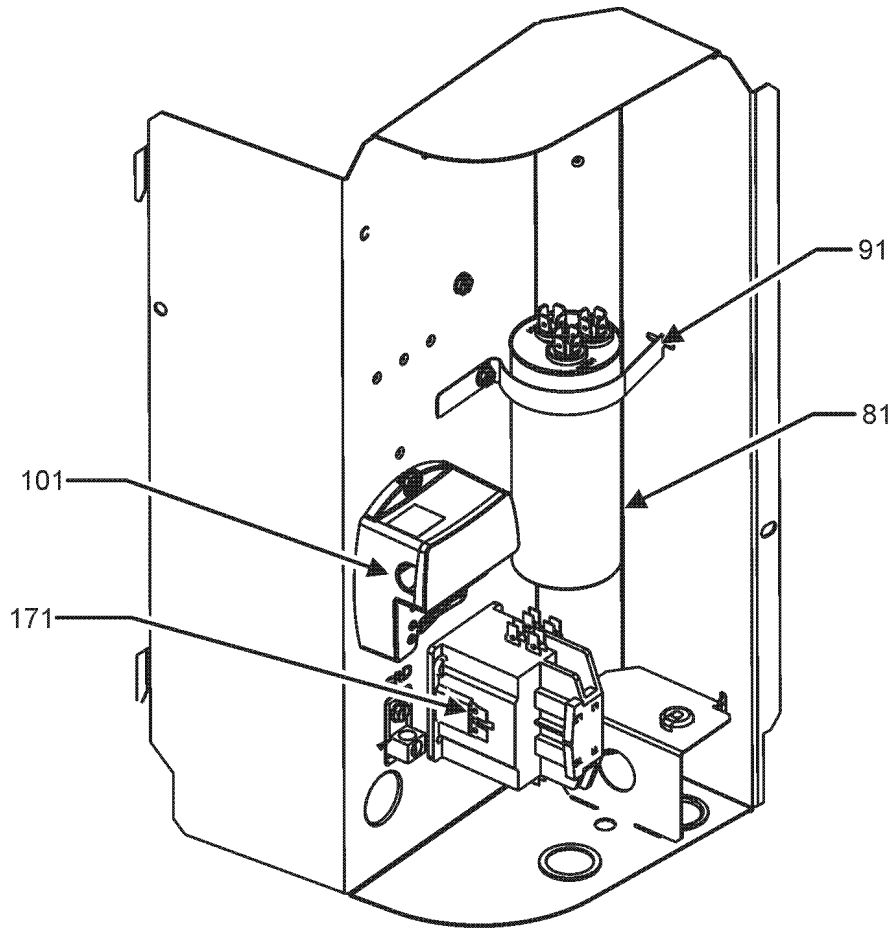
Expanded Model Nomenclature

M1 - DX16SA0181AD
M2 - DX16SA0241AF
M3 - DX16SA0301AD
M4 - DX16SA0301AF
M5 - DX16SA0311AD
M6 - DX16SA0361AD
M7 - DX16SA0421AC
M8 - DX16SA0481AC
M9 - DX16SA0481AD
M10 - DX16SA0481AF
M11 - DX16SA0601AE
M12 - DX16SA0611AC
M13 - DX16SA0611AE

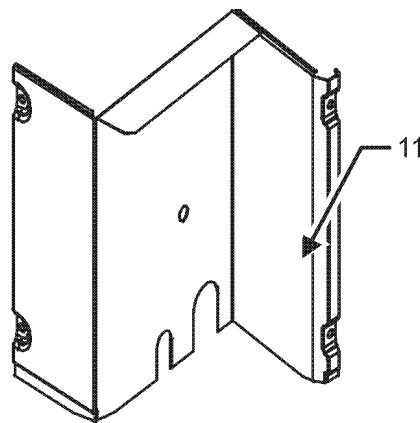
SPECIAL PARTS

0161R00095	CAP, GRILL
0161R00093	NAMEPLATE, DAIKIN

Control Box Assembly



UPPER ACCESS PANEL



LOWER ACCESS PANEL

Control Box Assembly

Ref. Part No:	Ref. Part No:	Description:	Description:
---------------	---------------	--------------	--------------

Image 1:

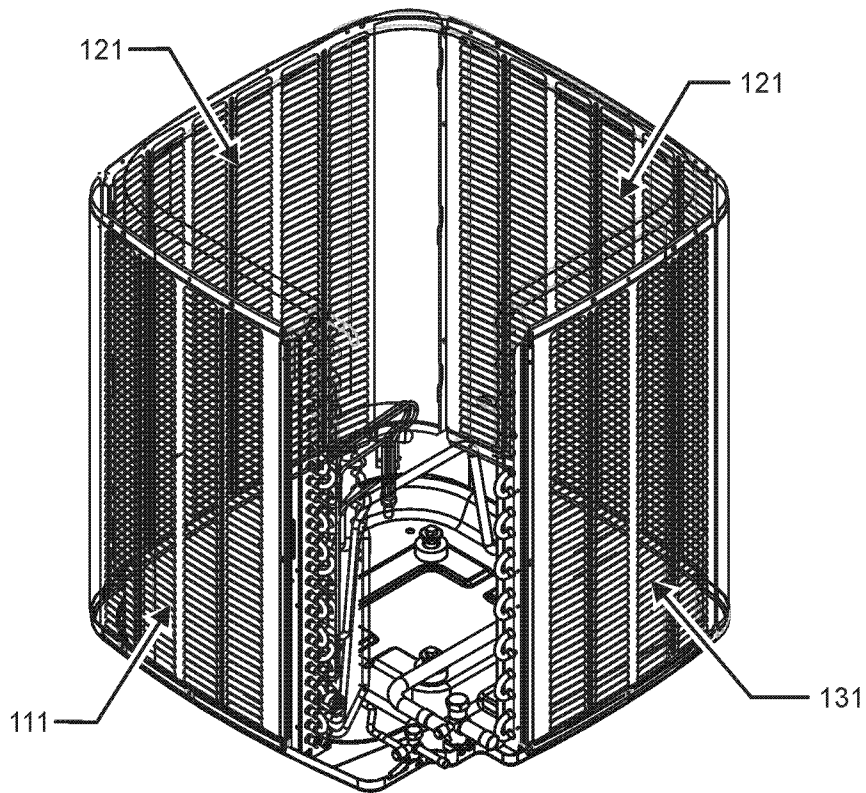
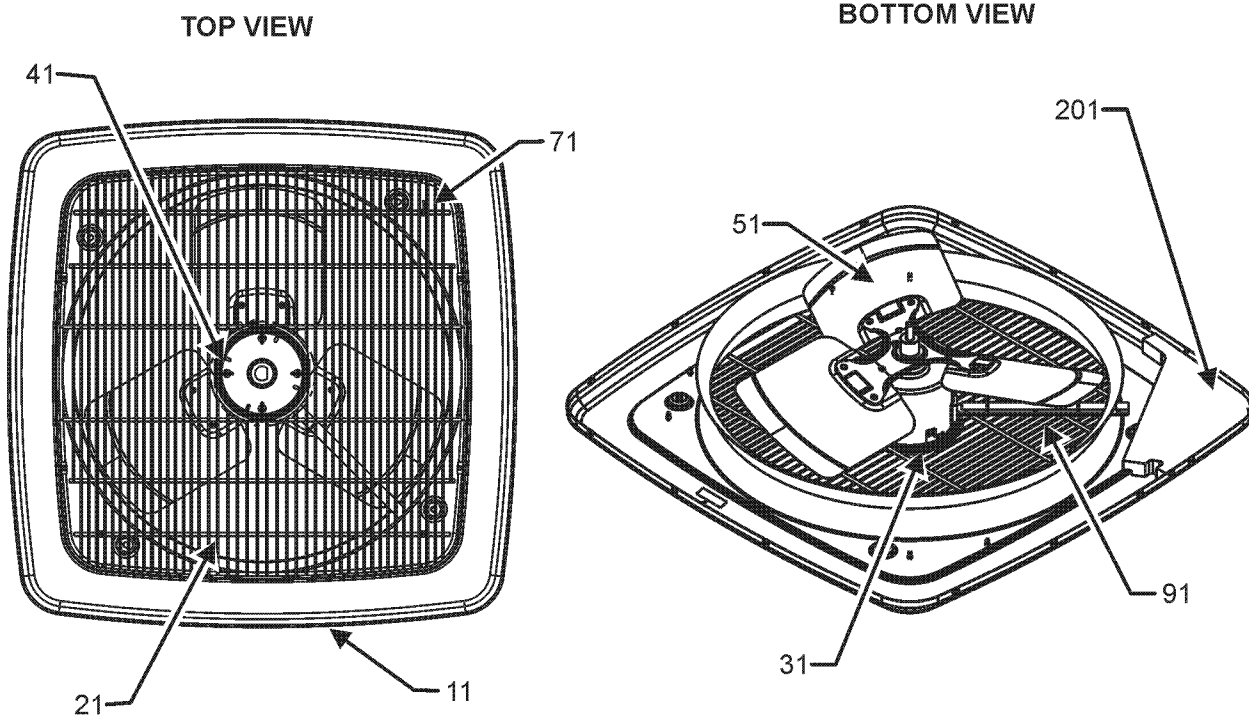
11	0121R00909PNG	PNL, LWR ACCESS (M5, M6, M8, M9, M10, M12, M13)
11	0121R00911PNG	PNL, LWR ACCESS (M11)
11	0121R00912PNG	PNL, LWR ACCESS (M3, M4, M7)
11	0121R00919PNG	PNL, LWR ACCESS (M1, M2)
21	0121R00937PNG	CONTROL COVER, SMALL PNT
71	CONT1P030024V	CONT, 1 POLE, 30 AMP, 24 VAC
81	CAP050350440CS	CAP, 5/35 MFD/440V/DUAL RD (M2)
81	CAP050400440CT	CAP, 5/40 MFD/440V/DUAL RD (M3, M4, M5)
81	CAP050450440CT	CAP, 5/45 MFD/440V/DUAL RD (M6, M7, M8, M9, M10)
81	CAP050700440CT	CAP, 5/70 MFD/440V/DUAL RD (M11, M12, M13)
81	CAP050300440CS	CAP,5/30MFD/440V/DUAL RD (M1)
91	4400065	CAPACITOR STRAP
101	571006600	CoreSense Module
NS	0161R00093	NAMEPLATE, DAIKIN

Expanded Model Nomenclature

- | |
|--------------------|
| M1 - DX16SA0181AD |
| M2 - DX16SA0241AF |
| M3 - DX16SA0301AD |
| M4 - DX16SA0301AF |
| M5 - DX16SA0311AD |
| M6 - DX16SA0361AD |
| M7 - DX16SA0421AC |
| M8 - DX16SA0481AC |
| M9 - DX16SA0481AD |
| M10 - DX16SA0481AF |
| M11 - DX16SA0601AE |
| M12 - DX16SA0611AC |
| M13 - DX16SA0611AE |

Top and Side Panel Assembly

TOP PANEL ASSEMBLY



LOUVER PANEL ASSEMBLY

Top and Side Panel Assembly

Ref. Part

No: No: Description:

Ref. Part

No: No: Description:

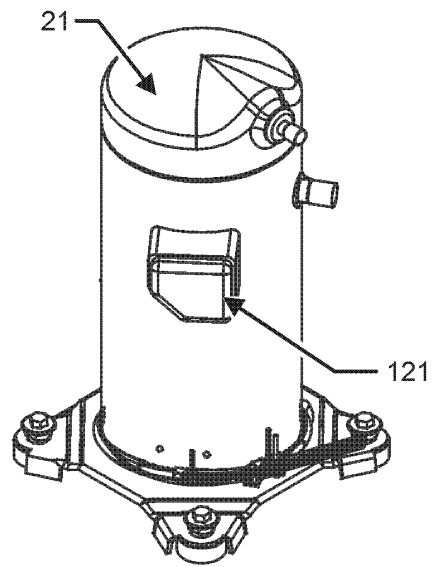
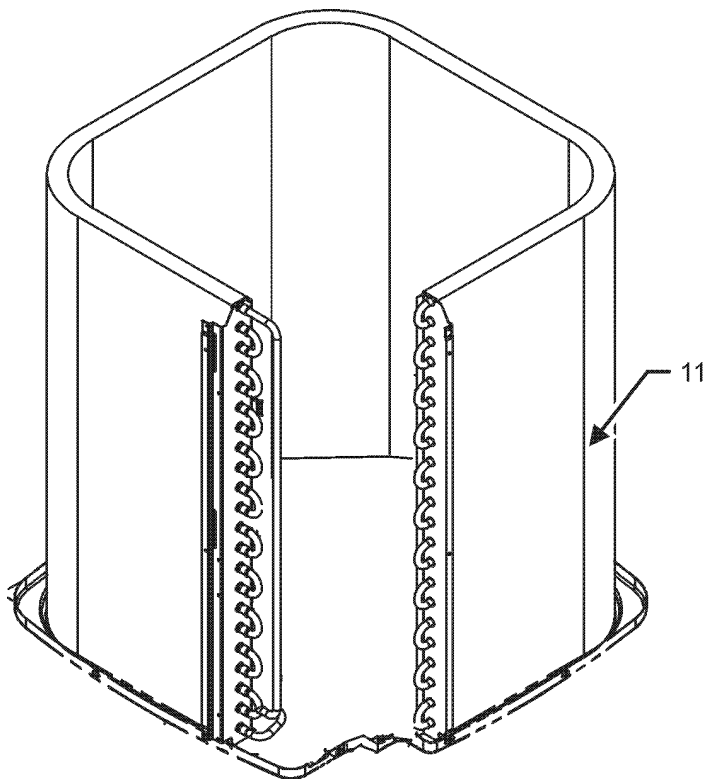
Image 1:

11	0121R00576PNG	TOP PANEL PAINTED, 29" (M5)
11	0121R00011PNG	TOP PANEL, VENTURI 29" PNT (M1, M2, M3, M4, M6)
11	0121R00013PNG	TOP PANEL, VENTURI 35" PNT (M7, M8, M9, M10, M11, M12, M13)
21	0152R00015	GRILLE, WIRE 29" TOP (M1, M2, M3, M4, M5, M6)
21	0152R00016	GRILLE, WIRE 35" TOP (M7, M8, M9, M10, M11, M12, M13)
31	0131M00761	ECM MOTOR - PROGRAMMED (IGBT) (M11)
31	0131M00968	MOTOR, 1/4HP, 1SP, 8PL, AL (M10, M13)
31	0131M00807	MOTOR, 1/4HP, 1SP, 8PL, AL (M8, M9, M12)
31	0131M00753	MOTOR, 1/6HP, 1SP, 8PL, AL (M3, M7)
31	0131M00971	MOTOR, 1/6HP, 1SP, 8PL, AL (M1, M2, M4, M5, M6)
41	M0280801	HEX NUT (M1, M2, M3, M4, M5, M6, M7, M8, M9, M10, M12, M13)
51	0150M00010	BLADE-FAN 26" ALUM CCW (M11)
51	0150M00008	FAN BLADE, 22" TNT2203-25 (M1, M2, M3, M4, M5, M6)
51	0150M00066	FAN BLADE, 26" (M7, M8, M9, M10, M12, M13)
71	0163M00003P	SCREW #10 X 1/2, A, SLOT, SR, BLACK (M1, M2, M3, M4, M6, M7, M8, M9, M10, M11, M12, M13)
71	0163M00004	SCREW,#10X3/4",BLK (M5)
91	0161R00002P	CONDUIT (M1, M2, M3, M4, M5, M6)
91	0161R00004P	CONDUIT (M7, M8, M9, M10, M12, M13)
111	0121R00193PNG	LOUVER, SIDE PANEL (M1, M2)
111	0121R00194PNG	LOUVER, SIDE PANEL (M3, M4)
111	0121R00203PNG	LOUVER, SIDE PANEL (M5, M6)
111	0121R00240PNG	PANEL 1, BENT LOUVER PNT (M8, M9, M10, M12, M13)
111	0121R00239PNG	PANEL 1, LOUVER 35, 5MM, PNT (M7)
111	4400464PNG	PANEL 1,LOUVER 35_36 HRZ PNT (M11)
121	0121R00204PNG	LOUVER, SIDE PANEL (M1, M2)
121	0121R00205PNG	LOUVER, SIDE PANEL (M3, M4)
121	0121R00206PNG	LOUVER, SIDE PANEL (M5, M6)
121	0121R00244PNG	LOUVER, SIDE PANEL, BENT (M8, M9, M10, M12, M13)
121	0121R00243PNG	PANEL 2, LOUVER 35, 5MM, PNT (M7)
121	4400466PNG	PANEL 2,LOUVER 35_36 HRZ PNT (M11)
131	0121R00193PNG	LOUVER, SIDE PANEL (M1, M2)
131	0121R00194PNG	LOUVER, SIDE PANEL (M3, M4)
131	0121R00195PNG	LOUVER, SIDE PANEL (M5, M6)
131	0121R00247PNG	PANEL 3, LOUVER 35, 5MM, PNT (M7)
131	0121R00248PNG	PANEL 3, LOUVERED (M8, M9, M10, M12, M13)
131	4400468PNG	PANEL 3,LOUVER 35_36 HRZ PNT (M11)
201	0154R00045	GASKET, CONTROL PANEL
NS	0121R00003	BRACKET, MOTOR MOUNT (M11)
NS	0161R00095	CAP, GRILL
NS	B1393024	LOCK NUT (M11)
NS	0161R00048	MOLDED RING-VENTURI 22 (M5)
NS	B1393804	NYLON LOCKNUT, .31 - 18 (M11)

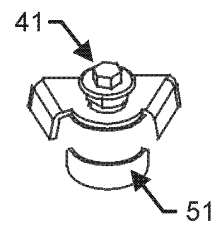
Expanded Model Nomenclature

M1 - DX16SA0181AD
M2 - DX16SA0241AF
M3 - DX16SA0301AD
M4 - DX16SA0301AF
M5 - DX16SA0311AD
M6 - DX16SA0361AD
M7 - DX16SA0421AC
M8 - DX16SA0481AC
M9 - DX16SA0481AD
M10 - DX16SA0481AF
M11 - DX16SA0601AE
M12 - DX16SA0611AC
M13 - DX16SA0611AE

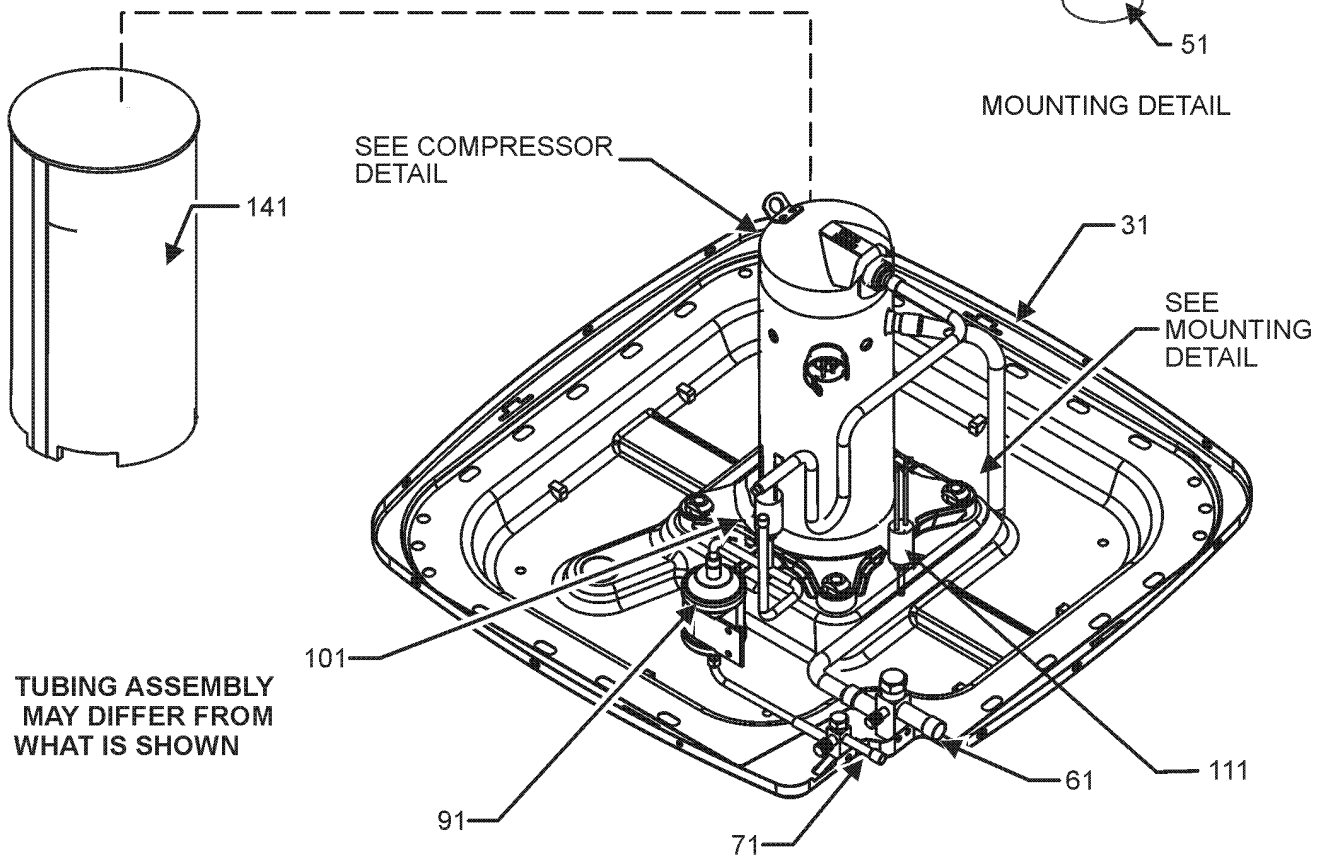
Tubing Assembly



COMPRESSOR DETAIL



MOUNTING DETAIL



Tubing Assembly

Ref. Part No: No:	Description:	Ref. Part No: No:	Description:
Image 1:		Expanded Model Nomenclature	
11	0201R00434	COIL TBG 36XL 5CR (M11)	M1 - DX16SA0181AD
11	0201R00296	COIL TUBING ASSEMBLY (M1, M2)	M2 - DX16SA0241AF
11	0201R00236	COIL TUBING ASSY (M5, M6)	M3 - DX16SA0301AD
11	0201R00311	COIL TUBING ASSY (M7)	M4 - DX16SA0301AF
11	0201R00315	COIL TUBING ASSY (M3)	M5 - DX16SA0311AD
11	0201R00433	COIL TUBING ASSY (M8, M9, M10, M12, M13)	M6 - DX16SA0361AD
11	0201R00750	COIL TUBING ASSY (M4)	M7 - DX16SA0421AC
21	ZP14K5EPFV130	COMP, 14650,208/230/60/1 (M1)	M8 - DX16SA0481AC
21	ZP20K5EPFV130	COMP,20000,208/230/60/1 (M2)	M9 - DX16SA0481AD
21	ZP24K5EPFV130	COMP,24000,208/230/60/1 (M3, M4, M5)	M10 - DX16SA0481AF
21	ZP29K5EPFV130	COMP,29000,208/230/60/1 (M6)	M11 - DX16SA0601AE
21	ZP34K5EPFV130	COMP,34500,208/230/60/1 (M7)	M12 - DX16SA0611AC
21	ZP36K5EPFV130	COMP,36200,208/230/60/1 (M8, M9, M10)	M13 - DX16SA0611AE
21	ZP44K5EPFV130	COMP,44400,280/230/60/1 (M11)	
21	ZP49K5EPFV130	COMP,49400,208/230/60/1 (M12, M13)	
31	0121R00006PNG	BASE PAN, 29" PNT (M1, M2, M3, M4, M5, M6)	
31	0121R00007PNG	BASE PAN, 35.5" PNT (M7, M8, M9, M10, M11, M12, M13)	
41	M0221641	TF SHOULDER SCREW (QTY 4)	
51	B1339533	COMPRESSOR GROMMET (QTY 4)	
61	0151R00182	BALL VALVE 7/8" (M8, M9, M10, M11, M12, M13)	
61	0151R00185	BASE VALVE 3/4" (M1, M2)	
61	0151R00186	BASE VALVE 7/8" (M3, M4, M5, M6, M7)	
71	0151R00187	BASE VALVE 3/8"	
91	0162R00057	FILTER DRIER	
101	0130R00056	CUT-OUT SWITCH, HIGH PRESSURE	
111	0130M00082	LOW PRESSURE SWITCH (M1, M2, M3, M4, M5, M6, M7, M8, M9, M10, M12, M13)	
121	0159R00001P	HARNESS, COMP SCROLL 130 42" (M1, M2, M3, M4, M5, M6)	
121	0159R00002P	HARNESS, COMP SCROLL 130 46" (M7, M8, M9, M10)	
121	0159R00017	HARNESS, COMP-SCROLL (M11, M12, M13)	
141	0160M00035	COMPRESSOR BLANKET (M1, M2, M3, M4, M5, M6)	
141	0160M00039	COMPRESSOR BLANKET (M7, M8, M9, M10, M11, M12, M13)	
NS	B1789849	FLOW CHECK PISTON (M1)	
NS	B1789857	FLOW CHECK PISTON KIT (M2)	
NS	B1789865	FLOW CHECK PISTON KIT (M3, M4, M5)	
NS	B1789872	FLOW CHECK PISTON KIT (M6)	
NS	B1789874	FLOW CHECK PISTON KIT (M7)	
NS	B1789878	FLOW CHECK PISTON KIT (M8, M9, M10)	
NS	B1789886	FLOW CHECK PISTON KIT (M11)	
NS	B1789888	FLOW CHECK PISTON KIT (M12, M13)	