

DX16SA Remote Condensing Unit

DX16SA0181AA
DX16SA0181AB
DX16SA0241AA
DX16SA0241AB
DX16SA0301AA
DX16SA0301AB
DX16SA0311AA
DX16SA0311AB
DX16SA0361AA
DX16SA0361AB
DX16SA0371AA
DX16SA0371AB
DX16SA0421AA
DX16SA0421AB
DX16SA0481AA
DX16SA0481AB
DX16SA0601AA
DX16SA0601AB
DX16SA0601AC
DX16SA0611AA
DX16SA0611AB



This manual is to be used by qualified technicians only.

This manual replaces RP-D4007B.

© 2013, 2015-2016 **DAIKIN MANUFACTURING COMPANY, L.P.** ♦ 5151 San Felipe St., Suite 500 ♦ Houston, TX 77056

Important Information

Index

Functional Parts List	3
Illustration and Parts	4 - 9

Views shown are for parts illustrations only, not servicing procedures

Text Codes:

AR - As Required

NA - Not Available

NS - Not Shown

00000000 - See Note

QTY - Quantity Example (QTY 3) (If Quantity not shown, Quantity = 1)

M - Model Example (M1) (If M Code not shown, then part is used on all Models)

Expanded Model Nomenclature:

Example M1 - Model#1 M2 - Model#2 M3 - Model#3

Daikin Manufacturing Company, L.P. is not responsible for personal injury or property damage resulting from improper service. Review all service information before beginning repairs.

Warranty service must be performed by an authorized technician, using authorized factory parts. If service is required after the warranty expires, Daikin Manufacturing Company, L.P. also recommends contacting an authorized technician and using authorized factory parts.

Daikin Manufacturing Company, L.P. reserves the right to discontinue, or change at any time, specifications or designs without notice or without incurring obligations.

For assistance within the U.S.A. contact:

Homeowner Support
Daikin North America, LLC
19001 Kermier Road
Waller, Texas 77484
855-770-5678-Telephone
713-863-2382-Facsimile

For assistance outside the U.S.A. contact:

International Division
Daikin North America, LLC
19001 Kermier Road
Waller, Texas 77484
713-861-2500-Telephone
713-863-2382-Facsimile

Functional Parts

Part No: **Description:**

CAP050300440CS	CAP,5/30MFD/440V/DUAL RD (M1, M2)
CAP050350440CS	CAPACITOR 5/35/440V (M3, M4)
CAP050400440CT	CAPACITOR 5/40/440V/DUAL RD (M5, M6, M7, M8)
CAP050450440CT	CAPACITOR 5/45/440V/DUAL RD (M9, M10, M11, M12, M13, M14, M15, M16)
CAP050700440CT	CAPACITOR 5/70/440V/DUAL RD (M17, M18, M19, M20, M21)
ZP14K5EPFV130	COMP, 14650,208/230/60/1 (M1, M2)
ZP24K5EPFV130	COMP,24000,208/230/60/1 (M5, M6, M7, M8)
ZP29K5EPFV130	COMP,29000,208/230/60/1 (M9, M10)
ZP31K6EPFV130	COMP,42500,208/230/60/1 (M11, M12)
ZP44K5EPFV130	COMP,44400,280/230/60/1 (M17, M18, M19)
ZP49K5EPFV130	COMP,49400,208/230/60/1 (M20, M21)
ZP20K5EPFV130	COMPRESSOR 20000, 208/230/60/1 (M3, M4)
ZP34K5EPFV130	COMPRESSOR 34500, 208/230/60/1 (M13, M14)
ZP36K5EPFV130	COMPRESSOR 36200, 208/230/60/1 (M15, M16)
0131M00061	COND MOTOR 1/4 HP, 1 SP, 8 PL (M15, M16, M20, M21)
0131M00060	COND MOTOR 1/6 HP, 1 SP, 8 PL (M1, M3, M5, M7, M9, M11, M13)
0131M00753	COND MOTOR, 1/6HP, 1SP, 8PL, AL (M2, M4, M6, M8, M10, M12, M14)
0131M00401	COND MOTOR, ECM (M17, M18, M19)
CONT1P025024V	CONTACTOR 25 AMP, 1P, 24V (M1, M2, M3, M4, M5, M6, M7, M8, M9, M10)
CONT1P030024V	CONTACTOR 30 AMP, 1P, 24V (M11, M12, M13, M14, M15, M16, M17, M18, M19, M20, M21)
571006600	CoreSense Module
0130R00056	CUT-OUT SWITCH, HIGH PRESSURE
0150M00008	FAN BLADE 22" TNT2203-25 (M1, M2, M3, M4, M5, M6, M9, M10)
10625738	FAN BLADE 26" ALUM CCW (M11, M12, M13, M14, M15, M16, M20, M21)
0150M00010	FAN BLADE 26" ALUM CCW (M17, M18, M19)
B1086764	FAN BLADE TYPE 2 (M7, M8)
0163R00003	HEATER, CRANKCASE 230V 40W (M17, M18, M19)
0130M00082	LOW PRESSURE SWITCH

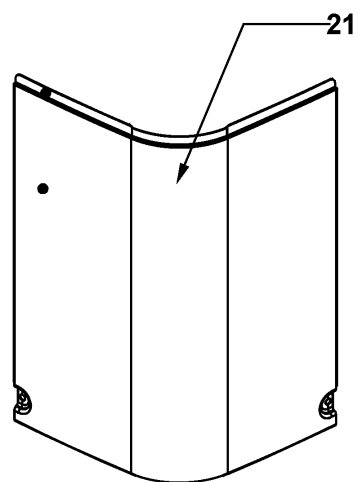
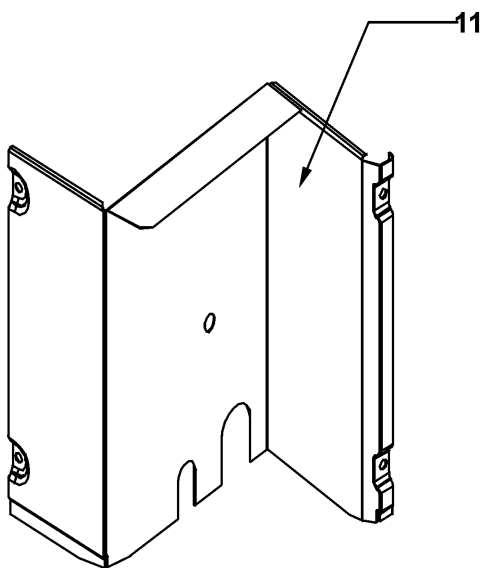
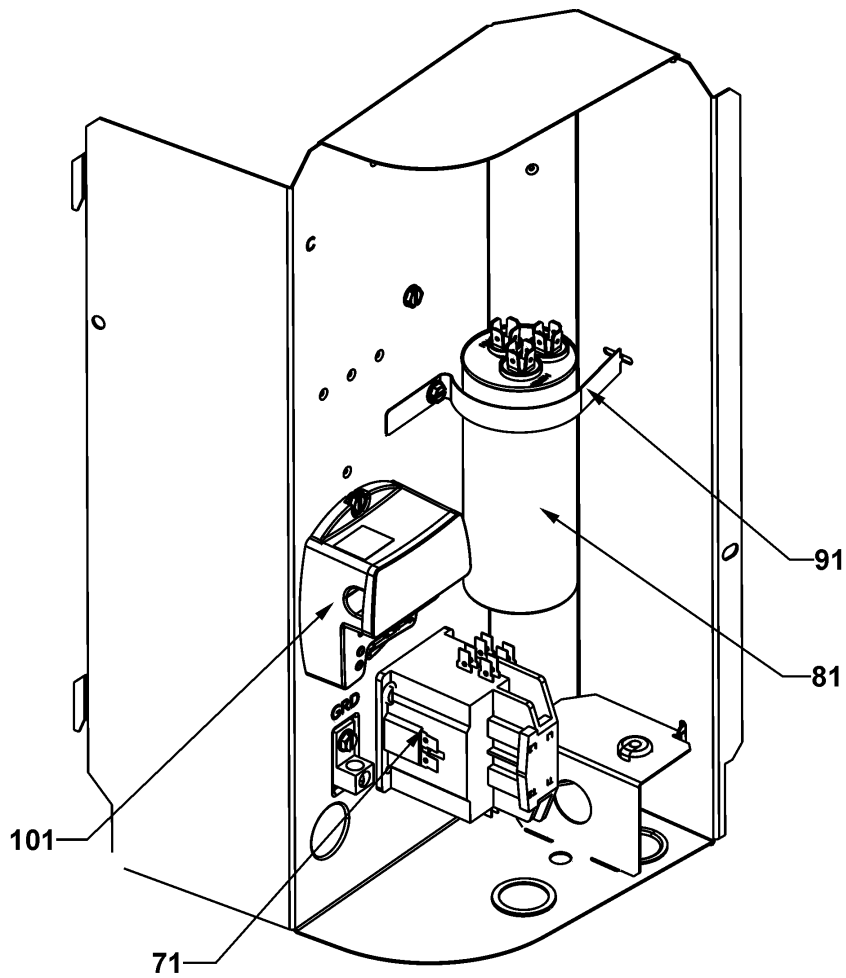
Expanded Model Nomenclature

M1 - DX16SA0181AA
M2 - DX16SA0181AB
M3 - DX16SA0241AA
M4 - DX16SA0241AB
M5 - DX16SA0301AA
M6 - DX16SA0301AB
M7 - DX16SA0311AA
M8 - DX16SA0311AB
M9 - DX16SA0361AA
M10 - DX16SA0361AB
M11 - DX16SA0371AA
M12 - DX16SA0371AB
M13 - DX16SA0421AA
M14 - DX16SA0421AB
M15 - DX16SA0481AA
M16 - DX16SA0481AB
M17 - DX16SA0601AA
M18 - DX16SA0601AB
M19 - DX16SA0601AC
M20 - DX16SA0611AA
M21 - DX16SA0611AB

SPECIAL PARTS

0161R00038	GRILL CAP
0161R00036	NAMEPLATE, DAIKIN

Control Box



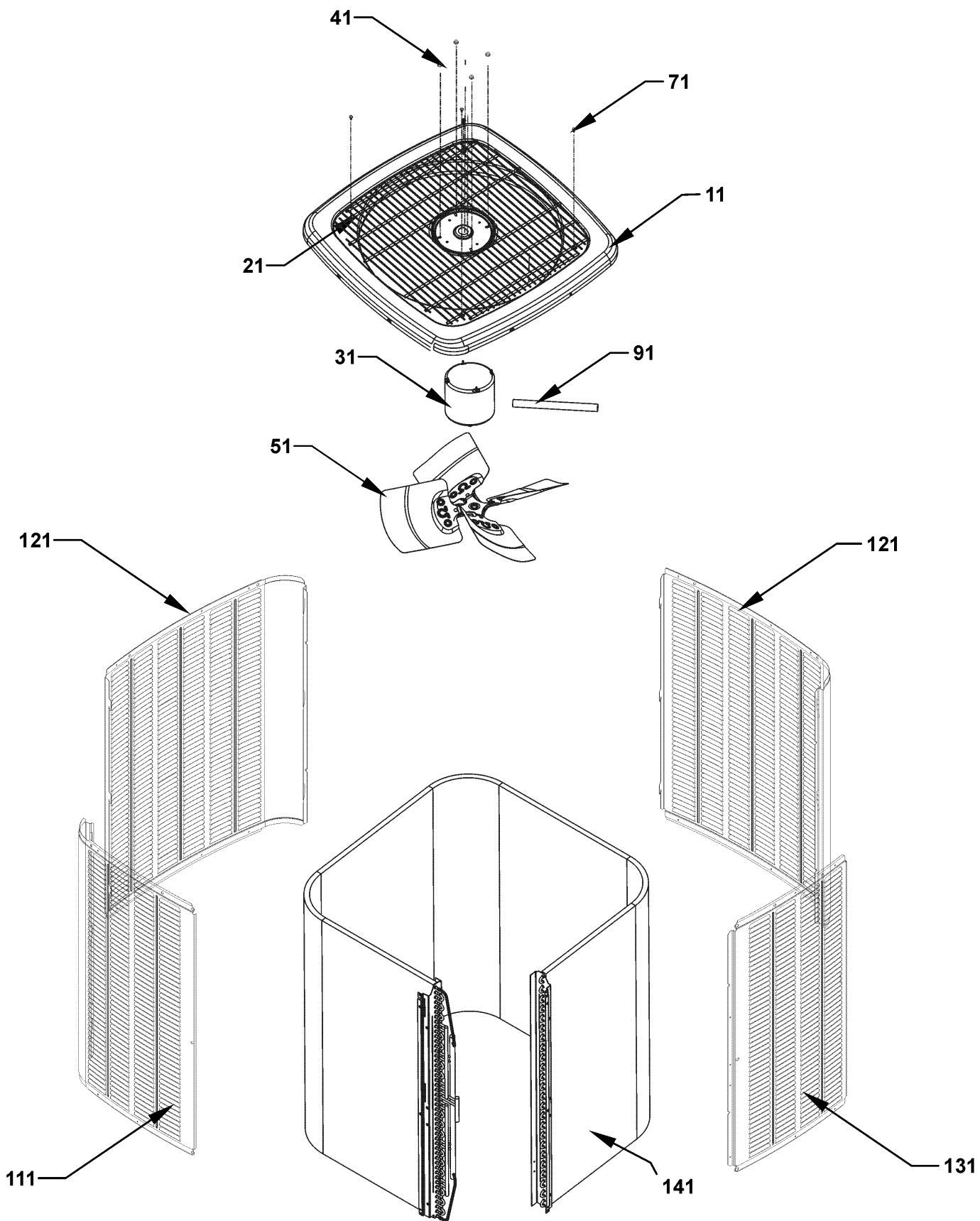
Control Box

Ref. Part No:	No:	Description:	Ref. Part No:	No:	Description:
Image 1:					
11	0121R00316PNG	LOWER ACCESS PANEL (M7, M8, M9, M10, M15, M16, M20, M21)			
11	0121R00318PNG	LOWER ACCESS PANEL (M17, M18, M19)			
11	0121R00319PNG	LOWER ACCESS PANEL (M5, M6, M11, M12, M13, M14)			
11	0121R00663PNG	LOWER ACCESS PANEL (M1, M2, M3, M4)			
21	0121R00053PNG	CONTROL COVER			
71	CONT1P025024V	CONTACTOR 25 AMP, 1P, 24V (M1, M2, M3, M4, M5, M6, M7, M8, M9, M10)			
71	CONT1P030024V	CONTACTOR 30 AMP, 1P, 24V (M11, M12, M13, M14, M15, M16, M17, M18, M19, M20, M21)			
81	CAP050300440CS	CAP,5/30MFD/440V/DUAL RD (M1, M2)			
81	CAP050350440CS	CAPACITOR 5/35/440V (M3, M4)			
81	CAP050400440CT	CAPACITOR 5/40/440V/DUAL RD (M5, M6, M7, M8)			
81	CAP050450440CT	CAPACITOR 5/45/440V/DUAL RD (M9, M10, M11, M12, M13, M14, M15, M16)			
81	CAP050700440CT	CAPACITOR 5/70/440V/DUAL RD (M17, M18, M19, M20, M21)			
91	4400065	CAPACITOR STRAP			
101	571006600	CoreSense Module			
NS	0161R00036	NAMEPLATE, DAIKIN			

Expanded Model Nomenclature

M1 - DX16SA0181AA
M2 - DX16SA0181AB
M3 - DX16SA0241AA
M4 - DX16SA0241AB
M5 - DX16SA0301AA
M6 - DX16SA0301AB
M7 - DX16SA0311AA
M8 - DX16SA0311AB
M9 - DX16SA0361AA
M10 - DX16SA0361AB
M11 - DX16SA0371AA
M12 - DX16SA0371AB
M13 - DX16SA0421AA
M14 - DX16SA0421AB
M15 - DX16SA0481AA
M16 - DX16SA0481AB
M17 - DX16SA0601AA
M18 - DX16SA0601AB
M19 - DX16SA0601AC
M20 - DX16SA0611AA
M21 - DX16SA0611AB

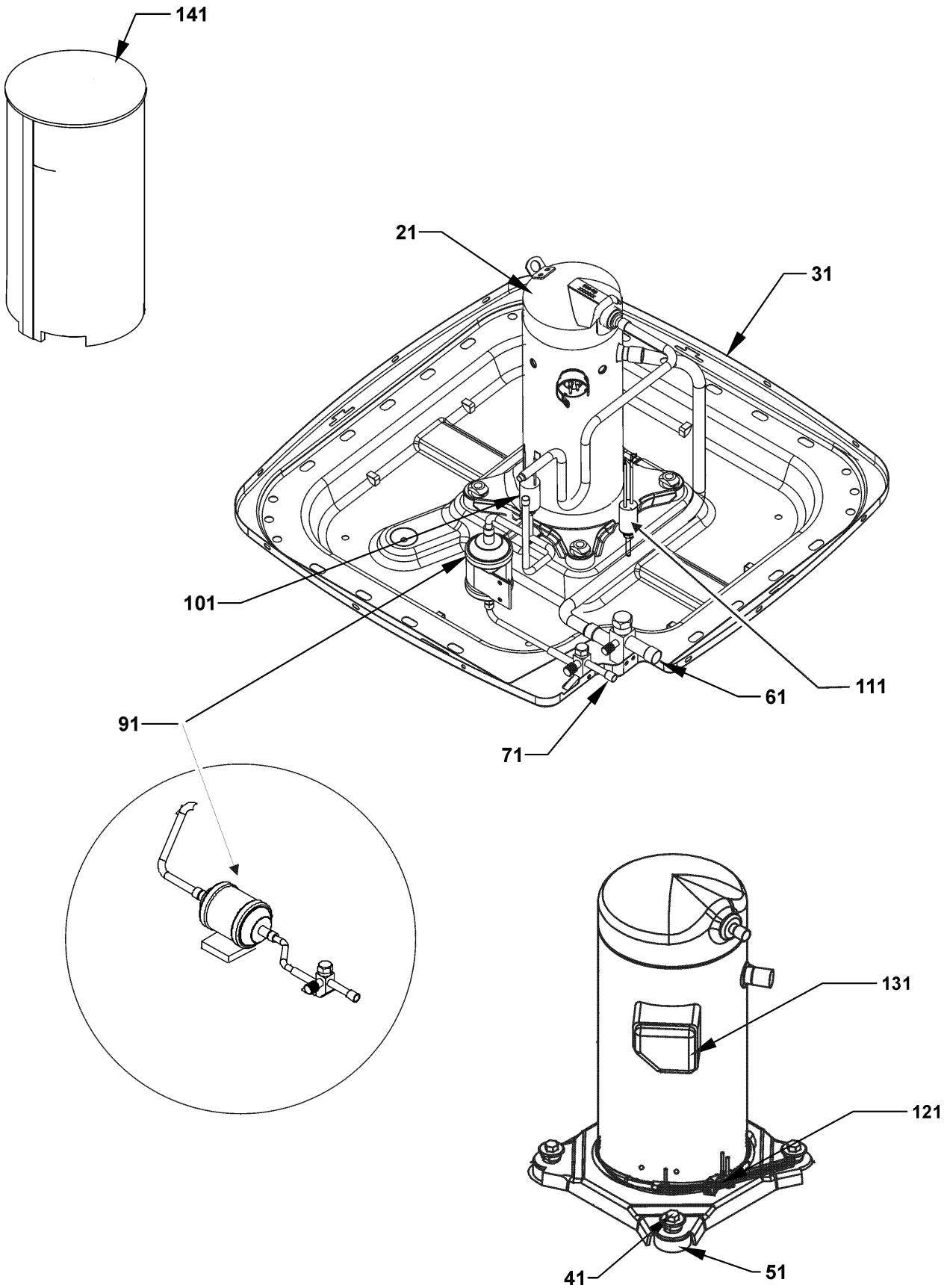
Cabinet Top / Side Panels



Cabient Top / Side Panels

Ref. Part No: No:	Description:	Ref. Part No: No:	Description:
Image 1:		Image 1:	
11	0121R00576PNG TOP PANEL PAINTED, 29" (M7, M8)	141	0201R00433 COIL TUBING ASSY (M15, M16, M20, M21)
11	0121R00011PNG TOP PANEL, VENTURI 29" PNT (M1, M2, M3, M4, M5, M6, M9, M10)	141	0201R00434 COIL TUBING ASSY (M17, M18, M19)
11	0121R00013PNG TOP PANEL, VENTURI 35" PNT (M11, M12, M13, M14, M15, M16, M17, M18, M19, M20, M21)	NS	0161R00038 GRILL CAP
21	0152R00011 GRILLE, WIRE 29" TOP (M1, M2, M3, M4, M5, M6, M9, M10)	NS	0121R00003 MOTOR MOUNT BRACKET (M17, M18, M19)
21	0152R00015 GRILLE, WIRE 29" TOP (M7, M8)	Expanded Model Nomenclature	
21	0152R00014 GRILLE, WIRE 35" TOP (M11, M12, M13, M14, M15, M16, M17, M18, M19, M20, M21)	M1	- DX16SA0181AA
31	0131M00061 COND MOTOR 1/4 HP, 1 SP, 8 PL (M15, M16, M20, M21)	M2	- DX16SA0181AB
31	0131M00060 COND MOTOR 1/6 HP, 1 SP, 8 PL (M1, M3, M5, M7, M9, M11, M13)	M3	- DX16SA0241AA
31	0131M00753 COND MOTOR, 1/6HP, 1SP, 8PL, AL (M2, M4, M6, M8, M10, M12, M14)	M4	- DX16SA0241AB
31	0131M00401 COND MOTOR, ECM (M17, M18, M19)	M5	- DX16SA0301AA
41	M0280801 HEX NUT (M1, M2, M3, M4, M5, M6, M7, M8, M9, M10, M11, M12, M13, M14, M15, M16, M20, M21)	M6	- DX16SA0301AB
41	B1393024 LOCK NUT (M17, M18, M19)	M7	- DX16SA0311AA
51	0150M00008 FAN BLADE 22" TNT2203-25 (M1, M2, M3, M4, M5, M6, M9, M10)	M8	- DX16SA0311AB
51	0150M00010 FAN BLADE 26" ALUM CCW (M17, M18, M19)	M9	- DX16SA0361AA
51	10625738 FAN BLADE 26" ALUM CCW (M11, M12, M13, M14, M15, M16, M20, M21)	M10	- DX16SA0361AB
51	B1086764 FAN BLADE TYPE 2 (M7, M8)	M11	- DX16SA0371AA
71	0163M00003P SCREW #10 X 1/2, A, SLOT, SR, BLACK (QTY 4)	M12	- DX16SA0371AB
91	0161R00002P CONDUIT (M1, M2, M3, M4, M5, M6, M7, M8, M9, M10)	M13	- DX16SA0421AA
91	0161R00004P CONDUIT (M11, M12, M13, M14, M15, M16, M20, M21)	M14	- DX16SA0421AB
111	0121R00200PNGB PANEL 1, BENT LOUVER PNT (M1, M2, M3, M4)	M15	- DX16SA0481AA
111	0121R00202PNGB PANEL 1, BENT LOUVER PNT (M5, M6)	M16	- DX16SA0481AB
111	0121R00203PNGB PANEL 1, BENT LOUVER PNT (M7, M8, M9, M10)	M17	- DX16SA0601AA
111	0121R00239PNGB PANEL 1, BENT LOUVER PNT (M11, M12, M13, M14)	M18	- DX16SA0601AB
111	0121R00240PNGB PANEL 1, BENT LOUVER PNT (M15, M16, M20, M21)	M19	- DX16SA0601AC
111	4400464PNGB PANEL 1, BENT LOUVER PNT (M17, M18, M19)	M20	- DX16SA0611AA
121	0121R00204PNGB LOUVER, SIDE PANEL, BENT (M1, M2, M3, M4)	M21	- DX16SA0611AB
121	0121R00205PNGB LOUVER, SIDE PANEL, BENT (M5, M6)		
121	0121R00206PNGB LOUVER, SIDE PANEL, BENT (M7, M8, M9, M10)		
121	0121R00243PNGB LOUVER, SIDE PANEL, BENT (M11, M12, M13, M14)		
121	0121R00244PNGB LOUVER, SIDE PANEL, BENT (M15, M16, M20, M21)		
121	4400466PNGB LOUVER, SIDE PANEL, BENT (M17, M18, M19)		
131	0121R00193PNG PANEL 3, LOUVERED (M1, M2, M3, M4)		
131	0121R00194PNG PANEL 3, LOUVERED (M5, M6)		
131	0121R00195PNG PANEL 3, LOUVERED (M7, M8, M9, M10)		
131	0121R00247PNG PANEL 3, LOUVERED (M11, M12, M13, M14)		
131	0121R00248PNG PANEL 3, LOUVERED (M15, M16, M20, M21)		
131	4400468PNG PANEL 3, LOUVERED (M17, M18, M19)		
141	0201R00236 COIL TUBING ASSY (M7, M8, M9, M10)		
141	0201R00296 COIL TUBING ASSY (M1, M2, M3, M4)		
141	0201R00311 COIL TUBING ASSY (M11, M12, M13, M14)		
141	0201R00315 COIL TUBING ASSY (M5, M6)		

Compressor / Tubing Assembly



Compressor / Tubing Assembly

**Ref. Part
No: No:**

Description:

**Ref. Part
No: No:**

Description:

Image 1:

21	ZP14K5EPFV130	COMP, 14650,208/230/60/1 (M1, M2)
21	ZP24K5EPFV130	COMP,24000,208/230/60/1 (M5, M6, M7, M8)
21	ZP29K5EPFV130	COMP,29000,208/230/60/1 (M9, M10)
21	ZP31K6EPFV130	COMP,42500,208/230/60/1 (M11, M12)
21	ZP44K5EPFV130	COMP,44400,280/230/60/1 (M17, M18, M19)
21	ZP49K5EPFV130	COMP,49400,208/230/60/1 (M20, M21)
21	ZP20K5EPFV130	COMPRESSOR 20000, 208/230/60/1 (M3, M4)
21	ZP34K5EPFV130	COMPRESSOR 34500, 208/230/60/1 (M13, M14)
21	ZP36K5EPFV130	COMPRESSOR 36200, 208/230/60/1 (M15, M16)
31	0121R00006PNG	BASE PAN 29" (M1, M2, M3, M4, M5, M6, M7, M8, M9, M10)
31	0121R00007PNG	BASE PAN 35" (M11, M12, M13, M14, M15, M16, M17, M18, M19, M20, M21)
41	M0221641	TF SHOULDER SCREW (QTY 4)
51	B1339533	COMPRESSOR GROMMET (QTY 4)
61	0151R00081	7/8" BALL VALVE (M16, M18, M19, M21)
61	0151R00079	BASE VALVE 3/4" (M1, M2, M3, M4)
61	0151R00080	BASE VALVE 7/8" (M5, M6, M7, M8, M9, M10, M11, M12, M13, M14, M15, M17, M20)
71	0151R00078	BASE VALVE 3/8" (M1, M2, M3, M4, M5, M6, M7, M8, M9, M10, M11, M12, M13, M14, M15, M16, M20, M21)
91	0162R00009	FILTER DRIER
101	0130R00056	CUT-OUT SWITCH, HIGH PRESSURE
111	0130M00082	LOW PRESSURE SWITCH
121	0163R00003	HEATER, CRANKCASE 230V 40W (M17, M18, M19)
131	0159R00001P	COMPRESSOR SCROLL HARNESS (M1, M2, M3, M4, M5, M6, M7, M8, M9, M10)
131	0159R00002P	COMPRESSOR SCROLL HARNESS (M11, M12, M13, M14, M15, M16, M17, M18, M19, M20, M21)
141	B1488806	COMPRESSOR SOUND BLANKET (M13, M14, M15, M16, M17, M18, M19, M20, M21)
141	B1488807	COMPRESSOR SOUND BLANKET (M7, M8, M9, M10, M11, M12)
141	B1488810	COMPRESSOR SOUND BLANKET (M1, M2, M3, M4, M5, M6)
NS	B1789872	FLOW CHECK PISTON KIT (M9, M10, M11, M12)
NS	B1789886	FLOW CHECK PISTON KIT (M17, M18, M19)
NS	B1789849	FLOW CHECK PISTON KIT .049 (M1, M2)
NS	B1789857	FLOW CHECK PISTON KIT .057 (M3, M4)
NS	B1789865	FLOW CHECK PISTON KIT .065 (M5, M6, M7, M8)
NS	B1789874	FLOW CHECK PISTON KIT .074 (M13, M14)
NS	B1789878	FLOW CHECK PISTON KIT .078 (M15, M16)
NS	B1789888	FLOW CHECK PISTON KIT .088 (M20, M21)

Expanded Model Nomenclature

M1 - DX16SA0181AA
M2 - DX16SA0181AB
M3 - DX16SA0241AA
M4 - DX16SA0241AB
M5 - DX16SA0301AA
M6 - DX16SA0301AB
M7 - DX16SA0311AA
M8 - DX16SA0311AB
M9 - DX16SA0361AA
M10 - DX16SA0361AB
M11 - DX16SA0371AA
M12 - DX16SA0371AB
M13 - DX16SA0421AA
M14 - DX16SA0421AB
M15 - DX16SA0481AA
M16 - DX16SA0481AB
M17 - DX16SA0601AA
M18 - DX16SA0601AB
M19 - DX16SA0601AC
M20 - DX16SA0611AA
M21 - DX16SA0611AB