

## DX14SN Remote Condensing Unit

DX14SN0181BB  
DX14SN0181BC  
DX14SN0181BE  
DX14SN0191AC  
DX14SN0191AE  
DX14SN0241BB  
DX14SN0241BE  
DX14SN0251BB  
DX14SN0251BD  
DX14SN0301AD  
DX14SN0311AD  
DX14SN0361AD  
DX14SN0361AF  
DX14SN0361AG  
DX14SN0371AD  
DX14SN0371AF  
DX14SN0421AD  
DX14SN0421AF  
DX14SN0431AD  
DX14SN0431AF  
DX14SN0481AC  
DX14SN0481AE  
DX14SN0601AC  
DX14SN0601AE



This manual is to be used by qualified technicians only.

This manual replaces RP-D4316B.

# Important Information

---

## Index

Functional Parts List .....	3
Illustration and Parts .....	4 - 9

*Views shown are for parts illustrations only, not servicing procedures*

### Text Codes:

AR - As Required

NA - Not Available

NS - Not Shown

00000000 - See Note

QTY - Quantity Example (QTY 3) (If Quantity not shown, Quantity = 1)

M - Model Example (M1) (If M Code not shown, then part is used on all Models)

### Expanded Model Nomenclature:

Example M1 - Model#1 M2 - Model#2 M3 - Model#3
---

Daikin Manufacturing Company, L.P. is not responsible for personal injury or property damage resulting from improper service. Review all service information before beginning repairs.

Warranty service must be performed by an authorized technician, using authorized factory parts. If service is required after the warranty expires, Daikin Manufacturing Company, L.P. also recommends contacting an authorized technician and using authorized factory parts.

Daikin Manufacturing Company, L.P. reserves the right to discontinue, or change at any time, specifications or designs without notice or without incurring obligations.

For assistance within the U.S.A. contact:

Homeowner Support  
Daikin North America, LLC  
19001 Kermier Road  
Waller, Texas 77484  
855-770-5678-Telephone  
713-863-2382-Facsimile

For assistance outside the U.S.A. contact:

International Division  
Daikin North America, LLC  
19001 Kermier Road  
Waller, Texas 77484  
713-861-2500-Telephone  
713-863-2382-Facsimile

# Functional Parts

**Part No:**            **Description:**

50N382YV-ZAKM	1.5T RECHI COMPRESSOR (4-LEGS) (M1, M2, M3)
0131M00811	1/8 HP 8 PL PSC MOTOR (M2, M4, M6, M8)
0131M00266	1/8 HP 8 PL PSC MOTOR (M1)
50N492ZV-ZAKM	2.0TONRECHI COMPR.4 LEGS (M6, M7)
0151R00185	BASE VALVE 3/4" (M1, M2, M3, M4, M5, M6, M7, M8, M9, M10, M11, M12, M13, M14, M15, M16)
0151R00187	BASE VALVE 3/8"
0151R00186	BASE VALVE 7/8" (M17, M18, M19, M20, M21, M22, M23, M24)
0150M00012	BLADE-FAN 20" CCW (M1, M2, M3, M4, M5, M6, M7, M8, M9)
CAP050400440CT	CAP, 5/40 MFD/440V/DUAL RD (M10, M11)
CAP050450440CT	CAP, 5/45 MFD/440V/DUAL RD (M6, M7, M12, M13, M14, M15, M16, M17, M18, M19, M20, M21, M22)
CAP050700440CT	CAP, 5/70 MFD/440V/DUAL RD (M23, M24)
CAP050300440CS	CAP,5/30MFD/440V/DUAL RD (M1, M2, M3, M4, M5, M8, M9)
ZP14K6EPFV120	COMP, 20200, 208/230/60/1 (M4, M5)
ZP24K6EPFV120	COMP, 32500, 208/230/60/1 (M11)
ZP29K6EPFV120	COMP, 39700, 208/230/60/1 (M13, M14, M15, M16)
ZP20K5EPFV130	COMP,20000,208/230/60/1 (M8, M9)
ZP24K5EPFV130	COMP,24000,208/230/60/1 (M10)
ZP29K5EPFV130	COMP,29000,208/230/60/1 (M12)
ZP31K5EPFV130	COMP,31100,208/230/60/1 (M17, M18, M19, M20)
ZP38K5EPFV130	COMP,37500,208/230/60/1 (M21, M22)
ZP49K5EPFV130	COMP,49400,208/230/60/1 (M23, M24)
CONT1P025024V	CONTACTOR 25 AMP, 1P, 24V (M1, M2, M3, M4, M5, M6, M7, M8, M9, M10, M11, M12, M13, M14, M15, M16, M17, M18, M19, M20)
CONT1P030024V	CONTACTOR 30 AMP, 1P, 24V (M21, M22, M23, M24)
0150M00008	FAN BLADE, 22" TNT2203-25 (M10, M11, M12, M13, M14, M15, M16, M17, M18, M19, M20)
0150M00066	FAN BLADE, 26" (M21, M22, M23, M24)
0131M00968	MOTOR, 1/4HP, 1SP, 8PL, AL (M22, M24)
0131M00807	MOTOR, 1/4HP,1SP,8PL,AL (M21, M23)
0131M00971	MOTOR, 1/6HP, 1SP, 8PL, AL (M10, M11, M14, M16, M18, M20)
0131M00753	MOTOR, 1/6HP, 1SP, 8PL, AL (M12, M13, M15, M17, M19)
0131M00969	MOTOR, 1/8HP, 8PL, PSC (M3, M5, M7, M9)
0130M00089	SW-CUTOUT HI PRESS (M1, M2, M3, M6, M7)

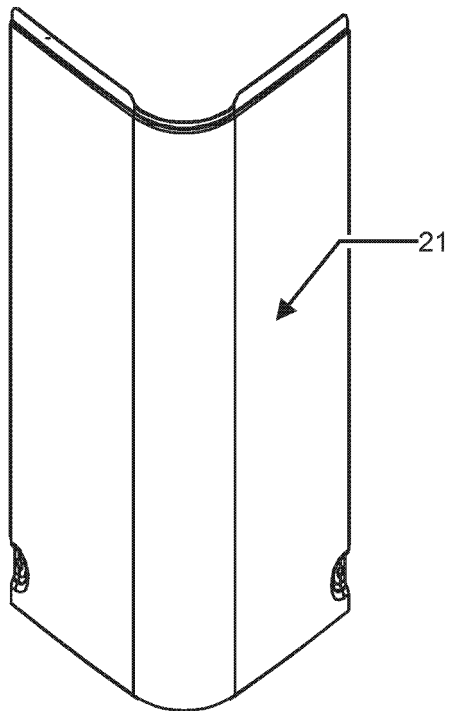
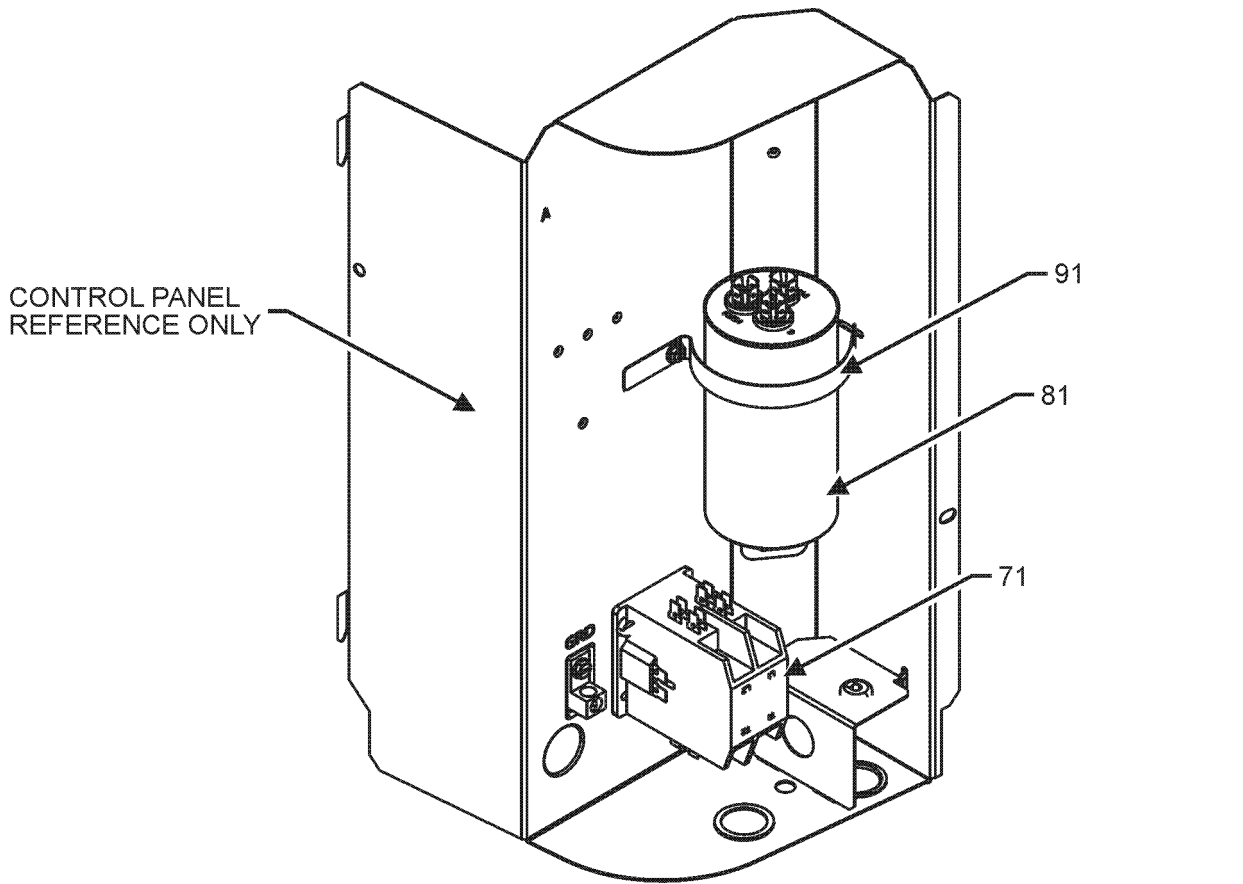
## Expanded Model Nomenclature

M1 - DX14SN0181BB
M2 - DX14SN0181BC
M3 - DX14SN0181BE
M4 - DX14SN0191AC
M5 - DX14SN0191AE
M6 - DX14SN0241BB
M7 - DX14SN0241BE
M8 - DX14SN0251BB
M9 - DX14SN0251BD
M10 - DX14SN0301AD
M11 - DX14SN0311AD
M12 - DX14SN0361AD
M13 - DX14SN0361AF
M14 - DX14SN0361AG
M15 - DX14SN0371AD
M16 - DX14SN0371AF
M17 - DX14SN0421AD
M18 - DX14SN0421AF
M19 - DX14SN0431AD
M20 - DX14SN0431AF
M21 - DX14SN0481AC
M22 - DX14SN0481AE
M23 - DX14SN0601AC
M24 - DX14SN0601AE

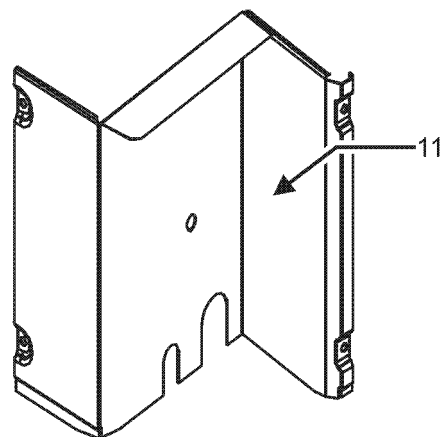
## SPECIAL PARTS

0161R00093	NAMEPLATE, DAIKIN
------------	-------------------

# Control Box Assembly



UPPER ACCESS PANEL



LOWER ACCESS PANEL

# Control Box Assembly

Ref. Part No:	Part No:	Description:	Ref. Part No:	Part No:	Description:
---------------	----------	--------------	---------------	----------	--------------

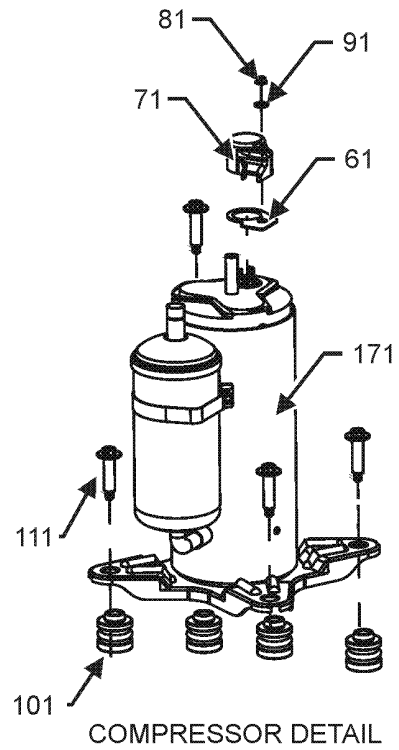
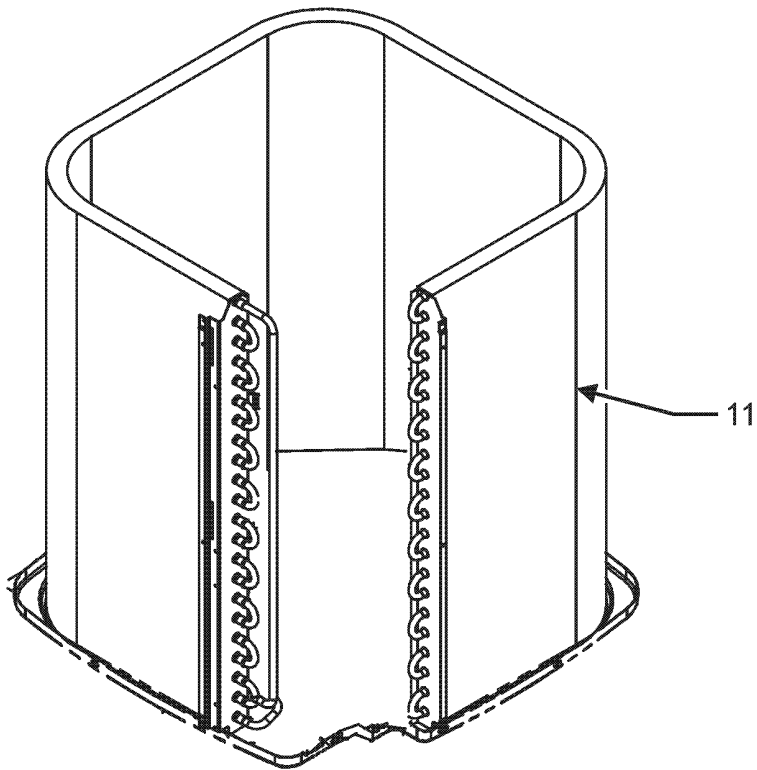
**Image 1:**

11	0121R00909PNG	PNL, LWR ACCESS (M23, M24)
11	0121R00912PNG	PNL, LWR ACCESS (M17, M18, M19, M20, M21, M22)
11	0121R00915PNG	PNL, LWR ACCESS (M1, M2, M3, M4, M5, M6, M7)
11	0121R00919PNG	PNL, LWR ACCESS (M8, M9, M10, M11, M12, M13, M14, M15, M16)
21	0121R00053PNG	CONTROL COVER, SMALL PNT
71	CONT1P025024V	CONTACTOR 25 AMP, 1P, 24V (M1, M2, M3, M4, M5, M6, M7, M8, M9, M10, M11, M12, M13, M14, M15, M16, M17, M18, M19, M20)
71	CONT1P030024V	CONTACTOR 30 AMP, 1P, 24V (M21, M22, M23, M24)
81	CAP050400440CT	CAP, 5/40 MFD/440V/DUAL RD (M10, M11)
81	CAP050450440CT	CAP, 5/45 MFD/440V/DUAL RD (M6, M7, M12, M13, M14, M15, M16, M17, M18, M19, M20, M21, M22)
81	CAP050700440CT	CAP, 5/70 MFD/440V/DUAL RD (M23, M24)
81	CAP050300440CS	CAP,5/30MFD/440V/DUAL RD (M1, M2, M3, M4, M5, M8, M9)
91	4400065	CAPACITOR STRAP
NS	0161R00093	NAMEPLATE, DAIKIN

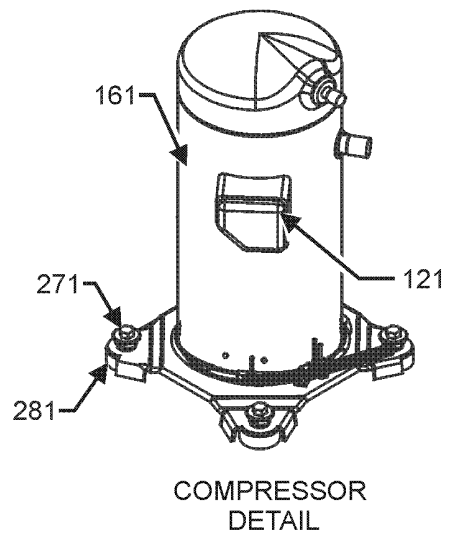
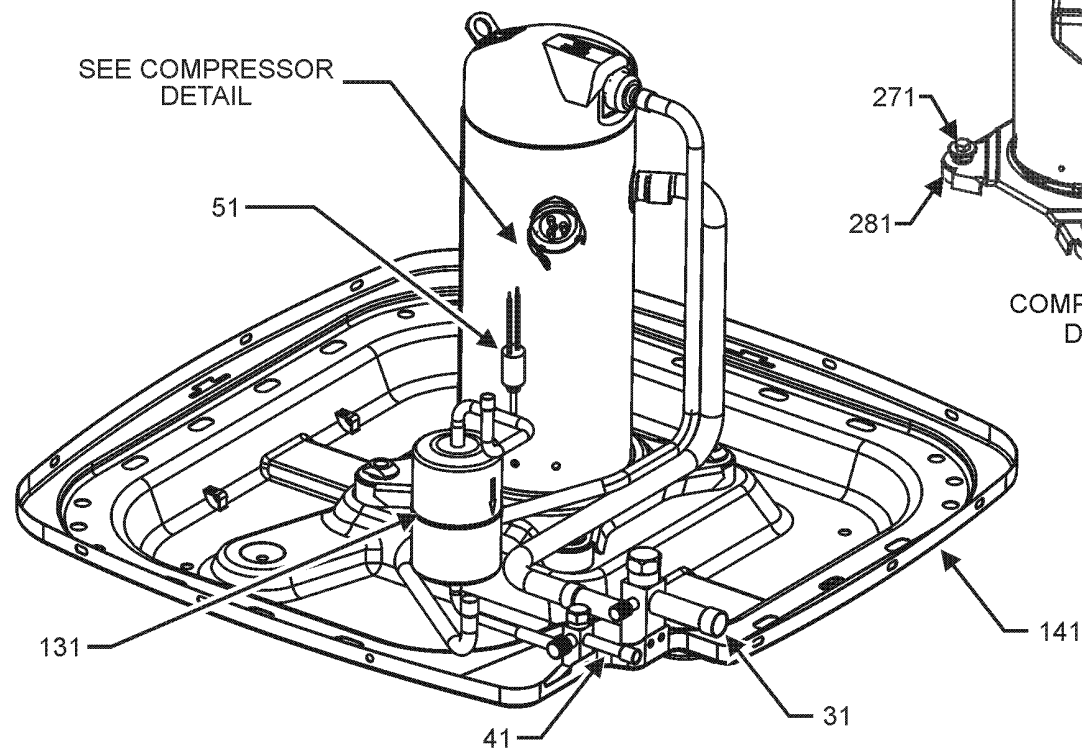
**Expanded Model Nomenclature**

- M1 - DX14SN0181BB
- M2 - DX14SN0181BC
- M3 - DX14SN0181BE
- M4 - DX14SN0191AC
- M5 - DX14SN0191AE
- M6 - DX14SN0241BB
- M7 - DX14SN0241BE
- M8 - DX14SN0251BB
- M9 - DX14SN0251BD
- M10 - DX14SN0301AD
- M11 - DX14SN0311AD
- M12 - DX14SN0361AD
- M13 - DX14SN0361AF
- M14 - DX14SN0361AG
- M15 - DX14SN0371AD
- M16 - DX14SN0371AF
- M17 - DX14SN0421AD
- M18 - DX14SN0421AF
- M19 - DX14SN0431AD
- M20 - DX14SN0431AF
- M21 - DX14SN0481AC
- M22 - DX14SN0481AE
- M23 - DX14SN0601AC
- M24 - DX14SN0601AE

# Tubing and Compressor Assembly



TUBING ASSEMBLY MAY DIFFER FROM WHAT IS SHOWN



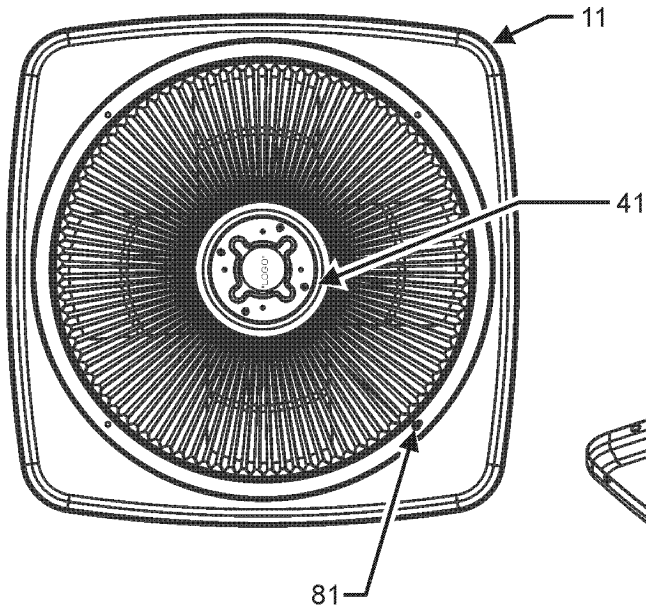
# Tubing and Compressor Assembly

Ref. Part No:	Ref. Part No:	Description:	Description:	
<b>Image 1:</b>		<b>Image 1:</b>		
11	0201R00296	COIL TUBING ASSEMBLY (M11, M13, M14, M15, M16)	281 B1339533 COMPRESSOR GROMMET (M13, M14, M15)	
11	0201R00253	COIL TUBING ASSY (M10)	NS B1789851 FLOW CHECK PISTON KIT (M1, M2, M3)	
11	0201R00278	COIL TUBING ASSY (M12)	NS B1789853 FLOW CHECK PISTON KIT (M4, M5)	
11	0201R00385	COIL TUBING ASSY (M21, M22)	NS B1789857 FLOW CHECK PISTON KIT (M6, M7, M8, M9)	
11	0201R00433	COIL TUBING ASSY (M23, M24)	NS B1789863 FLOW CHECK PISTON KIT (M11)	
11	0201R00458	COIL TUBING ASSY (M1, M2, M3, M4, M5, M6, M7)	NS B1789865 FLOW CHECK PISTON KIT (M10)	
11	0201R00566	COIL TUBING ASSY (M17, M18, M19, M20)	NS B1789868 FLOW CHECK PISTON KIT (M12, M13, M14)	
11	0201R00666	COIL TUBING ASSY (M8, M9)	NS B1789871 FLOW CHECK PISTON KIT (M15, M16)	
31	0151R00185	BASE VALVE 3/4" (M1, M2, M3, M4, M5, M6, M7, M8, M9, M10, M11, M12, M13, M14, M15, M16)	NS B1789874 FLOW CHECK PISTON KIT (M17, M18, M19, M20)	
31	0151R00186	BASE VALVE 7/8" (M17, M18, M19, M20, M21, M22, M23, M24)	NS B1789878 FLOW CHECK PISTON KIT (M21, M22)	
41	0151R00187	BASE VALVE 3/8"	NS B1789888 FLOW CHECK PISTON KIT (M23, M24)	
51	0130M00089	SW-CUTOUT HI PRESS (M1, M2, M3, M6, M7)	<b>Expanded Model Nomenclature</b>	
61	60100107	TERMINAL COVER GASKET (M1, M2, M3, M6, M7)	M1 - DX14SN0181BB	
71	60100317	TERMINAL COVER (M1, M2, M3, M6, M7)	M2 - DX14SN0181BC	
81	60100401	TERMINAL NUT - RECHI COMP (M1, M2, M3, M6, M7)	M3 - DX14SN0181BE	
91	60100201	WASHER - RECHI COMPRESSOR (M1, M2, M3, M6, M7)	M4 - DX14SN0191AC	
101	60140209	GROMMET - RECHI COMPRESSOR (M1, M2, M3, M6, M7)	M5 - DX14SN0191AE	
111	0163M00186	SCREW-SHOULDER TF (M1, M2, M3, M6, M7)	M6 - DX14SN0241BB	
121	0159R00019	HARNESS, COMP SCROLL (M5, M9)	M7 - DX14SN0241BE	
121	0159R00020	HARNESS, COMP SCROLL (M10, M11, M16, M18, M20)	M8 - DX14SN0251BB	
121	0159R00021	HARNESS, COMP SCROLL (M22)	M9 - DX14SN0251BD	
121	0159R00000P	HARNESS, COMP SCROLL 130 36" (M4, M8)	M10 - DX14SN0301AD	
121	0159R00001P	HARNESS, COMP SCROLL 130 42" (M12, M13, M14, M15, M17, M19)	M11 - DX14SN0311AD	
121	0159R00002P	HARNESS, COMP SCROLL 130 46" (M21)	M12 - DX14SN0361AD	
121	0159R00017	HARNESS, COMP-SCROLL (M23, M24)	M13 - DX14SN0361AF	
131	0162R00009	DRIER - FILTER (M4, M21)	M14 - DX14SN0361AG	
131	0162R00057	FILTER DRIER (M1, M2, M3, M5, M6, M7, M8, M9, M10, M11, M12, M13, M14, M15, M16, M17, M18, M19, M20, M22, M23, M24)	M15 - DX14SN0371AD	
141	0121R00005PNG	BASE PAN, 26" PNT (M1, M2, M3, M4, M5, M6, M7, M8, M9)	M16 - DX14SN0371AF	
141	0121R00006PNG	BASE PAN, 29" PNT (M10, M11, M12, M13, M14, M15, M16, M17, M18, M19, M20)	M17 - DX14SN0421AD	
141	0121R00007PNG	BASE PAN, 35.5" PNT (M21, M22, M23, M24)	M18 - DX14SN0421AF	
161	ZP14K6EPFV120	COMP, 20200, 208/230/60/1 (M4, M5)	M19 - DX14SN0431AD	
161	ZP24K6EPFV120	COMP, 32500, 208/230/60/1 (M11)	M20 - DX14SN0431AF	
161	ZP29K6EPFV120	COMP, 39700, 208/230/60/1 (M13, M14, M15, M16)	M21 - DX14SN0481AC	
161	ZP20K5EPFV130	COMP, 20000, 208/230/60/1 (M8, M9)	M22 - DX14SN0481AE	
161	ZP24K5EPFV130	COMP, 24000, 208/230/60/1 (M10)	M23 - DX14SN0601AC	
161	ZP29K5EPFV130	COMP, 29000, 208/230/60/1 (M12)	M24 - DX14SN0601AE	
161	ZP31K5EPFV130	COMP, 31100, 208/230/60/1 (M17, M18, M19, M20)		
161	ZP38K5EPFV130	COMP, 37500, 208/230/60/1 (M21, M22)		
161	ZP49K5EPFV130	COMP, 49400, 208/230/60/1 (M23, M24)		
171	50N382YV-ZAKM	1.5T RECHI COMPRESSOR (4-LEGS) (M1, M2, M3)		
171	50N492ZV-ZAKM	2.0TONRECHI COMPRESSOR (4-LEGS) (M6, M7)		
271	M0221641	TF SHOULDER SCREW (M13, M14, M15)		

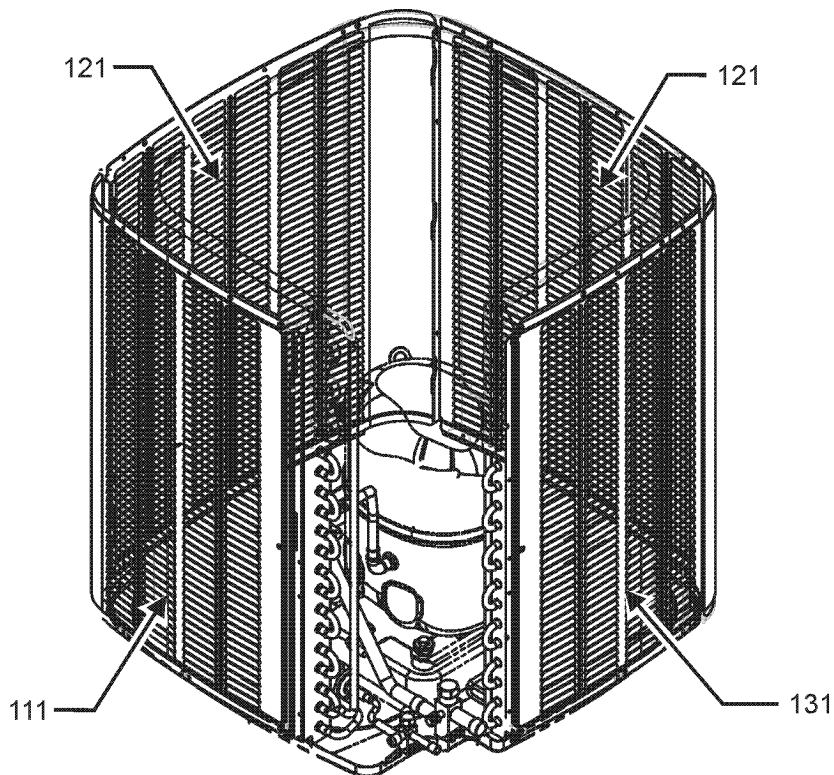
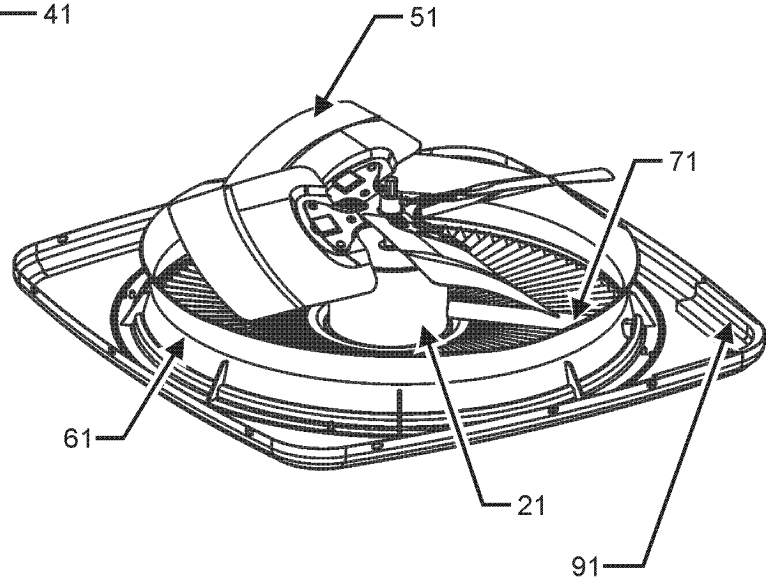
# Top and Louver Panel Assembly

TOP PANEL ASSEMBLY

TOP VIEW



BOTTOM VIEW



LOUVER PANEL ASSEMBLY

# Top and Louver Panel Assembly

Ref. Part No:	No:	Description:	Ref. Part No:	No:	Description:																								
<b>Image 1:</b>			<b>Image 1:</b>																										
11	0121R00008PNG	PANEL, TOP 26" PNT (M1, M2, M3, M4, M5, M6, M7, M8, M9)	131	0121R00193PNG	LOUVER, SIDE PANEL (M10, M11, M12, M13, M14, M15, M16)																								
11	0121R00010PNG	PANEL, TOP 29" PNT (M10, M11, M12, M13, M14, M15, M16, M17, M18, M19, M20)	131	0121R00194PNG	LOUVER, SIDE PANEL (M17, M18, M19, M20)																								
11	0121R00269PNG	Top Panel, 35" Pnt (M21, M22, M23, M24)	131	0121R00196PNG	LOUVER, SIDE PANEL (M1, M2, M3, M4, M5, M6, M7)																								
21	0131M00266	1/8 HP 8 PL PSC MOTOR (M1)	131	0121R00197PNG	LOUVER, SIDE PANEL (M8, M9)																								
21	0131M00811	1/8 HP 8 PL PSC MOTOR (M2, M4, M6, M8)	131	0121R00247PNG	LOUVERED SIDE PANEL [RT OF CNTL PNL] (M21, M22)																								
21	0131M00968	MOTOR, 1/4HP, 1SP, 8PL, AL (M22, M24)	131	0121R00248PNG	LOUVERED SIDE PANEL [RT OF CNTL PNL] (M23, M24)																								
21	0131M00807	MOTOR, 1/4HP, 1SP, 8PL, AL (M21, M23)	NS	0163M00005P	WASHER, BLACK (.50 OD .218D) (QTY 4)																								
21	0131M00753	MOTOR, 1/6HP, 1SP, 8PL, AL (M12, M13, M15, M17, M19)	<b>Expanded Model Nomenclature</b>																										
21	0131M00971	MOTOR, 1/6HP, 1SP, 8PL, AL (M10, M11, M14, M16, M18, M20)	<table border="1"> <tr><td>M1 - DX14SN0181BB</td></tr> <tr><td>M2 - DX14SN0181BC</td></tr> <tr><td>M3 - DX14SN0181BE</td></tr> <tr><td>M4 - DX14SN0191AC</td></tr> <tr><td>M5 - DX14SN0191AE</td></tr> <tr><td>M6 - DX14SN0241BB</td></tr> <tr><td>M7 - DX14SN0241BE</td></tr> <tr><td>M8 - DX14SN0251BB</td></tr> <tr><td>M9 - DX14SN0251BD</td></tr> <tr><td>M10 - DX14SN0301AD</td></tr> <tr><td>M11 - DX14SN0311AD</td></tr> <tr><td>M12 - DX14SN0361AD</td></tr> <tr><td>M13 - DX14SN0361AF</td></tr> <tr><td>M14 - DX14SN0361AG</td></tr> <tr><td>M15 - DX14SN0371AD</td></tr> <tr><td>M16 - DX14SN0371AF</td></tr> <tr><td>M17 - DX14SN0421AD</td></tr> <tr><td>M18 - DX14SN0421AF</td></tr> <tr><td>M19 - DX14SN0431AD</td></tr> <tr><td>M20 - DX14SN0431AF</td></tr> <tr><td>M21 - DX14SN0481AC</td></tr> <tr><td>M22 - DX14SN0481AE</td></tr> <tr><td>M23 - DX14SN0601AC</td></tr> <tr><td>M24 - DX14SN0601AE</td></tr> </table>			M1 - DX14SN0181BB	M2 - DX14SN0181BC	M3 - DX14SN0181BE	M4 - DX14SN0191AC	M5 - DX14SN0191AE	M6 - DX14SN0241BB	M7 - DX14SN0241BE	M8 - DX14SN0251BB	M9 - DX14SN0251BD	M10 - DX14SN0301AD	M11 - DX14SN0311AD	M12 - DX14SN0361AD	M13 - DX14SN0361AF	M14 - DX14SN0361AG	M15 - DX14SN0371AD	M16 - DX14SN0371AF	M17 - DX14SN0421AD	M18 - DX14SN0421AF	M19 - DX14SN0431AD	M20 - DX14SN0431AF	M21 - DX14SN0481AC	M22 - DX14SN0481AE	M23 - DX14SN0601AC	M24 - DX14SN0601AE
M1 - DX14SN0181BB																													
M2 - DX14SN0181BC																													
M3 - DX14SN0181BE																													
M4 - DX14SN0191AC																													
M5 - DX14SN0191AE																													
M6 - DX14SN0241BB																													
M7 - DX14SN0241BE																													
M8 - DX14SN0251BB																													
M9 - DX14SN0251BD																													
M10 - DX14SN0301AD																													
M11 - DX14SN0311AD																													
M12 - DX14SN0361AD																													
M13 - DX14SN0361AF																													
M14 - DX14SN0361AG																													
M15 - DX14SN0371AD																													
M16 - DX14SN0371AF																													
M17 - DX14SN0421AD																													
M18 - DX14SN0421AF																													
M19 - DX14SN0431AD																													
M20 - DX14SN0431AF																													
M21 - DX14SN0481AC																													
M22 - DX14SN0481AE																													
M23 - DX14SN0601AC																													
M24 - DX14SN0601AE																													
21	0131M00969	MOTOR, 1/8HP, 8PL, PSC (M3, M5, M7, M9)																											
41	0163M00006P	ACORN NUT 5/16 HEX BLACK (QTY 4)																											
51	0150M00012	BLADE-FAN 20" CCW (M1, M2, M3, M4, M5, M6, M7, M8, M9)																											
51	0150M00008	FAN BLADE, 22" TNT2203-25 (M10, M11, M12, M13, M14, M15, M16, M17, M18, M19, M20)																											
51	0150M00066	FAN BLADE, 26" (M21, M22, M23, M24)																											
61	0161R00048	MOLDED RING-VENTURI 22 (M12)																											
61	0161R00007P	RING, VENTURI 35" (M21, M22)																											
61	0161L00000	RING-VENTURI 22 (M10, M11, M13, M14, M15, M16, M17, M18, M19, M20)																											
71	0161R00001P	CONDUIT (M1, M2, M3, M4, M5, M6, M7, M8, M9)																											
71	0161R00002P	CONDUIT (M10, M11, M12, M13, M14, M15, M16, M17, M18, M19, M20)																											
71	0161R00004P	CONDUIT (M21, M22)																											
71	0161R00005P	CONDUIT (M23, M24)																											
81	0163M00004	SCREW #10X3/4", BLACK (M10, M11, M12, M13, M14, M15, M16, M17, M18, M19, M20, M21, M22)																											
81	0163M00003P	SCREW.#10 X 1/2,A,SLOT,SR,BLK (M1, M2, M3, M4, M5, M6, M7, M8, M9, M23, M24)																											
91	0154R00006	GASKET, CONTROL PANEL																											
111	0121R00239PNGB	LOUVERED SIDE PANEL [LT OF CNTL PNL] (M21, M22)																											
111	0121R00240PNGB	LOUVERED SIDE PANEL [LT OF CNTL PNL] (M23, M24)																											
111	0121R00200PNGB	PANEL 1, BENT LOUVER PNT (M10, M11, M12, M13, M14, M15, M16)																											
111	0121R00202PNGB	PANEL 1, BENT LOUVER PNT (M17, M18, M19, M20)																											
111	0121R00207PNGB	PANEL 1, BENT LOUVER PNT (M1, M2, M3, M4, M5, M6, M7)																											
111	0121R00208PNGB	PANEL 1, BENT LOUVER PNT (M8, M9)																											
121	0121R00198PNGB	LOUVER, SIDE PANEL (M1, M2, M3, M4, M5, M6, M7)																											
121	0121R00199PNGB	LOUVER, SIDE PANEL (M8, M9)																											
121	0121R00204PNGB	LOUVER, SIDE PANEL (M10, M11, M12, M13, M14, M15, M16)																											
121	0121R00205PNGB	LOUVERED SIDE PANEL (M17, M18, M19, M20)																											
121	0121R00243PNGB	LOUVERED SIDE PANEL (M21, M22)																											
121	0121R00244PNGB	LOUVERED SIDE PANEL (M23, M24)																											