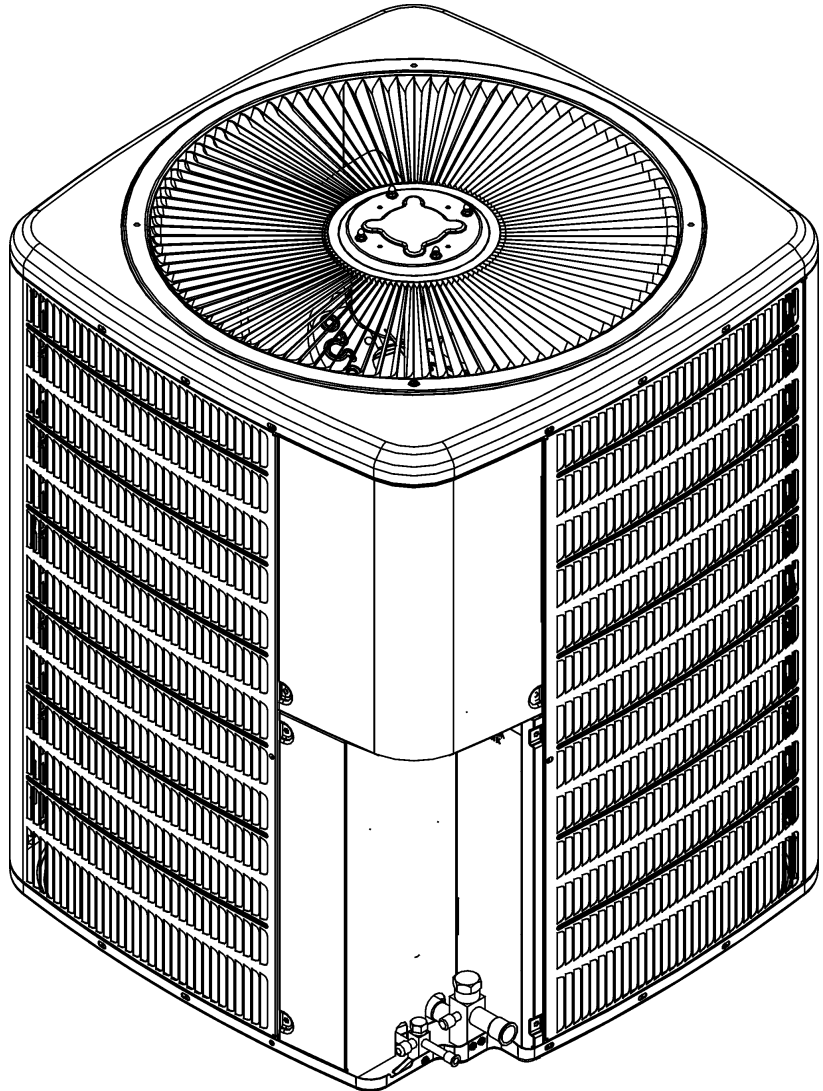


DX14SN Remote Condensing Unit

DX14SN0181AA
DX14SN0191AA
DX14SN0191AB
DX14SN0241AA
DX14SN0241AB
DX14SN0251AA
DX14SN0251BA
DX14SN0301AA
DX14SN0301AB
DX14SN0311AA
DX14SN0311AB
DX14SN0361AA
DX14SN0361AB
DX14SN0371AA
DX14SN0371AB
DX14SN0421AA
DX14SN0421AB
DX14SN0431AA
DX14SN0431AB
DX14SN0481AA
DX14SN0481AB
DX14SN0601AA
DX14SN0601AB



This manual is to be used by qualified technicians only.

This manual replaces RP-D4023C.

© 2014 - 2016 **DAIKIN MANUFACTURING COMPANY, L.P.** ♦ 5151 San Felipe St., Suite 500 ♦ Houston, TX 77056

Important Information

Index

Functional Parts List	3
Illustration and Parts	4 - 9

Views shown are for parts illustrations only, not servicing procedures

Text Codes:

AR - As Required

NA - Not Available

NS - Not Shown

00000000 - See Note

QTY - Quantity Example (QTY 3) (If Quantity not shown, Quantity = 1)

M - Model Example (M1) (If M Code not shown, then part is used on all Models)

Expanded Model Nomenclature:

Example M1 - Model#1 M2 - Model#2 M3 - Model#3

Daikin Manufacturing Company, L.P. is not responsible for personal injury or property damage resulting from improper service. Review all service information before beginning repairs.

Warranty service must be performed by an authorized technician, using authorized factory parts. If service is required after the warranty expires, Daikin Manufacturing Company, L.P. also recommends contacting an authorized technician and using authorized factory parts.

Daikin Manufacturing Company, L.P. reserves the right to discontinue, or change at any time, specifications or designs without notice or without incurring obligations.

For assistance within the U.S.A. contact:

Homeowner Support
Daikin North America, LLC
19001 Kermier Road
Waller, Texas 77484
855-770-5678-Telephone
713-863-2382-Facsimile

For assistance outside the U.S.A. contact:

International Division
Daikin North America, LLC
19001 Kermier Road
Waller, Texas 77484
713-861-2500-Telephone
713-863-2382-Facsimile

Functional Parts

Part

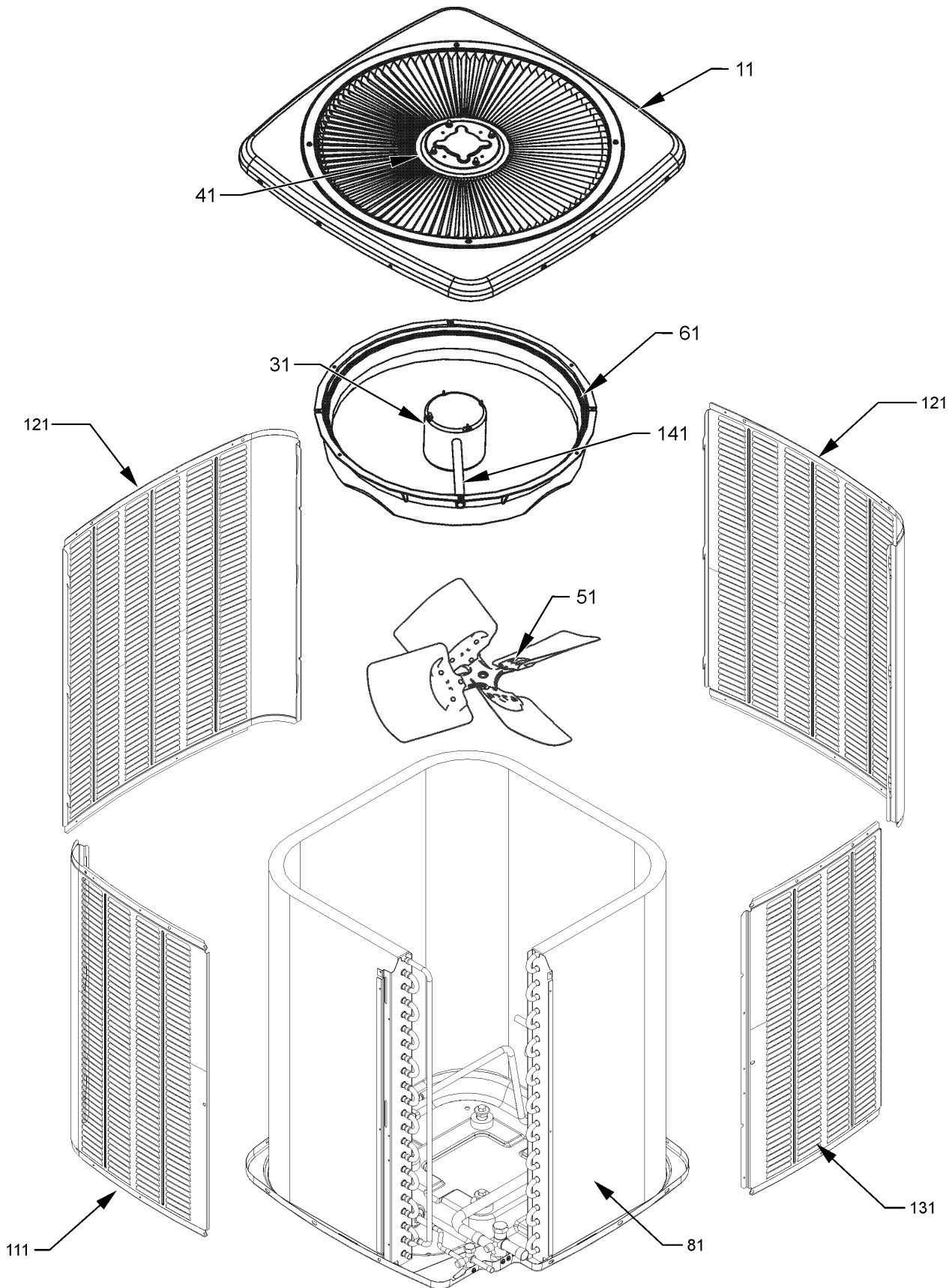
No: **Description:**

Part No:	Description:	Expanded Model Nomenclature
0151R00079	BASE VALVE 3/4" (M1, M2, M3, M4, M5, M6, M7, M8, M9, M10, M11, M12, M13, M14)	M1 - DX14SN0181AA
0151R00078	BASE VALVE 3/8"	M2 - DX14SN0191AA
0151R00080	BASE VALVE 7/8" (M15, M16, M17, M18, M19, M20, M21, M22)	M3 - DX14SN0191AB
CAP050300440CS	CAP, 5/30MFD/440V/DUAL RD (M1, M2, M3)	M4 - DX14SN0241AB
CAP050350440CS	CAPACITOR 5/35/440V (M4, M5, M6)	M5 - DX14SN0251AA
CAP050400440CT	CAPACITOR 5/40/440V/DUAL RD (M7, M8, M9, M10)	M6 - DX14SN0251BA
CAP050450440CT	CAPACITOR 5/45/440V/DUAL RD (M11, M12, M13, M14, M15, M16, M17, M18, M19, M20)	M7 - DX14SN0301AA
CAP050700440CT	CAPACITOR 5/70/440V/DUAL RD (M21, M22)	M8 - DX14SN0301AB
ZP14K6EPFV130	COMP, 14,000,208/230/60/1 (M2, M3)	M9 - DX14SN0311AA
ZP20K6EPFV130	COMP, 20,000,208/230/60/1 (M4, M5)	M10 - DX14SN0311AB
ZP24K6EPFV130	COMP, 24,000,208/230/60/1 (M9, M10)	M11 - DX14SN0361AA
ZP29K6EPFV130	COMP, 29,000,208/230/60/1 (M13, M14)	M12 - DX14SN0361AB
ZP24K5EPFV130	COMP, 24000,208/230/60/1 (M7, M8)	M13 - DX14SN0371AA
ZP29K5EPFV130	COMP, 29000,208/230/60/1 (M11, M12)	M14 - DX14SN0371AB
ZP49K5EPFV130	COMP, 49400,208/230/60/1 (M21, M22)	M15 - DX14SN0421AA
ZP16K5EPFV130	COMPRESSOR 15500, 208/230/60/1 (M1)	M16 - DX14SN0421AB
ZP20K5EPFV130	COMPRESSOR 20000, 208/230/60/1 (M6)	M17 - DX14SN0431AA
ZP31K5EPFV130	COMPRESSOR 31100, 208/230/60/1 (M15, M16, M17, M18)	M18 - DX14SN0431AB
ZP38K5EPFV130	COMPRESSOR 37500, 208/230/60/1 (M19, M20)	M19 - DX14SN0481AA
0131M00061	COND MOTOR 1/4 HP, 1 SP, 8 PL (M19, M20, M21, M22)	M20 - DX14SN0481AB
0131M00060	COND MOTOR 1/6 HP, 1 SP, 8 PL (M7, M9, M11, M13, M15, M17)	M21 - DX14SN0601AA
0131M00266	COND MOTOR 1/8 HP, 8 PL, PSC (M1, M2, M3, M4, M5, M6)	M22 - DX14SN0601AB
0131M00753	COND MOTOR, 1/6HP, 1SP, 8PL, AL (M8, M10, M12, M14, M16, M18)	
CONT1P025024V	CONTACTOR 25 AMP, 1P, 24V (M1, M2, M3, M4, M5, M6, M7, M8, M9, M10, M11, M12, M13, M14, M15, M16, M17, M18)	
CONT1P030024V	CONTACTOR 30 AMP, 1P, 24V (M19, M20, M21, M22)	
0150M00012	FAN BLADE 20" CCW (M1, M2, M3, M4, M5, M6)	
0150M00008	FAN BLADE 22" TNT2203-25 (M9, M10, M11, M12, M13, M14)	
10625738	FAN BLADE 26" ALUM CCW (M19, M20, M21, M22)	
B1086764	FAN BLADE TYPE 2 (M7, M8, M15, M16, M17, M18)	
CSR-U-1	HARD START KIT (M2)	

SPECIAL PARTS

0161R00036 DAIKIN NAMEPLATE

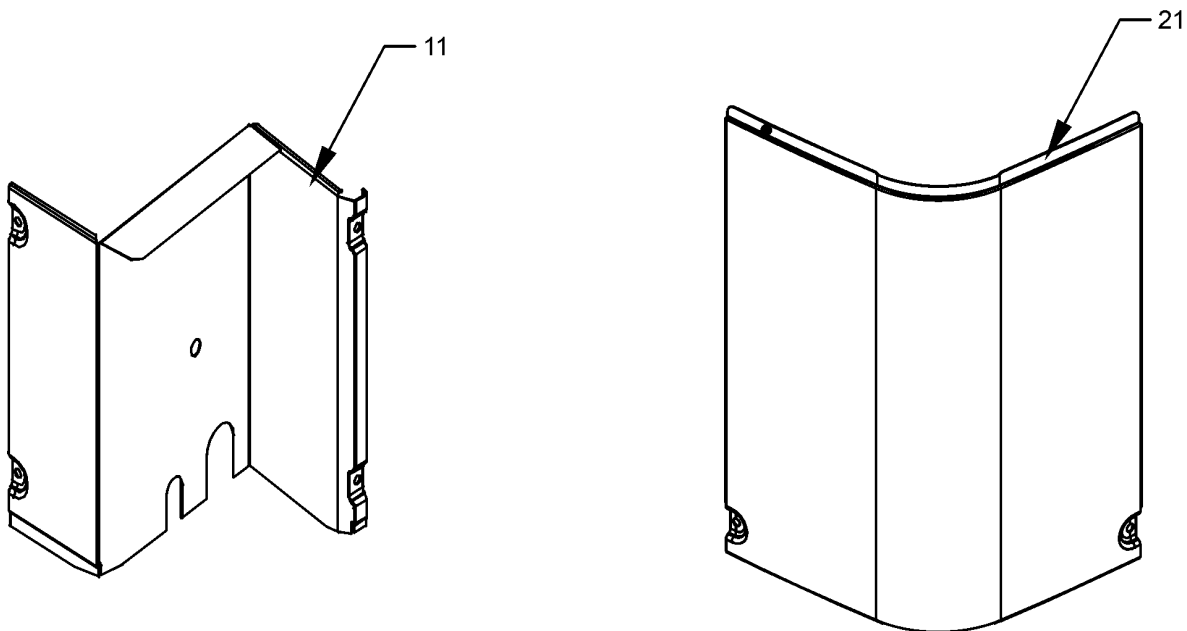
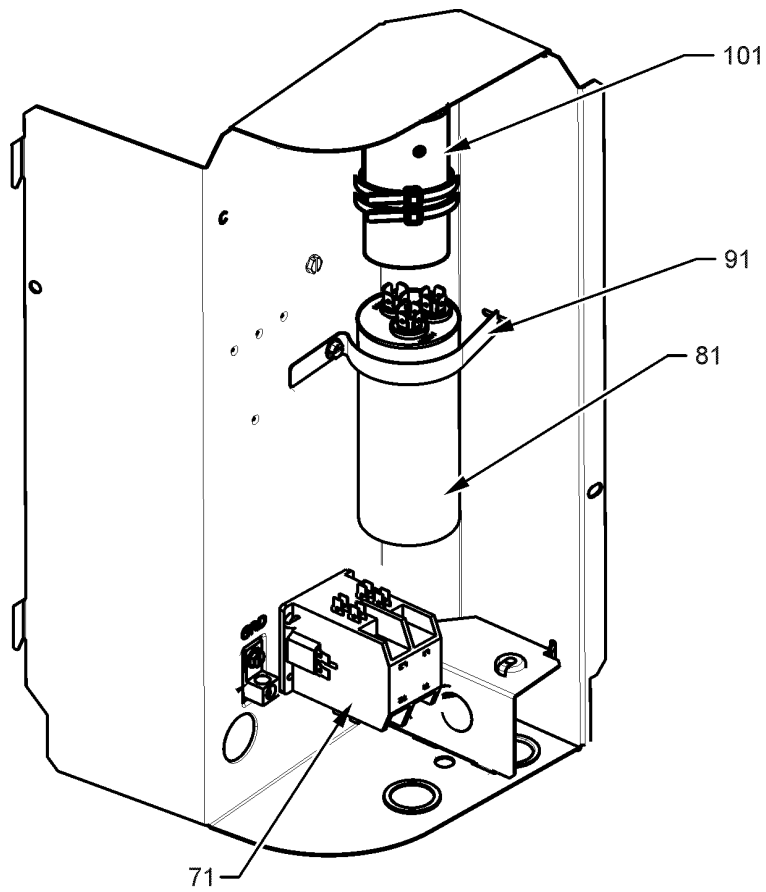
Cabinet Top & Side Panels



Cabinet Top & Side Panels

Ref. Part No: No:	Description:	Ref. Part No: No:	Description:																						
Image 1:		Image 1:																							
11	0121R00008PNG TOP PANEL 26" PNT (M1, M2, M3, M4, M5, M6)	131	0121R00248PNG LOUVERED SIDE PANEL [RT OF CNTL PNL] (M21, M22)																						
11	0121R00010PNG TOP PANEL 29" PNT (M7, M8, M9, M10, M11, M12, M13, M14, M15, M16, M17, M18)	141	0161R00001P CONDUIT (M1, M2, M3, M4, M5, M6)																						
11	0121R00269PNG TOP PANEL, 35" Pnt (M19, M20, M21, M22)	141	0161R00002P CONDUIT (M9, M10, M13, M14, M15, M16, M17, M18)																						
31	0131M00061 COND MOTOR 1/4 HP, 1 SP, 8 PL (M19, M20, M21, M22)	141	0161R00003P CONDUIT (M7, M8, M11, M12)																						
31	0131M00060 COND MOTOR 1/6 HP, 1 SP, 8 PL (M7, M9, M11, M13, M15, M17)	141	0161R00004P CONDUIT (M19, M20)																						
31	0131M00266 COND MOTOR 1/8 HP, 8 PL, PSC (M1, M2, M3, M4, M5, M6)	141	0161R00005P CONDUIT (M21, M22)																						
31	0131M00753 COND MOTOR, 1/6HP, 1SP, 8PL, AL (M8, M10, M12, M14, M16, M18)	NS	0161R00036 DAIKIN NAMEPLATE																						
41	0163M00006P ACORN NUT 5/16 HEX BLACK (M2, M3, M4, M5, M6, M15, M17)	NS	0163M00005P WASHER, BLACK (.50 OD .218ID) (QTY 4)																						
51	0150M00012 FAN BLADE 20" CCW (M1, M2, M3, M4, M5, M6)	Expanded Model Nomenclature																							
51	0150M00008 FAN BLADE 22" TNT2203-25 (M9, M10, M11, M12, M13, M14)	<table border="1"> <tr><td>M1 - DX14SN0181AA</td></tr> <tr><td>M2 - DX14SN0191AA</td></tr> <tr><td>M3 - DX14SN0191AB</td></tr> <tr><td>M4 - DX14SN0241AB</td></tr> <tr><td>M5 - DX14SN0251AA</td></tr> <tr><td>M6 - DX14SN0251BA</td></tr> <tr><td>M7 - DX14SN0301AA</td></tr> <tr><td>M8 - DX14SN0301AB</td></tr> <tr><td>M9 - DX14SN0311AA</td></tr> <tr><td>M10 - DX14SN0311AB</td></tr> <tr><td>M11 - DX14SN0361AA</td></tr> <tr><td>M12 - DX14SN0361AB</td></tr> <tr><td>M13 - DX14SN0371AA</td></tr> <tr><td>M14 - DX14SN0371AB</td></tr> <tr><td>M15 - DX14SN0421AA</td></tr> <tr><td>M16 - DX14SN0421AB</td></tr> <tr><td>M17 - DX14SN0431AA</td></tr> <tr><td>M18 - DX14SN0431AB</td></tr> <tr><td>M19 - DX14SN0481AA</td></tr> <tr><td>M20 - DX14SN0481AB</td></tr> <tr><td>M21 - DX14SN0601AA</td></tr> <tr><td>M22 - DX14SN0601AB</td></tr> </table>		M1 - DX14SN0181AA	M2 - DX14SN0191AA	M3 - DX14SN0191AB	M4 - DX14SN0241AB	M5 - DX14SN0251AA	M6 - DX14SN0251BA	M7 - DX14SN0301AA	M8 - DX14SN0301AB	M9 - DX14SN0311AA	M10 - DX14SN0311AB	M11 - DX14SN0361AA	M12 - DX14SN0361AB	M13 - DX14SN0371AA	M14 - DX14SN0371AB	M15 - DX14SN0421AA	M16 - DX14SN0421AB	M17 - DX14SN0431AA	M18 - DX14SN0431AB	M19 - DX14SN0481AA	M20 - DX14SN0481AB	M21 - DX14SN0601AA	M22 - DX14SN0601AB
M1 - DX14SN0181AA																									
M2 - DX14SN0191AA																									
M3 - DX14SN0191AB																									
M4 - DX14SN0241AB																									
M5 - DX14SN0251AA																									
M6 - DX14SN0251BA																									
M7 - DX14SN0301AA																									
M8 - DX14SN0301AB																									
M9 - DX14SN0311AA																									
M10 - DX14SN0311AB																									
M11 - DX14SN0361AA																									
M12 - DX14SN0361AB																									
M13 - DX14SN0371AA																									
M14 - DX14SN0371AB																									
M15 - DX14SN0421AA																									
M16 - DX14SN0421AB																									
M17 - DX14SN0431AA																									
M18 - DX14SN0431AB																									
M19 - DX14SN0481AA																									
M20 - DX14SN0481AB																									
M21 - DX14SN0601AA																									
M22 - DX14SN0601AB																									
51	10625738 FAN BLADE 26" ALUM CCW (M19, M20, M21, M22)																								
51	B1086764 FAN BLADE TYPE 2 (M7, M8, M15, M16, M17, M18)																								
61	0161L00000 VENTURI RING 22" (M9, M10, M13, M14, M15, M16, M17, M18)																								
61	0161R00007P VENTURI RING 35" (M19, M20)																								
81	0201R00230 TUBING ASSY, COND COIL (M7, M8)																								
81	0201R00278 TUBING ASSY, COND COIL (M11, M12)																								
81	0201R00296 TUBING ASSY, COND COIL (M9, M10, M13, M14)																								
81	0201R00385 TUBING ASSY, COND COIL (M19, M20)																								
81	0201R00433 TUBING ASSY, COND COIL (M21, M22)																								
81	0201R00458 TUBING ASSY, COND COIL (M1, M2, M3, M4, M5)																								
81	0201R00566 TUBING ASSY, COND COIL (M15, M16, M17, M18)																								
81	0201R00666 TUBING ASSY, COND COIL (M6)																								
111	0121R00200PNGB LOUVERED SIDE PANEL [LT OF CNTL PNL] (M7, M8, M9, M10, M11, M12, M13, M14)																								
111	0121R00202PNGB LOUVERED SIDE PANEL [LT OF CNTL PNL] (M15, M16, M17, M18)																								
111	0121R00207PNGB LOUVERED SIDE PANEL [LT OF CNTL PNL] (M1, M2, M3, M4, M5)																								
111	0121R00208PNGB LOUVERED SIDE PANEL [LT OF CNTL PNL] (M6)																								
111	0121R00239PNGB LOUVERED SIDE PANEL [LT OF CNTL PNL] (M19, M20)																								
111	0121R00240PNGB LOUVERED SIDE PANEL [LT OF CNTL PNL] (M21, M22)																								
121	0121R00198PNGB LOUVERED SIDE PANEL (M1, M2, M3, M4, M5)																								
121	0121R00199PNGB LOUVERED SIDE PANEL (M6)																								
121	0121R00204PNGB LOUVERED SIDE PANEL (M7, M8, M9, M10, M11, M12, M13, M14)																								
121	0121R00205PNGB LOUVERED SIDE PANEL (M15, M16, M17, M18)																								
121	0121R00243PNGB LOUVERED SIDE PANEL (M19, M20)																								
121	0121R00244PNGB LOUVERED SIDE PANEL (M21, M22)																								
131	0121R00193PNG LOUVERED SIDE PANEL [RT OF CNTL PNL] (M7, M8, M9, M10, M11, M12, M13, M14)																								
131	0121R00194PNG LOUVERED SIDE PANEL [RT OF CNTL PNL] (M15, M16, M17, M18)																								
131	0121R00196PNG LOUVERED SIDE PANEL [RT OF CNTL PNL] (M1, M2, M3, M4, M5)																								
131	0121R00197PNG LOUVERED SIDE PANEL [RT OF CNTL PNL] (M6)																								
131	0121R00247PNG LOUVERED SIDE PANEL [RT OF CNTL PNL] (M19, M20)																								

Control Box



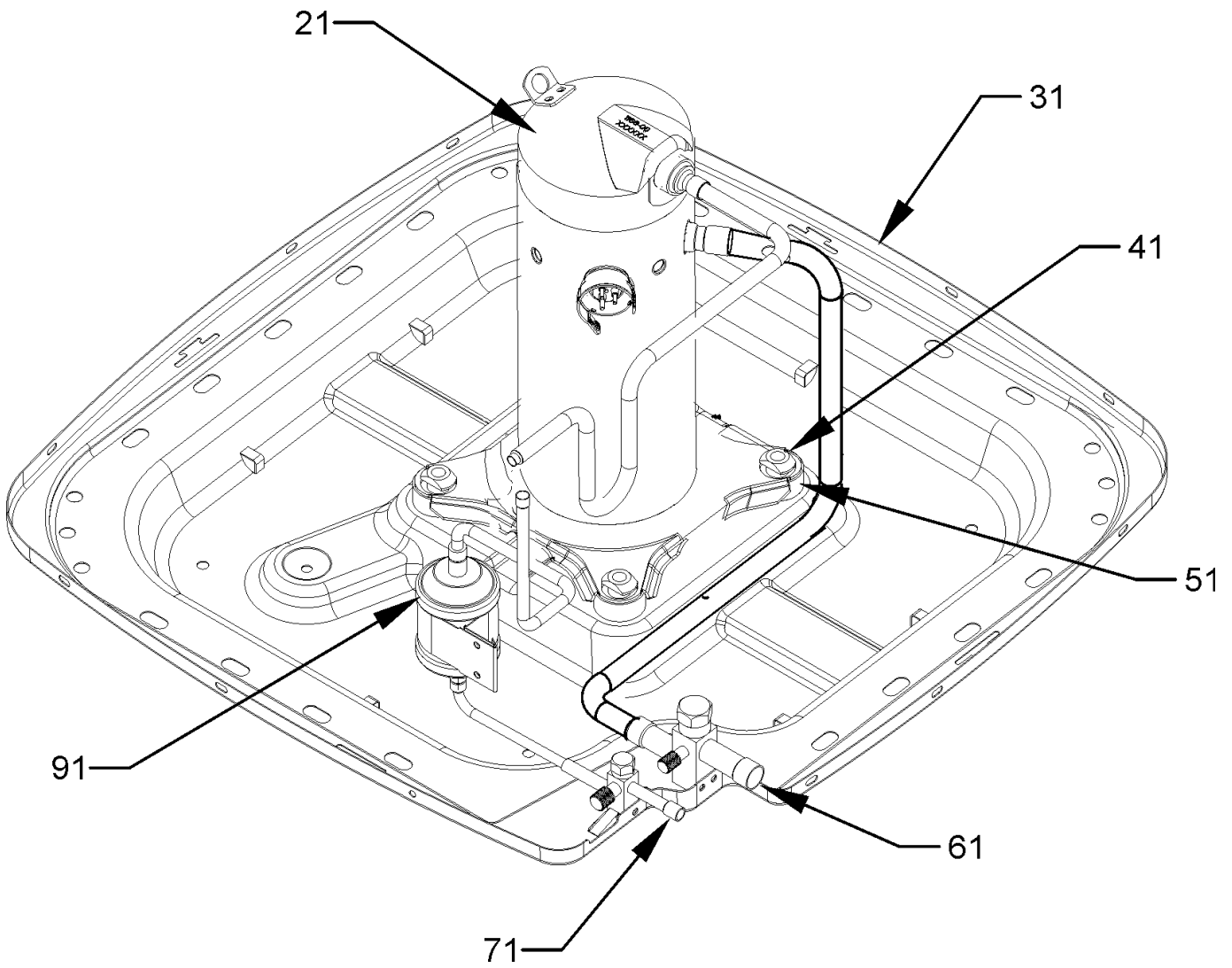
Control Box

Ref. Part No:	No:	Description:	Ref. Part No:	No:	Description:
Image 1:					
11	0121R00316PNG	PANEL, LOWER ACCESS PNT (M21, M22)			
11	0121R00319PNG	PANEL, LOWER ACCESS PNT (M15, M16, M17, M18, M19, M20)			
11	0121R00326PNG	PANEL, LOWER ACCESS PNT (M1, M2, M3, M4, M5)			
11	0121R00663PNG	PANEL, LOWER ACCESS PNT (M6, M7, M8, M9, M10, M11, M12, M13, M14)			
21	0121R00053PNG	CONTROL COVER			
71	CONT1P025024V	CONTACTOR 25 AMP, 1P, 24V (M1, M2, M3, M4, M5, M6, M7, M8, M9, M10, M11, M12, M13, M14, M15, M16, M17, M18)			
71	CONT1P030024V	CONTACTOR 30 AMP, 1P, 24V (M19, M20, M21, M22)			
81	CAP050300440CS	CAP.5/30MFD/440V/DUAL RD (M1, M2, M3)			
81	CAP050350440CS	CAPACITOR 5/35/440V (M4, M5, M6)			
81	CAP050400440CT	CAPACITOR 5/40/440V/DUAL RD (M7, M8, M9, M10)			
81	CAP050450440CT	CAPACITOR 5/45/440V/DUAL RD (M11, M12, M13, M14, M15, M16, M17, M18, M19, M20)			
81	CAP050700440CT	CAPACITOR 5/70/440V/DUAL RD (M21, M22)			
91	4400065	CAPACITOR STRAP			
101	CSR-U-1	HARD START KIT (M2)			

Expanded Model Nomenclature

- M1 - DX14SN0181AA
- M2 - DX14SN0191AA
- M3 - DX14SN0191AB
- M4 - DX14SN0241AB
- M5 - DX14SN0251AA
- M6 - DX14SN0251BA
- M7 - DX14SN0301AA
- M8 - DX14SN0301AB
- M9 - DX14SN0311AA
- M10 - DX14SN0311AB
- M11 - DX14SN0361AA
- M12 - DX14SN0361AB
- M13 - DX14SN0371AA
- M14 - DX14SN0371AB
- M15 - DX14SN0421AA
- M16 - DX14SN0421AB
- M17 - DX14SN0431AA
- M18 - DX14SN0431AB
- M19 - DX14SN0481AA
- M20 - DX14SN0481AB
- M21 - DX14SN0601AA
- M22 - DX14SN0601AB

Tubing & Compressor Assy



Tubing & Compressor Assy

Ref. Part

No: No: Description:

Ref. Part

No: No: Description:

Image 1:

21	ZP14K6EPFV130	COMP, 14,000,208/230/60/1 (M2, M3)
21	ZP20K6EPFV130	COMP, 20,000,208/230/60/1 (M4, M5)
21	ZP24K6EPFV130	COMP, 24,000,208/230/60/1 (M9, M10)
21	ZP29K6EPFV130	COMP, 29,000,208/230/60/1 (M13, M14)
21	ZP24K5EPFV130	COMP,24000,208/230/60/1 (M7, M8)
21	ZP29K5EPFV130	COMP,29000,208/230/60/1 (M11, M12)
21	ZP49K5EPFV130	COMP,49400,208/230/60/1 (M21, M22)
21	ZP16K5EPFV130	COMPRESSOR 15500, 208/230/60/1 (M1)
21	ZP20K5EPFV130	COMPRESSOR 20000, 208/230/60/1 (M6)
21	ZP31K5EPFV130	COMPRESSOR 31100, 208/230/60/1 (M15, M16, M17, M18)
21	ZP38K5EPFV130	COMPRESSOR 37500, 208/230/60/1 (M19, M20)
31	0121R00006PNG	BASE PAN 29" (M7, M8, M9, M10, M11, M12, M13, M14, M15, M16, M17, M18)
31	0121R00007PNG	BASE PAN 35" (M19, M20, M21, M22)
31	0121R00005PNG	BASE PAN, 26" PNT (M1, M2, M3, M4, M5, M6)
41	M0221641	TF SHOULDER SCREW (QTY 4)
51	B1339533	COMPRESSOR GROMMET (QTY 4)
61	0151R00079	BASE VALVE 3/4" (M1, M2, M3, M4, M5, M6, M7, M8, M9, M10, M11, M12, M13, M14)
61	0151R00080	BASE VALVE 7/8" (M15, M16, M17, M18, M19, M20, M21, M22)
71	0151R00078	BASE VALVE 3/8"
91	0162R00009	FILTER DRIER
NS	0159R00000P	COMPRESSOR SCROLL HARNESS (M1, M2, M3, M4, M5, M6)
NS	0159R00001P	COMPRESSOR SCROLL HARNESS (M7, M8, M9, M10, M11, M12, M13, M14, M15, M16, M17, M18)
NS	0159R00002P	COMPRESSOR SCROLL HARNESS (M19, M20, M21, M22)
NS	B1789852	FLOW CHECK PISTON KIT .052 (M1)
NS	B1789853	FLOW CHECK PISTON KIT .053 (M2, M3)
NS	B1789857	FLOW CHECK PISTON KIT .057 (M4, M5, M6)
NS	B1789863	FLOW CHECK PISTON KIT .063 (M9, M10)
NS	B1789865	FLOW CHECK PISTON KIT .065 (M7, M8)
NS	B1789868	FLOW CHECK PISTON KIT .068 (M11, M12)
NS	B1789871	FLOW CHECK PISTON KIT .071 (M13, M14)
NS	B1789874	FLOW CHECK PISTON KIT .074 (M15, M16, M17, M18)
NS	B1789878	FLOW CHECK PISTON KIT .078 (M19, M20)
NS	B1789888	FLOW CHECK PISTON KIT .088 (M21, M22)

Expanded Model Nomenclature

M1 - DX14SN0181AA
M2 - DX14SN0191AA
M3 - DX14SN0191AB
M4 - DX14SN0241AB
M5 - DX14SN0251AA
M6 - DX14SN0251BA
M7 - DX14SN0301AA
M8 - DX14SN0301AB
M9 - DX14SN0311AA
M10 - DX14SN0311AB
M11 - DX14SN0361AA
M12 - DX14SN0361AB
M13 - DX14SN0371AA
M14 - DX14SN0371AB
M15 - DX14SN0421AA
M16 - DX14SN0421AB
M17 - DX14SN0431AA
M18 - DX14SN0431AB
M19 - DX14SN0481AA
M20 - DX14SN0481AB
M21 - DX14SN0601AA
M22 - DX14SN0601AB