

DX14SN Remote Condensing Unit

DX14SN0181BD
DX14SN0191AD
DX14SN0241BD
DX14SN0251BC
DX14SN0301AC
DX14SN0311AC
DX14SN0361AE
DX14SN0371AE
DX14SN0421AE
DX14SN0431AE
DX14SN0481AD
DX14SN0601AD



This manual is to be used by qualified technicians only.

Important Information

Index

Functional Parts List	3
Illustration and Parts	4 - 9

Views shown are for parts illustrations only, not servicing procedures.

Text Codes:

AR - As Required

NA - Not Available

NS - Not Shown

00000000 - See Note

QTY - Quantity Example (QTY 3) (If Quantity not shown, Quantity = 1)

M - Model Example (M1) (If M Code not shown, then part is used on all Models)

Expanded Model Nomenclature:

Example M1 - Model#1 M2 - Model#2 M3 - Model#3

Daikin Comfort Technologies Manufacturing , L.P. is not responsible for personal injury or property damage resulting from improper service. Review all service information before beginning repairs.

Warranty service must be performed by an authorized technician, using authorized factory parts. If service is required after the warranty expires, Daikin Comfort Technologies Manufacturing , L.P. also recommends contacting an authorized technician and using authorized factory parts.

Daikin Comfort Technologies Manufacturing , L.P. reserves the right to discontinue, or change at any time, specifications or designs without notice or without incurring obligations.

For assistance within the U.S.A. contact:
Homeowner Support
Daikin Comfort Technologies Manufacturing , L.P.
19001 Kermier Road
Waller, Texas 77484
855-770-5678-Telephone
713-863-2382-Facsimile

For assistance outside the U.S.A. contact:
International Division
Daikin Comfort Technologies Manufacturing , L.P.
19001 Kermier Road
Waller, Texas 77484
713-861-2500-Telephone
713-863-2382-Facsimile

Functional Parts

Part

No: Description:

50N382YV-ZAKM	1.5T RECHI COMPRESSOR (4-LEGS) (M1)
0131M00811	1/8 HP 8 PL PSC MOTOR (M1, M2, M3, M4)
50N492ZV-ZAKM	2.0TONRECHI COMPR.4 LEGS (M3)
0151R00185	BASE VALVE 3/4" (M1, M2, M3, M4, M5, M6, M7, M8)
0151R00187	BASE VALVE 3/8"
0151R00186	BASE VALVE 7/8" (M9, M10, M11, M12)
0150M00012	BLADE-FAN 20" CCW (M1, M2, M3, M4)
CAP050350440CS	CAP, 5/35 MFD/440V/DUAL RD (M1, M4)
CAB050400440CT	CAP, 5/40 MFD/440V RD - BPRF (M5, M6)
CAB050450440CT	CAP, 5/45 MFD/440V RD - BPRF (M3, M7, M8, M9, M10, M11)
CAB050700440CT	CAP, 5/70 MFD/440V RD - BPRF (M12)
CAP050300440CS	CAP,5/30MFD/440V/DUAL RD (M2)
ZP14K6EPFV120	COMP, 20200, 208/230/60/1 (M2)
ZP24K6EPFV120	COMP, 32500, 208/230/60/1 (M6)
ZP29K6EPFV120	COMP, 39700, 208/230/60/1 (M8)
ZP20K5EPFV130	COMP,20000,208/230/60/1 (M4)
ZP24K5EPFV130	COMP,24000,208/230/60/1 (M5)
ZP29K5EPFV130	COMP,29000,208/230/60/1 (M7)
ZP31K5EPFV130	COMP,31100,208/230/60/1 (M9, M10)
ZP38K5EPFV130	COMP,37500,208/230/60/1 (M11)
ZP49K5EPFV130	COMP,49400,208/230/60/1 (M12)
CONT1P030024V	CONT, 1 POLE, 30 AMP, 24 VAC (M1, M3, M5, M6)
CONT1P030024V	CONT, 1 POLE, 30 AMP, 24 VAC (M1, M3, M5, M6)
0150M00008	FAN BLADE, 22" TNT2203-25 (M5, M6, M7, M8, M9, M10)
0150M00066	FAN BLADE, 26" (M11, M12)
0131M00807	MOTOR, 1/4HP,1SP,8PL,AL (M11, M12)
0131M00753	MOTOR, 1/6HP, 1SP, 8PL, AL (M5, M6, M7, M8, M9, M10)
0130M00089	SW-CUTOUT HI PRESS (M1, M3)

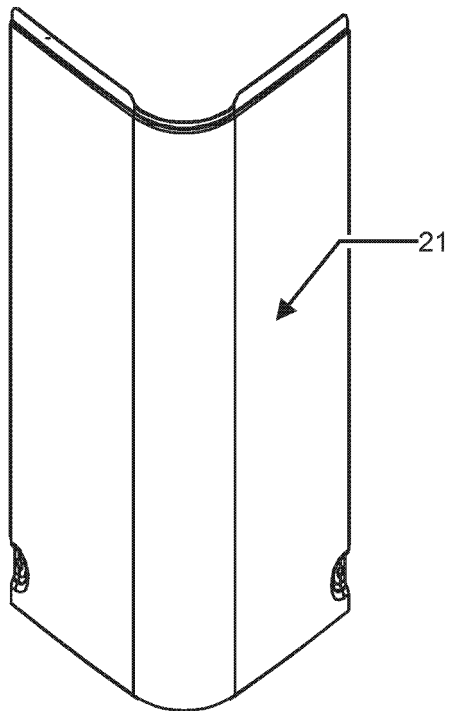
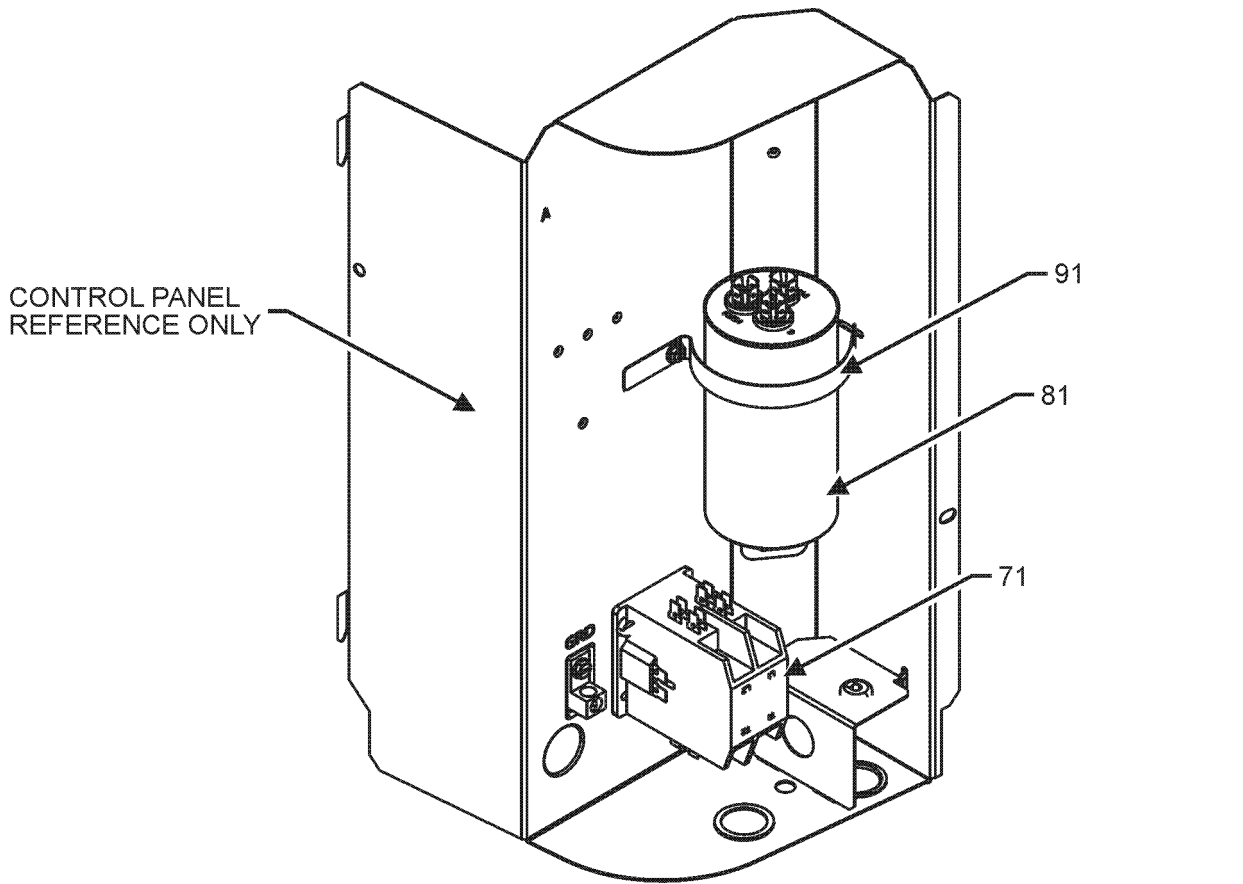
SPECIAL PARTS

0161R00093 NAMEPLATE, DAIKIN

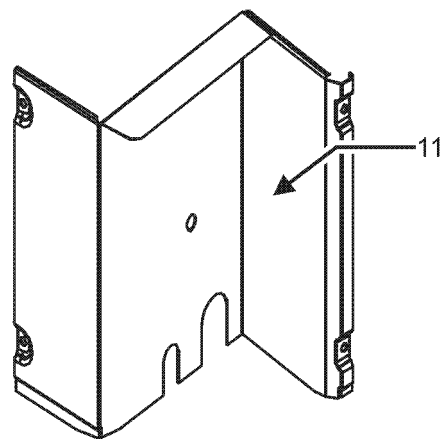
Expanded Model Nomenclature

M1 - DX14SN0181BD
M2 - DX14SN0191AD
M3 - DX14SN0241BD
M4 - DX14SN0251BC
M5 - DX14SN0301AC
M6 - DX14SN0311AC
M7 - DX14SN0361AE
M8 - DX14SN0371AE
M9 - DX14SN0421AE
M10 - DX14SN0431AE
M11 - DX14SN0481AD
M12 - DX14SN0601AD

Control Box Assembly



UPPER ACCESS PANEL



LOWER ACCESS PANEL

Control Box Assembly

Ref. Part No:	Part No:	Description:	Ref. Part No:	Part No:	Description:
---------------	----------	--------------	---------------	----------	--------------

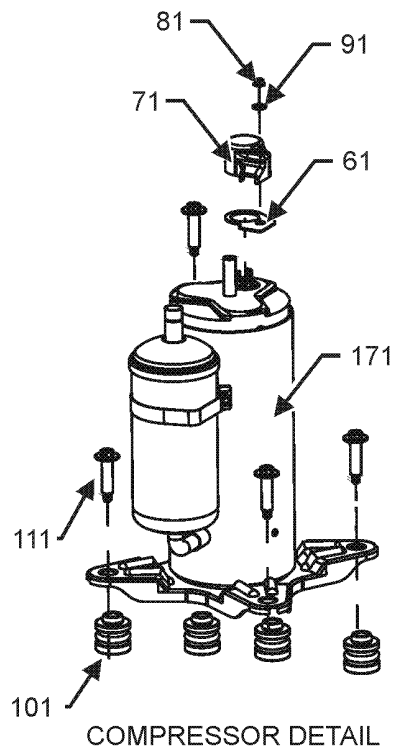
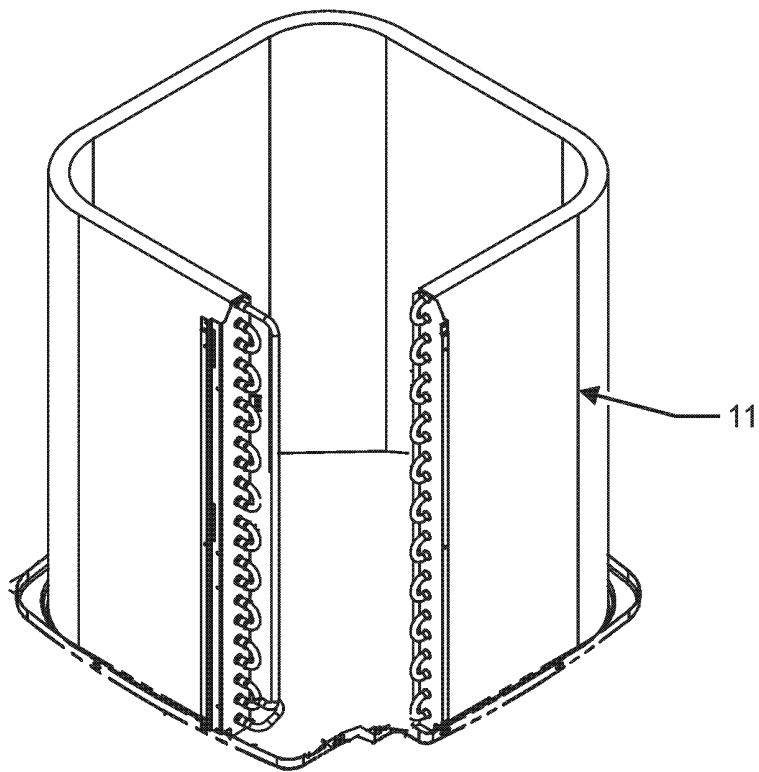
Image 1:

11	0121R00909PNG	PNL, LWR ACCESS (M12)
11	0121R00912PNG	PNL, LWR ACCESS (M9, M10, M11)
11	0121R00915PNG	PNL, LWR ACCESS (M1, M2, M3)
11	0121R00919PNG	PNL, LWR ACCESS (M4, M5, M6, M7, M8)
21	0121R00937PNG	CONTROL COVER, SMALL PNT
71	CONT1P030024V	CONT, 1 POLE, 30 AMP, 24 VAC (M1, M3, M5, M6)
71	CONT1P030024V	CONT, 1 POLE, 30 AMP, 24 VAC (M1, M3, M5, M6)
81	CAP050350440CS	CAP, 5/35 MFD/440V/DUAL RD (M1, M4)
81	CAB050400440CT	CAP, 5/40 MFD/440V RD - BPRF (M5, M6)
81	CAB050450440CT	CAP, 5/45 MFD/440V RD - BPRF (M3, M7, M8, M9, M10, M11)
81	CAB050700440CT	CAP, 5/70 MFD/440V RD - BPRF (M12)
81	CAP050300440CS	CAP, 5/30MFD/440V/DUAL RD (M2)
91	4400065	CAPACITOR STRAP
NS	0161R00093	NAMEPLATE, DAIKIN

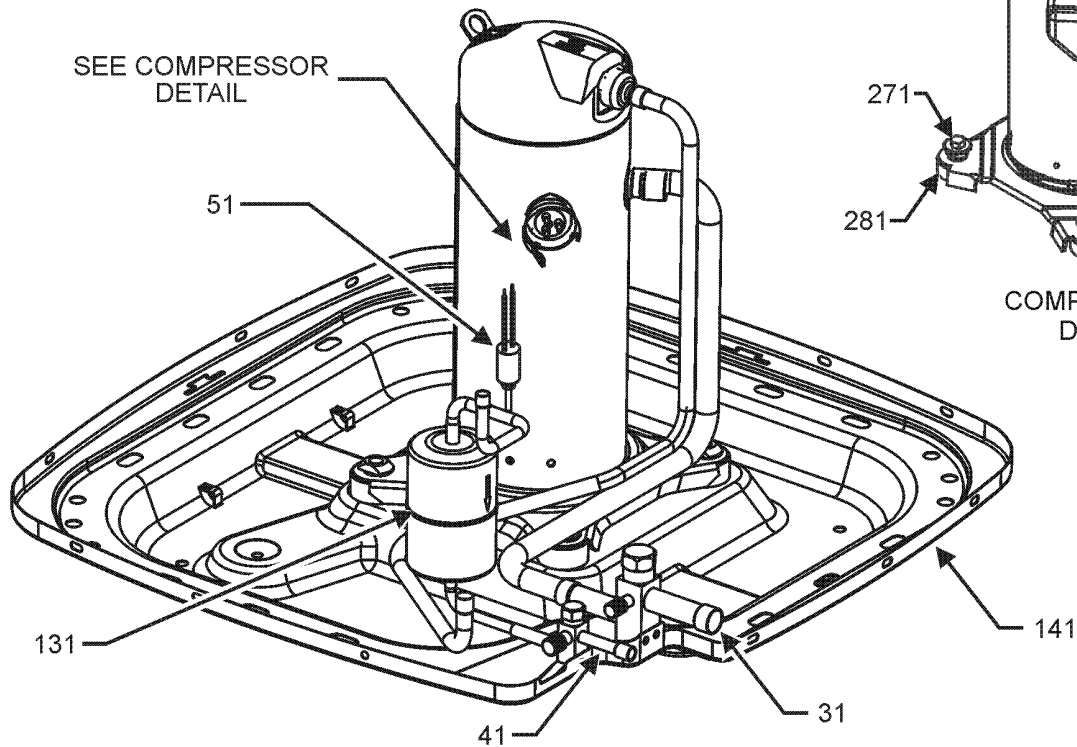
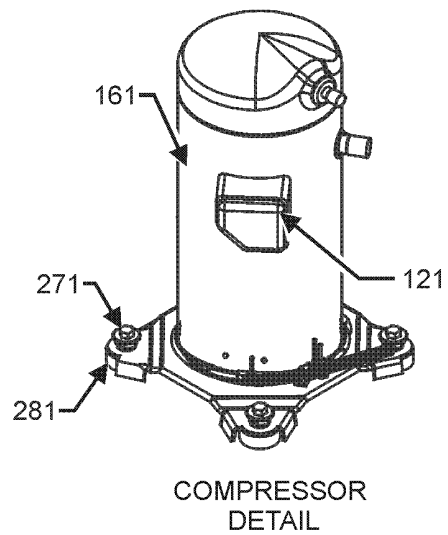
Expanded Model Nomenclature

- | |
|--------------------|
| M1 - DX14SN0181BD |
| M2 - DX14SN0191AD |
| M3 - DX14SN0241BD |
| M4 - DX14SN0251BC |
| M5 - DX14SN0301AC |
| M6 - DX14SN0311AC |
| M7 - DX14SN0361AE |
| M8 - DX14SN0371AE |
| M9 - DX14SN0421AE |
| M10 - DX14SN0431AE |
| M11 - DX14SN0481AD |
| M12 - DX14SN0601AD |

Tubing and Compressor Assembly



TUBING ASSEMBLY MAY DIFFER FROM WHAT IS SHOWN



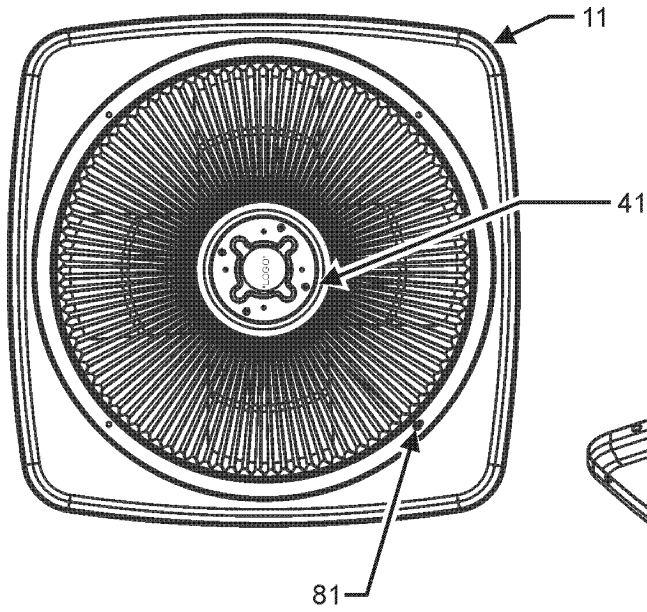
Tubing and Compressor Assembly

Ref. Part No:	Part No:	Description:	Ref. Part No:	Part No:	Description:
Image 1:			Expanded Model Nomenclature		
11	0201R00296	COIL TUBING ASSEMBLY (M6, M8)	M1	-	DX14SN0181BD
11	0201R00253	COIL TUBING ASSY (M5)	M2	-	DX14SN0191AD
11	0201R00278	COIL TUBING ASSY (M7)	M3	-	DX14SN0241BD
11	0201R00385	COIL TUBING ASSY (M11)	M4	-	DX14SN0251BC
11	0201R00433	COIL TUBING ASSY (M12)	M5	-	DX14SN0301AC
11	0201R00458	COIL TUBING ASSY (M1, M2, M3)	M6	-	DX14SN0311AC
11	0201R00566	COIL TUBING ASSY (M9, M10)	M7	-	DX14SN0361AE
11	0201R00666	COIL TUBING ASSY (M4)	M8	-	DX14SN0371AE
31	0151R00185	BASE VALVE 3/4" (M1, M2, M3, M4, M5, M6, M7, M8)	M9	-	DX14SN0421AE
31	0151R00186	BASE VALVE 7/8" (M9, M10, M11, M12)	M10	-	DX14SN0431AE
41	0151R00187	BASE VALVE 3/8"	M11	-	DX14SN0481AD
51	0130M00089	SW-CUTOOUT HI PRESS (M1, M3)	M12	-	DX14SN0601AD
61	60100107	TERMINAL COVER GASKET (M1, M3)			
71	60100317	TERMINAL COVER (M1, M3)			
81	60100401	TERMINAL NUT - RECHI COMP (M1, M3)			
91	60100201	WASHER - RECHI COMPRESSOR (M1, M3)			
101	60140209	GROMMET - RECHI COMPRESSOR (M1, M3)			
111	0163M00186	SCREW-SHOULDER TF (M1, M3)			
121	0159R00019	HARNESS, COMP SCROLL (M2, M4)			
121	0159R00020	HARNESS, COMP SCROLL (M5, M6, M7, M8, M9, M10)			
121	0159R00021	HARNESS, COMP SCROLL (M11)			
121	0159R0002P	HARNESS, COMP SCROLL 130 46" (M12)			
131	0162R00057	FILTER DRIER			
141	0121R00005PNG	BASE PAN, 26" PNT (M1, M2, M3, M4)			
141	0121R00006PNG	BASE PAN, 29" PNT (M5, M6, M7, M8, M9, M10)			
141	0121R00007PNG	BASE PAN, 35.5" PNT (M11, M12)			
161	ZP14K6EPFV120	COMP, 20200, 208/230/60/1 (M2)			
161	ZP24K6EPFV120	COMP, 32500, 208/230/60/1 (M6)			
161	ZP29K6EPFV120	COMP, 39700, 208/230/60/1 (M8)			
161	ZP20K5EPFV130	COMP,20000,208/230/60/1 (M4)			
161	ZP24K5EPFV130	COMP,24000,208/230/60/1 (M5)			
161	ZP29K5EPFV130	COMP,29000,208/230/60/1 (M7)			
161	ZP31K5EPFV130	COMP,31100,208/230/60/1 (M9, M10)			
161	ZP38K5EPFV130	COMP,37500,208/230/60/1 (M11)			
161	ZP49K5EPFV130	COMP,49400,208/230/60/1 (M12)			
171	50N382YV-ZAKM	1.5T RECHI COMPRESSOR (4-LEGS) (M1)			
171	50N492ZV-ZAKM	2.0TONRECHI COMPR.4 LEGS (M3)			
271	M0221641	TF SHOULDER SCREW (M2, M4, M5, M6, M7, M8, M9, M10, M11, M12)			
281	B1339533	COMPRESSOR GROMMET (M2, M4, M5, M6, M7, M8, M9, M10, M11, M12)			
NS	B1789851	FLOW CHECK PISTON KIT (M1)			
NS	B1789853	FLOW CHECK PISTON KIT (M2)			
NS	B1789857	FLOW CHECK PISTON KIT (M3, M4)			
NS	B1789863	FLOW CHECK PISTON KIT (M6)			
NS	B1789865	FLOW CHECK PISTON KIT (M5)			
NS	B1789868	FLOW CHECK PISTON KIT (M7)			
NS	B1789871	FLOW CHECK PISTON KIT (M8)			
NS	B1789874	FLOW CHECK PISTON KIT (M9, M10)			
NS	B1789878	FLOW CHECK PISTON KIT (M11)			
NS	B1789888	FLOW CHECK PISTON KIT (M12)			

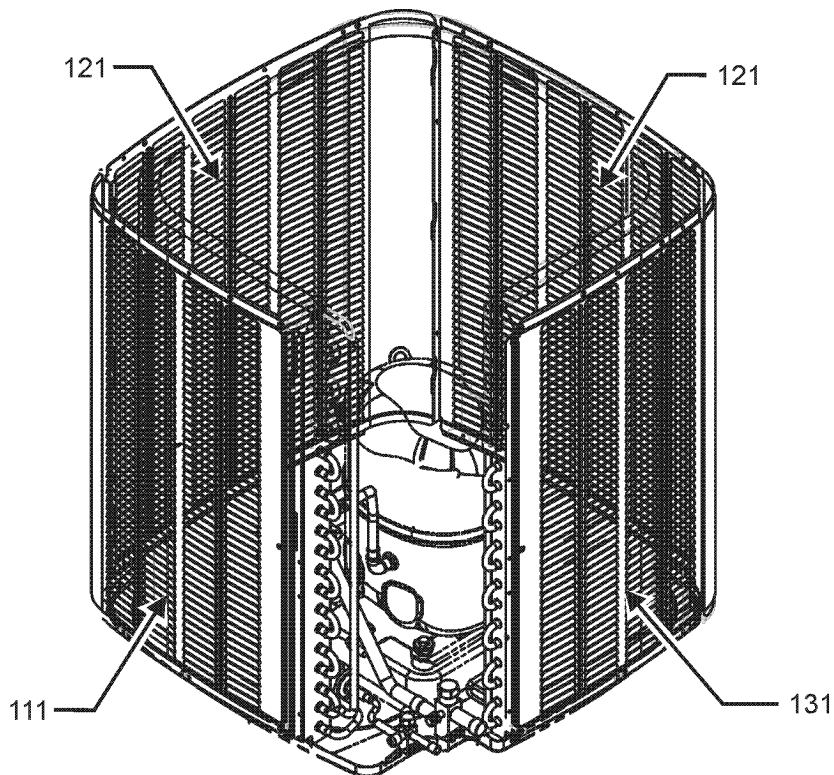
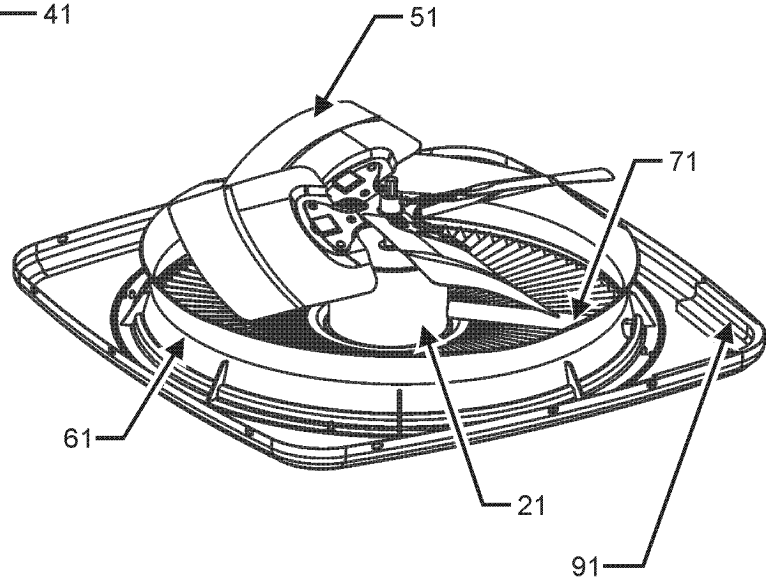
Top and Louver Panel Assembly

TOP PANEL ASSEMBLY

TOP VIEW



BOTTOM VIEW



LOUVER PANEL ASSEMBLY

Top and Louver Panel Assembly

Ref. Part

No: No: Description:

Ref. Part

No: No: Description:

Image 1:

11	0121R00008PNG	PANEL, TOP 26" PNT (M1, M2, M3, M4)
11	0121R00010PNG	PANEL, TOP 29" PNT (M5, M6, M7, M8, M9, M10)
11	0121R00269PNG	Top Panel, 35" Pnt (M11, M12)
21	0131M00811	1/8 HP 8 PL PSC MOTOR (M1, M2, M3, M4)
21	0131M00807	MOTOR, 1/4HP,1SP,8PL,AL (M11, M12)
21	0131M00753	MOTOR, 1/6HP, 1SP, 8PL, AL (M5, M6, M7, M8, M9, M10)
41	0163M00006P	ACORN NUT 5/16 HEX BLACK (QTY 4)
51	0150M00012	BLADE-FAN 20" CCW (M1, M2, M3, M4)
51	0150M00008	FAN BLADE, 22" TNT2203-25 (M5, M6, M7, M8, M9, M10)
51	0150M00066	FAN BLADE, 26" (M11, M12)
61	0161R00048	MOLDED RING-VENTURI 22 (M7)
61	0161R00007P	RING, VENTURI 35" (M11)
61	0161L00000	RING-VENTURI 22 (M5, M6, M8, M9, M10)
71	0161R00001P	CONDUIT (M1, M2, M3, M4)
71	0161R00002P	CONDUIT (M5, M6, M7, M8, M9, M10)
71	0161R00004P	CONDUIT (M11)
71	0161R00005P	CONDUIT (M12)
81	0163M00004	SCREW #10X3/4", BLACK (M6, M8)
81	0163M00003P	SCREW,#10 X 1/2,A,SLOT,SR,BLK (M12)
81	0163M00035	SCREW,#10 X 3/8,A,SLOT,SR,BLK (M1, M2, M3, M4, M5, M7, M9, M10, M11)
91	0154R00045	GASKET, CONTROL PANEL
111	0121R00239PNG	LOUVERED SIDE PANEL [LT OF CNTL PNL] (M11)
111	0121R00240PNG	LOUVERED SIDE PANEL [LT OF CNTL PNL] (M12)
111	0121R00200PNG	PANEL 1, BENT LOUVER PNT (M5, M6, M7, M8)
111	0121R00202PNG	PANEL 1, BENT LOUVER PNT (M9, M10)
111	0121R00207PNG	PANEL 1, BENT LOUVER PNT (M1, M2, M3)
111	0121R00208PNG	PANEL 1, BENT LOUVER PNT (M4)
121	0121R00198PNG	LOUVER, SIDE PANEL (M1, M2, M3)
121	0121R00199PNG	LOUVER, SIDE PANEL (M4)
121	0121R00204PNG	LOUVER, SIDE PANEL (M5, M6, M7, M8)
121	0121R00205PNG	LOUVERED SIDE PANEL (M9, M10)
121	0121R00243PNG	LOUVERED SIDE PANEL (M11)
121	0121R00244PNG	LOUVERED SIDE PANEL (M12)
131	0121R00193PNG	LOUVER, SIDE PANEL (M5, M6, M7, M8)
131	0121R00194PNG	LOUVER, SIDE PANEL (M9, M10)
131	0121R00196PNG	LOUVER, SIDE PANEL (M1, M2, M3)
131	0121R00197PNG	LOUVER, SIDE PANEL (M4)
131	0121R00247PNG	LOUVERED SIDE PANEL [RT OF CNTL PNL] (M11)
131	0121R00248PNG	LOUVERED SIDE PANEL [RT OF CNTL PNL] (M12)
NS	0163M00005P	WASHER, BLACK (.50 OD .218D) (QTY 4)

Expanded Model Nomenclature

M1 - DX14SN0181BD
M2 - DX14SN0191AD
M3 - DX14SN0241BD
M4 - DX14SN0251BC
M5 - DX14SN0301AC
M6 - DX14SN0311AC
M7 - DX14SN0361AE
M8 - DX14SN0371AE
M9 - DX14SN0421AE
M10 - DX14SN0431AE
M11 - DX14SN0481AD
M12 - DX14SN0601AD