
DX14SA Remote Condensing Unit

DX14SA0181BB
DX14SA0191AD
DX14SA0241BC
DX14SA0251BC
DX14SA0301AC
DX14SA0311AC
DX14SA0361AE
DX14SA0371AE
DX14SA0421AE
DX14SA0431AE
DX14SA0481AD
DX14SA0601AD



This manual is to be used by qualified technicians only.

Important Information

Index

Functional Parts List	3
Illustration and Parts	4 - 9

Views shown are for parts illustrations only, not servicing procedures.

Text Codes:

AR - As Required

NA - Not Available

NS - Not Shown

00000000 - See Note

QTY - Quantity Example (QTY 3) (If Quantity not shown, Quantity = 1)

M - Model Example (M1) (If M Code not shown, then part is used on all Models)

Expanded Model Nomenclature:

Example
M1 - Model#1
M2 - Model#2
M3 - Model#3

Daikin Comfort Technologies Manufacturing , L.P. is not responsible for personal injury or property damage resulting from improper service. Review all service information before beginning repairs.

Warranty service must be performed by an authorized technician, using authorized factory parts. If service is required after the warranty expires, Daikin Comfort Technologies Manufacturing , L.P. also recommends contacting an authorized technician and using authorized factory parts.

Daikin Comfort Technologies Manufacturing , L.P. reserves the right to discontinue, or change at any time, specifications or designs without notice or without incurring obligations.

For assistance within the U.S.A. contact:
Homeowner Support
Daikin Comfort Technologies Manufacturing , L.P.
19001 Kermier Road
Waller, Texas 77484
855-770-5678-Telephone
713-863-2382-Facsimile

For assistance outside the U.S.A. contact:
International Division
Daikin Comfort Technologies Manufacturing , L.P.
19001 Kermier Road
Waller, Texas 77484
713-861-2500-Telephone
713-863-2382-Facsimile

Functional Parts

Part

No: Description:

0131M00811	1/8 HP 8 PL PSC MOTOR (M1, M2, M3, M4)
0151R00185	BASE VALVE 3/4" (M1, M2, M3, M4, M5, M6, M7, M8)
0151R00187	BASE VALVE 3/8"
0151R00186	BASE VALVE 7/8" (M9, M10, M11, M12)
0150M00012	BLADE-FAN 20" CCW (M1, M2, M3, M4)
CAP050350440CS	CAP, 5/35 MFD/440V/DUAL RD (M3, M4)
CAB050400440CT	CAP, 5/40 MFD/440V RD - BPRF (M5, M6)
CAB050450440CT	CAP, 5/45 MFD/440V RD - BPRF (M7, M8, M9, M10, M11)
CAB050700440CT	CAP, 5/70 MFD/440V RD - BPRF (M12)
CAP050300440CS	CAP, 5/30MFD/440V/DUAL RD (M1, M2)
ZP14K6EPFV120	COMP, 20200, 208/230/60/1 (M1, M2)
ZP24K6EPFV120	COMP, 32500, 208/230/60/1 (M6)
ZP29K6EPFV120	COMP, 39700, 208/230/60/1 (M8)
ZP20K5EPFV130	COMP, 20000, 208/230/60/1 (M3, M4)
ZP24K5EPFV130	COMP, 24000, 208/230/60/1 (M5)
ZP29K5EPFV130	COMP, 29000, 208/230/60/1 (M7)
ZP31K5EPFV130	COMP, 31100, 208/230/60/1 (M9, M10)
ZP38K5EPFV130	COMP, 37500, 208/230/60/1 (M11)
ZP49K5EPFV130	COMP, 49400, 208/230/60/1 (M12)
CONT1P030024V	CONTACTOR 30 AMP, 1P, 24V
571006600	CoreSense Module
0130R00056	CUT-OUT SWITCH, HIGH PRESSURE
0150M00008	FAN BLADE, 22" TNT2203-25 (M5, M6, M7, M8, M9, M10)
0150M00066	FAN BLADE, 26" (M11, M12)
0130M00082	LOW PRESSURE SWITCH
0131M00807	MOTOR, 1/4HP, 1SP, 8PL, AL (M11, M12)
0131M00753	MOTOR, 1/6HP, 1SP, 8PL, AL (M5, M6, M7, M8, M9, M10)

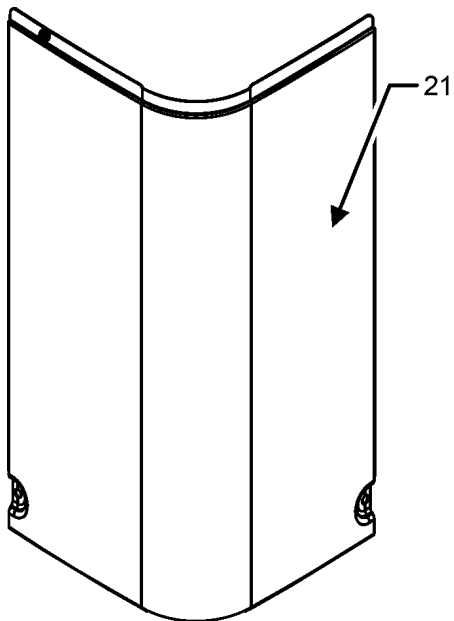
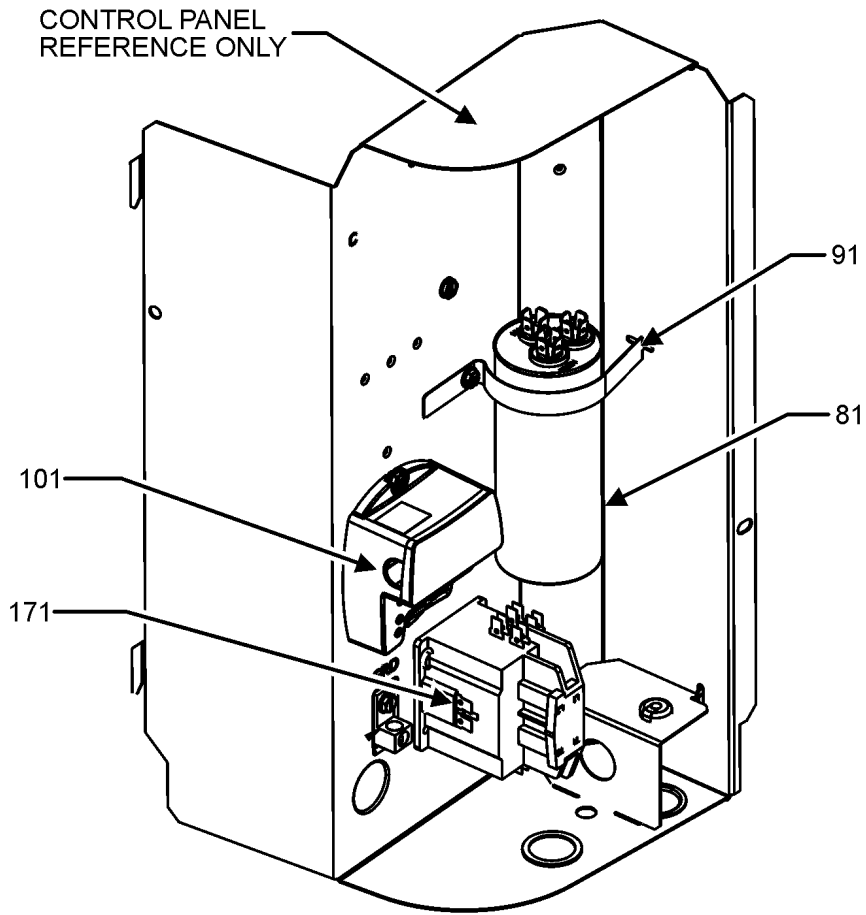
SPECIAL PARTS

0161R00095	CAP, GRILL
0161R00093	NAMEPLATE, DAIKIN

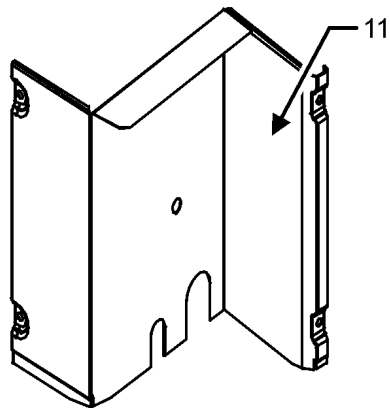
Expanded Model Nomenclature

M1 - DX14SA0181BB
M2 - DX14SA0191AD
M3 - DX14SA0241BC
M4 - DX14SA0251BC
M5 - DX14SA0301AC
M6 - DX14SA0311AC
M7 - DX14SA0361AE
M8 - DX14SA0371AE
M9 - DX14SA0421AE
M10 - DX14SA0431AE
M11 - DX14SA0481AD
M12 - DX14SA0601AD

Control Panel Assembly



UPPER ACCESS PANEL



LOWER ACCESS PANEL

Control Panel Assembly

Ref. Part No:	Part No:	Description:	Ref. Part No:	Part No:	Description:
---------------	----------	--------------	---------------	----------	--------------

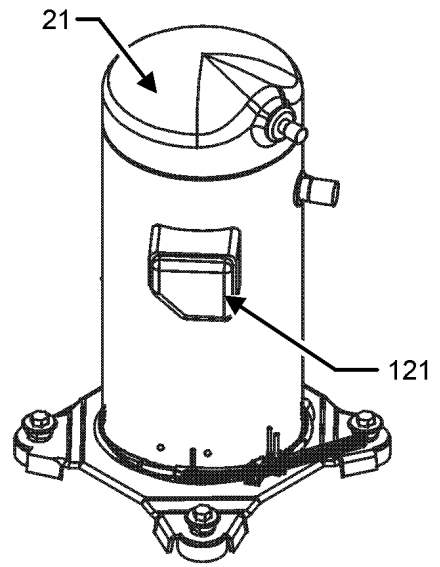
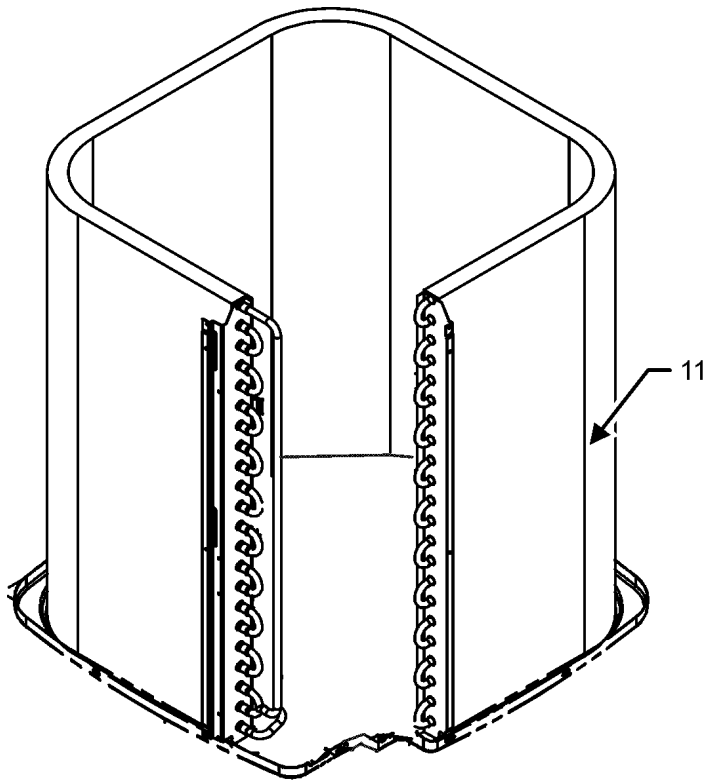
Image 1:

11	0121R00909PNG	PNL, LWR ACCESS (M12)
11	0121R00912PNG	PNL, LWR ACCESS (M9, M10, M11)
11	0121R00915PNG	PNL, LWR ACCESS (M1, M2)
11	0121R00919PNG	PNL, LWR ACCESS (M3, M4, M5, M6, M7, M8)
21	0121R00937PNG	CONTROL COVER, SMALL PNT
81	CAP050350440CS	CAP, 5/35 MFD/440V/DUAL RD (M3, M4)
81	CAB050400440CT	CAP, 5/40 MFD/440V RD - BPRF (M5, M6)
81	CAB050450440CT	CAP, 5/45 MFD/440V RD - BPRF (M7, M8, M9, M10, M11)
81	CAB050700440CT	CAP, 5/70 MFD/440V RD - BPRF (M12)
81	CAP050300440CS	CAP,5/30MFD/440V/DUAL RD (M1, M2)
91	4400065	CAPACITOR STRAP
101	571006600	CoreSense Module
171	CONT1P030024V	CONTACTOR 30 AMP, 1P, 24V
NS	0161R00093	NAMEPLATE, DAIKIN

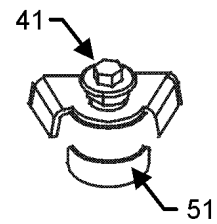
Expanded Model Nomenclature

- | |
|--------------------|
| M1 - DX14SA0181BB |
| M2 - DX14SA0191AD |
| M3 - DX14SA0241BC |
| M4 - DX14SA0251BC |
| M5 - DX14SA0301AC |
| M6 - DX14SA0311AC |
| M7 - DX14SA0361AE |
| M8 - DX14SA0371AE |
| M9 - DX14SA0421AE |
| M10 - DX14SA0431AE |
| M11 - DX14SA0481AD |
| M12 - DX14SA0601AD |

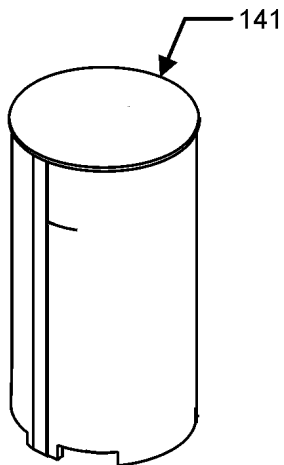
Tubing and Compressor Assembly



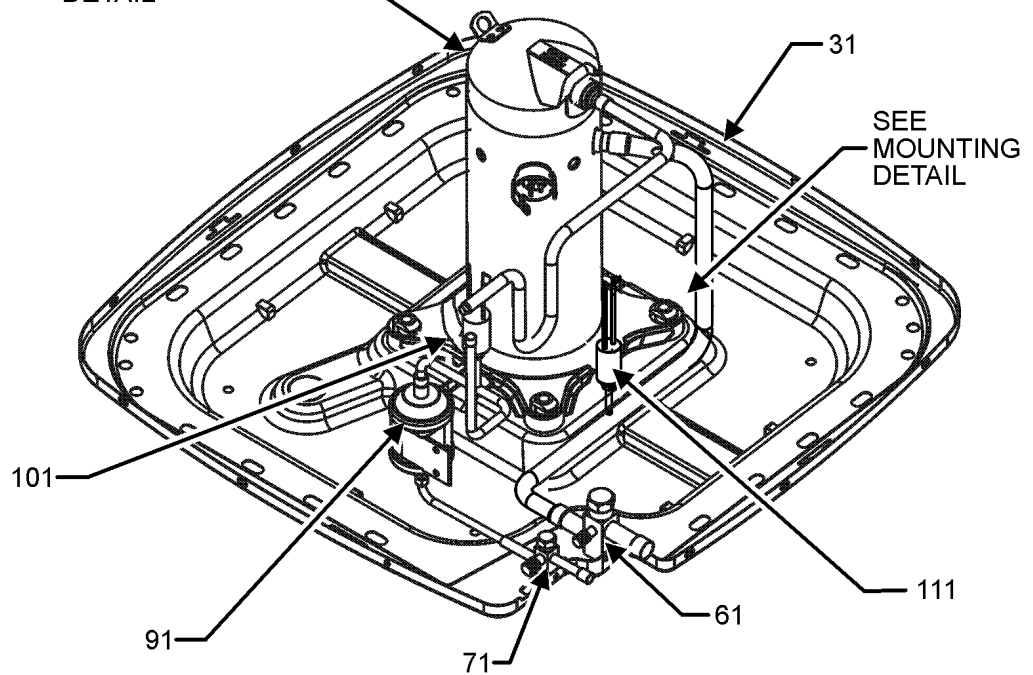
COMPRESSOR DETAIL



MOUNTING DETAIL



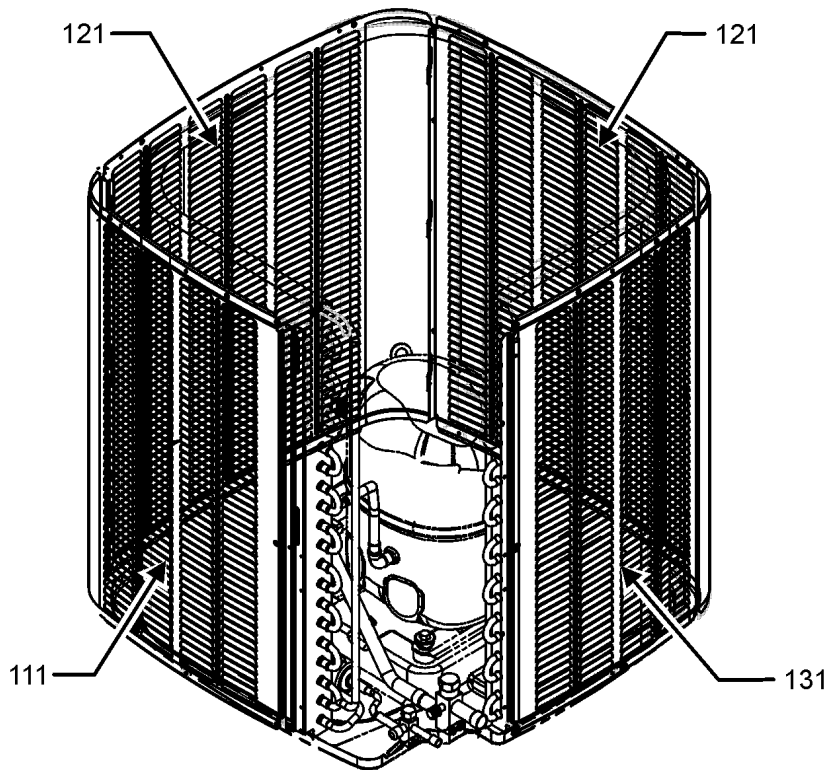
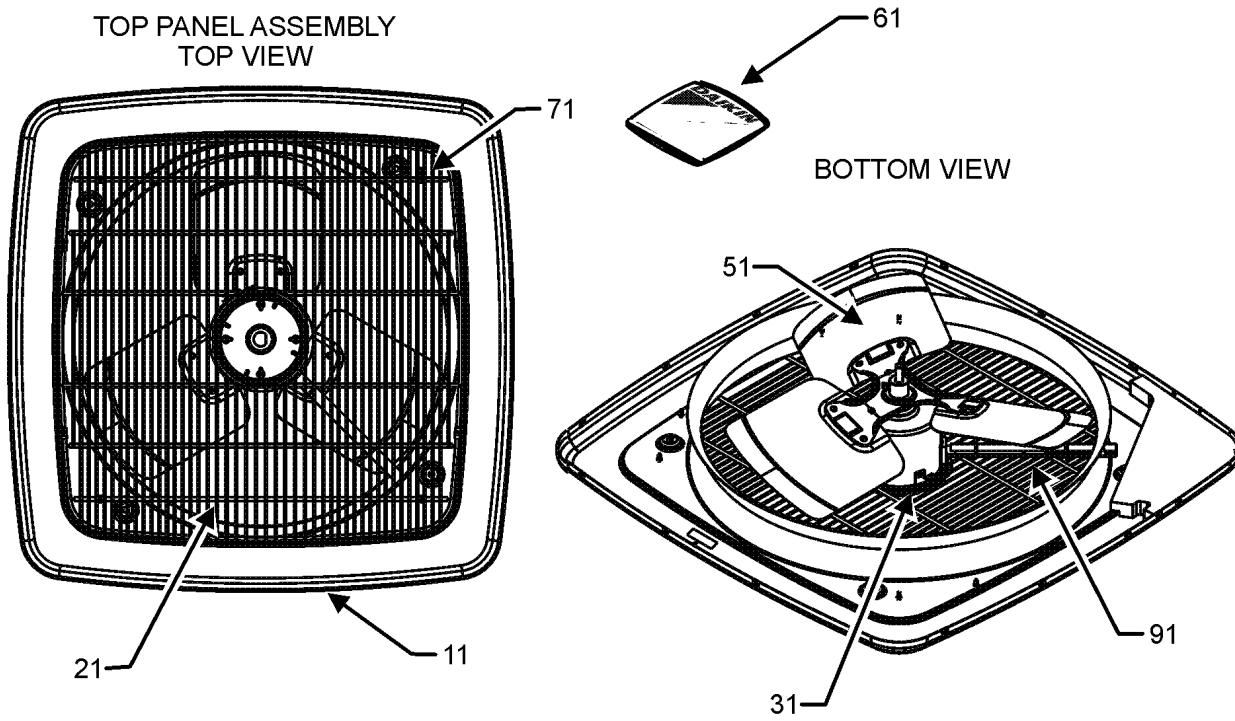
SEE COMPRESSOR
DETAIL



Tubing and Compressor Assembly

Ref. Part No: No:	Description:	Ref. Part No: No:	Description:
Image 1:		Expanded Model Nomenclature	
11	0201R00296	COIL TUBING ASSEMBLY (M6, M8)	M1 - DX14SA0181BB
11	0201R00253	COIL TUBING ASSY (M5)	M2 - DX14SA0191AD
11	0201R00278	COIL TUBING ASSY (M7)	M3 - DX14SA0241BC
11	0201R00385	COIL TUBING ASSY (M11)	M4 - DX14SA0251BC
11	0201R00433	COIL TUBING ASSY (M12)	M5 - DX14SA0301AC
11	0201R00521	COIL TUBING ASSY (M1, M2)	M6 - DX14SA0311AC
11	0201R00566	COIL TUBING ASSY (M9, M10)	M7 - DX14SA0361AE
11	0201R00666	COIL TUBING ASSY (M3, M4)	M8 - DX14SA0371AE
21	ZP14K6EPFV120	COMP, 20200, 208/230/60/1 (M1, M2)	M9 - DX14SA0421AE
21	ZP24K6EPFV120	COMP, 32500, 208/230/60/1 (M6)	M10 - DX14SA0431AE
21	ZP29K6EPFV120	COMP, 39700, 208/230/60/1 (M8)	M11 - DX14SA0481AD
21	ZP20K5EPFV130	COMP,20000,208/230/60/1 (M3, M4)	M12 - DX14SA0601AD
21	ZP24K5EPFV130	COMP,24000,208/230/60/1 (M5)	
21	ZP29K5EPFV130	COMP,29000,208/230/60/1 (M7)	
21	ZP31K5EPFV130	COMP,31100,208/230/60/1 (M9, M10)	
21	ZP38K5EPFV130	COMP,37500,208/230/60/1 (M11)	
21	ZP49K5EPFV130	COMP,49400,208/230/60/1 (M12)	
31	0121R00005PNG	BASE PAN, 26" PNT (M1, M2, M3, M4)	
31	0121R00006PNG	BASE PAN, 29" PNT (M5, M6, M7, M8, M9, M10)	
31	0121R00007PNG	BASE PAN, 35.5" PNT (M11, M12)	
41	M0221641	TF SHOULDER SCREW (QTY 4)	
51	B1339533	COMPRESSOR GROMMET (QTY 4)	
61	0151R00185	BASE VALVE 3/4" (M1, M2, M3, M4, M5, M6, M7, M8)	
61	0151R00186	BASE VALVE 7/8" (M9, M10, M11, M12)	
71	0151R00187	BASE VALVE 3/8"	
91	0162R00057	FILTER DRIER	
101	0130R00056	CUT-OUT SWITCH, HIGH PRESSURE	
111	0130M00082	LOW PRESSURE SWITCH	
121	0159R00000P	HARNESS, COMP SCROLL 130 36" (M1, M2, M3, M4)	
121	0159R00001P	HARNESS, COMP SCROLL 130 42" (M5, M6, M7, M8, M9, M10)	
121	0159R00002P	HARNESS, COMP SCROLL 130 46" (M11, M12)	
141	0160M00035	COMPRESSOR BLANKET (M1, M2, M3, M4, M5, M6, M7, M8, M9, M10)	
141	0160M00039	COMPRESSOR BLANKET (M11, M12)	
NS	B1789853	FLOW CHECK PISTON KIT (M1, M2)	
NS	B1789857	FLOW CHECK PISTON KIT (M3, M4)	
NS	B1789863	FLOW CHECK PISTON KIT (M6)	
NS	B1789865	FLOW CHECK PISTON KIT (M5)	
NS	B1789868	FLOW CHECK PISTON KIT (M7)	
NS	B1789871	FLOW CHECK PISTON KIT (M8)	
NS	B1789874	FLOW CHECK PISTON KIT (M9, M10)	
NS	B1789878	FLOW CHECK PISTON KIT (M11)	
NS	B1789888	FLOW CHECK PISTON KIT (M12)	

Top Panel and Louver Panel Assembly



LOUVER PANEL ASSEMBLY

Top Panel and Louver Panel Assembly

Ref. Part No:	Part No:	Description:	Ref. Part No:	Part No:	Description:
---------------	----------	--------------	---------------	----------	--------------

Image 1:

11	0121R00009PNG	PANEL, VENTURI 26" PNT (M1, M2, M3, M4)
11	0121R00011PNG	PANEL, VENTURI 29" PNT (M5, M6, M8, M9, M10)
11	0121R00013PNG	PANEL, VENTURI 35" PNT (M11, M12)
11	0121R00576PNG	TOP PANEL PAINTED, 29" (M7)
21	0152R00010	GRILLE, WIRE 26" TOP (M1, M2, M3, M4)
21	0152R00015	GRILLE, WIRE 29" TOP (M5, M6, M7, M8, M9, M10)
21	0152R00016	GRILLE, WIRE 35" TOP (M11, M12)
31	0131M00811	1/8 HP 8 PL PSC MOTOR (M1, M2, M3, M4)
31	0131M00807	MOTOR, 1/4HP, 1SP, 8PL, AL (M11, M12)
31	0131M00753	MOTOR, 1/6HP, 1SP, 8PL, AL (M5, M6, M7, M8, M9, M10)
51	0150M00012	BLADE-FAN 20" CCW (M1, M2, M3, M4)
51	0150M00008	FAN BLADE, 22" TNT2203-25 (M5, M6, M7, M8, M9, M10)
51	0150M00066	FAN BLADE, 26" (M11, M12)
61	0161R00095	CAP, GRILL
71	0163M00003P	SCREW #10 X 1/2, A, SLOT, SR, BLACK (QTY 4)
91	0161R00000P	CONDUIT (M1, M2, M3, M4)
91	0161R00002P	CONDUIT (M5, M6, M7, M8, M9, M10)
91	0161R00004P	CONDUIT (M11, M12)
111	0121R00200PNG	LOUVER, SIDE PANEL (M5, M6, M7, M8)
111	0121R00202PNG	LOUVER, SIDE PANEL (M9, M10)
111	0121R00207PNG	LOUVER, SIDE PANEL (M1, M2)
111	0121R00208PNG	LOUVER, SIDE PANEL (M3, M4)
111	0121R00240PNG	LOUVER, SIDE PANEL, PNT (M12)
111	0121R00239PNG	PANEL 1, LOUVER 35, 5MM, PNT (M11)
121	0121R00198PNG	LOUVER, SIDE PANEL (M1, M2)
121	0121R00199PNG	LOUVER, SIDE PANEL (M3, M4)
121	0121R00204PNG	LOUVER, SIDE PANEL (M5, M6, M7, M8)
121	0121R00205PNG	LOUVER, SIDE PANEL (M9, M10)
121	0121R00244PNG	LOUVER, SIDE PANEL, PNT (M12)
121	0121R00243PNG	PANEL 2, LOUVER 35, 5MM, PNT (M11)
131	0121R00193PNG	LOUVER, SIDE PANEL (M5, M6, M7, M8)
131	0121R00194PNG	LOUVER, SIDE PANEL (M9, M10)
131	0121R00196PNG	LOUVER, SIDE PANEL (M1, M2)
131	0121R00197PNG	LOUVER, SIDE PANEL (M3, M4)
131	0121R00247PNG	LOUVERED SIDE PANEL [RT OF CNTL PNL] (M11)
131	0121R00248PNG	LOUVERED SIDE PANEL [RT OF CNTL PNL] (M12)
NS	M0280801	HEX NUT (QTY 4)

Expanded Model Nomenclature

M1 - DX14SA0181BB
M2 - DX14SA0191AD
M3 - DX14SA0241BC
M4 - DX14SA0251BC
M5 - DX14SA0301AC
M6 - DX14SA0311AC
M7 - DX14SA0361AE
M8 - DX14SA0371AE
M9 - DX14SA0421AE
M10 - DX14SA0431AE
M11 - DX14SA0481AD
M12 - DX14SA0601AD