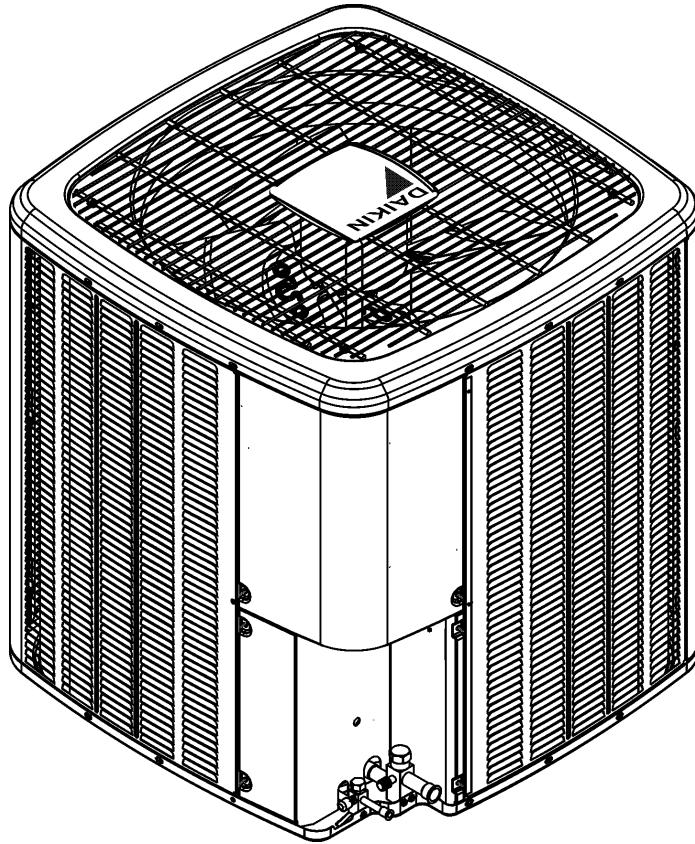


## DX14SA Remote Condensing Unit

DX14SA0181AA  
DX14SA0191AA  
DX14SA0191AB  
DX14SA0241AA  
DX14SA0241AB  
DX14SA0241BA  
DX14SA0251AA  
DX14SA0251BA  
DX14SA0301AA  
DX14SA0301AB  
DX14SA0311AA  
DX14SA0311AB  
DX14SA0361AA  
DX14SA0361AB  
DX14SA0361AC  
DX14SA0371AA  
DX14SA0371AB  
DX14SA0371AC  
DX14SA0421AA  
DX14SA0421AB  
DX14SA0421AC  
DX14SA0431AA  
DX14SA0431AB  
DX14SA0431AC  
DX14SA0481AA  
DX14SA0481AB  
DX14SA0601AA  
DX14SA0601AB



This manual is to be used by qualified technicians only.

This manual replaces RP-D4006D.

© 2014 - 2016 **DAIKIN COMPANY, L.P.** ♦ 5151 San Felipe St., Suite 500 ♦ Houston, TX 77056

# Important Information

---

## Index

Functional Parts List .....	3
Illustration and Parts .....	4 - 9

*Views shown are for parts illustrations only, not servicing procedures*

### Text Codes:

AR - As Required

NA - Not Available

NS - Not Shown

00000000 - See Note

QTY - Quantity Example (QTY 3) (If Quantity not shown, Quantity = 1)

M - Model Example (M1) (If M Code not shown, then part is used on all Models)

### Expanded Model Nomenclature:

Example M1 - Model#1 M2 - Model#2 M3 - Model#3
---

Daikin Company, L.P. is not responsible for personal injury or property damage resulting from improper service. Review all service information before beginning repairs.

Warranty service must be performed by an authorized technician, using authorized factory parts. If service is required after the warranty expires, Daikin Company, L.P. also recommends contacting an authorized technician and using authorized factory parts.

Daikin Company, L.P. reserves the right to discontinue, or change at any time, specifications or designs without notice or without incurring obligations.

For assistance within the U.S.A. contact:

Homeowner Support  
Daikin North America, LLC  
19001 Kermier Road  
Waller, Texas 77484  
855-770-5678-Telephone  
713-863-2382-Facsimile

For assistance outside the U.S.A. contact:

International Division  
Daikin North America, LLC  
19001 Kermier Road  
Waller, Texas 77484  
713-861-2500-Telephone  
713-863-2382-Facsimile

# Functional Parts

**Part No:**      **Description:**

0151R00079	BASE VALVE 3/4" (M1, M2, M3, M4, M5, M6, M7, M8, M9, M10, M11, M12, M13, M14, M15, M16, M17, M18)
0151R00078	BASE VALVE 3/8"
0151R00080	BASE VALVE 7/8" (M19, M20, M21, M22, M23, M24, M25, M26, M27, M28)
CAP050300440CS	CAP,5/30MFD/440V/DUAL RD (M1, M2, M3)
CAP050350440CS	CAPACITOR 5/35/440V (M4, M5, M6, M7, M8)
CAP050400440CT	CAPACITOR 5/40/440V/DUAL RD (M9, M10, M11, M12)
CAP050450440CT	CAPACITOR 5/45/440V/DUAL RD (M13, M14, M15, M16, M17, M18, M19, M20, M21, M22, M23, M24, M25, M26)
CAP050700440CT	CAPACITOR 5/70/440V/DUAL RD (M27, M28)
ZP14K6EPFV130	COMP, 14,000,208/230/60/1 (M2, M3)
ZP20K6EPFV130	COMP, 20,000,208/230/60/1 (M4, M5, M7)
ZP24K6EPFV130	COMP, 24,000,208/230/60/1 (M11, M12)
ZP29K6EPFV130	COMP, 29,000,208/230/60/1 (M16, M17, M18)
ZP24K5EPFV130	COMP,24000,208/230/60/1 (M9, M10)
ZP29K5EPFV130	COMP,29000,208/230/60/1 (M13, M14, M15)
ZP49K5EPFV130	COMP,49400,208/230/60/1 (M27, M28)
ZP16K5EPFV130	COMPRESSOR 15500, 208/230/60/1 (M1)
ZP20K5EPFV130	COMPRESSOR 20000, 208/230/60/1 (M6, M8)
ZP31K5EPFV130	COMPRESSOR 31100, 208/230/60/1 (M19, M20, M21, M22, M23, M24)
ZP38K5EPFV130	COMPRESSOR 37500, 208/230/60/1 (M25, M26)
0131M00019P	COND MOTOR 1/12 HP, 1 SP, 8 PL (M4)
0131M00061	COND MOTOR 1/4 HP, 1 SP, 8 PL (M25, M26, M27, M28)
0131M00060	COND MOTOR 1/6 HP, 1 SP, 8 PL (M9, M11, M13, M16, M19, M22)
0131M00266	COND MOTOR 1/8 HP, 8 PL, PSC (M1, M2, M3, M5, M6, M7, M8)
0131M00753	COND MOTOR, 1/6HP, 1SP, 8PL, AL (M10, M12, M14, M15, M17, M18, M20, M21, M23, M24)
CONT1P025024V	CONTACTOR 25 AMP, 1P, 24V (M1, M2, M3, M4, M5, M6, M7, M8, M9, M10, M11, M12, M13, M14, M15, M16, M17, M18, M19, M20, M21, M22, M23, M24)
CONT1P030024V	CONTACTOR 30 AMP, 1P, 24V (M25, M26, M27, M28)
571006600	CoreSense Module
0130R00056	CUT-OUT SWITCH, HIGH PRESSURE
0150M00018	FAN BLADE 20" (M1)
0150M00012	FAN BLADE 20" CCW (M2, M3, M4, M5, M6, M7, M8)
0150M00008	FAN BLADE 22" TNT2203-25 (M11, M12, M13, M14, M15, M16, M17, M18)
10625738	FAN BLADE 26" ALUM CCW (M25, M26, M27, M28)
B1086764	FAN BLADE TYPE 2 (M9, M10, M19, M20, M21, M22, M23, M24)
CSR-U-1	HARD START KIT (M2)
0130M00082	LOW PRESSURE SWITCH

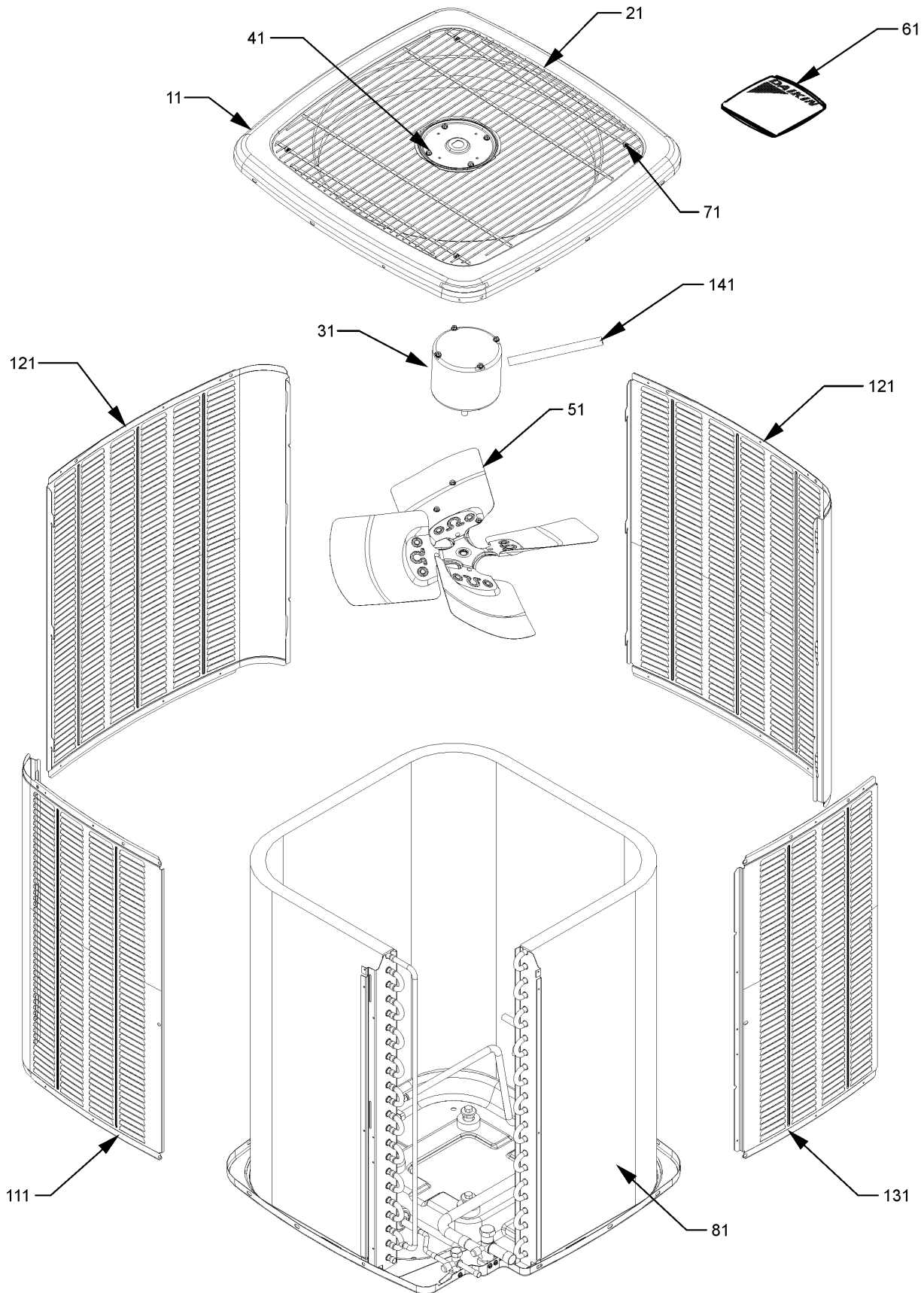
## Expanded Model Nomenclature

M1 - DX14SA0181AA
M2 - DX14SA0191AA
M3 - DX14SA0191AB
M4 - DX14SA0241AA
M5 - DX14SA0241AB
M6 - DX14SA0241BA
M7 - DX14SA0251AA
M8 - DX14SA0251BA
M9 - DX14SA0301AA
M10 - DX14SA0301AB
M11 - DX14SA0311AA
M12 - DX14SA0311AB
M13 - DX14SA0361AA
M14 - DX14SA0361AB
M15 - DX14SA0361AC
M16 - DX14SA0371AA
M17 - DX14SA0371AB
M18 - DX14SA0371AC
M19 - DX14SA0421AA
M20 - DX14SA0421AB
M21 - DX14SA0421AC
M22 - DX14SA0431AA
M23 - DX14SA0431AB
M24 - DX14SA0431AC
M25 - DX14SA0481AA
M26 - DX14SA0481AB
M27 - DX14SA0601AA
M28 - DX14SA0601AB

### SPECIAL PARTS

0161R00036	DAIKIN NAMEPLATE
0161R00038	GRILL CAP

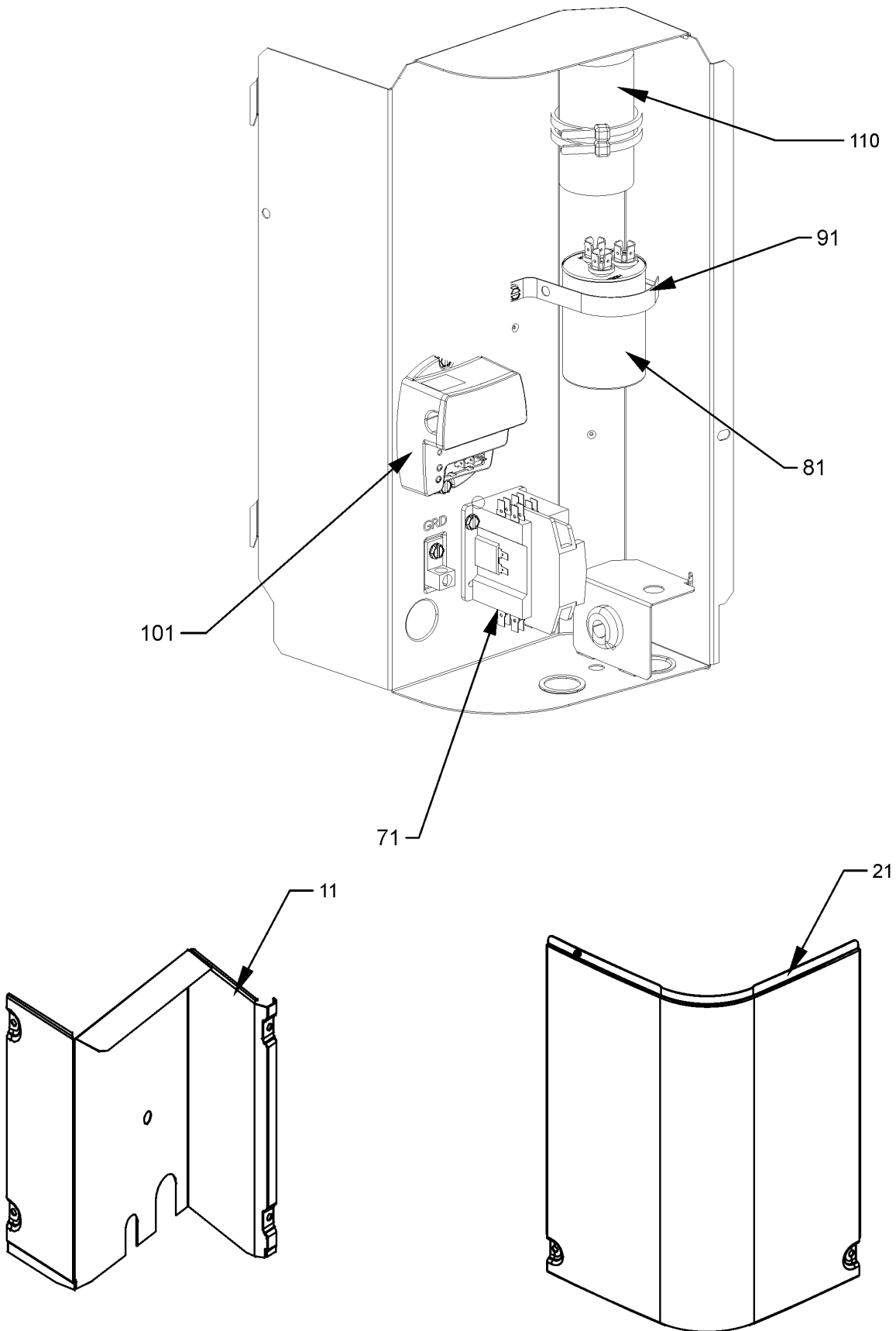
# Top Panel Assembly / Louvered Panels



# Top Panel Assembly / Louvered Panels

Ref. Part No: No:	Description:	Ref. Part No: No:	Description:																												
<b>Image 1:</b>		<b>Image 1:</b>																													
11	0121R00009PNG VENTURI TOP PANEL 26" (M1, M2, M3, M4, M5, M6, M7, M8)	131	0121R00196PNG LOUVERED SIDE PANEL [RT OF CNTL PNL] (M1, M2, M3, M4, M5, M7)																												
11	0121R00011PNG VENTURI TOP PANEL 29" (M9, M10, M11, M12, M13, M14, M15, M16, M17, M18, M19, M20, M21, M22, M23, M24)	131	0121R00197PNG LOUVERED SIDE PANEL [RT OF CNTL PNL] (M6, M8)																												
11	0121R00013PNG VENTURI TOP PANEL 35" (M25, M26, M27, M28)	131	0121R00247PNG LOUVERED SIDE PANEL [RT OF CNTL PNL] (M25, M26)																												
21	0152R00010 GRILLE, WIRE 26" TOP (M1, M2, M3, M4, M5, M6, M7, M8)	131	0121R00248PNG LOUVERED SIDE PANEL [RT OF CNTL PNL] (M27, M28)																												
21	0152R00011 GRILLE, WIRE 29" TOP (M9, M10, M11, M12, M13, M14, M15, M16, M17, M18, M19, M20, M21, M22, M23, M24)	141	0161R00000P CONDUIT (M1, M2, M3, M4, M5, M6, M7, M8)																												
21	0152R00014 GRILLE, WIRE 35" TOP (M25, M26, M27, M28)	141	0161R00002P CONDUIT (M9, M10, M11, M12, M13, M14, M15, M16, M17, M18, M19, M20, M21, M22, M23, M24)																												
31	0131M00019P COND MOTOR 1/12 HP, 1 SP, 8 PL (M4)	141	0161R00004P CONDUIT (M25, M26, M27, M28)																												
31	0131M00061 COND MOTOR 1/4 HP, 1 SP, 8 PL (M25, M26, M27, M28)	<b>Expanded Model Nomenclature</b>																													
31	0131M00060 COND MOTOR 1/6 HP, 1 SP, 8 PL (M9, M11, M13, M16, M19, M22)	<table border="1"> <tr><td>M1 - DX14SA0181AA</td></tr> <tr><td>M2 - DX14SA0191AA</td></tr> <tr><td>M3 - DX14SA0191AB</td></tr> <tr><td>M4 - DX14SA0241AA</td></tr> <tr><td>M5 - DX14SA0241AB</td></tr> <tr><td>M6 - DX14SA0241BA</td></tr> <tr><td>M7 - DX14SA0251AA</td></tr> <tr><td>M8 - DX14SA0251BA</td></tr> <tr><td>M9 - DX14SA0301AA</td></tr> <tr><td>M10 - DX14SA0301AB</td></tr> <tr><td>M11 - DX14SA0311AA</td></tr> <tr><td>M12 - DX14SA0311AB</td></tr> <tr><td>M13 - DX14SA0361AA</td></tr> <tr><td>M14 - DX14SA0361AB</td></tr> <tr><td>M15 - DX14SA0361AC</td></tr> <tr><td>M16 - DX14SA0371AA</td></tr> <tr><td>M17 - DX14SA0371AB</td></tr> <tr><td>M18 - DX14SA0371AC</td></tr> <tr><td>M19 - DX14SA0421AA</td></tr> <tr><td>M20 - DX14SA0421AB</td></tr> <tr><td>M21 - DX14SA0421AC</td></tr> <tr><td>M22 - DX14SA0431AA</td></tr> <tr><td>M23 - DX14SA0431AB</td></tr> <tr><td>M24 - DX14SA0431AC</td></tr> <tr><td>M25 - DX14SA0481AA</td></tr> <tr><td>M26 - DX14SA0481AB</td></tr> <tr><td>M27 - DX14SA0601AA</td></tr> <tr><td>M28 - DX14SA0601AB</td></tr> </table>		M1 - DX14SA0181AA	M2 - DX14SA0191AA	M3 - DX14SA0191AB	M4 - DX14SA0241AA	M5 - DX14SA0241AB	M6 - DX14SA0241BA	M7 - DX14SA0251AA	M8 - DX14SA0251BA	M9 - DX14SA0301AA	M10 - DX14SA0301AB	M11 - DX14SA0311AA	M12 - DX14SA0311AB	M13 - DX14SA0361AA	M14 - DX14SA0361AB	M15 - DX14SA0361AC	M16 - DX14SA0371AA	M17 - DX14SA0371AB	M18 - DX14SA0371AC	M19 - DX14SA0421AA	M20 - DX14SA0421AB	M21 - DX14SA0421AC	M22 - DX14SA0431AA	M23 - DX14SA0431AB	M24 - DX14SA0431AC	M25 - DX14SA0481AA	M26 - DX14SA0481AB	M27 - DX14SA0601AA	M28 - DX14SA0601AB
M1 - DX14SA0181AA																															
M2 - DX14SA0191AA																															
M3 - DX14SA0191AB																															
M4 - DX14SA0241AA																															
M5 - DX14SA0241AB																															
M6 - DX14SA0241BA																															
M7 - DX14SA0251AA																															
M8 - DX14SA0251BA																															
M9 - DX14SA0301AA																															
M10 - DX14SA0301AB																															
M11 - DX14SA0311AA																															
M12 - DX14SA0311AB																															
M13 - DX14SA0361AA																															
M14 - DX14SA0361AB																															
M15 - DX14SA0361AC																															
M16 - DX14SA0371AA																															
M17 - DX14SA0371AB																															
M18 - DX14SA0371AC																															
M19 - DX14SA0421AA																															
M20 - DX14SA0421AB																															
M21 - DX14SA0421AC																															
M22 - DX14SA0431AA																															
M23 - DX14SA0431AB																															
M24 - DX14SA0431AC																															
M25 - DX14SA0481AA																															
M26 - DX14SA0481AB																															
M27 - DX14SA0601AA																															
M28 - DX14SA0601AB																															
31	0131M00266 COND MOTOR 1/8 HP, 8 PL, PSC (M1, M2, M3, M5, M6, M7, M8)																														
31	0131M00753 COND MOTOR, 1/6HP, 1SP, 8PL, AL (M10, M12, M14, M15, M17, M18, M20, M21, M23, M24)																														
41	M0280801 HEX NUT (QTY 4)																														
51	0150M00018 FAN BLADE 20" (M1)																														
51	0150M00012 FAN BLADE 20" CCW (M2, M3, M4, M5, M6, M7, M8)																														
51	0150M00008 FAN BLADE 22" TNT2203-25 (M11, M12, M13, M14, M15, M16, M17, M18)																														
51	10625738 FAN BLADE 26" ALUM CCW (M25, M26, M27, M28)																														
51	B1086764 FAN BLADE TYPE 2 (M9, M10, M19, M20, M21, M22, M23, M24)																														
61	0161R00038 GRILL CAP																														
71	0163M00003P SCREW #10 X 1/2, A, SLOT, SR, BLACK (QTY 4)																														
81	0201R00230 TUBING ASSY, COND COIL (M9, M10)																														
81	0201R00278 TUBING ASSY, COND COIL (M13, M14, M15)																														
81	0201R00296 TUBING ASSY, COND COIL (M11, M12, M16, M17, M18)																														
81	0201R00385 TUBING ASSY, COND COIL (M25, M26)																														
81	0201R00433 TUBING ASSY, COND COIL (M27, M28)																														
81	0201R00521 TUBING ASSY, COND COIL (M1, M2, M3, M4, M5, M7)																														
81	0201R00566 TUBING ASSY, COND COIL (M19, M20, M21, M22, M23, M24)																														
81	0201R00666 TUBING ASSY, COND COIL (M6, M8)																														
111	0121R00200PNGB LOUVERED SIDE PANEL [LT OF CNTL PNL] (M9, M10, M11, M12, M13, M14, M15, M16, M17, M18)																														
111	0121R00202PNGB LOUVERED SIDE PANEL [LT OF CNTL PNL] (M19, M20, M21, M22, M23, M24)																														
111	0121R00207PNGB LOUVERED SIDE PANEL [LT OF CNTL PNL] (M1, M2, M3, M4, M5, M7)																														
111	0121R00208PNGB LOUVERED SIDE PANEL [LT OF CNTL PNL] (M6, M8)																														
111	0121R00239PNGB LOUVERED SIDE PANEL [LT OF CNTL PNL] (M25, M26)																														
111	0121R00240PNGB LOUVERED SIDE PANEL [LT OF CNTL PNL] (M27, M28)																														
121	0121R00198PNGB LOUVERED SIDE PANEL (M1, M2, M3, M4, M5, M7)																														
121	0121R00199PNGB LOUVERED SIDE PANEL (M6, M8)																														
121	0121R00204PNGB LOUVERED SIDE PANEL (M9, M10, M11, M12, M13, M14, M15, M16, M17, M18)																														
121	0121R00205PNGB LOUVERED SIDE PANEL (M19, M20, M21, M22, M23, M24)																														
121	0121R00243PNGB LOUVERED SIDE PANEL (M25, M26)																														
121	0121R00244PNGB LOUVERED SIDE PANEL (M27, M28)																														
131	0121R00193PNG LOUVERED SIDE PANEL [RT OF CNTL PNL] (M9, M10, M11, M12, M13, M14, M15, M16, M17, M18)																														
131	0121R00194PNG LOUVERED SIDE PANEL [RT OF CNTL PNL] (M19, M20, M21, M22, M23, M24)																														

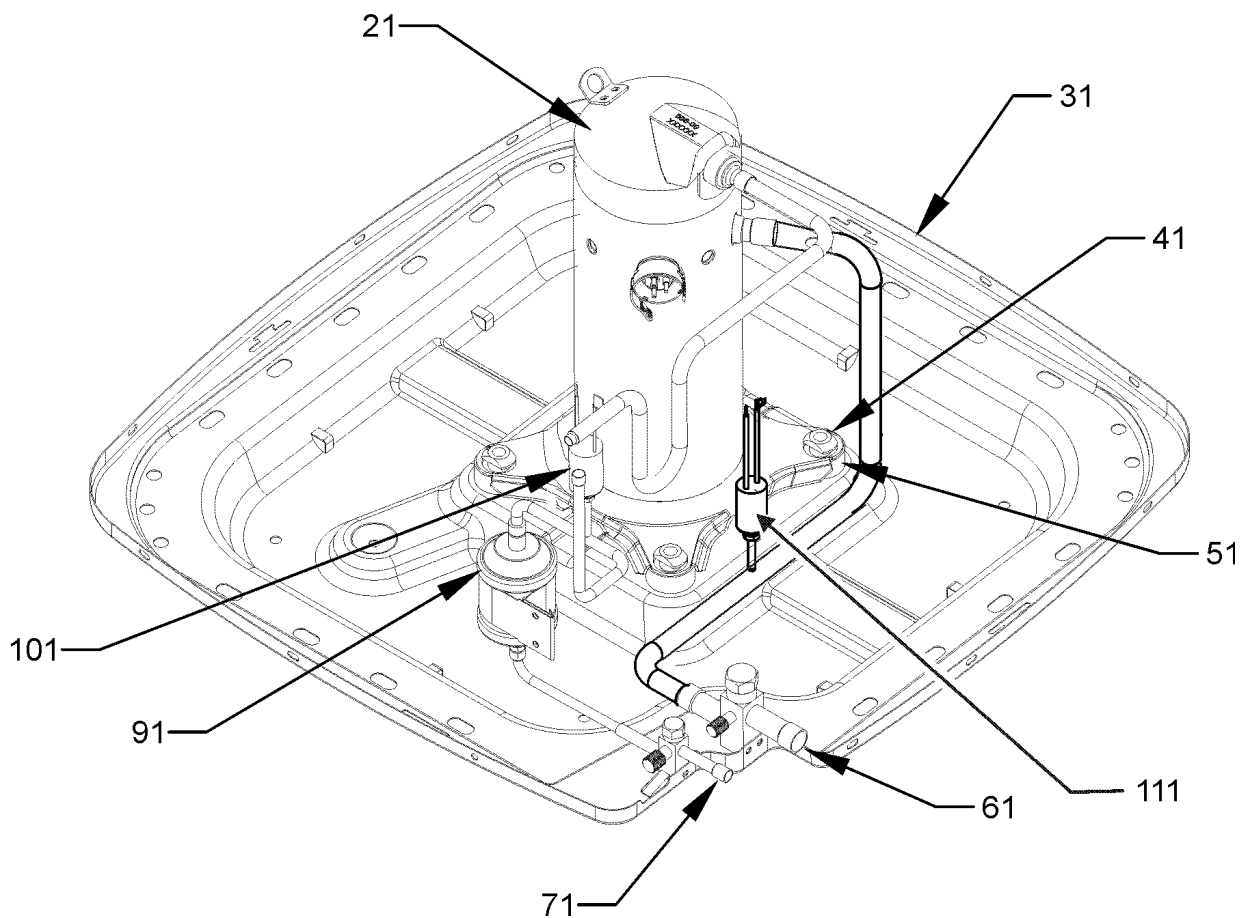
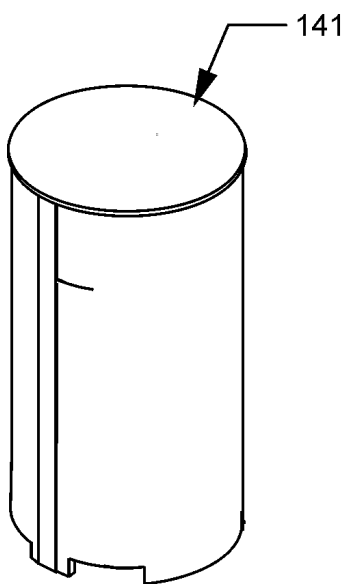
# Control Box and Cover



# Control Box and Cover

Ref. Part No: No:	Description:	Ref. Part No: No:	Description:
<i>Image 1:</i>		<b>Expanded Model Nomenclature</b>	
11	0121R00316PNG	PANEL, LOWER ACCESS PNT (M27, M28)	M1 - DX14SA0181AA
11	0121R00319PNG	PANEL, LOWER ACCESS PNT (M19, M20, M21, M22, M23, M24, M25, M26)	M2 - DX14SA0191AA
11	0121R00326PNG	PANEL, LOWER ACCESS PNT (M1, M2, M3, M4, M5, M7)	M3 - DX14SA0191AB
11	0121R00663PNG	PANEL, LOWER ACCESS PNT (M6, M8, M9, M10, M11, M12, M13, M14, M15, M16, M17, M18)	M4 - DX14SA0241AA
21	0121R00053PNG	CONTROL COVER	M5 - DX14SA0241AB
71	CONT1P025024V	CONTACTOR 25 AMP, 1P, 24V (M1, M2, M3, M4, M5, M6, M7, M8, M9, M10, M11, M12, M13, M14, M15, M16, M17, M18, M19, M20, M21, M22, M23, M24)	M6 - DX14SA0241BA
71	CONT1P030024V	CONTACTOR 30 AMP, 1P, 24V (M25, M26, M27, M28)	M7 - DX14SA0251AA
81	CAP050300440CS	CAP.5/30MFD/440V/DUAL RD (M1, M2, M3)	M8 - DX14SA0251BA
81	CAP050350440CS	CAPACITOR 5/35/440V (M4, M5, M6, M7, M8)	M9 - DX14SA0301AA
81	CAP050400440CT	CAPACITOR 5/40/440V/DUAL RD (M9, M10, M11, M12)	M10 - DX14SA0301AB
81	CAP050450440CT	CAPACITOR 5/45/440V/DUAL RD (M13, M14, M15, M16, M17, M18, M19, M20, M21, M22, M23, M24, M25, M26)	M11 - DX14SA0311AA
81	CAP050700440CT	CAPACITOR 5/70/440V/DUAL RD (M27, M28)	M12 - DX14SA0311AB
91	4400065	CAPACITOR STRAP	M13 - DX14SA0361AA
101	571006600	CoreSense Module	M14 - DX14SA0361AB
111	CSR-U-1	HARD START KIT (M2)	M15 - DX14SA0361AC
NS	0161R00036	DAIKIN NAMEPLATE	M16 - DX14SA0371AA
			M17 - DX14SA0371AB
			M18 - DX14SA0371AC
			M19 - DX14SA0421AA
			M20 - DX14SA0421AB
			M21 - DX14SA0421AC
			M22 - DX14SA0431AA
			M23 - DX14SA0431AB
			M24 - DX14SA0431AC
			M25 - DX14SA0481AA
			M26 - DX14SA0481AB
			M27 - DX14SA0601AA
			M28 - DX14SA0601AB

# Compressor / Tubing Assembly



# Compressor / Tubing Assembly

Ref. Part No: No:	Description:	Ref. Part No: No:	Description:
<b>Image 1:</b>		<b>Expanded Model Nomenclature</b>	
21	ZP14K6EPFV130	COMP, 14,000,208/230/60/1 (M2, M3)	M1 - DX14SA0181AA
21	ZP20K6EPFV130	COMP, 20,000,208/230/60/1 (M4, M5, M7)	M2 - DX14SA0191AA
21	ZP24K6EPFV130	COMP, 24,000,208/230/60/1 (M11, M12)	M3 - DX14SA0191AB
21	ZP29K6EPFV130	COMP, 29,000,208/230/60/1 (M16, M17, M18)	M4 - DX14SA0241AA
21	ZP24K5EPFV130	COMP,24000,208/230/60/1 (M9, M10)	M5 - DX14SA0241AB
21	ZP29K5EPFV130	COMP,29000,208/230/60/1 (M13, M14, M15)	M6 - DX14SA0241BA
21	ZP49K5EPFV130	COMP,49400,208/230/60/1 (M27, M28)	M7 - DX14SA0251AA
21	ZP16K5EPFV130	COMPRESSOR 15500, 208/230/60/1 (M1)	M8 - DX14SA0251BA
21	ZP20K5EPFV130	COMPRESSOR 20000, 208/230/60/1 (M6, M8)	M9 - DX14SA0301AA
21	ZP31K5EPFV130	COMPRESSOR 31100, 208/230/60/1 (M19, M20, M21, M22, M23, M24)	M10 - DX14SA0301AB
21	ZP38K5EPFV130	COMPRESSOR 37500, 208/230/60/1 (M25, M26)	M11 - DX14SA0311AA
31	0121R00005PNG	BASE PAN 26" (M1, M2, M3, M4, M5, M6, M7, M8)	M12 - DX14SA0311AB
31	0121R00006PNG	BASE PAN 29" (M9, M10, M11, M12, M13, M14, M15, M16, M17, M18, M19, M20, M21, M22, M23, M24)	M13 - DX14SA0361AA
31	0121R00007PNG	BASE PAN 35" (M25, M26, M27, M28)	M14 - DX14SA0361AB
41	M0221641	TF SHOULDER SCREW (QTY 4)	M15 - DX14SA0361AC
51	B1339533	COMPRESSOR GROMMET (QTY 4)	M16 - DX14SA0371AA
61	0151R00079	BASE VALVE 3/4" (M1, M2, M3, M4, M5, M6, M7, M8, M9, M10, M11, M12, M13, M14, M15, M16, M17, M18)	M17 - DX14SA0371AB
61	0151R00080	BASE VALVE 7/8" (M19, M20, M21, M22, M23, M24, M25, M26, M27, M28)	M18 - DX14SA0371AC
71	0151R00078	BASE VALVE 3/8"	M19 - DX14SA0421AA
91	0162R00009	FILTER DRIER	M20 - DX14SA0421AB
101	0130R00056	CUT-OUT SWITCH, HIGH PRESSURE	M21 - DX14SA0421AC
111	0130M00082	LOW PRESSURE SWITCH	M22 - DX14SA0431AA
141	B1488806	COMPRESSOR SOUND BLANKET (M27, M28)	M23 - DX14SA0431AB
141	B1488807	COMPRESSOR SOUND BLANKET (M25, M26)	M24 - DX14SA0431AC
141	B1488810	COMPRESSOR SOUND BLANKET (M1, M2, M3, M4, M5, M6, M7, M8, M9, M10, M11, M12, M13, M14, M15, M16, M17, M18, M19, M20, M21, M22, M23, M24)	M25 - DX14SA0481AA
NS	0159R00000P	COMPRESSOR SCROLL HARNESS (M1, M2, M3, M4, M5, M6, M7, M8)	M26 - DX14SA0481AB
NS	0159R00001P	COMPRESSOR SCROLL HARNESS (M9, M10, M11, M12, M13, M14, M15, M16, M17, M18, M19, M20, M21, M22, M23, M24)	M27 - DX14SA0601AA
NS	0159R00002P	COMPRESSOR SCROLL HARNESS (M25, M26, M27, M28)	M28 - DX14SA0601AB
NS	B1789852	FLOW CHECK PISTON KIT .052 (M1)	
NS	B1789853	FLOW CHECK PISTON KIT .053 (M2, M3)	
NS	B1789857	FLOW CHECK PISTON KIT .057 (M4, M5, M6, M7, M8)	
NS	B1789863	FLOW CHECK PISTON KIT .063 (M11, M12)	
NS	B1789865	FLOW CHECK PISTON KIT .065 (M9, M10)	
NS	B1789868	FLOW CHECK PISTON KIT .068 (M13, M14, M15)	
NS	B1789871	FLOW CHECK PISTON KIT .071 (M16, M17, M18)	
NS	B1789874	FLOW CHECK PISTON KIT .074 (M19, M20, M21, M22, M23, M24)	
NS	B1789878	FLOW CHECK PISTON KIT .078 (M25, M26)	
NS	B1789888	FLOW CHECK PISTON KIT .088 (M27, M28)	