

DX14SA Remote Condensing Unit

DX14SA0181AB
DX14SA0181BA
DX14SA0181BC
DX14SA0191AC
DX14SA0191AE
DX14SA0241BB
DX14SA0241BD
DX14SA0251BB
DX14SA0251BD
DX14SA0301AD
DX14SA0311AD
DX14SA0361AD
DX14SA0361AF
DX14SA0361AG
DX14SA0371AD
DX14SA0371AF
DX14SA0421AD
DX14SA0421AF
DX14SA0431AD
DX14SA0431AF
DX14SA0481AC
DX14SA0481AE
DX14SA0601AC
DX14SA0601AE



This manual is to be used by qualified technicians only.

This manual replaces RP-D4315D.

© 2016-2018,2020-2021 **DAIKIN MANUFACTURING COMPANY, L.P.** ♦ 5151 San Felipe St, Suite 500 ♦ Houston, TX 77056

Important Information

Index

Functional Parts List	3
Illustration and Parts	4 - 9

Views shown are for parts illustrations only, not servicing procedures

Text Codes:

AR - As Required

NA - Not Available

NS - Not Shown

00000000 - See Note

QTY - Quantity Example (QTY 3) (If Quantity not shown, Quantity = 1)

M - Model Example (M1) (If M Code not shown, then part is used on all Models)

Expanded Model Nomenclature:

Example M1 - Model#1 M2 - Model#2 M3 - Model#3

Daikin Manufacturing Company, L.P. is not responsible for personal injury or property damage resulting from improper service. Review all service information before beginning repairs.

Warranty service must be performed by an authorized technician, using authorized factory parts. If service is required after the warranty expires, Daikin Manufacturing Company, L.P. also recommends contacting an authorized technician and using authorized factory parts.

Daikin Manufacturing Company, L.P. reserves the right to discontinue, or change at any time, specifications or designs without notice or without incurring obligations.

For assistance within the U.S.A. contact:

Homeowner Support
Daikin North America, LLC
19001 Kermier Road
Waller, Texas 77484
855-770-5678-Telephone
713-863-2382-Facsimile

For assistance outside the U.S.A. contact:

International Division
Daikin North America, LLC
19001 Kermier Road
Waller, Texas 77484
713-861-2500-Telephone
713-863-2382-Facsimile

Functional Parts

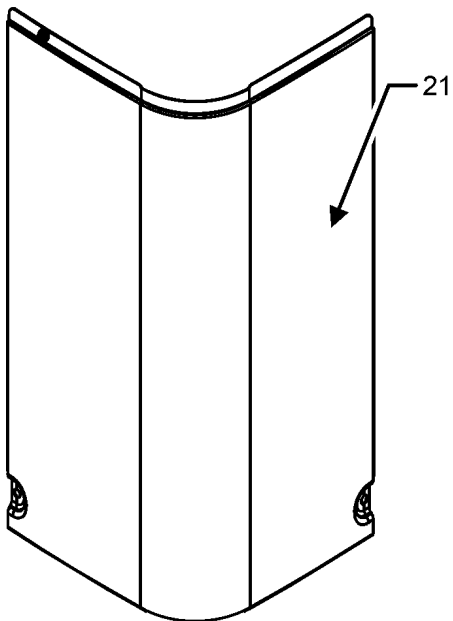
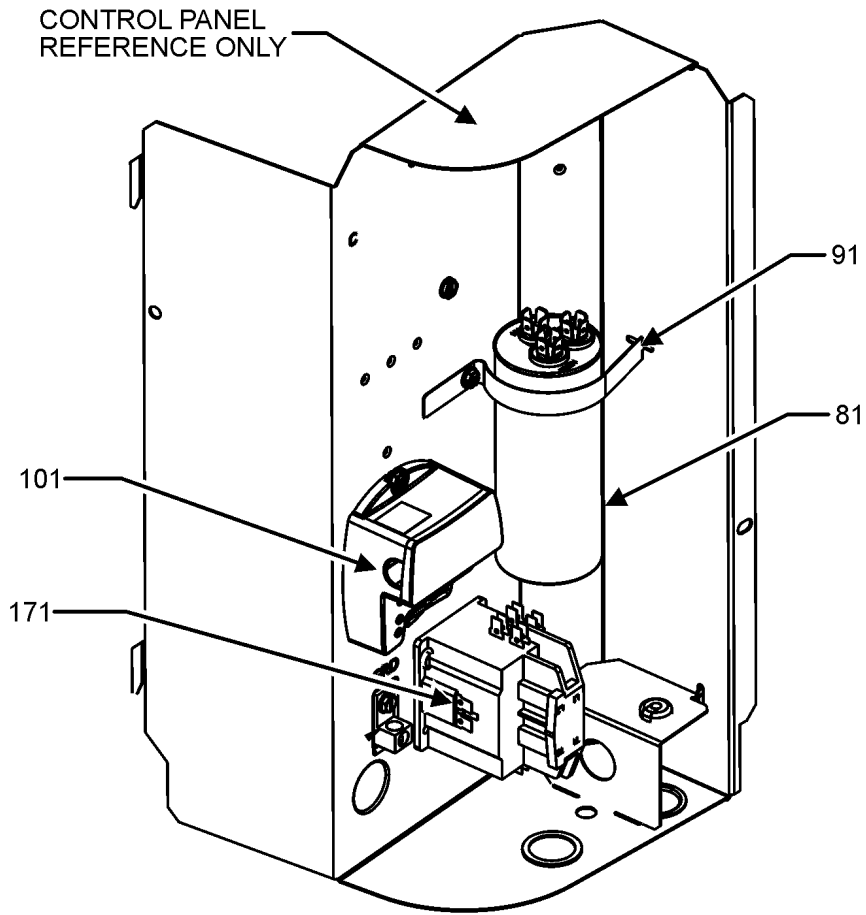
Part No: **Description:**

Part No:	Description:	Expanded Model Nomenclature
0131M00811	1/8 HP 8 PL PSC MOTOR (M1, M2, M4, M6, M8)	M1 - DX14SA0181AB
0151R00185	BASE VALVE 3/4" (M1, M2, M3, M4, M5, M6, M7, M8, M9, M10, M11, M12, M13, M14, M15, M16)	M2 - DX14SA0181BA M3 - DX14SA0181BC
0151R00187	BASE VALVE 3/8"	M4 - DX14SA0191AC
0151R00186	BASE VALVE 7/8" (M17, M18, M19, M20, M21, M22, M23, M24)	M5 - DX14SA0191AE M6 - DX14SA0241BB M7 - DX14SA0241BD
0150M00012	BLADE-FAN 20" CCW (M2, M3, M4, M5, M6, M7, M8, M9)	M8 - DX14SA0251BB M9 - DX14SA0251BD
CAP050350440CS	CAP, 5/35 MFD/440V/DUAL RD (M6, M7, M8, M9)	M10 - DX14SA0301AD
CAP050400440CT	CAP, 5/40 MFD/440V/DUAL RD (M10, M11)	M11 - DX14SA0311AD
CAP050450440CT	CAP, 5/45 MFD/440V/DUAL RD (M12, M13, M14, M15, M16, M17, M18, M19, M20, M21, M22)	M12 - DX14SA0361AD
CAP050700440CT	CAP, 5/70 MFD/440V/DUAL RD (M23, M24)	M13 - DX14SA0361AF
CAP050300440CS	CAP, 5/30MFD/440V/DUAL RD (M1, M2, M3, M4, M5)	M14 - DX14SA0361AG M15 - DX14SA0371AD M16 - DX14SA0371AF M17 - DX14SA0421AD M18 - DX14SA0421AF M19 - DX14SA0431AD M20 - DX14SA0431AF M21 - DX14SA0481AC M22 - DX14SA0481AE M23 - DX14SA0601AC M24 - DX14SA0601AE
ZP14K6EPFV120	COMP, 20200, 208/230/60/1 (M2, M3, M4, M5)	
ZP24K6EPFV120	COMP, 32500, 208/230/60/1 (M11)	
ZP29K6EPFV120	COMP, 39700, 208/230/60/1 (M13, M14, M15, M16)	
ZP16K5EPFV130	COMP,15500,208/230/60/1 (M1)	
ZP20K5EPFV130	COMP,20000,208/230/60/1 (M6, M7, M8, M9)	
ZP24K5EPFV130	COMP,24000,208/230/60/1 (M10)	
ZP29K5EPFV130	COMP,29000,208/230/60/1 (M12)	
ZP31K5EPFV130	COMP,31100,208/230/60/1 (M17, M18, M19, M20)	
ZP38K5EPFV130	COMP,37500,208/230/60/1 (M21, M22)	
ZP49K5EPFV130	COMP,49400,208/230/60/1 (M23, M24)	
CONT1P025024V	CONTACTOR 25 AMP, 1P, 24V (M1, M2, M3, M4, M5, M6, M7, M8, M9, M10, M11, M12, M13, M14, M15, M16, M17, M18, M19, M20)	
CONT1P030024V	CONTACTOR 30 AMP, 1P, 24V (M21, M22, M23, M24)	
571006600	CoreSense Module	
0130R00056	CUT-OUT SWITCH, HIGH PRESSURE	
0150M00018	FAN BLADE 20" (M1)	
0150M00008	FAN BLADE, 22" TNT2203-25 (M10, M11, M12, M13, M14, M15, M16, M17, M18, M19, M20)	
0150M00066	FAN BLADE, 26" (M21, M22, M23, M24)	
0130M00082	LOW PRESSURE SWITCH	
0131M00968	MOTOR, 1/4HP, 1SP, 8PL, AL (M22, M24)	
0131M00807	MOTOR, 1/4HP,1SP,8PL,AL (M21, M23)	
0131M00753	MOTOR, 1/6HP, 1SP, 8PL, AL (M12, M13, M15, M17, M19)	
0131M00971	MOTOR, 1/6HP, 1SP, 8PL, AL (M10, M11, M14, M16, M18, M20)	
0131M00969	MOTOR, 1/8HP, 8PL, PSC (M3, M5, M7, M9)	

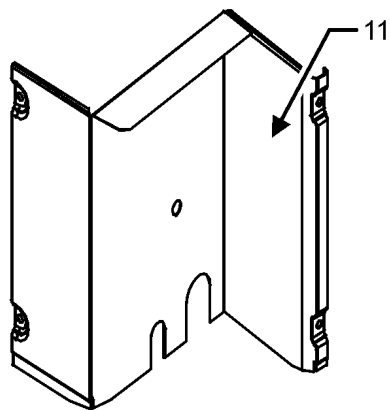
SPECIAL PARTS

0161R00095	CAP, GRILL
0161R00093	NAMEPLATE, DAIKIN

Control Panel Assembly



UPPER ACCESS PANEL



LOWER ACCESS PANEL

Control Panel Assembly

Ref. Part No:	Part No:	Description:	Ref. Part No:	Part No:	Description:
---------------	----------	--------------	---------------	----------	--------------

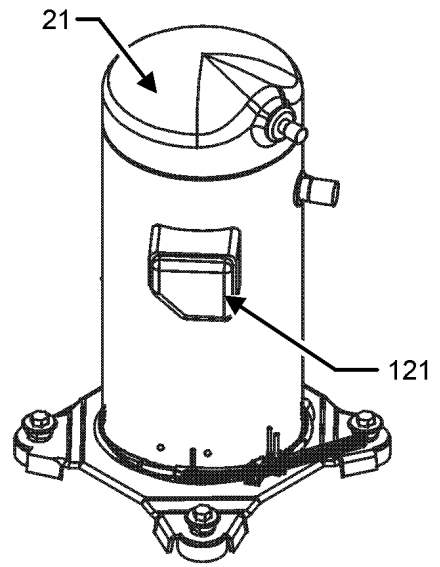
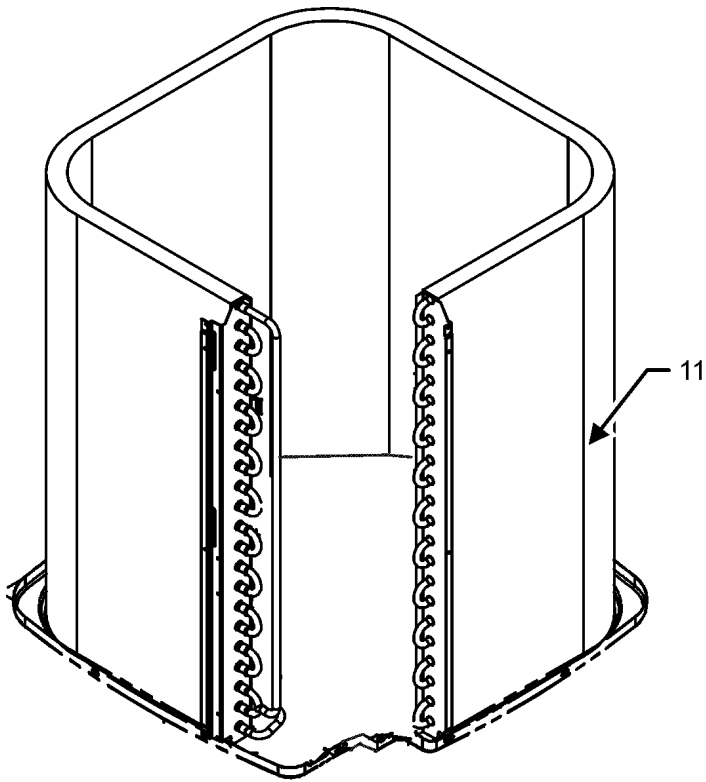
Image 1:

11	0121R00909PNG	PNL, LWR ACCESS (M23, M24)
11	0121R00912PNG	PNL, LWR ACCESS (M17, M18, M19, M20, M21, M22)
11	0121R00915PNG	PNL, LWR ACCESS (M1, M2, M3, M4, M5)
11	0121R00919PNG	PNL, LWR ACCESS (M6, M7, M8, M9, M10, M11, M12, M13, M14, M15, M16)
21	0121R00053PNG	CONTROL COVER
81	CAP050350440CS	CAP, 5/35 MFD/440V/DUAL RD (M6, M7, M8, M9)
81	CAP050400440CT	CAP, 5/40 MFD/440V/DUAL RD (M10, M11)
81	CAP050450440CT	CAP, 5/45 MFD/440V/DUAL RD (M12, M13, M14, M15, M16, M17, M18, M19, M20, M21, M22)
81	CAP050700440CT	CAP, 5/70 MFD/440V/DUAL RD (M23, M24)
81	CAP050300440CS	CAP,5/30MFD/440V/DUAL RD (M1, M2, M3, M4,
91	4400065	CAPACITOR STRAP
101	571006600	CoreSense Module
171	CONT1P025024V	CONTACTOR 25 AMP, 1P, 24V (M1, M2, M3, M4, M5, M6, M7, M8, M9, M10, M11, M12, M13, M14, M15, M16, M17, M18, M19, M20)
171	CONT1P030024V	CONTACTOR 30 AMP, 1P, 24V (M21, M22, M23, M24)
NS	0161R00093	NAMEPLATE, DAIKIN

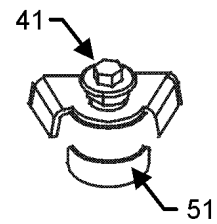
Expanded Model Nomenclature

M1 - DX14SA0181AB
M2 - DX14SA0181BA
M3 - DX14SA0181BC
M4 - DX14SA0191AC
M5 - DX14SA0191AE
M6 - DX14SA0241BB
M7 - DX14SA0241BD
M8 - DX14SA0251BB
M9 - DX14SA0251BD
M10 - DX14SA0301AD
M11 - DX14SA0311AD
M12 - DX14SA0361AD
M13 - DX14SA0361AF
M14 - DX14SA0361AG
M15 - DX14SA0371AD
M16 - DX14SA0371AF
M17 - DX14SA0421AD
M18 - DX14SA0421AF
M19 - DX14SA0431AD
M20 - DX14SA0431AF
M21 - DX14SA0481AC
M22 - DX14SA0481AE
M23 - DX14SA0601AC
M24 - DX14SA0601AE

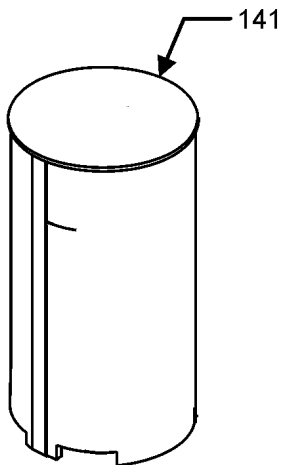
Tubing and Compressor Assembly



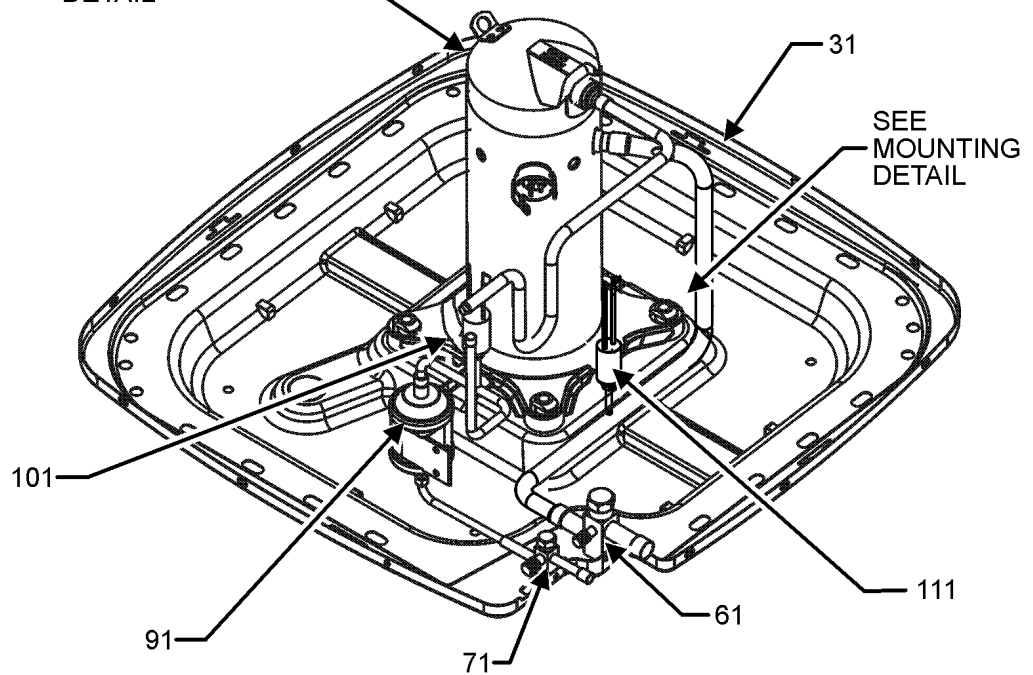
COMPRESSOR DETAIL



MOUNTING DETAIL



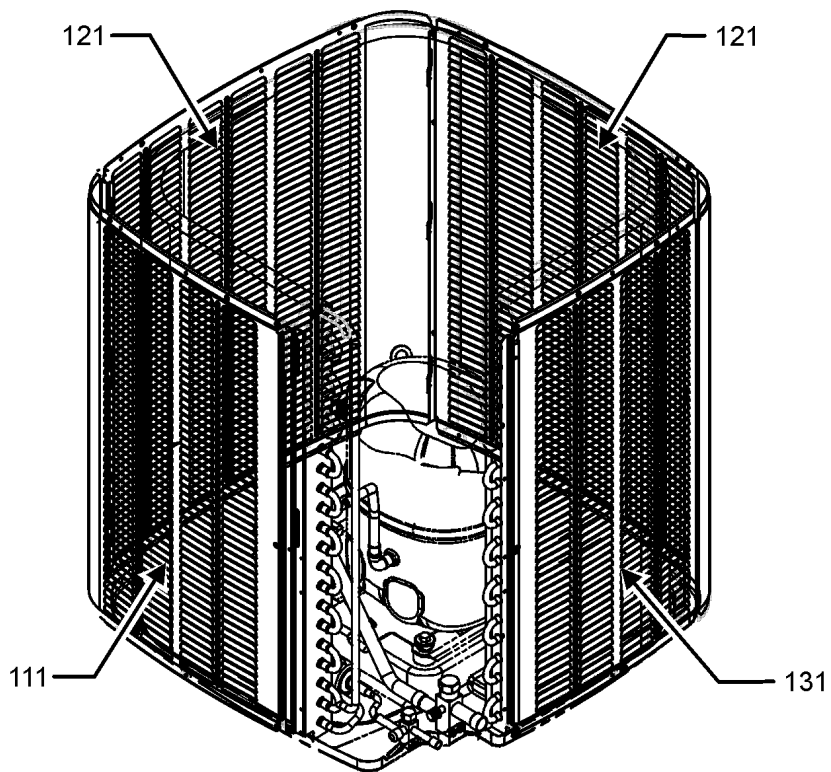
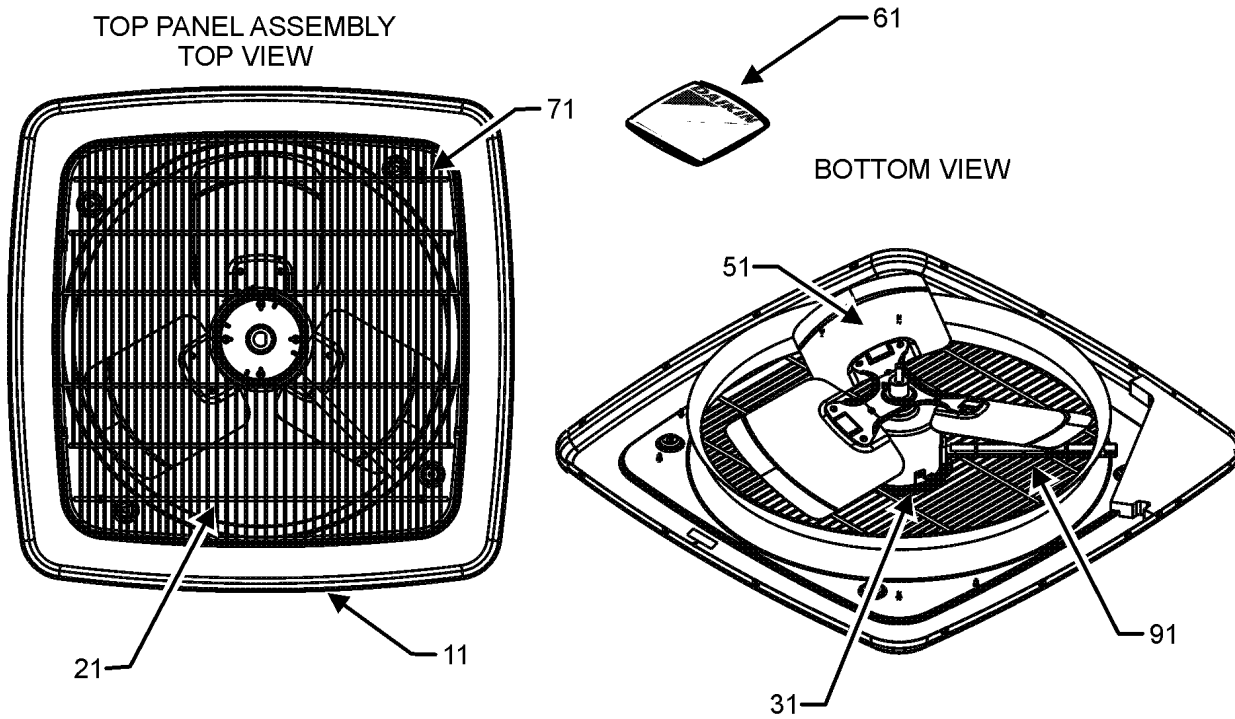
SEE COMPRESSOR
DETAIL



Tubing and Compressor Assembly

Ref. Part No: No:	Description:	Ref. Part No: No:	Description:
Image 1:		Expanded Model Nomenclature	
11	0201R00296	COIL TUBING ASSEMBLY (M11, M13, M14, M15, M16)	M1 - DX14SA0181AB
11	0201R00253	COIL TUBING ASSY (M10)	M2 - DX14SA0181BA
11	0201R00278	COIL TUBING ASSY (M12)	M3 - DX14SA0181BC
11	0201R00385	COIL TUBING ASSY (M21, M22)	M4 - DX14SA0191AC
11	0201R00433	COIL TUBING ASSY (M23, M24)	M5 - DX14SA0191AE
11	0201R00521	COIL TUBING ASSY (M1, M2, M3, M4, M5)	M6 - DX14SA0241BB
11	0201R00566	COIL TUBING ASSY (M17, M18, M19, M20)	M7 - DX14SA0241BD
11	0201R00666	COIL TUBING ASSY (M6, M7, M8, M9)	M8 - DX14SA0251BB
21	ZP14K6EPFV120	COMP, 20200, 208/230/60/1 (M2, M3, M4, M5)	M9 - DX14SA0251BD
21	ZP24K6EPFV120	COMP, 32500, 208/230/60/1 (M11)	M10 - DX14SA0301AD
21	ZP29K6EPFV120	COMP, 39700, 208/230/60/1 (M13, M14, M15, M16)	M11 - DX14SA0311AD
21	ZP16K5EPFV130	COMP, 15500, 208/230/60/1 (M1)	M12 - DX14SA0361AD
21	ZP20K5EPFV130	COMP, 20000, 208/230/60/1 (M6, M7, M8, M9)	M13 - DX14SA0361AF
21	ZP24K5EPFV130	COMP, 24000, 208/230/60/1 (M10)	M14 - DX14SA0361AG
21	ZP29K5EPFV130	COMP, 29000, 208/230/60/1 (M12)	M15 - DX14SA0371AD
21	ZP31K5EPFV130	COMP, 31100, 208/230/60/1 (M17, M18, M19, M20)	M16 - DX14SA0371AF
21	ZP38K5EPFV130	COMP, 37500, 208/230/60/1 (M21, M22)	M17 - DX14SA0421AD
21	ZP49K5EPFV130	COMP, 49400, 208/230/60/1 (M23, M24)	M18 - DX14SA0421AF
31	0121R00005PNG	BASE PAN, 26" PNT (M1, M2, M3, M4, M5, M6, M7, M8, M9)	M19 - DX14SA0431AD
31	0121R00006PNG	BASE PAN, 29" PNT (M10, M11, M12, M13, M14, M15, M16, M17, M18, M19, M20)	M20 - DX14SA0431AF
31	0121R00007PNG	BASE PAN, 35.5" PNT (M21, M22, M23, M24)	M21 - DX14SA0481AC
41	M0221641	TF SHOULDER SCREW (QTY 4)	M22 - DX14SA0481AE
51	B1339533	COMPRESSOR GROMMET (QTY 4)	M23 - DX14SA0601AC
61	0151R00185	BASE VALVE 3/4" (M1, M2, M3, M4, M5, M6, M7, M8, M9, M10, M11, M12, M13, M14, M15, M16)	M24 - DX14SA0601AE
61	0151R00186	BASE VALVE 7/8" (M17, M18, M19, M20, M21, M22, M23, M24)	
71	0151R00187	BASE VALVE 3/8"	
91	0162R00057	FILTER DRIER	
101	0130R00056	CUT-OUT SWITCH, HIGH PRESSURE	
111	0130M00082	LOW PRESSURE SWITCH	
121	0159R00000P	HARNESS, COMP SCROLL 130 36" (M1, M2, M3, M4, M5, M6, M7, M8, M9)	
121	0159R00001P	HARNESS, COMP SCROLL 130 42" (M10, M11, M12, M13, M14, M15, M16, M17, M18, M19, M20)	
121	0159R00002P	HARNESS, COMP SCROLL 130 46" (M21, M22)	
121	0159R00017	HARNESS, COMP-SCROLL (M23, M24)	
141	0160M00035	COMPRESSOR BLANKET (M1, M2, M3, M4, M5, M6, M7, M8, M9, M10, M11, M12, M13, M14, M15, M16, M17, M18, M19, M20)	
141	0160M00039	COMPRESSOR BLANKET (M21, M22, M23, M24)	
NS	B1789852	FLOW CHECK PISTON KIT (M1)	
NS	B1789853	FLOW CHECK PISTON KIT (M2, M3, M4, M5)	
NS	B1789857	FLOW CHECK PISTON KIT (M6, M7, M8, M9)	
NS	B1789863	FLOW CHECK PISTON KIT (M11)	
NS	B1789865	FLOW CHECK PISTON KIT (M10)	
NS	B1789868	FLOW CHECK PISTON KIT (M12, M13, M14)	
NS	B1789871	FLOW CHECK PISTON KIT (M15, M16)	
NS	B1789874	FLOW CHECK PISTON KIT (M17, M18, M19, M20)	
NS	B1789878	FLOW CHECK PISTON KIT (M21, M22)	
NS	B1789888	FLOW CHECK PISTON KIT (M23, M24)	

Top Panel and Louver Panel Assembly



LOUVER PANEL ASSEMBLY

Top Panel and Louver Panel Assembly

Ref. Part No:	Ref. Part No:	Description:	Description:
Image 1:		Image 1:	
11	0121R00009PNG	PANEL, VENTURI 26" PNT (M1, M2, M3, M4, M5, M6, M7, M8, M9)	131 0121R00247PNG LOUVERED SIDE PANEL [RT OF CNTL PNL] (M21, M22)
11	0121R00011PNG	PANEL, VENTURI 29" PNT (M10, M11, M13, M14, M15, M16, M17, M18, M19, M20)	131 0121R00248PNG LOUVERED SIDE PANEL [RT OF CNTL PNL] (M23, M24)
11	0121R00013PNG	PANEL, VENTURI 35" PNT (M21, M22, M23, M24)	NS M0280801 HEX NUT (QTY 4)
11	0121R00576PNG	TOP PANEL PAINTED, 29" (M12)	Expanded Model Nomenclature
21	0152R00010	GRILLE, WIRE 26" TOP (M1, M2, M3, M4, M5, M6, M7, M8, M9)	M1 - DX14SA0181AB
21	0152R00015	GRILLE, WIRE 29" TOP (M10, M11, M12, M13, M14, M15, M16, M17, M18, M19, M20)	M2 - DX14SA0181BA
21	0152R00016	GRILLE, WIRE 35" TOP (M21, M22, M23, M24)	M3 - DX14SA0181BC
31	0131M00811	1/8 HP 8 PL PSC MOTOR (M1, M2, M4, M6, M8)	M4 - DX14SA0191AC
31	0131M00968	MOTOR, 1/4HP, 1SP, 8PL, AL (M22, M24)	M5 - DX14SA0191AE
31	0131M00807	MOTOR, 1/4HP, 1SP, 8PL, AL (M21, M23)	M6 - DX14SA0241BB
31	0131M00753	MOTOR, 1/6HP, 1SP, 8PL, AL (M12, M13, M15, M17, M19)	M7 - DX14SA0241BD
31	0131M00971	MOTOR, 1/6HP, 1SP, 8PL, AL (M10, M11, M14, M16, M18, M20)	M8 - DX14SA0251BB
31	0131M00969	MOTOR, 1/8HP, 8PL, PSC (M3, M5, M7, M9)	M9 - DX14SA0251BD
51	0150M00012	BLADE-FAN 20" CCW (M2, M3, M4, M5, M6, M7, M8, M9)	M10 - DX14SA0301AD
51	0150M00018	FAN BLADE 20" (M1)	M11 - DX14SA0311AD
51	0150M00008	FAN BLADE, 22" TNT2203-25 (M10, M11, M12, M13, M14, M15, M16, M17, M18, M19, M20)	M12 - DX14SA0361AD
51	0150M00066	FAN BLADE, 26" (M21, M22, M23, M24)	M13 - DX14SA0361AF
61	0161R00095	CAP, GRILL	M14 - DX14SA0361AG
71	0163M00003P	SCREW #10 X 1/2, A, SLOT, SR, BLACK (M1, M2, M3, M4, M5, M6, M7, M8, M9, M10, M11, M13, M14, M15, M16, M17, M18, M19, M20, M21, M22, M23, M24)	M15 - DX14SA0371AD
71	0163M00004	SCREW, #10X3/4", BLK (M12)	M16 - DX14SA0371AF
91	0161R00000P	CONDUIT (M1, M2, M3, M4, M5, M6, M7, M8, M9)	M17 - DX14SA0421AD
91	0161R00002P	CONDUIT (M10, M11, M12, M13, M14, M15, M16, M17, M18, M19, M20)	M18 - DX14SA0421AF
91	0161R00004P	CONDUIT (M21, M22, M23, M24)	M19 - DX14SA0431AD
111	0121R00200PNG	LOUVER, SIDE PANEL (M10, M11, M12, M13, M14, M15, M16)	M20 - DX14SA0431AF
111	0121R00202PNG	LOUVER, SIDE PANEL (M17, M18, M19, M20)	M21 - DX14SA0481AC
111	0121R00207PNG	LOUVER, SIDE PANEL (M1, M2, M3, M4, M5)	M22 - DX14SA0481AE
111	0121R00208PNG	LOUVER, SIDE PANEL (M6, M7, M8, M9)	M23 - DX14SA0601AC
111	0121R00240PNG	LOUVER, SIDE PANEL, PNT (M23, M24)	M24 - DX14SA0601AE
111	0121R00239PNG	PANEL 1, LOUVER 35, 5MM, PNT (M21, M22)	
121	0121R00198PNG	LOUVER, SIDE PANEL (M1, M2, M3, M4, M5)	
121	0121R00199PNG	LOUVER, SIDE PANEL (M6, M7, M8, M9)	
121	0121R00204PNG	LOUVER, SIDE PANEL (M10, M11, M12, M13, M14, M15, M16)	
121	0121R00205PNG	LOUVER, SIDE PANEL (M17, M18, M19, M20)	
121	0121R00244PNG	LOUVER, SIDE PANEL, PNT (M23, M24)	
121	0121R00243PNG	PANEL 2, LOUVER 35, 5MM, PNT (M21, M22)	
131	0121R00193PNG	LOUVER, SIDE PANEL (M10, M11, M12, M13, M14, M15, M16)	
131	0121R00194PNG	LOUVER, SIDE PANEL (M17, M18, M19, M20)	
131	0121R00196PNG	LOUVER, SIDE PANEL (M1, M2, M3, M4, M5)	
131	0121R00197PNG	LOUVER, SIDE PANEL (M6, M7, M8, M9)	