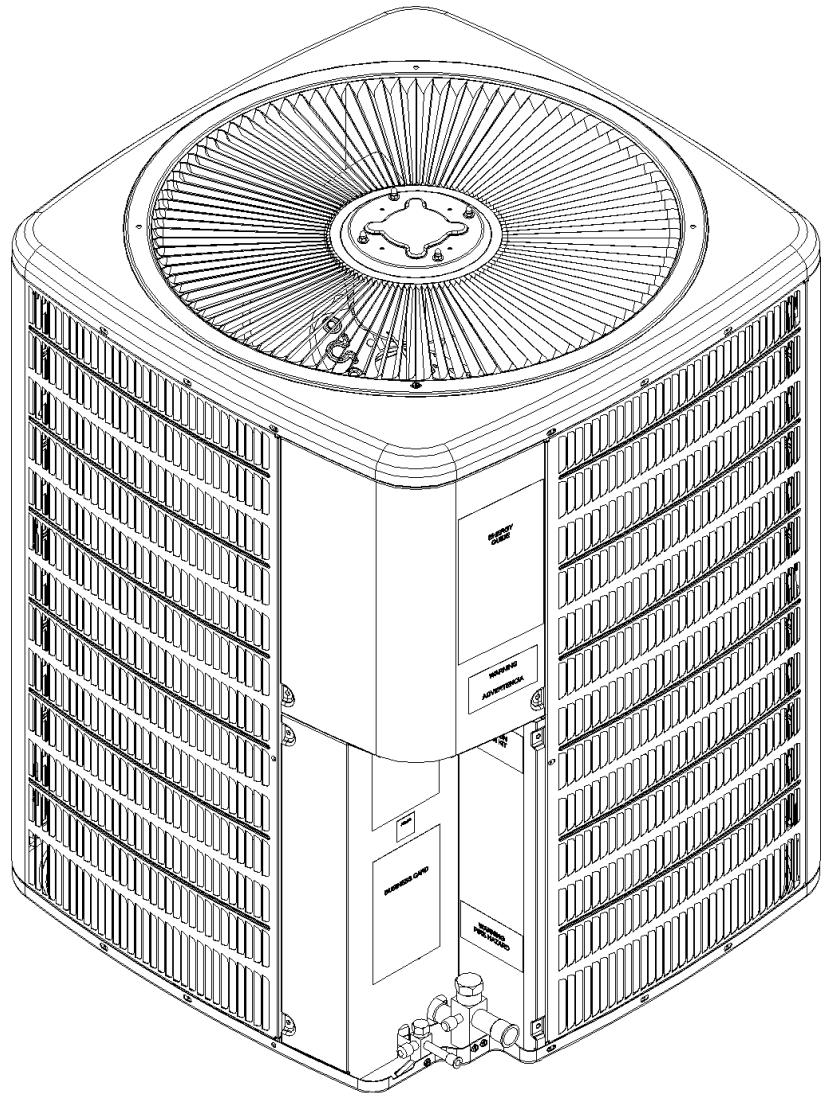


**DX13SN Remote Air Conditioner**

DX13SN0181AD  
DX13SN0181AE  
DX13SN0181BA  
DX13SN0181BB  
DX13SN0241BC  
DX13SN0301AD  
DX13SN0301AE  
DX13SN0361AD  
DX13SN0361AE  
DX13SN0421AD  
DX13SN0421AE  
DX13SN0421AF  
DX13SN0421AG  
DX13SN0481AD  
DX13SN0481AE  
DX13SN0601AD  
DX13SN0601AE  
DX13SN0611AC



This manual is to be used by qualified technicians only.

This manual replaces RP-D4310.

# Important Information

---

## Index

Functional Parts List .....	3
Illustration and Parts .....	4 - 9

*Views shown are for parts illustrations only, not servicing procedures.*

### Text Codes:

AR - As Required

NA - Not Available

NS - Not Shown

00000000 - See Note

QTY - Quantity Example (QTY 3) (If Quantity not shown, Quantity = 1)

M - Model Example (M1) (If M Code not shown, then part is used on all Models)

### Expanded Model Nomenclature:

Example M1 - Model#1 M2 - Model#2 M3 - Model#3
---

Daikin Company, L.P. is not responsible for personal injury or property damage resulting from improper service. Review all service information before beginning repairs.

Warranty service must be performed by an authorized technician, using authorized factory parts. If service is required after the warranty expires, Daikin Company, L.P. also recommends contacting an authorized technician and using authorized factory parts.

Daikin Company, L.P. reserves the right to discontinue, or change at any time, specifications or designs without notice or without incurring obligations.

For assistance within the U.S.A. contact:

Homeowner Support  
Daikin North America, LLC  
19001 Kermier Road  
Waller, Texas 77484  
855-770-5678-Telephone  
713-863-2382-Facsimile

For assistance outside the U.S.A. contact:

International Division  
Daikin North America, LLC  
19001 Kermier Road  
Waller, Texas 77484  
713-861-2500-Telephone  
713-863-2382-Facsimile

# Functional Parts

## Part

## No: Description:

50N382XV-ZAKM	1.5T RECHI ROTARY COMPRESSOR (M3, M4)
0131M00811	1/8 HP 8 PL PSC MOTOR (M2, M4)
50N492ZV-ZAKM	2.0TONRECHI COMPR.4 LEGS (M5)
0151R00079	BASE VALVE 3/4" (M1, M2, M3, M4, M5, M6, M7, M8, M9)
0151R00078	BASE VALVE 3/8"
0151R00080	BASE VALVE 7/8" (M10, M11, M12, M13, M14, M15, M16, M17, M18)
CAP050300440CS	CAP,5/30MFD/440V/DUAL RD (M1, M2)
CAP050350440CS	CAPACITOR 5/35/440V (M3, M4)
CAP050400440CT	CAPACITOR 5/40/440V/DUAL RD (M6, M7)
CAP050450440CT	CAPACITOR 5/45/440V/DUAL RD (M5, M8, M9, M10, M11, M12, M13, M14, M15)
CAP050700440CT	CAPACITOR 5/70/440V/DUAL RD (M16, M17, M18)
ZP24K5EPFV130	COMP,24000,208/230/60/1 (M6, M7)
ZP29K5EPFV130	COMP,29000,208/230/60/1 (M8, M9)
ZP49K5EPFV130	COMP,49400,208/230/60/1 (M16, M17)
ZP16K5EPFV130	COMPRESSOR 15500, 208/230/60/1 (M1, M2)
ZP34K5EPFV130	COMPRESSOR 34500, 208/230/60/1 (M10, M11, M12, M13)
ZP39K5EPFV130	COMPRESSOR 39000, 208/230/60/1 (M14, M15)
ZP51K5EPFV130	COMPRESSOR 51000, 208/230/60/1 (M18)
0131M00018P	COND MOTOR 1/4 HP, 1 SP, 6 PL (M8, M10, M12, M14, M16)
0131M00266	COND MOTOR 1/8 HP, 8 PL, PSC (M1, M3)
CONT1P025024V	CONTACTOR 25 AMP, 1P, 24V (M1, M2, M3, M4, M5, M6, M7, M8, M9, M10, M11, M12, M13)
CONT1P030024V	CONTACTOR 30 AMP, 1P, 24V (M14, M15, M16, M17, M18)
0150M00041	FAN BLADE (M8, M9)
0150M00018	FAN BLADE 20" (M1, M2, M3, M4, M5, M6, M7)
B1086750	FAN BLADE 22", 3 BLADE, 24° (M10, M11, M12, M13, M14, M15, M16, M17)
10625738	FAN BLADE 26" ALUM CCW (M18)
0130M00082	LOW PRESSURE SWITCH (M1, M2)
0131M00813	MOTOR, 1/4HP, 1SP, 6PL (M9, M11, M13, M15, M17)
0131M00807	MOTOR, 1/4HP,1SP,8PL,AL (M18)
0131M00800	MOTOR, 1/8HP, 1SP, 6PL, AL (M5, M6, M7)
0130M00327	SW-CUTOOUT HI PRESS (M3, M4, M5)

## Expanded Model Nomenclature

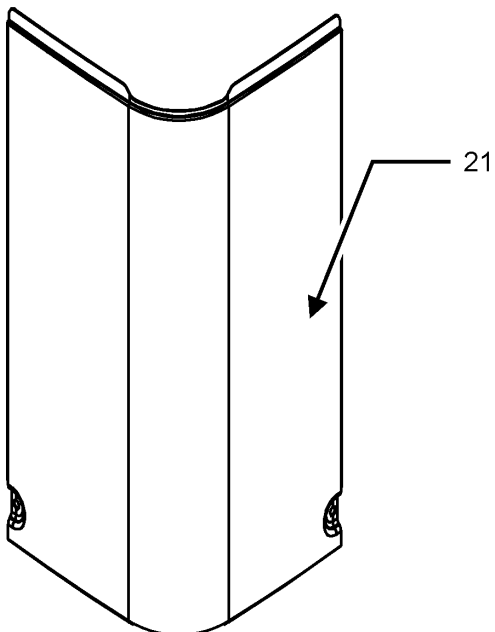
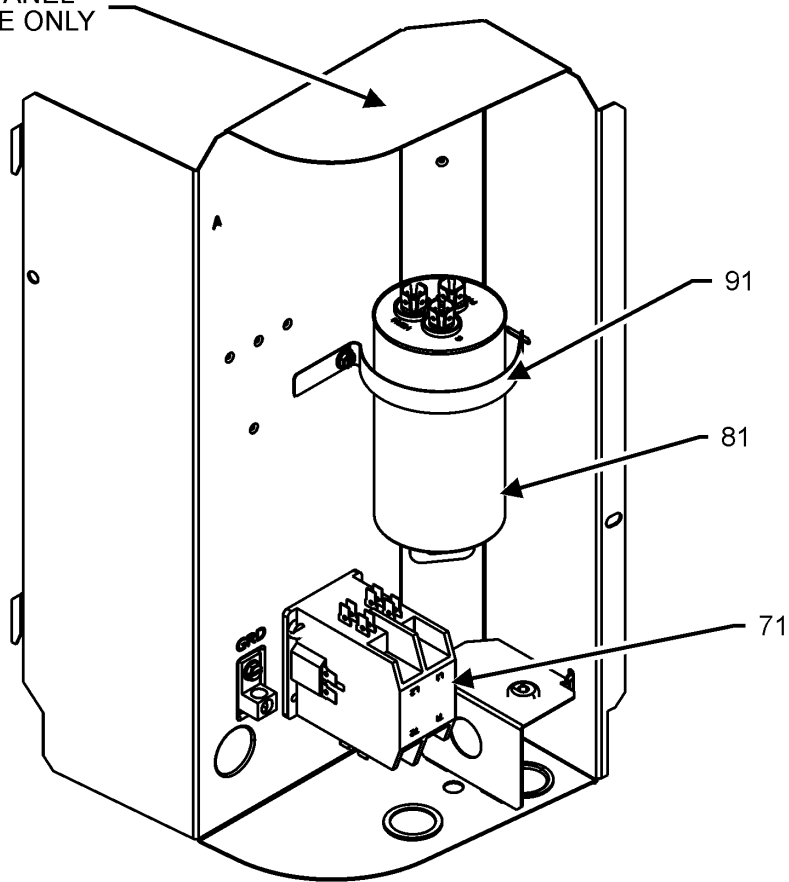
M1 - DX13SN0181AD
M2 - DX13SN0181AE
M3 - DX13SN0181BA
M4 - DX13SN0181BB
M5 - DX13SN0241BC
M6 - DX13SN0301AD
M7 - DX13SN0301AE
M8 - DX13SN0361AD
M9 - DX13SN0361AE
M10 - DX13SN0421AD
M11 - DX13SN0421AE
M12 - DX13SN0421AF
M13 - DX13SN0421AG
M14 - DX13SN0481AD
M15 - DX13SN0481AE
M16 - DX13SN0601AD
M17 - DX13SN0601AE
M18 - DX13SN0611AC

## SPECIAL PARTS

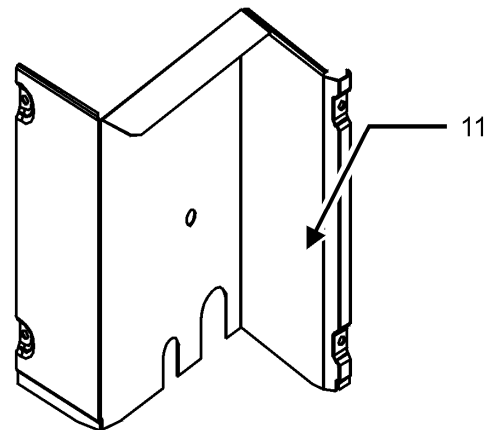
0161R00036	NAMEPLATE, DAIKIN
------------	-------------------

# Control Box Assembly

CONTROL PANEL  
REFERENCE ONLY



UPPER ACCESS COVER



LOWER ACCESS PANEL

# Control Box Assembly

Ref. Part No:	Part No:	Description:	Ref. Part No:	Part No:	Description:
---------------	----------	--------------	---------------	----------	--------------

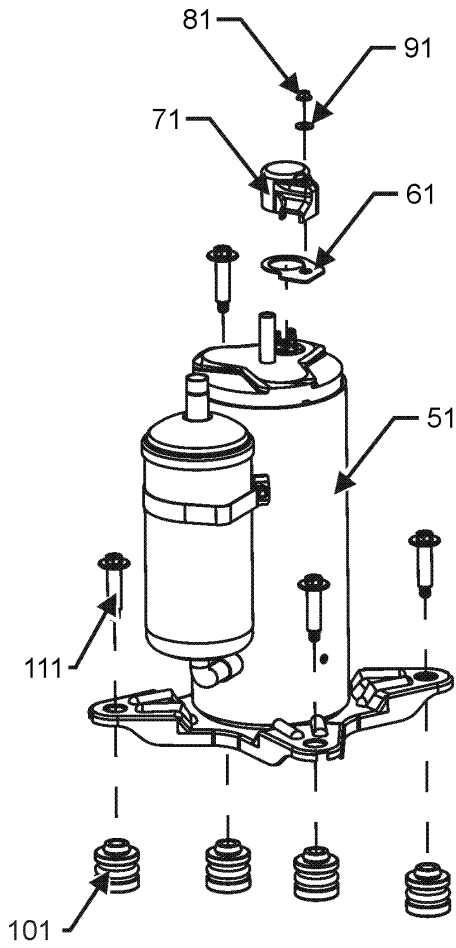
**Image 1:**

11	0121R00316PNG	PANEL, LOWER ACCESS PNT (M16, M17)
11	0121R00319PNG	PANEL, LOWER ACCESS PNT (M10, M11, M12, M13, M14, M15, M18)
11	0121R00326PNG	PANEL, LOWER ACCESS PNT (M1, M2, M3, M4, M5, M6, M7, M8, M9)
21	0121R00053PNG	CONTROL COVER, SMALL PNT
71	CONT1P025024V	CONTACTOR 25 AMP, 1P, 24V (M1, M2, M3, M4, M5, M6, M7, M8, M9, M10, M11, M12, M13)
71	CONT1P030024V	CONTACTOR 30 AMP, 1P, 24V (M14, M15, M16, M17, M18)
81	CAP050300440CS	CAP,5/30MFD/440V/DUAL RD (M1, M2)
81	CAP050350440CS	CAPACITOR 5/35/440V (M3, M4)
81	CAP050400440CT	CAPACITOR 5/40/440V/DUAL RD (M6, M7)
81	CAP050450440CT	CAPACITOR 5/45/440V/DUAL RD (M5, M8, M9, M10, M11, M12, M13, M14, M15)
81	CAP050700440CT	CAPACITOR 5/70/440V/DUAL RD (M16, M17, M18)
91	4400065	CAPACITOR STRAP
NS	0161R00036	NAMEPLATE, DAIKIN

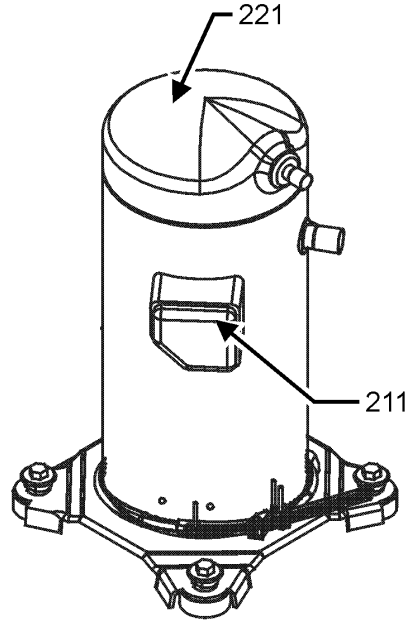
**Expanded Model Nomenclature**

M1 - DX13SN0181AD
M2 - DX13SN0181AE
M3 - DX13SN0181BA
M4 - DX13SN0181BB
M5 - DX13SN0241BC
M6 - DX13SN0301AD
M7 - DX13SN0301AE
M8 - DX13SN0361AD
M9 - DX13SN0361AE
M10 - DX13SN0421AD
M11 - DX13SN0421AE
M12 - DX13SN0421AF
M13 - DX13SN0421AG
M14 - DX13SN0481AD
M15 - DX13SN0481AE
M16 - DX13SN0601AD
M17 - DX13SN0601AE
M18 - DX13SN0611AC

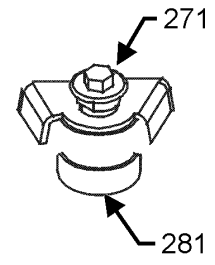
# Compressor and Tubing Assembly



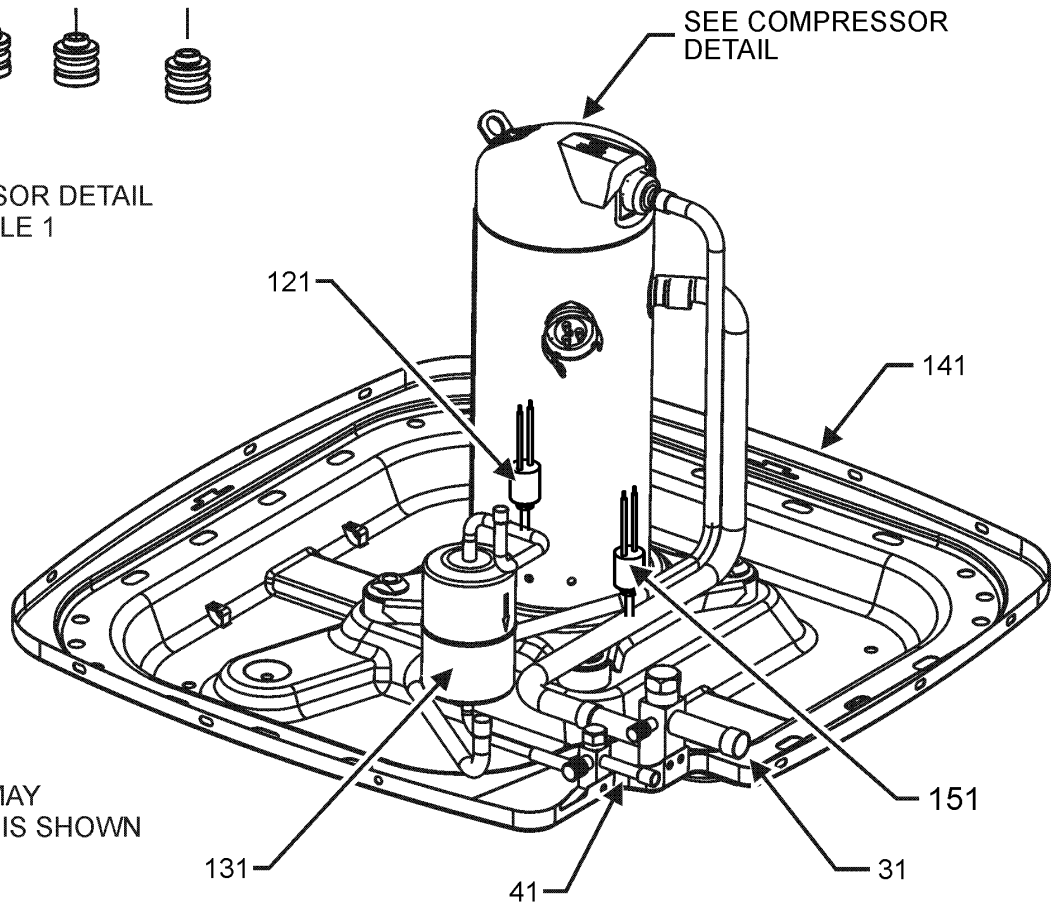
COMPRESSOR DETAIL  
STYLE 1



COMPRESSOR  
DETAIL  
STYLE 2



MOUNTING  
DETAIL



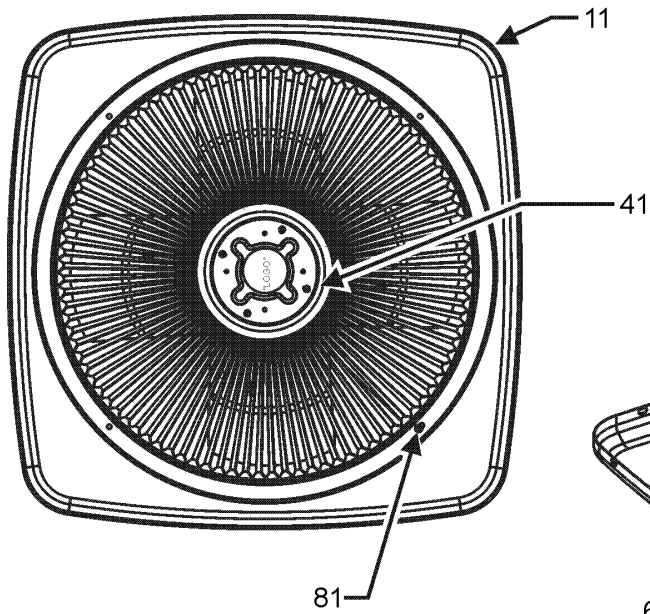
TUBING ASSEMBLY MAY  
DIFFER FROM WHAT IS SHOWN

# Compressor and Tubing Assembly

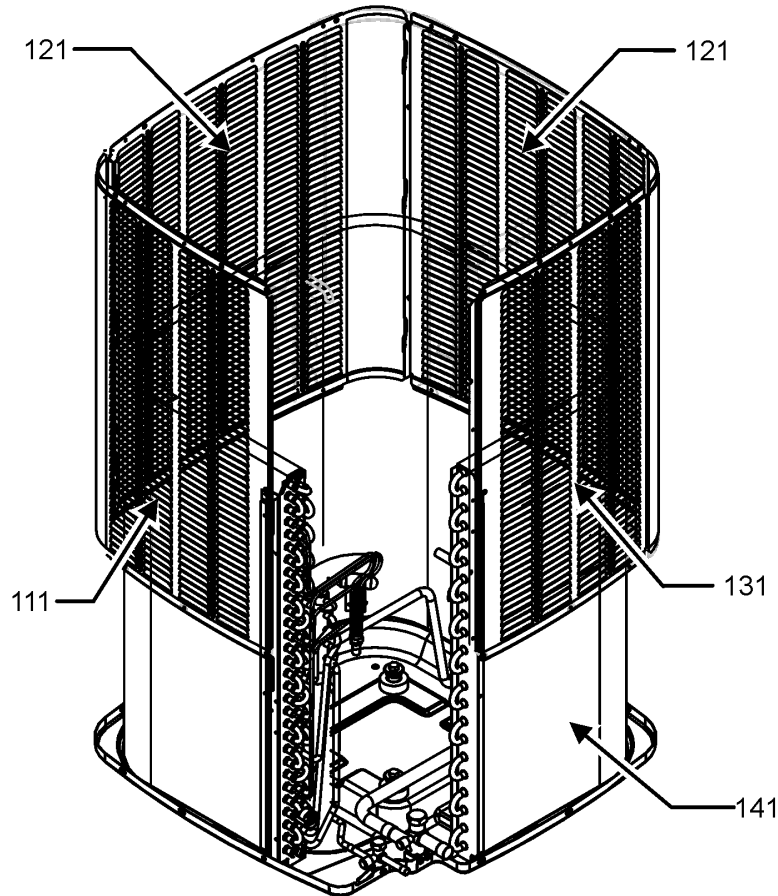
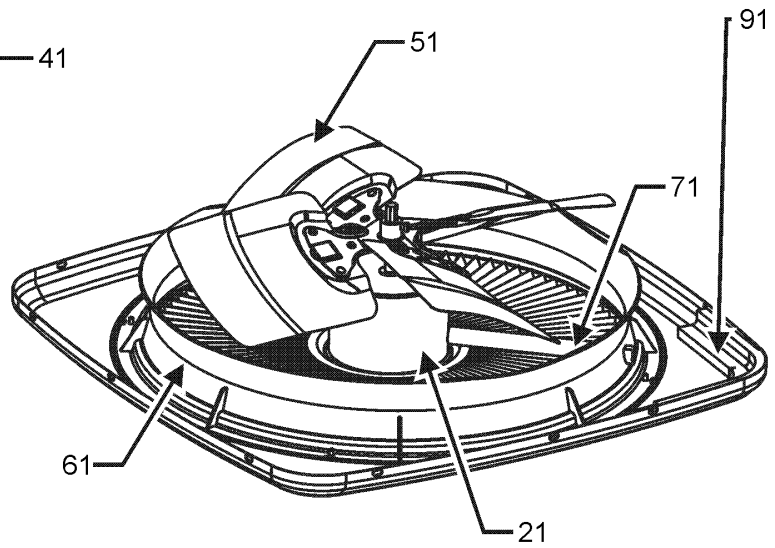
Ref. Part No:	No:	Description:	Ref. Part No:	No:	Description:
<i>Image 1:</i>			<b>Expanded Model Nomenclature</b>		
31	0151R00079	BASE VALVE 3/4" (M1, M2, M3, M4, M5, M6, M7, M8, M9)	M1	-	DX13SN0181AD
31	0151R00080	BASE VALVE 7/8" (M10, M11, M12, M13, M14, M15, M16, M17, M18)	M2	-	DX13SN0181AE
41	0151R00078	BASE VALVE 3/8"	M3	-	DX13SN0181BA
51	50N382XV-ZAKM	1.5T RECHI ROTARY COMPRESSOR (M3, M4)	M4	-	DX13SN0181BB
51	50N492ZV-ZAKM	2.0TONRECHI COMPR.4 LEGS (M5)	M5	-	DX13SN0241BC
61	60100107	TERMINAL COVER GASKET (M3, M4, M5)	M6	-	DX13SN0301AD
71	60100317	TERMINAL COVER (M3, M4, M5)	M7	-	DX13SN0301AE
81	60100401	TERMINAL NUT - RECHI COMP (M3, M4, M5)	M8	-	DX13SN0361AD
91	60100201	WASHER - RECHI COMPRESSOR (M3, M4, M5)	M9	-	DX13SN0361AE
101	60140209	GROMMET - RECHI COMPRESSOR (M3, M4, M5)	M10	-	DX13SN0421AD
111	0163M00186	SCREW-SHOULDER TF (M3, M4, M5)	M11	-	DX13SN0421AE
121	0130M00327	SW-CUTOUT HI PRESS (M3, M4, M5)	M12	-	DX13SN0421AF
131	0162R00009	FILTER DRIER	M13	-	DX13SN0421AG
141	0121R00005PNG	BASE PAN, 26" PNT (M1, M2, M3, M4, M5, M6, M7, M8, M9)	M14	-	DX13SN0481AD
141	0121R00006PNG	BASE PAN, 29" PNT (M10, M11, M12, M13, M14, M15, M16, M17)	M15	-	DX13SN0481AE
141	0121R00007PNG	BASE PAN, 35.5" PNT (M18)	M16	-	DX13SN0601AD
151	0130M00082	LOW PRESSURE SWITCH (M1, M2)	M17	-	DX13SN0601AE
211	0159R00000P	COMPRESSOR SCROLL HARNESS (M1, M2, M6, M7, M8, M9)	M18	-	DX13SN0611AC
211	0159R00001P	COMPRESSOR SCROLL HARNESS (M10, M11, M12, M13, M14, M15)			
211	0159R00002P	COMPRESSOR SCROLL HARNESS (M16, M17, M18)			
221	ZP24K5EPFV130	COMP,24000,208/230/60/1 (M6, M7)			
221	ZP29K5EPFV130	COMP,29000,208/230/60/1 (M8, M9)			
221	ZP49K5EPFV130	COMP,49400,208/230/60/1 (M16, M17)			
221	ZP16K5EPFV130	COMPRESSOR 15500, 208/230/60/1 (M1, M2)			
221	ZP34K5EPFV130	COMPRESSOR 34500, 208/230/60/1 (M10, M11, M12, M13)			
221	ZP39K5EPFV130	COMPRESSOR 39000, 208/230/60/1 (M14, M15)			
221	ZP51K5EPFV130	COMPRESSOR 51000, 208/230/60/1 (M18)			
271	M0221641	TF SHOULDER SCREW (M1, M2, M6, M7, M8, M9, M10, M11, M12, M13, M14, M15, M16, M17, M18)			
281	B1339533	COMPRESSOR GROMMET (M1, M2, M6, M7, M8, M9, M10, M11, M12, M13, M14, M15, M16, M17, M18)			

# Cabinet Top and Side Panel Assembly

TOP VIEW



BOTTOM VIEW



LOUVER PANEL ASSEMBLY

# Cabinet Top and Side Panel Assembly

Ref. Part No:	Ref. Part No:	Description:	Description:	
<b>Image 1:</b>		<b>Image 1:</b>		
11	0121R00008PNG	PANEL, TOP 26" PNT (M1, M2, M3, M4, M5, M6, M7, M8, M9)	NS B1789855 FLOW CHECK PISTON KIT .055 (M5)	
11	0121R00010PNG	PANEL, TOP 29" PNT (M10, M11, M12, M13, M14, M15, M16, M17)	NS B1789861 FLOW CHECK PISTON KIT .061 (M6, M7)	
11	0121R00269PNG	PANEL, TOP 35" PNT (M18)	NS B1789870 FLOW CHECK PISTON KIT .070 (M8, M9)	
21	0131M00811	1/8 HP 8 PL PSC MOTOR (M2, M4)	NS B1789876 FLOW CHECK PISTON KIT .076 (M10, M11, M12, M13)	
21	0131M00018P	COND MOTOR 1/4 HP, 1 SP, 6 PL (M8, M10, M12, M14, M16)	NS B1789880 FLOW CHECK PISTON KIT .080 (M14, M15)	
21	0131M00266	COND MOTOR 1/8 HP, 8 PL, PSC (M1, M3)	NS 0163M00005P WASHER, BLACK (.50 OD .218ID) (QTY 4)	
21	0131M00813	MOTOR, 1/4HP, 1SP, 6PL (M9, M11, M13, M15, M17)	<b>Expanded Model Nomenclature</b>	
21	0131M00807	MOTOR, 1/4HP, 1SP, 8PL, AL (M18)	M1 - DX13SN0181AD	
21	0131M00800	MOTOR, 1/8HP, 1SP, 6PL, AL (M5, M6, M7)	M2 - DX13SN0181AE	
41	0163M00006P	ACORN NUT 5/16 HEX BLACK (QTY 4)	M3 - DX13SN0181BA	
51	0150M00041	FAN BLADE (M8, M9)	M4 - DX13SN0181BB	
51	0150M00018	FAN BLADE 20" (M1, M2, M3, M4, M5, M6, M7)	M5 - DX13SN0241BC	
51	B1086750	FAN BLADE 22", 3 BLADE, 24° (M10, M11, M12, M13, M14, M15, M16, M17)	M6 - DX13SN0301AD	
51	10625738	FAN BLADE 26" ALUM CCW (M18)	M7 - DX13SN0301AE	
61	0161L00000	VENTURI RING 22" (M10, M11, M12, M13, M14, M15, M16, M17)	M8 - DX13SN0361AD	
61	0161R00007P	VENTURI RING 35" (M18)	M9 - DX13SN0361AE	
71	0161R00001P	CONDUIT (M1, M2, M3, M4, M5, M6, M7, M8, M9)	M10 - DX13SN0421AD	
71	0161R00002P	CONDUIT (M10, M11, M12, M13, M14, M15, M16, M17)	M11 - DX13SN0421AE	
71	0161R00004P	CONDUIT (M18)	M12 - DX13SN0421AF	
81	0163M00003P	SCREW #10 X 1/2, A, SLOT, SR, BLACK (M1, M2, M3, M4, M5, M6, M7, M8, M9)	M13 - DX13SN0421AG	
81	0163M00004	SCREW #10X3/4", BLACK (M10, M11, M12, M13, M14, M15, M16, M17, M18)	M14 - DX13SN0481AD	
91	0154R00006	GASKET, CONTROL PANEL	M15 - DX13SN0481AE	
111	0121R00202PNGB	PANEL 1, BENT LOUVER PNT (M10, M11, M12, M13, M14, M15)	M16 - DX13SN0601AD	
111	0121R00203PNGB	PANEL 1, BENT LOUVER PNT (M16, M17)	M17 - DX13SN0601AE	
111	0121R00207PNGB	PANEL 1, BENT LOUVER PNT (M1, M2, M3, M4, M5, M6, M7, M8, M9)	M18 - DX13SN0611AC	
111	0121R00239PNGB	PANEL 1, BENT LOUVER PNT (M18)		
121	0121R00198PNGB	Panel 2 bent (M1, M2, M3, M4, M5, M6, M7, M8, M9)		
121	0121R00205PNGB	Panel 2, Bent Louver (M10, M11, M12, M13, M14, M15)		
121	0121R00206PNGB	Panel 2, Bent Louver (M16, M17)		
121	0121R00243PNGB	Panel 2, Bent Louver (M18)		
131	0121R00194PNG	LOUVER, SIDE PANEL (M10, M11, M12, M13, M14, M15)		
131	0121R00195PNG	LOUVER, SIDE PANEL (M16, M17)		
131	0121R00196PNG	LOUVER, SIDE PANEL (M1, M2, M3, M4, M5, M6, M7, M8, M9)		
131	0121R00247PNG	PANEL 3, LOUVER 35, 5MM, PNT (M18)		
141	0201R00349	COIL TUBING ASSY (M16, M17)		
141	0201R00385	COIL TUBING ASSY (M18)		
141	0201R00458	COIL TUBING ASSY (M3, M4, M6, M7, M8, M9)		
141	0201R00472	COIL TUBING ASSY (M10, M11, M12, M13, M14, M15)		
141	0201R00510	COIL TUBING ASSY (M1, M2, M5)		
NS	B1789886	FLOW CHECK PISTON KIT (M16, M17, M18)		
NS	B1789851	FLOW CHECK PISTON KIT .051 (M1, M2)		
NS	B1789852	FLOW CHECK PISTON KIT .052 (M3, M4)		