

## DX13SN Remote Air Conditioner

DX13SN0181AF  
DX13SN0181AG  
DX13SN0241BD  
DX13SN0241BE  
DX13SN0301AF  
DX13SN0301AG  
DX13SN0361AF  
DX13SN0361AH  
DX13SN0421AH  
DX13SN0421AJ  
DX13SN0481AF  
DX13SN0481AG  
DX13SN0601AF  
DX13SN0601AG  
DX13SN0611AD  
DX13SN0611AE



This manual is to be used by qualified technicians only.

This manual replaces RP-D4341B.

# Important Information

---

## Index

Functional Parts List .....	3
Illustration and Parts .....	4 - 9

*Views shown are for parts illustrations only, not servicing procedures.*

### Text Codes:

AR - As Required

NA - Not Available

NS - Not Shown

00000000 - See Note

QTY - Quantity Example (QTY 3) (If Quantity not shown, Quantity = 1)

M - Model Example (M1) (If M Code not shown, then part is used on all Models)

### Expanded Model Nomenclature:

Example
M1 - Model#1
M2 - Model#2
M3 - Model#3

Daikin Comfort Technologies Manufacturing , L.P. is not responsible for personal injury or property damage resulting from improper service. Review all service information before beginning repairs.

Warranty service must be performed by an authorized technician, using authorized factory parts. If service is required after the warranty expires, Daikin Comfort Technologies Manufacturing , L.P. also recommends contacting an authorized technician and using authorized factory parts.

Daikin Comfort Technologies Manufacturing , L.P. reserves the right to discontinue, or change at any time, specifications or designs without notice or without incurring obligations.

For assistance within the U.S.A. contact:  
Homeowner Support  
Daikin Comfort Technologies Manufacturing , L.P.  
19001 Kermier Road  
Waller, Texas 77484  
855-770-5678-Telephone  
713-863-2382-Facsimile

For assistance outside the U.S.A. contact:  
International Division  
Daikin Comfort Technologies Manufacturing , L.P.  
19001 Kermier Road  
Waller, Texas 77484  
713-861-2500-Telephone  
713-863-2382-Facsimile

# Functional Parts

**Part No:**            **Description:**

0131M00811	1/8 HP 8 PL PSC MOTOR (M1)
50N492ZV-ZAKM	2.0TONRECHI COMPR.4 LEGS (M3, M4)
0151R00185	BASE VALVE 3/4" (M1, M2, M3, M4, M5, M6, M7, M8)
0151R00187	BASE VALVE 3/8"
0151R00186	BASE VALVE 7/8" (M9, M10, M11, M12, M13, M14, M15, M16)
CAB050400440CT	CAP, 5/40 MFD/440V RD - BPRF (M5, M6)
CAB050450440CT	CAP, 5/45 MFD/440V RD - BPRF (M3, M4, M7, M8, M9, M10, M11, M12)
CAB050700440CT	CAP, 5/70 MFD/440V RD - BPRF (M13, M14, M15, M16)
CAP050300440CS	CAP,5/30MFD/440V/DUAL RD (M1, M2)
ZP16K5EPFV130	COMP,15500,208/230/60/1 (M1, M2)
ZP24K5EPFV130	COMP,24000,208/230/60/1 (M5, M6)
ZP29K5EPFV130	COMP,29000,208/230/60/1 (M7, M8)
ZP34K5EPFV130	COMP,34500,208/230/60/1 (M9, M10)
ZP39K5EPFV130	COMP,39000,208/230/60/1 (M11, M12)
ZP49K5EPFV130	COMP,49400,208/230/60/1 (M13, M14)
ZP51K5EPFV130	COMP,51000,208/230/60/1 (M15, M16)
CONT1P030024V	CONT, 1 POLE, 30 AMP, 24 VAC (M3, M4, M5, M6)
CONT1P030024V	CONT, 1 POLE, 30 AMP, 24 VAC (M3, M4, M5, M6)
0150M00041	FAN BLADE (M7)
0150M00067	FAN BLADE (M8)
0150M00018	FAN BLADE 20" (M1, M2, M3, M4, M5, M6)
B1086750	FAN BLADE, 22", 3 BLADE,24 DEG (M9, M10, M11, M12, M13, M14)
0150M00066	FAN BLADE, 26" (M15, M16)
0130M00082	LOW PRESSURE SWITCH (M1, M2)
0131M00813	MOTOR, 1/4HP, 1SP, 6PL (M7, M9, M11, M13)
0131M00968	MOTOR, 1/4HP, 1SP, 8PL, AL (M16)
0131M00807	MOTOR, 1/4HP,1SP,8PL,AL (M15)
0131M00967	MOTOR, 1/8HP, 1SP, 6PL, AL (M4, M6)
0131M00800	MOTOR, 1/8HP, 1SP, 6PL, AL (M3, M5)
0131M00969	MOTOR, 1/8HP, 8PL, PSC (M2)
0131M00954	MOTOR, OD, PSC, 1/4HP (M8, M10, M12, M14)
0130M00089	SW-CUTOUT HI PRESS (M3, M4)

## Expanded Model Nomenclature

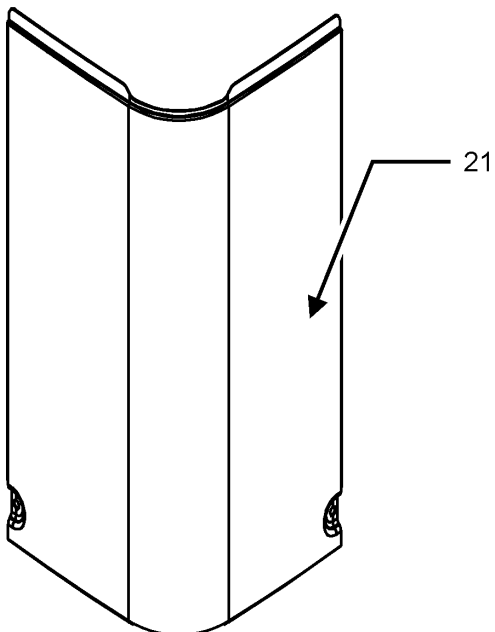
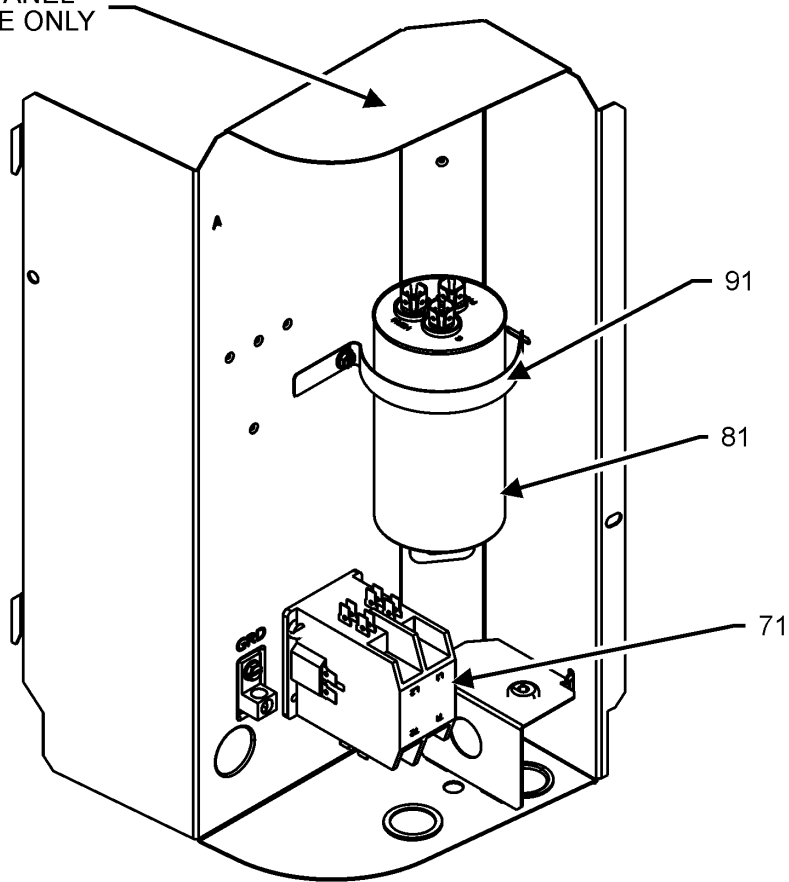
M1 - DX13SN0181AF
M2 - DX13SN0181AG
M3 - DX13SN0241BD
M4 - DX13SN0241BE
M5 - DX13SN0301AF
M6 - DX13SN0301AG
M7 - DX13SN0361AF
M8 - DX13SN0361AH
M9 - DX13SN0421AH
M10 - DX13SN0421AJ
M11 - DX13SN0481AF
M12 - DX13SN0481AG
M13 - DX13SN0601AF
M14 - DX13SN0601AG
M15 - DX13SN0611AD
M16 - DX13SN0611AE

## SPECIAL PARTS

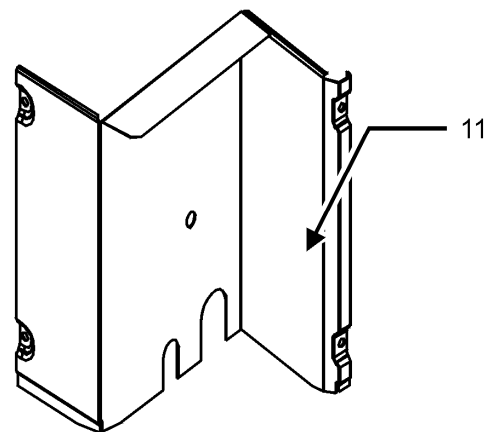
0161R00093	NAMEPLATE, DAIKIN
------------	-------------------

# Control Box Assembly

CONTROL PANEL  
REFERENCE ONLY



UPPER ACCESS COVER



LOWER ACCESS PANEL

# Control Box Assembly

Ref. Part No:	Part No:	Description:	Ref. Part No:	Part No:	Description:
---------------	----------	--------------	---------------	----------	--------------

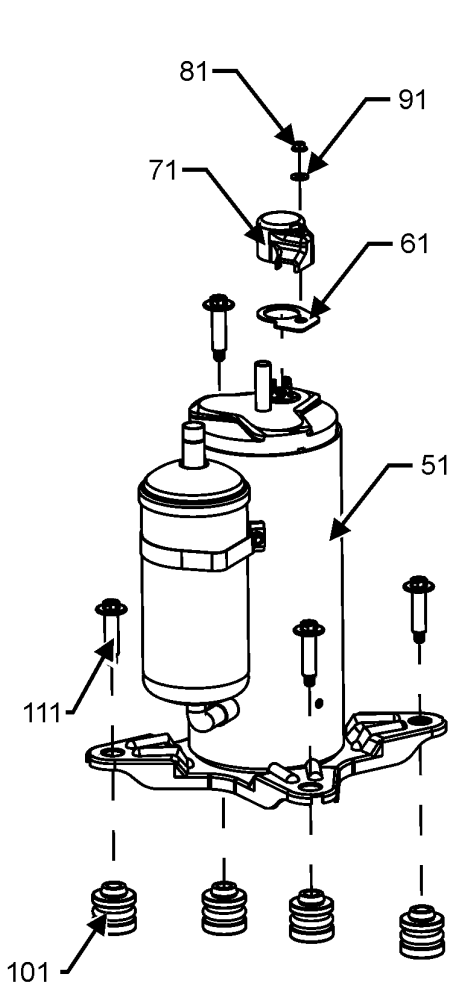
**Image 1:**

11	0121R00909PNG	PNL, LWR ACCESS (M13, M14)
11	0121R00912PNG	PNL, LWR ACCESS (M9, M10, M11, M12, M15, M16)
11	0121R00915PNG	PNL, LWR ACCESS (M1, M2, M3, M4, M5, M6, M7, M8)
21	0121R00937PNG	CONTROL COVER, SMALL PNT
71	CONT1P030024V	CONT, 1 POLE, 30 AMP, 24 VAC (M3, M4, M5, M6)
71	CONT1P030024V	CONT, 1 POLE, 30 AMP, 24 VAC (M3, M4, M5, M6)
81	CAB050400440CT	CAP, 5/40 MFD/440V RD - BPRF (M5, M6)
81	CAB050450440CT	CAP, 5/45 MFD/440V RD - BPRF (M3, M4, M7, M8, M9, M10, M11, M12)
81	CAB050700440CT	CAP, 5/70 MFD/440V RD - BPRF (M13, M14, M15, M16)
81	CAP050300440CS	CAP,5/30MFD/440V/DUAL RD (M1, M2)
91	4400065	CAPACITOR STRAP
NS	0161R00093	NAMEPLATE, DAIKIN

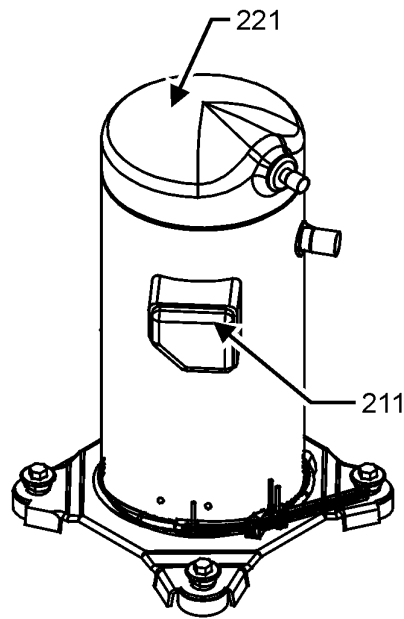
**Expanded Model Nomenclature**

- M1 - DX13SN0181AF
- M2 - DX13SN0181AG
- M3 - DX13SN0241BD
- M4 - DX13SN0241BE
- M5 - DX13SN0301AF
- M6 - DX13SN0301AG
- M7 - DX13SN0361AF
- M8 - DX13SN0361AH
- M9 - DX13SN0421AH
- M10 - DX13SN0421AJ
- M11 - DX13SN0481AF
- M12 - DX13SN0481AG
- M13 - DX13SN0601AF
- M14 - DX13SN0601AG
- M15 - DX13SN0611AD
- M16 - DX13SN0611AE

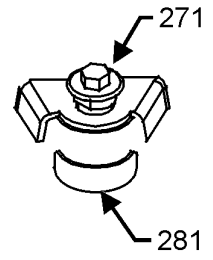
# Compressor and Tubing Assembly



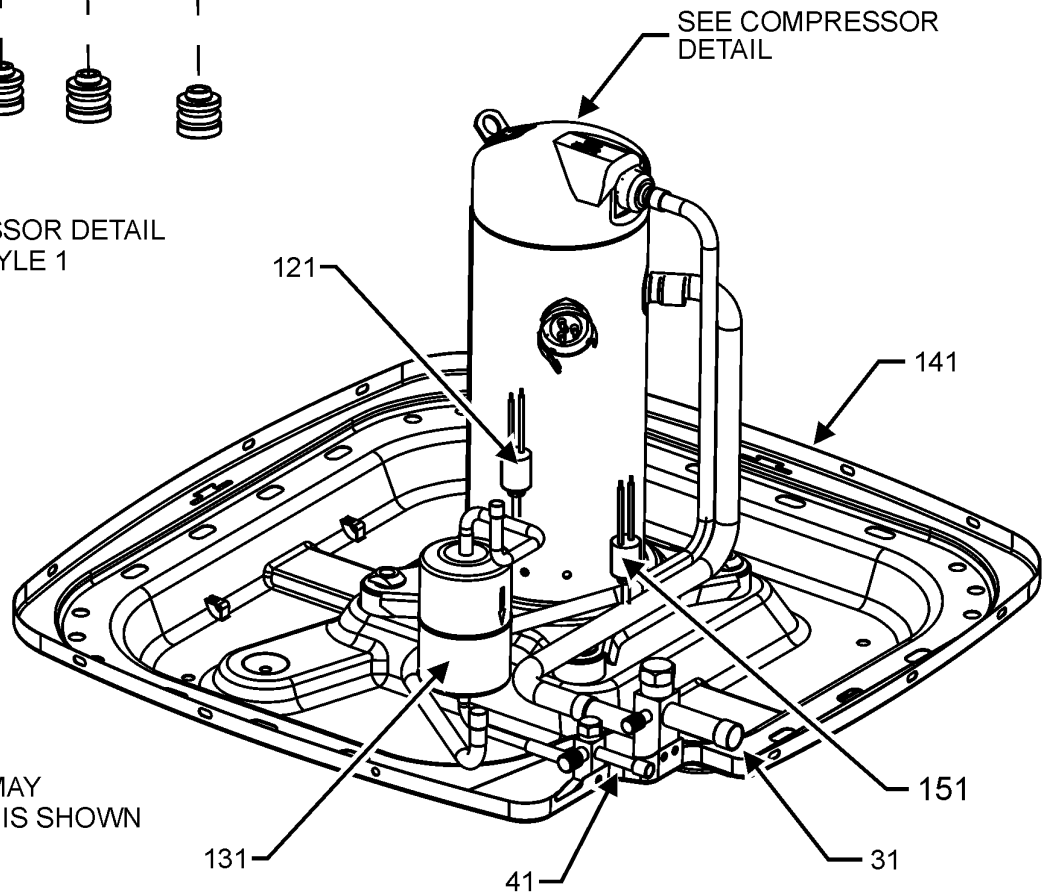
COMPRESSOR DETAIL  
STYLE 1



COMPRESSOR  
DETAIL  
STYLE 2



MOUNTING  
DETAIL



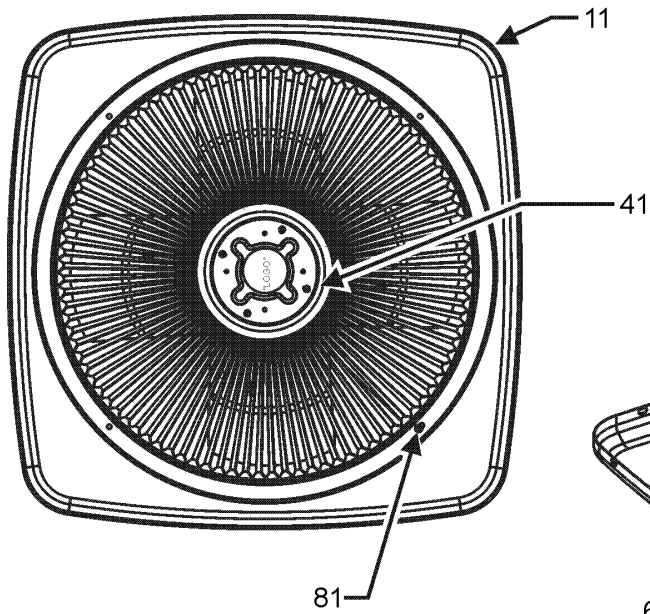
TUBING ASSEMBLY MAY  
DIFFER FROM WHAT IS SHOWN

# Compressor and Tubing Assembly

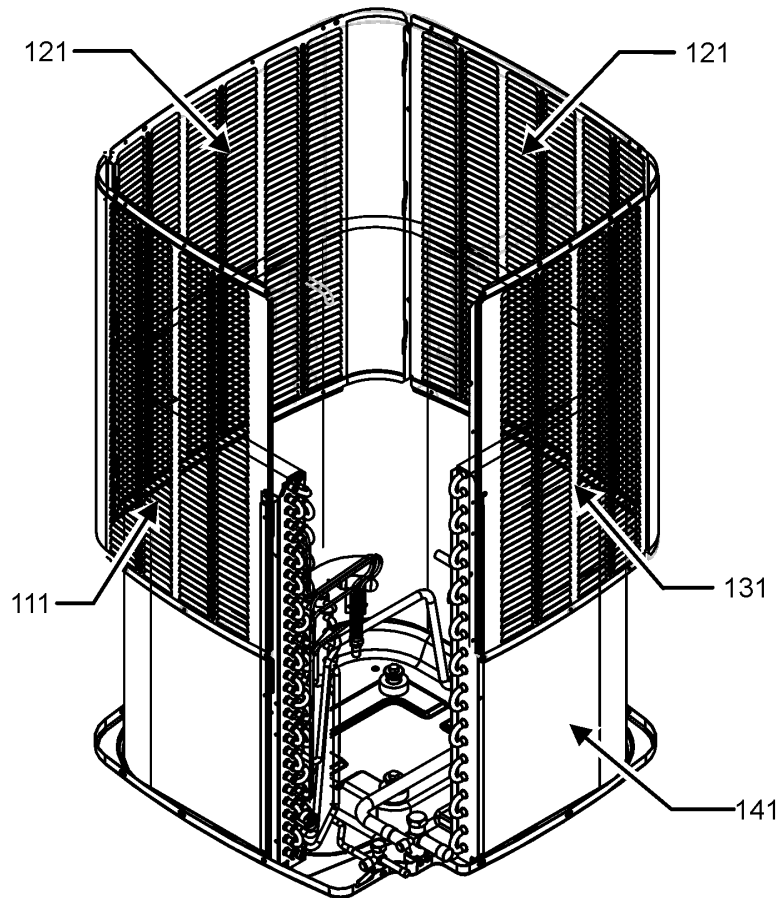
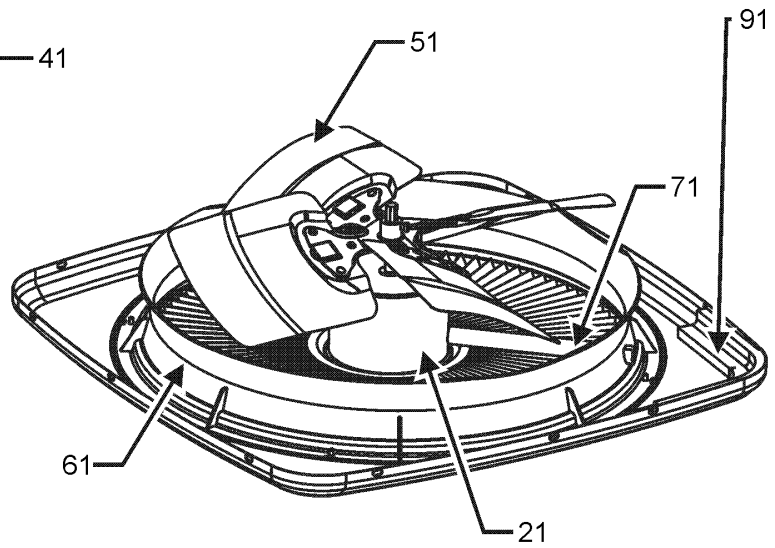
Ref. Part No:	Ref. Part No:	Description:	Description:
<b>Image 1:</b>		<b>Expanded Model Nomenclature</b>	
31	0151R00185	BASE VALVE 3/4" (M1, M2, M3, M4, M5, M6, M7, M8)	M1 - DX13SN0181AF
31	0151R00186	BASE VALVE 7/8" (M9, M10, M11, M12, M13, M14, M15, M16)	M2 - DX13SN0181AG
41	0151R00187	BASE VALVE 3/8"	M3 - DX13SN0241BD
51	50N492ZV-ZAKM	2.0TONRECHI COMPR.4 LEGS (M3, M4)	M4 - DX13SN0241BE
61	60100107	TERMINAL COVER GASKET (M3, M4)	M5 - DX13SN0301AF
71	60100317	TERMINAL COVER (M3, M4)	M6 - DX13SN0301AG
81	60100401	TERMINAL NUT - RECHI COMP (M3, M4)	M7 - DX13SN0361AF
91	60100201	WASHER - RECHI COMPRESSOR (M3, M4)	M8 - DX13SN0361AH
101	60140209	GROMMET - RECHI COMPRESSOR (M3, M4)	M9 - DX13SN0421AH
111	0163M00186	SCREW-SHOULDER TF (M3, M4)	M10 - DX13SN0421AJ
121	0130M00089	SW-CUTOUT HI PRESS (M3, M4)	M11 - DX13SN0481AF
131	0162R00057	FILTER DRIER	M12 - DX13SN0481AG
141	0121R00005PNG	BASE PAN, 26" PNT (M1, M2, M3, M4, M5, M6, M7, M8)	M13 - DX13SN0601AF
141	0121R00006PNG	BASE PAN, 29" PNT (M9, M10, M11, M12, M13, M14)	M14 - DX13SN0601AG
141	0121R00007PNG	BASE PAN, 35.5" PNT (M15, M16)	M15 - DX13SN0611AD
151	0130M00082	LOW PRESSURE SWITCH (M1, M2)	M16 - DX13SN0611AE
211	0159R00019	HARNESS, COMP SCROLL (M7, M8)	
211	0159R00020	HARNESS, COMP SCROLL (M9, M11)	
211	0159R00000P	HARNESS, COMP SCROLL 130 36" (M1, M2, M5, M6)	
211	0159R00001P	HARNESS, COMP SCROLL 130 42" (M10, M12)	
211	0159R00002P	HARNESS, COMP SCROLL 130 46" (M13, M14, M15, M16)	
221	ZP16K5EPFV130	COMP,15500,208/230/60/1 (M1, M2)	
221	ZP24K5EPFV130	COMP,24000,208/230/60/1 (M5, M6)	
221	ZP29K5EPFV130	COMP,29000,208/230/60/1 (M7, M8)	
221	ZP34K5EPFV130	COMP,34500,208/230/60/1 (M9, M10)	
221	ZP39K5EPFV130	COMP,39000,208/230/60/1 (M11, M12)	
221	ZP49K5EPFV130	COMP,49400,208/230/60/1 (M13, M14)	
221	ZP51K5EPFV130	COMP,51000,208/230/60/1 (M15, M16)	
271	M0221641	TF SHOULDER SCREW (M1, M2, M5, M6, M7, M8, M9, M10, M11, M12, M13, M14, M15, M16)	
281	B1339533	COMPRESSOR GROMMET (M1, M2, M5, M6, M7, M8, M9, M10, M11, M12, M13, M14, M15, M16)	

# Cabinet Top and Side Panel Assembly

TOP VIEW



BOTTOM VIEW



LOUVER PANEL ASSEMBLY

# Cabinet Top and Side Panel Assembly

Ref. Part No:	Ref. Part No:	Description:	Description:
<b>Image 1:</b>		<b>Expanded Model Nomenclature</b>	
11	0121R00008PNG	PANEL, TOP 26" PNT (M1, M2, M3, M4, M5, M6, M7, M8)	M1 - DX13SN0181AF M2 - DX13SN0181AG M3 - DX13SN0241BD M4 - DX13SN0241BE M5 - DX13SN0301AF M6 - DX13SN0301AG M7 - DX13SN0361AF M8 - DX13SN0361AH
11	0121R00010PNG	PANEL, TOP 29" PNT (M9, M10, M11, M12, M13, M14)	M9 - DX13SN0421AH M10 - DX13SN0421AJ M11 - DX13SN0481AF M12 - DX13SN0481AG M13 - DX13SN0601AF M14 - DX13SN0601AG M15 - DX13SN0611AD M16 - DX13SN0611AE
11	0121R00269PNG	Top Panel, 35" Pnt (M15, M16)	
21	0131M00811	1/8 HP 8 PL PSC MOTOR (M1)	
21	0131M00813	MOTOR, 1/4HP, 1SP, 6PL (M7, M9, M11, M13)	
21	0131M00968	MOTOR, 1/4HP, 1SP, 8PL, AL (M16)	
21	0131M00807	MOTOR, 1/4HP, 1SP, 8PL, AL (M15)	
21	0131M00800	MOTOR, 1/8HP, 1SP, 6PL, AL (M3, M5)	
21	0131M00967	MOTOR, 1/8HP, 1SP, 6PL, AL (M4, M6)	
21	0131M00969	MOTOR, 1/8HP, 8PL, PSC (M2)	
21	0131M00954	MOTOR, OD, PSC, 1/4HP (M8, M10, M12, M14)	
41	0163M00006P	ACORN NUT 5/16 HEX BLACK (QTY 4)	
51	0150M00041	FAN BLADE (M7)	
51	0150M00067	FAN BLADE (M8)	
51	0150M00018	FAN BLADE 20" (M1, M2, M3, M4, M5, M6)	
51	B1086750	FAN BLADE, 22", 3 BLADE, 24 DEG (M9, M10, M11, M12, M13, M14)	
51	0150M00066	FAN BLADE, 26" (M15, M16)	
61	0161R00007P	RING, VENTURI 35" (M15, M16)	
61	0161L00000	RING-VENTURI 22 (M9, M10, M11, M12, M13, M14)	
71	0161R00001P	CONDUIT (M1, M2, M3, M4, M5, M6, M7, M8)	
71	0161R00002P	CONDUIT (M9, M10, M11, M12, M13, M14)	
71	0161R00004P	CONDUIT (M15, M16)	
81	0163M00003P	SCREW, #10 X 1/2, A, SLOT, SR, BLK	
91	0154R00045	GASKET, CONTROL PANEL	
111	0121R00202PNG	PANEL 1, BENT LOUVER PNT (M9, M10, M11, M12)	
111	0121R00203PNG	PANEL 1, BENT LOUVER PNT (M13, M14)	
111	0121R00207PNG	PANEL 1, BENT LOUVER PNT (M1, M2, M3, M4, M5, M6, M7, M8)	
111	0121R00239PNG	PANEL 1, LOUVER 35, 5MM, PNT (M15, M16)	
121	0121R00198PNG	Panel 2 bent (M1, M2, M3, M4, M5, M6, M7, M8)	
121	0121R00205PNG	Panel 2, Bent Louver (M9, M10, M11, M12)	
121	0121R00206PNG	Panel 2, Bent Louver (M13, M14)	
121	0121R00243PNG	PANEL 2, LOUVER 35, 5MM, PNT (M15, M16)	
131	0121R00194PNG	LOUVER, SIDE PANEL (M9, M10, M11, M12)	
131	0121R00195PNG	LOUVER, SIDE PANEL (M13, M14)	
131	0121R00196PNG	LOUVER, SIDE PANEL (M1, M2, M3, M4, M5, M6, M7, M8)	
131	0121R00247PNG	PANEL 3, LOUVER 35, 5MM, PNT (M15, M16)	
141	0201R00349	COIL TUBING ASSY (M13, M14)	
141	0201R00385	COIL TUBING ASSY (M15, M16)	
141	0201R00458	COIL TUBING ASSY (M5, M6, M7, M8)	
141	0201R00472	COIL TUBING ASSY (M9, M10, M11, M12)	
141	0201R00510	COIL TUBING ASSY (M1, M2, M3, M4)	
NS	B1789851	FLOW CHECK PISTON KIT (M1, M2)	
NS	B1789855	FLOW CHECK PISTON KIT (M3, M4)	
NS	B1789861	FLOW CHECK PISTON KIT (M5, M6)	
NS	B1789870	FLOW CHECK PISTON KIT (M7, M8)	
NS	B1789876	FLOW CHECK PISTON KIT (M9, M10)	
NS	B1789880	FLOW CHECK PISTON KIT (M11, M12)	
NS	B1789886	FLOW CHECK PISTON KIT (M13, M14, M15, M16)	
NS	0163M00005P	WASHER, BLACK (.50 OD .218ID) (QTY 4)	