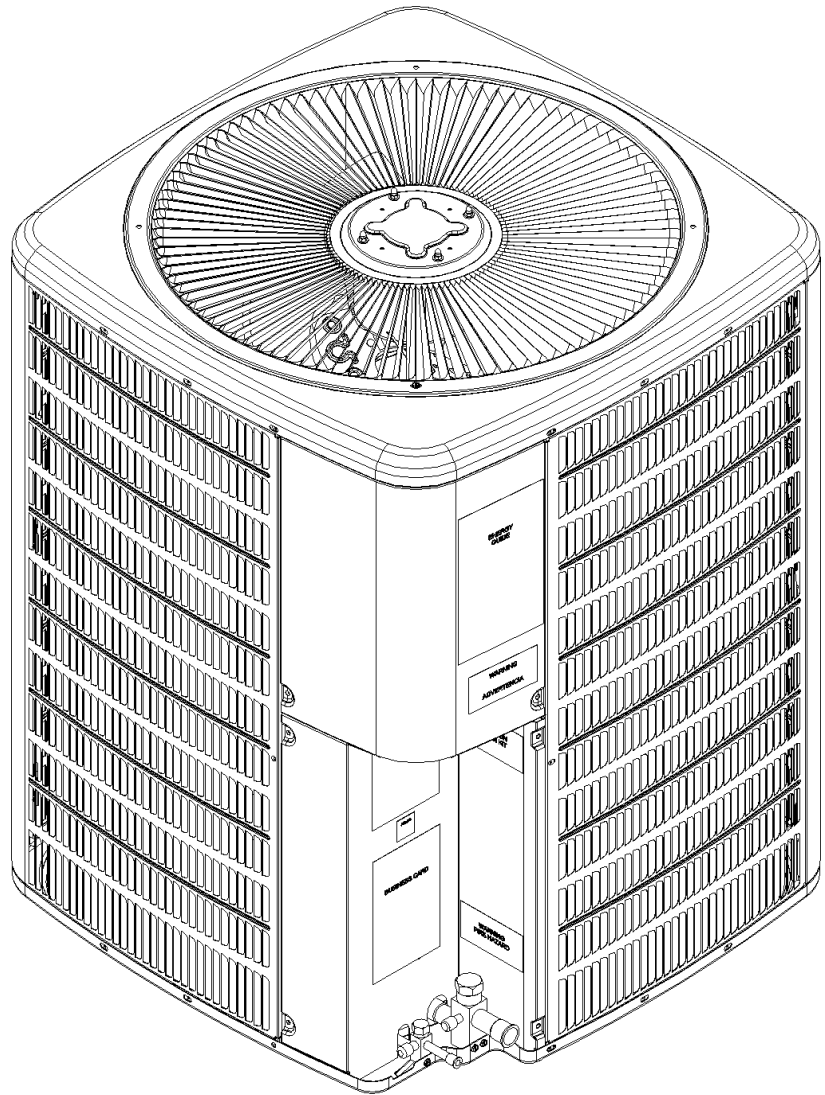


DX13SN Air Conditioner

DX13SN0181AA
DX13SN0181AB
DX13SN0181AC
DX13SN0241AA
DX13SN0241AB
DX13SN0241AC
DX13SN0301AA
DX13SN0301AB
DX13SN0361AA
DX13SN0361AB
DX13SN0361AC
DX13SN0421AA
DX13SN0421AB
DX13SN0421AC
DX13SN0481AA
DX13SN0481AB
DX13SN0481AC
DX13SN0601AA
DX13SN0601AB
DX13SN0601AC
DX13SN0611AA
DX13SN0611AB



This manual is to be used by qualified technicians only.

This manual replaces RP-D4004C.

Important Information

Index

Functional Parts List	3
Illustration and Parts	4 - 9

Views shown are for parts illustrations only, not servicing procedures

Text Codes:

AR - As Required

NA - Not Available

NS - Not Shown

00000000 - See Note

QTY - Quantity Example (QTY 3) (If Quantity not shown, Quantity = 1)

M - Model Example (M1) (If M Code not shown, then part is used on all Models)

Expanded Model Nomenclature:

Example M1 - Model#1 M2 - Model#2 M3 - Model#3

Daikin Company, L.P. is not responsible for personal injury or property damage resulting from improper service. Review all service information before beginning repairs.

Warranty service must be performed by an authorized technician, using authorized factory parts. If service is required after the warranty expires, Daikin Company, L.P. also recommends contacting an authorized technician and using authorized factory parts.

Daikin Company, L.P. reserves the right to discontinue, or change at any time, specifications or designs without notice or without incurring obligations.

For assistance within the U.S.A. contact:

Homeowner Support
Daikin North America, LLC
19001 Kermier Road
Waller, Texas 77484
855-770-5678-Telephone
713-863-2382-Facsimile

For assistance outside the U.S.A. contact:

International Division
Daikin North America, LLC
19001 Kermier Road
Waller, Texas 77484
713-861-2500-Telephone
713-863-2382-Facsimile

Functional Parts

Part

No: **Description:**

0151R00079	BASE VALVE 3/4" (M1, M2, M3, M4, M5, M6, M7, M8, M9, M10, M11)
0151R00078	BASE VALVE 3/8"
0151R00080	BASE VALVE 7/8" (M12, M13, M14, M15, M16, M17, M18, M19, M20, M21, M22)
CAP050300440CS	CAP,5/30MFD/440V/DUAL RD (M1, M2, M3)
CAP050350440CS	CAPACITOR 5/35/440V (M4, M5, M6)
CAP050400440CT	CAPACITOR 5/40/440V/DUAL RD (M7, M8)
CAP050450440CT	CAPACITOR 5/45/440V/DUAL RD (M9, M10, M11, M12, M13, M14, M15, M16, M17)
CAP050700440CT	CAPACITOR 5/70/440V/DUAL RD (M18, M19, M20, M21, M22)
ZP24K5EPFV130	COMP,24000,208/230/60/1 (M7, M8)
ZP29K5EPFV130	COMP,29000,208/230/60/1 (M9, M10, M11)
ZP49K5EPFV130	COMP,49400,208/230/60/1 (M18, M19, M20)
ZP16K5EPFV130	COMPRESSOR 15500, 208/230/60/1 (M1, M2, M3)
ZP20K5EPFV130	COMPRESSOR 20000, 208/230/60/1 (M4, M5, M6)
ZP34K5EPFV130	COMPRESSOR 34500, 208/230/60/1 (M12, M13, M14)
ZP39K5EPFV130	COMPRESSOR 39000, 208/230/60/1 (M15, M16, M17)
ZP51K5EPFV130	COMPRESSOR 51000, 208/230/60/1 (M21, M22)
0131M00018P	COND MOTOR 1/4 HP, 1 SP, 6 PL (M9, M10, M11, M12, M13, M14, M15, M16, M17, M18, M19, M20)
0131M00061	COND MOTOR 1/4 HP, 1 SP, 8 PL (M21, M22)
0131M00266	COND MOTOR 1/8 HP, 8 PL, PSC (M1, M2, M3, M4, M5, M6)
0131M00294	COND MOTOR, 1/8HP, ISP, 6PL (M7, M8)
CONT1P025024V	CONTACTOR 25 AMP, 1P, 24V (M1, M2, M3, M4, M5, M6, M7, M8, M9, M10, M11, M12, M13, M14)
CONT1P030024V	CONTACTOR 30 AMP, 1P, 24V (M15, M16, M17, M18, M19, M20, M21, M22)
0150M00041	FAN BLADE (M9, M10, M11)
0150M00018	FAN BLADE 20" (M1, M2, M3, M4, M5, M6, M7, M8)
B1086750	FAN BLADE 22", 3 BLADE, 24° (M12, M13, M14, M15, M16, M17, M18, M19, M20)
10625738	FAN BLADE 26" ALUM CCW (M21, M22)
0130M00082	LOW PRESSURE SWITCH (M1, M2, M3, M4, M5, M6)

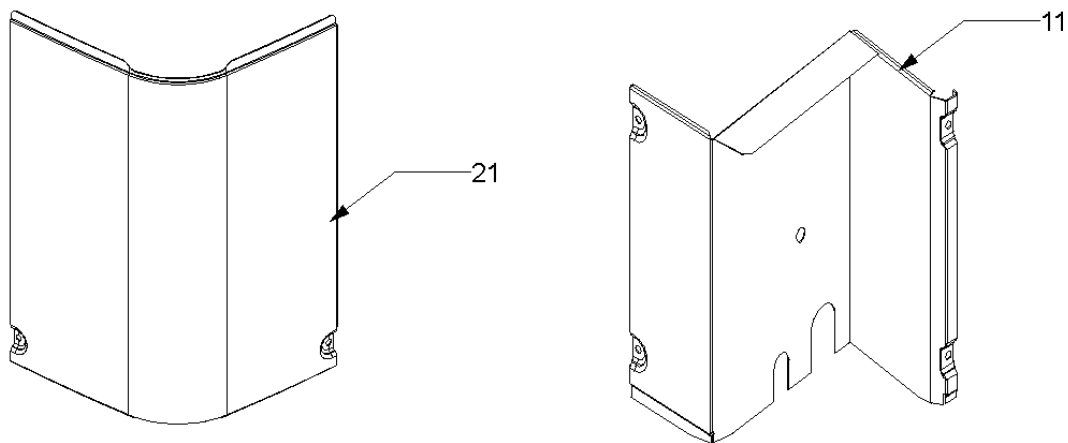
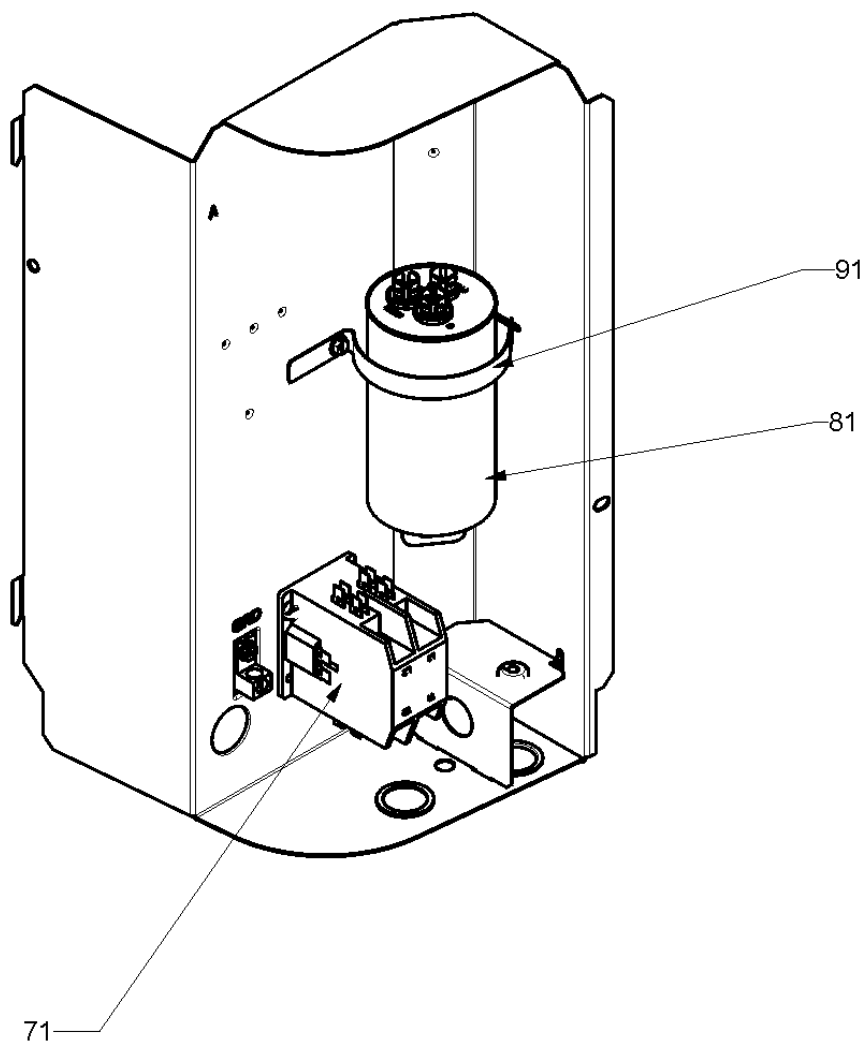
Expanded Model Nomenclature

M1 - DX13SN0181AA
M2 - DX13SN0181AB
M3 - DX13SN0181AC
M4 - DX13SN0241AA
M5 - DX13SN0241AB
M6 - DX13SN0241AC
M7 - DX13SN0301AA
M8 - DX13SN0301AB
M9 - DX13SN0361AA
M10 - DX13SN0361AB
M11 - DX13SN0361AC
M12 - DX13SN0421AA
M13 - DX13SN0421AB
M14 - DX13SN0421AC
M15 - DX13SN0481AA
M16 - DX13SN0481AB
M17 - DX13SN0481AC
M18 - DX13SN0601AA
M19 - DX13SN0601AB
M20 - DX13SN0601AC
M21 - DX13SN0611AA
M22 - DX13SN0611AB

SPECIAL PARTS

0161R00036	NAMEPLATE, DAIKIN
------------	-------------------

Control Cover / Control Box



Control Cover / Control Box

Ref. Part No: No:	Description:	Ref. Part No: No:	Description:
-------------------	--------------	-------------------	--------------

Image 1:

11	0121R00316PNG	PANEL, LOWER ACCESS PNT (M18, M19, M20)
11	0121R00319PNG	PANEL, LOWER ACCESS PNT (M12, M13, M14, M15, M16, M17, M21, M22)
11	0121R00326PNG	PANEL, LOWER ACCESS PNT (M1, M2, M3, M4, M5, M6, M7, M8, M9, M10, M11)
21	0121R00053PNG	CONTROL COVER, SMALL PNT
71	CONT1P025024V	CONTACTOR 25 AMP, 1P, 24V (M1, M2, M3, M4, M5, M6, M7, M8, M9, M10, M11, M12, M13, M14)
71	CONT1P030024V	CONTACTOR 30 AMP, 1P, 24V (M15, M16, M17, M18, M19, M20, M21, M22)
81	CAP050300440CS	CAP,5/30MFD/440V/DUAL RD (M1, M2, M3)
81	CAP050350440CS	CAPACITOR 5/35/440V (M4, M5, M6)
81	CAP050400440CT	CAPACITOR 5/40/440V/DUAL RD (M7, M8)
81	CAP050450440CT	CAPACITOR 5/45/440V/DUAL RD (M9, M10, M11, M12, M13, M14, M15, M16, M17)
81	CAP050700440CT	CAPACITOR 5/70/440V/DUAL RD (M18, M19, M20, M21, M22)
91	4400065	CAPACITOR STRAP
NS	0161R00036	NAMEPLATE, DAIKIN

Expanded Model Nomenclature

- M1 - DX13SN0181AA
- M2 - DX13SN0181AB
- M3 - DX13SN0181AC
- M4 - DX13SN0241AA
- M5 - DX13SN0241AB
- M6 - DX13SN0241AC
- M7 - DX13SN0301AA
- M8 - DX13SN0301AB
- M9 - DX13SN0361AA
- M10 - DX13SN0361AB
- M11 - DX13SN0361AC
- M12 - DX13SN0421AA
- M13 - DX13SN0421AB
- M14 - DX13SN0421AC
- M15 - DX13SN0481AA
- M16 - DX13SN0481AB
- M17 - DX13SN0481AC
- M18 - DX13SN0601AA
- M19 - DX13SN0601AB
- M20 - DX13SN0601AC
- M21 - DX13SN0611AA
- M22 - DX13SN0611AB

Compressor Tubing Assembly / Condenser

IMAGE 1

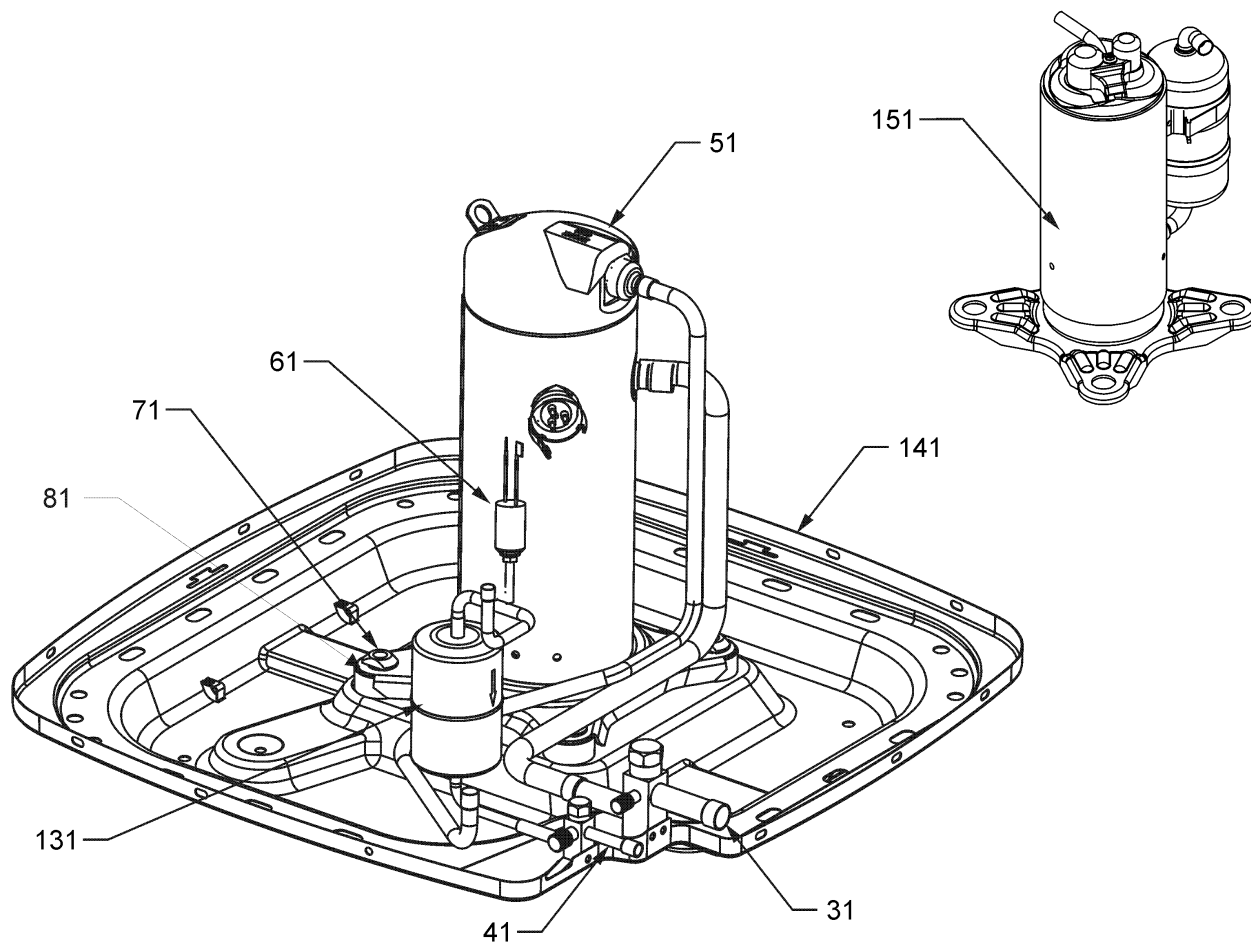
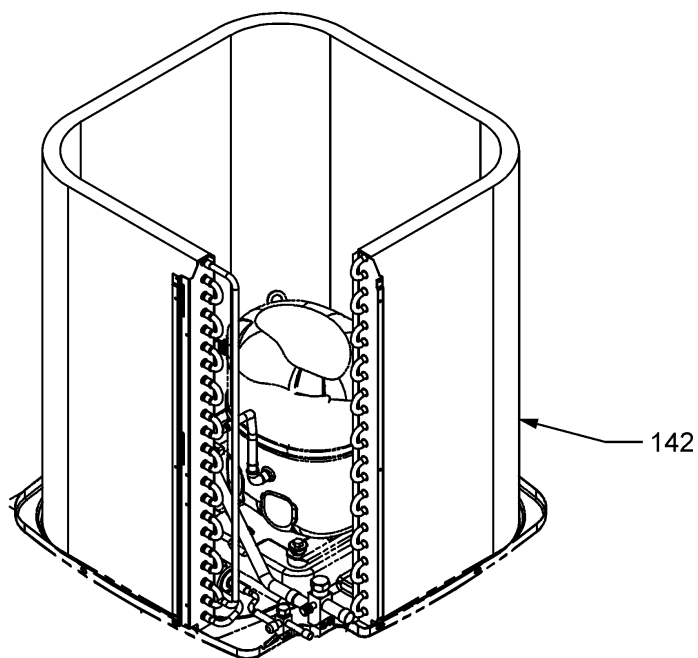


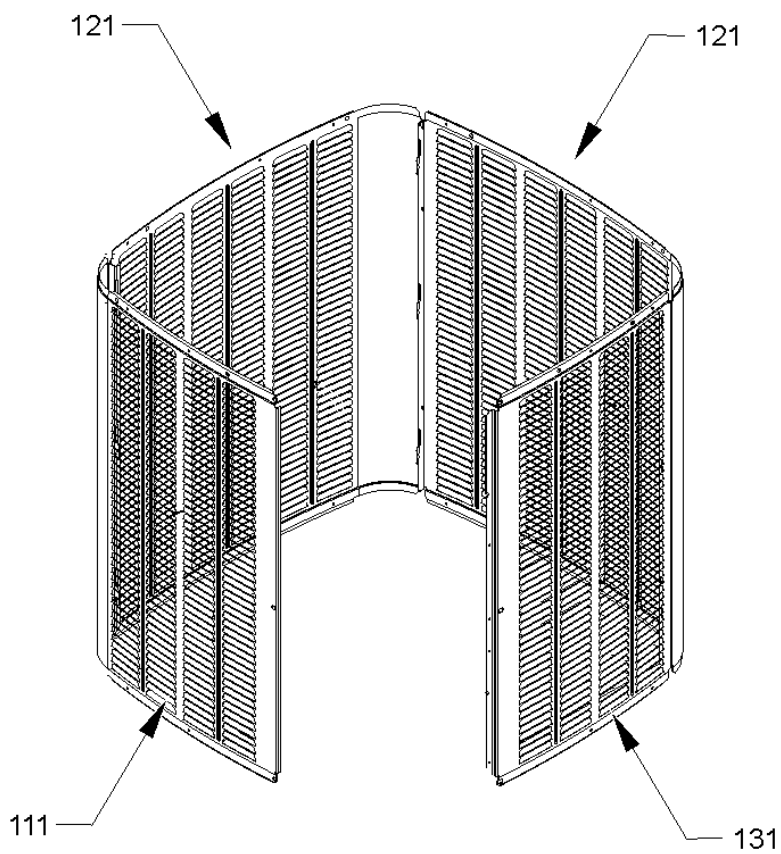
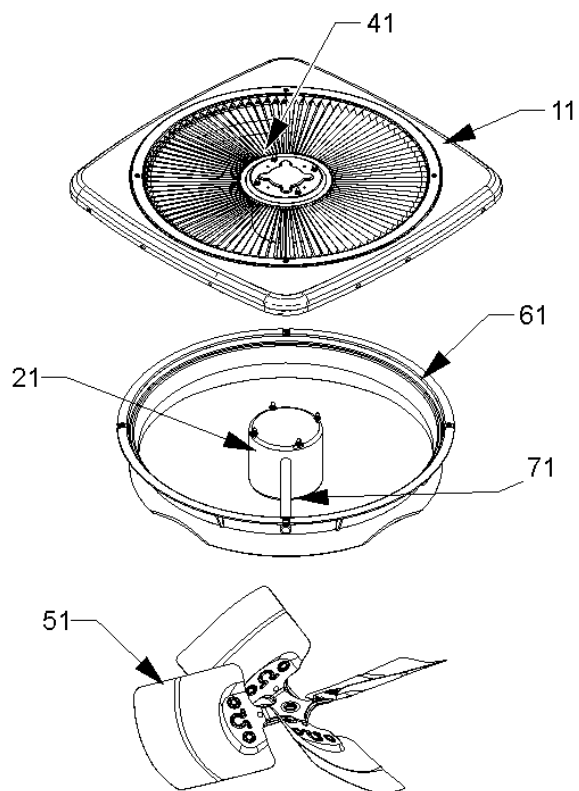
IMAGE 2



Compressor Tubing Assembly / Condenser

Ref. Part No:	Description:	Ref. Part No:	Description:
Image 1:		Expanded Model Nomenclature	
31	0151R00079	BASE VALVE 3/4" (M1, M2, M3, M4, M5, M6, M7, M8, M9, M10, M11)	M1 - DX13SN0181AA
31	0151R00080	BASE VALVE 7/8" (M12, M13, M14, M15, M16, M17, M18, M19, M20, M21, M22)	M2 - DX13SN0181AB
41	0151R00078	BASE VALVE 3/8"	M3 - DX13SN0181AC
51	ZP24K5EPFV130	COMP,24000,208/230/60/1 (M7, M8)	M4 - DX13SN0241AA
51	ZP29K5EPFV130	COMP,29000,208/230/60/1 (M9, M10, M11)	M5 - DX13SN0241AB
51	ZP49K5EPFV130	COMP,49400,208/230/60/1 (M18, M19, M20)	M6 - DX13SN0241AC
51	ZP16K5EPFV130	COMPRESSOR 15500, 208/230/60/1 (M1, M2, M3)	M7 - DX13SN0301AA
51	ZP20K5EPFV130	COMPRESSOR 20000, 208/230/60/1 (M4, M5, M6)	M8 - DX13SN0301AB
51	ZP34K5EPFV130	COMPRESSOR 34500, 208/230/60/1 (M12, M13, M14)	M9 - DX13SN0361AA
51	ZP39K5EPFV130	COMPRESSOR 39000, 208/230/60/1 (M15, M16, M17)	M10 - DX13SN0361AB
51	ZP51K5EPFV130	COMPRESSOR 51000, 208/230/60/1 (M21, M22)	M11 - DX13SN0361AC
61	0130M00082	LOW PRESSURE SWITCH (M1, M2, M3, M4, M5, M6)	M12 - DX13SN0421AA
71	M0221641	TF SHOULDER SCREW (QTY 4)	M13 - DX13SN0421AB
81	B1339533	COMPRESSOR GROMMET (QTY 4)	M14 - DX13SN0421AC
131	0162R00009	FILTER DRIER	M15 - DX13SN0481AA
141	0121R00005PNG	BASE PAN, 26" PNT (M1, M2, M3, M4, M5, M6, M7, M8, M9, M10, M11)	M16 - DX13SN0481AB
141	0121R00006PNG	BASE PAN, 29" PNT (M12, M13, M14, M15, M16, M17, M18, M19, M20)	M17 - DX13SN0481AC
141	0121R00007PNG	BASE PAN, 35.5" PNT (M21, M22)	M18 - DX13SN0601AA
NS	0159R00000P	COMPRESSOR SCROLL HARNESS (M1, M2, M3, M4, M5, M6, M7, M8, M9, M10, M11)	M19 - DX13SN0601AB
NS	0159R00001P	COMPRESSOR SCROLL HARNESS (M12, M13, M14, M15, M16, M17)	M20 - DX13SN0601AC
NS	0159R00002P	COMPRESSOR SCROLL HARNESS (M18, M19, M20, M21, M22)	M21 - DX13SN0611AA
			M22 - DX13SN0611AB
Image 2:			
142	0201R00268	COIL TUBING ASSY (M1, M4)	
142	0201R00311	COIL TUBING ASSY (M21)	
142	0201R00349	COIL TUBING ASSY (M19, M20)	
142	0201R00385	COIL TUBING ASSY (M22)	
142	0201R00458	COIL TUBING ASSY (M8, M10, M11)	
142	0201R00463	COIL TUBING ASSY (M18)	
142	0201R00472	COIL TUBING ASSY (M13, M14, M16, M17)	
142	0201R00492	COIL TUBING ASSY (M7, M9)	
142	0201R00510	COIL TUBING ASSY (M2, M3, M5, M6)	
142	0201R00274	TUBING ASSY, COND COIL (M12, M15)	
NS	B1789886	FLOW CHECK PISTON KIT (M18, M19, M20, M21, M22)	
NS	B1789851	FLOW CHECK PISTON KIT .051 (M1, M2, M3)	
NS	B1789857	FLOW CHECK PISTON KIT .057 (M4, M5, M6)	
NS	B1789861	FLOW CHECK PISTON KIT .061 (M7, M8)	
NS	B1789870	FLOW CHECK PISTON KIT .070 (M9, M10, M11)	
NS	B1789876	FLOW CHECK PISTON KIT .076 (M12, M13, M14)	
NS	B1789880	FLOW CHECK PISTON KIT .080 (M15, M16, M17)	

Cabinet Top / Side Panels



Cabinet Top / Side Panels

**Ref. Part
No: No:**

Description:

**Ref. Part
No: No:**

Description:

Image 1:

11	0121R00008PNG	PANEL, TOP 26" PNT (M1, M2, M3, M4, M5, M6, M7, M8, M9, M10, M11)
11	0121R00010PNG	PANEL, TOP 29" PNT (M12, M13, M14, M15, M16, M17, M18, M19, M20)
11	0121R00269PNG	PANEL, TOP 35" PNT (M21, M22)
21	0131M00018P	COND MOTOR 1/4 HP, 1 SP, 6 PL (M9, M10, M11, M12, M13, M14, M15, M16, M17, M18, M19, M20)
21	0131M00061	COND MOTOR 1/4 HP, 1 SP, 8 PL (M21, M22)
21	0131M00266	COND MOTOR 1/8 HP, 8 PL, PSC (M1, M2, M3, M4, M5, M6)
21	0131M00294	COND MOTOR, 1/8HP, ISP, 6PL (M7, M8)
41	0163M00006P	ACORN NUT 5/16 HEX BLACK (QTY 4)
51	0150M00041	FAN BLADE (M9, M10, M11)
51	0150M00018	FAN BLADE 20" (M1, M2, M3, M4, M5, M6, M7, M8)
51	B1086750	FAN BLADE 22", 3 BLADE, 24° (M12, M13, M14, M15, M16, M17, M18, M19, M20)
51	10625738	FAN BLADE 26" ALUM CCW (M21, M22)
61	0161L00000	VENTURI RING 22" (M12, M13, M14, M15, M16, M17, M18, M19, M20)
61	0161R00007P	VENTURI RING 35" (M21, M22)
71	0161R00001P	CONDUIT (M1, M2, M3, M4, M5, M6, M7, M8, M9, M10, M11)
71	0161R00002P	CONDUIT (M12, M13, M14, M15, M16, M17, M18, M19, M20)
71	0161R00004P	CONDUIT (M21, M22)
111	0121R00202PNGB	PANEL 1, BENT LOUVER PNT (M12, M13, M14, M15, M16, M17)
111	0121R00203PNGB	PANEL 1, BENT LOUVER PNT (M18, M19, M20)
111	0121R00207PNGB	PANEL 1, BENT LOUVER PNT (M1, M2, M3, M4, M5, M6, M7, M8, M9, M10, M11)
111	0121R00239PNGB	PANEL 1, BENT LOUVER PNT (M21, M22)
121	0121R00198PNGB	Panel 2, Bent Louver (M1, M2, M3, M4, M5, M6, M7, M8, M9, M10, M11)
121	0121R00205PNGB	Panel 2, Bent Louver (M12, M13, M14, M15, M16, M17)
121	0121R00206PNGB	Panel 2, Bent Louver (M18, M19, M20)
121	0121R00243PNGB	Panel 2, Bent Louver (M21, M22)
131	0121R00194PNG	LOUVER, SIDE PANEL (M12, M13, M14, M15, M16, M17)
131	0121R00195PNG	LOUVER, SIDE PANEL (M18, M19, M20)
131	0121R00196PNG	LOUVER, SIDE PANEL (M1, M2, M3, M4, M5, M6, M7, M8, M9, M10, M11)
131	0121R00247PNG	LOUVER, SIDE PANEL (M21, M22)

Expanded Model Nomenclature

M1 - DX13SN0181AA
M2 - DX13SN0181AB
M3 - DX13SN0181AC
M4 - DX13SN0241AA
M5 - DX13SN0241AB
M6 - DX13SN0241AC
M7 - DX13SN0301AA
M8 - DX13SN0301AB
M9 - DX13SN0361AA
M10 - DX13SN0361AB
M11 - DX13SN0361AC
M12 - DX13SN0421AA
M13 - DX13SN0421AB
M14 - DX13SN0421AC
M15 - DX13SN0481AA
M16 - DX13SN0481AB
M17 - DX13SN0481AC
M18 - DX13SN0601AA
M19 - DX13SN0601AB
M20 - DX13SN0601AC
M21 - DX13SN0611AA
M22 - DX13SN0611AB