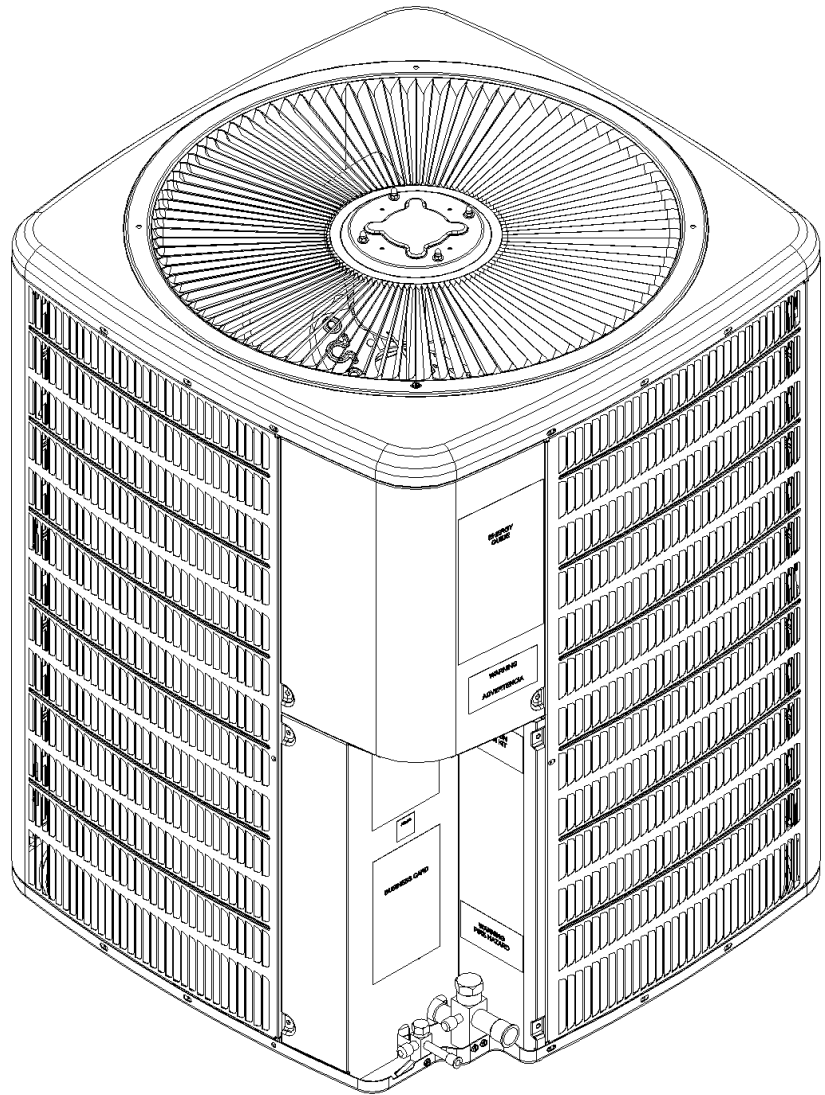


## DX13SN Remote Condensing Unit

DX13SN0241BA

DX13SN0241BB



This manual is to be used by qualified technicians only.

This manual replaces RP-D4040.

© 2016 **DAIKIN MANUFACTURING COMPANY, L.P.** ♦ 5151 San Felipe St., Suite 500 ♦ Houston, TX 77056

# Important Information

---

## Index

Functional Parts List .....	3
Illustration and Parts .....	4 - 9

*Views shown are for parts illustrations only, not servicing procedures*

### Text Codes:

AR - As Required

NA - Not Available

NS - Not Shown

00000000 - See Note

QTY - Quantity Example (QTY 3) (If Quantity not shown, Quantity = 1)

M - Model Example (M1) (If M Code not shown, then part is used on all Models)

### Expanded Model Nomenclature:

Example M1 - Model#1 M2 - Model#2 M3 - Model#3
---

Daikin Manufacturing Company, L.P. is not responsible for personal injury or property damage resulting from improper service. Review all service information before beginning repairs.

Warranty service must be performed by an authorized technician, using authorized factory parts. If service is required after the warranty expires, Daikin Manufacturing Company, L.P. also recommends contacting an authorized technician and using authorized factory parts.

Daikin Manufacturing Company, L.P. reserves the right to discontinue, or change at any time, specifications or designs without notice or without incurring obligations.

For assistance within the U.S.A. contact:

Homeowner Support  
Daikin North America, LLC  
19001 Kermier Road  
Waller, Texas 77484  
855-770-5678-Telephone  
713-863-2382-Facsimile

For assistance outside the U.S.A. contact:

International Division  
Daikin North America, LLC  
19001 Kermier Road  
Waller, Texas 77484  
713-861-2500-Telephone  
713-863-2382-Facsimile

# Functional Parts

## Part

**No:**            **Description:**

---

50N492ZV-ZAKM	2.0TONRECHI COMPR.4 LEGS
B12825171	3/8" SERVICE VALVE
CAP050450440CT	CAPACITOR 5/45/440V/DUAL RD
0131M00294	COND MOTOR, 1/8HP, ISP, 6PL (M1)
CONT1P025024V	CONTACTOR 25 AMP, 1P, 24V
0130M00089	CUT-OUT SWITCH, HIGH PRESSURE
0150M00018	FAN BLADE 20"
0151R00032	VALVE, BASE 3/4" OPEN LEFT

## SPECIAL PARTS

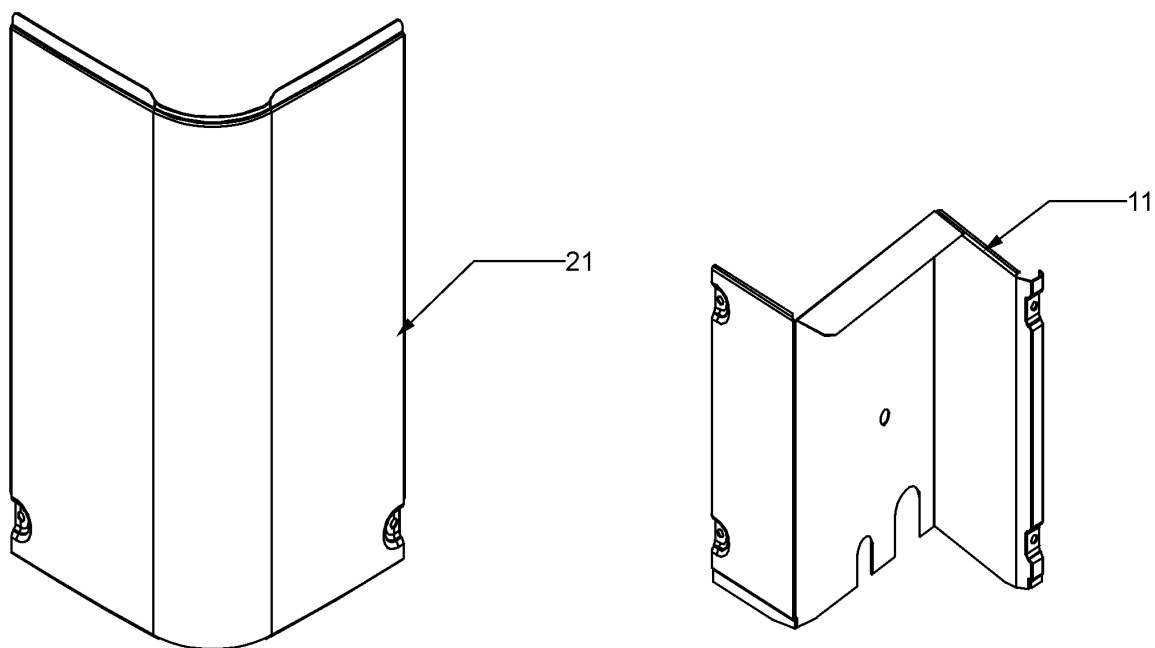
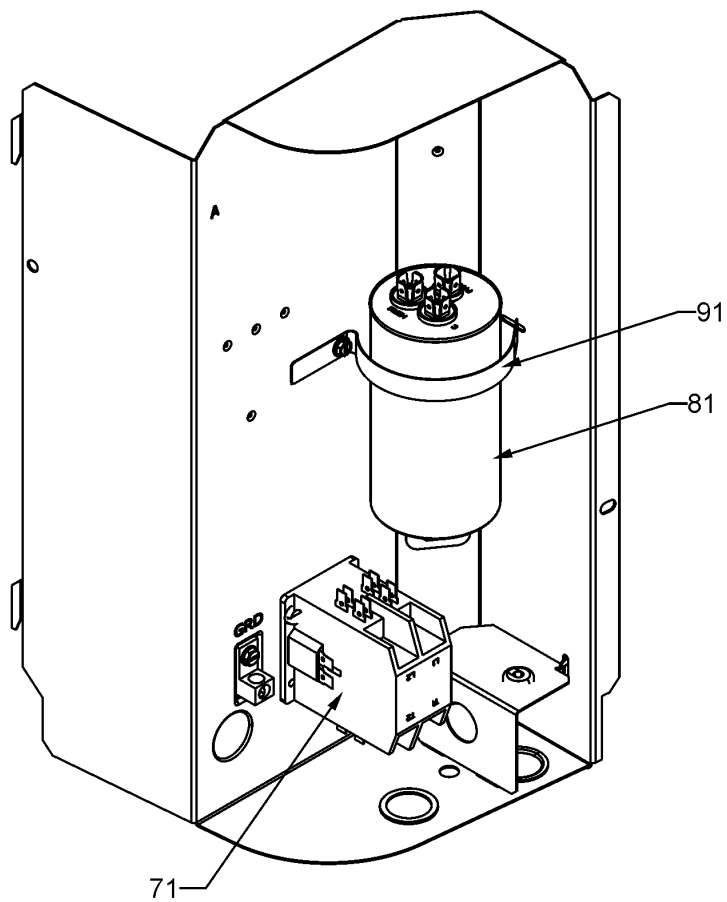
0161R00036      NAMEPLATE, DAIKIN

## Expanded Model Nomenclature

M1 - DX13SN0241BA

M2 - DX13SN0241BB

# Control Box Assy



# Control Box Assy

Ref. Part No: No:	Description:	Ref. Part No: No:	Description:
-------------------	--------------	-------------------	--------------

---

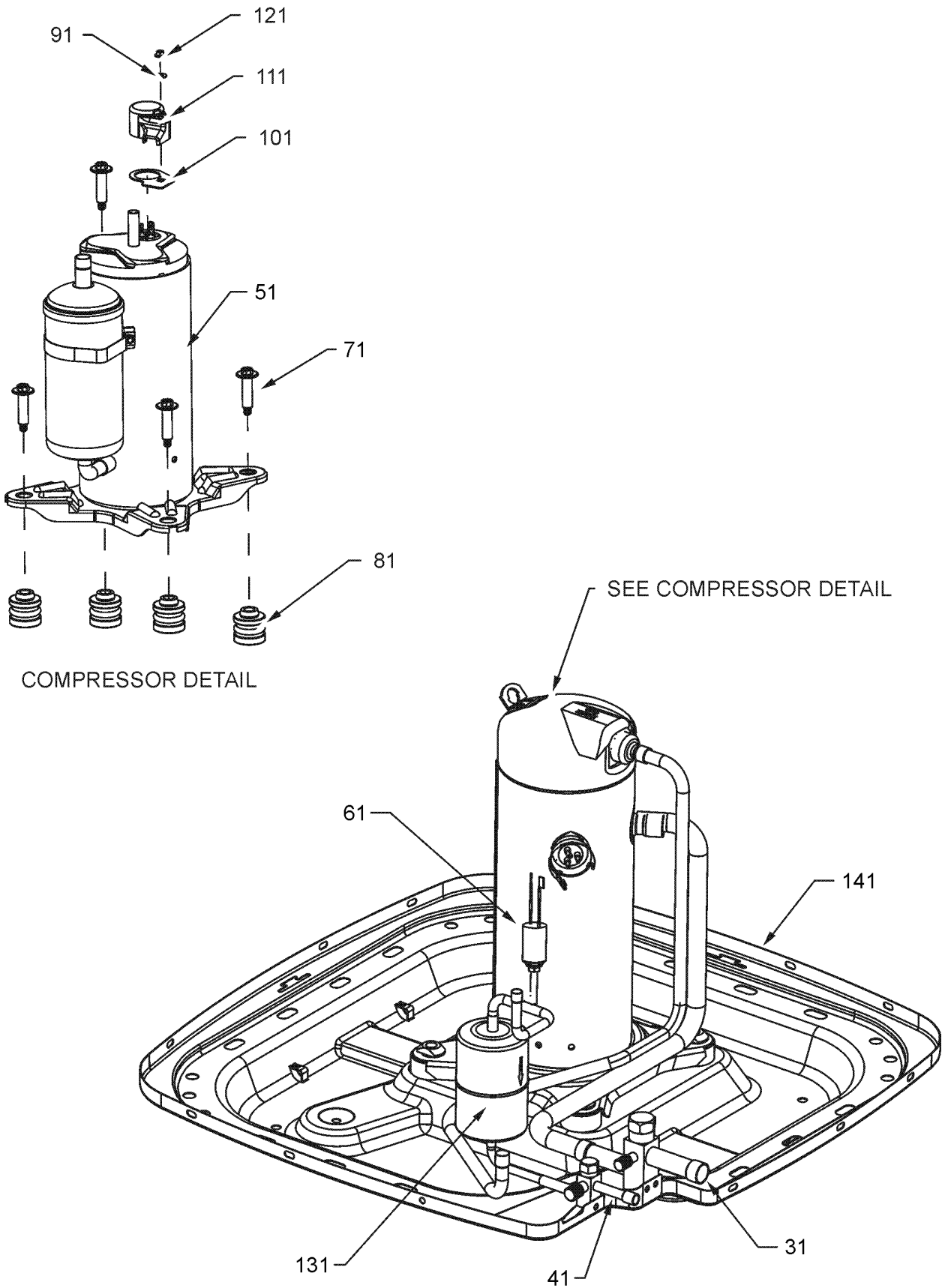
**Image 1:**

11	0121R00326PNG	PANEL, LOWER ACCESS PNT
21	0121R00053PNG	CONTROL COVER, SMALL PNT
71	CONT1P025024V	CONTACTOR 25 AMP, 1P, 24V
81	CAP050450440CT	CAPACITOR 5/45/440V/DUAL RD
91	4400065	CAPACITOR STRAP
NS	0161R00036	NAMEPLATE, DAIKIN

**Expanded Model Nomenclature**

M1 - DX13SN0241BA
M2 - DX13SN0241BB

# Compressor & Tubing Assy



# Compressor & Tubing Assy

Ref. Part No: No:	Description:	Ref. Part No: No:	Description:
-------------------	--------------	-------------------	--------------

---

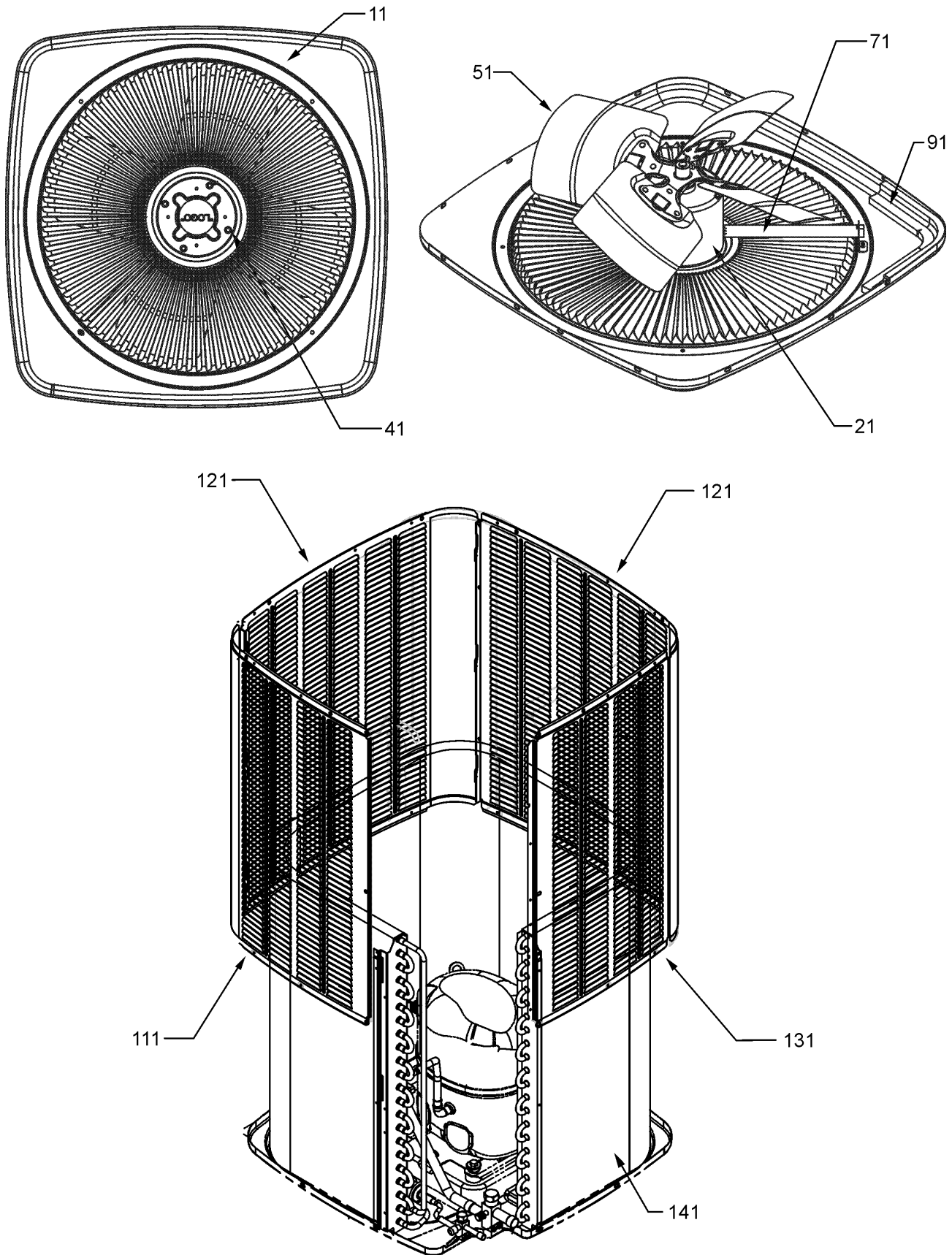
**Image 1:**

31	0151R00032	VALVE, BASE 3/4" OPEN LEFT
41	B12825171	3/8" SERVICE VALVE
51	50N492ZV-ZAKM	2.0TONRECHI COMPR.4 LEGS
61	0130M00089	CUT-OUT SWITCH, HIGH PRESSURE
71	0163M00186	SCREW-SHOULDER TF (QTY 4)
81	60140209	GROMMET - RECHI COMPRESSOR (QTY 4)
91	60100201	WASHER - RECHI COMPRESSOR
101	60100107	TERMINAL COVER GASKET
111	60100317	TERMINAL COVER
121	60100401	TERMINAL NUT - RECHI COMP
131	0162R00009	FILTER DRIER
141	0121R00005PNG	BASE PAN, 26" PNT

**Expanded Model Nomenclature**

M1 - DX13SN0241BA
M2 - DX13SN0241BB

# Top & Side Panel Assy



# Top & Side Panel Assy

Ref. Part No:	No:	Description:	Ref. Part No:	No:	Description:
---------------	-----	--------------	---------------	-----	--------------

---

**Image 1:**

11	0121R00008PNG	PANEL, TOP 26" PNT
21	0131M00294	COND MOTOR, 1/8HP, ISP, 6PL (M1)
21	0131M00800	MOTOR, 1/8HP, 1SP, 6PL, AL (M2)
41	0163M00006P	ACORN NUT 5/16 HEX BLACK (QTY 4)
51	0150M00018	FAN BLADE 20"
71	0161R00001P	CONDUIT
91	0154R00006	GASKET, CONTROL PANEL
111	0121R00207PNGB	PANEL 1, BENT LOUVER PNT
121	0121R00198PNGB	Panel 2, Bent Louver (QTY 2)
131	0121R00196PNG	LOUVER, SIDE PANEL
141	0201R00510	COIL TUBING ASSY
NS	B1789855	FLOW CHECK PISTON KIT .055
NS	0163M00005P	WASHER, BLACK (.50 OD .218ID) (QTY 4)

**Expanded Model Nomenclature**

M1 - DX13SN0241BA

M2 - DX13SN0241BB