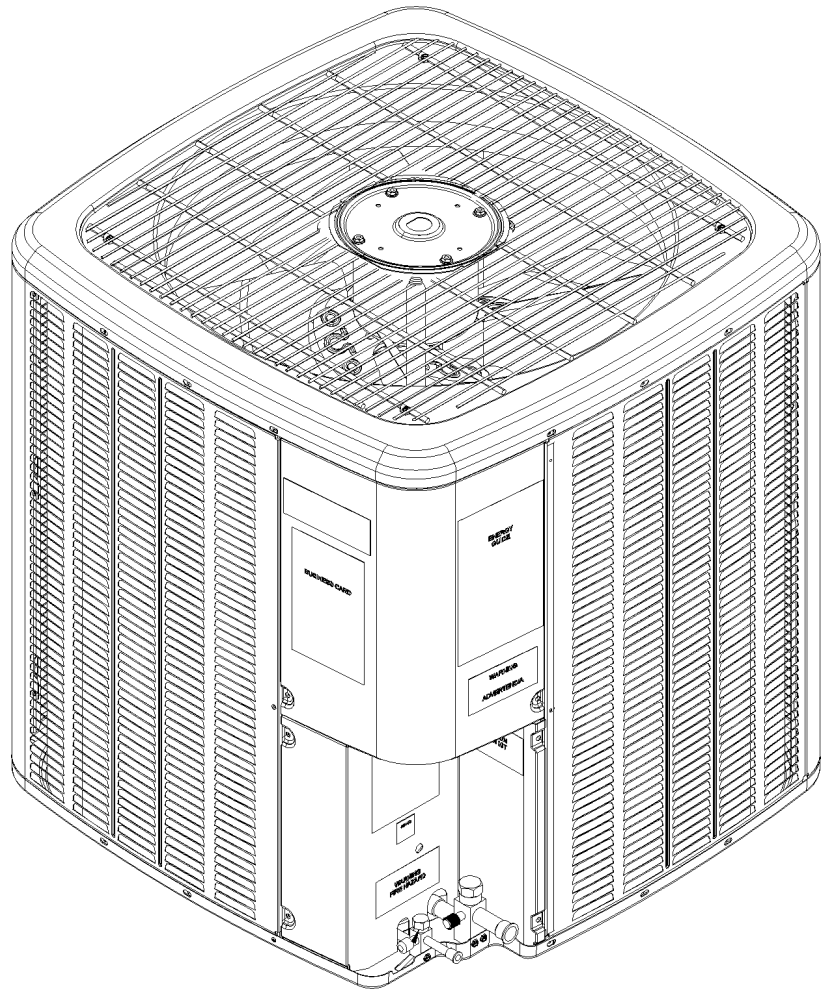


## DX13SA Remote Air Conditioner

DX13SA0181AA  
DX13SA0181AB  
DX13SA0181AC  
DX13SA0241AA  
DX13SA0241AB  
DX13SA0241AC  
DX13SA0301AA  
DX13SA0301AB  
DX13SA0361AA  
DX13SA0361AB  
DX13SA0361AC  
DX13SA0421AA  
DX13SA0421AB  
DX13SA0481AA  
DX13SA0481AB  
DX13SA0601AA  
DX13SA0601AB  
DX13SA0611AA  
DX13SA0611AB



This manual is to be used by qualified technicians only.

This manual replaces RP-D4005C.

© 2013-2014, 2016 **DAIKIN MANUFACTURING COMPANY, L.P.** ♦ 5151 San Felipe St., Suite 500 ♦ Houston, TX 77056

# Important Information

---

## Index

|                              |       |
|------------------------------|-------|
| Functional Parts List .....  | 3     |
| Illustration and Parts ..... | 4 - 9 |

*Views shown are for parts illustrations only, not servicing procedures*

### Text Codes:

AR - As Required

NA - Not Available

NS - Not Shown

00000000 - See Note

QTY - Quantity Example (QTY 3) (If Quantity not shown, Quantity = 1)

M - Model Example (M1) (If M Code not shown, then part is used on all Models)

### Expanded Model Nomenclature:

|   |
|---|
| Example<br>M1 - Model#1<br>M2 - Model#2<br>M3 - Model#3 |
|---|

Daikin Company, L.P. is not responsible for personal injury or property damage resulting from improper service. Review all service information before beginning repairs.

Warranty service must be performed by an authorized technician, using authorized factory parts. If service is required after the warranty expires, Daikin Company, L.P. also recommends contacting an authorized technician and using authorized factory parts.

Daikin Company, L.P. reserves the right to discontinue, or change at any time, specifications or designs without notice or without incurring obligations.

For assistance within the U.S.A. contact:

Homeowner Support  
Daikin North America, LLC  
19001 Kermier Road  
Waller, Texas 77484  
855-770-5678-Telephone  
713-863-2382-Facsimile

For assistance outside the U.S.A. contact:

International Division  
Daikin North America, LLC  
19001 Kermier Road  
Waller, Texas 77484  
713-861-2500-Telephone  
713-863-2382-Facsimile

# Functional Parts

**Part No:**            **Description:**

|                |  |
|----------------|--|
| 0151R00079     | BASE VALVE 3/4" (M1, M2, M3, M4, M5, M6, M7, M8, M9, M10, M11)                     |
| 0151R00078     | BASE VALVE 3/8"  |
| 0151R00080     | BASE VALVE 7/8" (M12, M13, M14, M15, M16, M17, M18, M19)                           |
| CAP050300440CS | CAP,5/30MFD/440V/DUAL RD (M1, M2, M3)  |
| CAP050350440CS | CAPACITOR 5/35/440V (M4, M5, M6)   |
| CAP050400440CT | CAPACITOR 5/40/440V/DUAL RD (M7, M8)   |
| CAP050450440CT | CAPACITOR 5/45/440V/DUAL RD (M9, M10, M11, M12, M13, M14, M15)                     |
| CAP050700440CT | CAPACITOR 5/70/440V/DUAL RD (M16, M17, M18, M19)                                   |
| ZP24K5EPFV130  | COMP,24000,208/230/60/1 (M7, M8)   |
| ZP29K5EPFV130  | COMP,29000,208/230/60/1 (M9, M10, M11)   |
| ZP49K5EPFV130  | COMP,49400,208/230/60/1 (M16, M17)   |
| ZP16K5EPFV130  | COMPRESSOR 15500, 208/230/60/1 (M1, M2, M3)  |
| ZP20K5EPFV130  | COMPRESSOR 20000, 208/230/60/1 (M4, M5, M6)  |
| ZP34K5EPFV130  | COMPRESSOR 34500, 208/230/60/1 (M12, M13)  |
| ZP39K5EPFV130  | COMPRESSOR 39000, 208/230/60/1 (M14, M15)  |
| ZP51K5EPFV130  | COMPRESSOR 51000, 208/230/60/1 (M18, M19)  |
| 0131M00018P    | COND MOTOR 1/4 HP, 1 SP, 6 PL (M9, M10, M11)                                       |
| 0131M00061     | COND MOTOR 1/4 HP, 1 SP, 8 PL (M12, M13, M14, M15, M16, M17, M18, M19)             |
| 0131M00266     | COND MOTOR 1/8 HP, 8 PL, PSC (M1, M2, M3, M4, M5, M6, M7, M8)                      |
| CONT1P025024V  | CONTACTOR 25 AMP, 1P, 24V (M1, M2, M3, M4, M5, M6, M7, M8, M9, M10, M11, M12, M13) |
| CONT1P030024V  | CONTACTOR 30 AMP, 1P, 24V (M14, M15, M16, M17, M18, M19)                           |
| 571006600      | CoreSense Module   |
| 0150M00041     | FAN BLADE (M9, M10, M11)   |
| 0150M00018     | FAN BLADE 20" (M1, M2, M3, M4, M5, M6)   |
| 0150M00012     | FAN BLADE 20" CCW (M7, M8)   |
| 10625738       | FAN BLADE 26" ALUM CCW (M18, M19)  |
| B1086765       | FAN BLADE TYPE 3 (M12, M13, M14, M15, M16, M17)                                    |
| 0130M00082     | LOW PRESSURE SWITCH  |

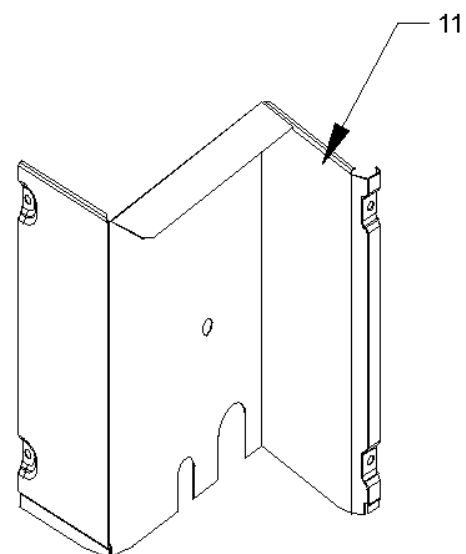
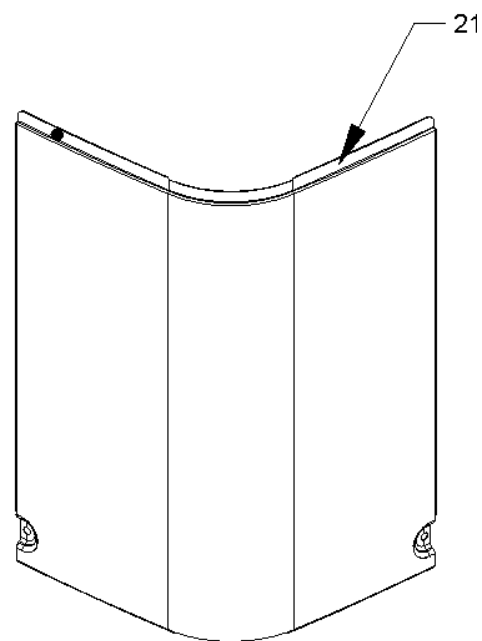
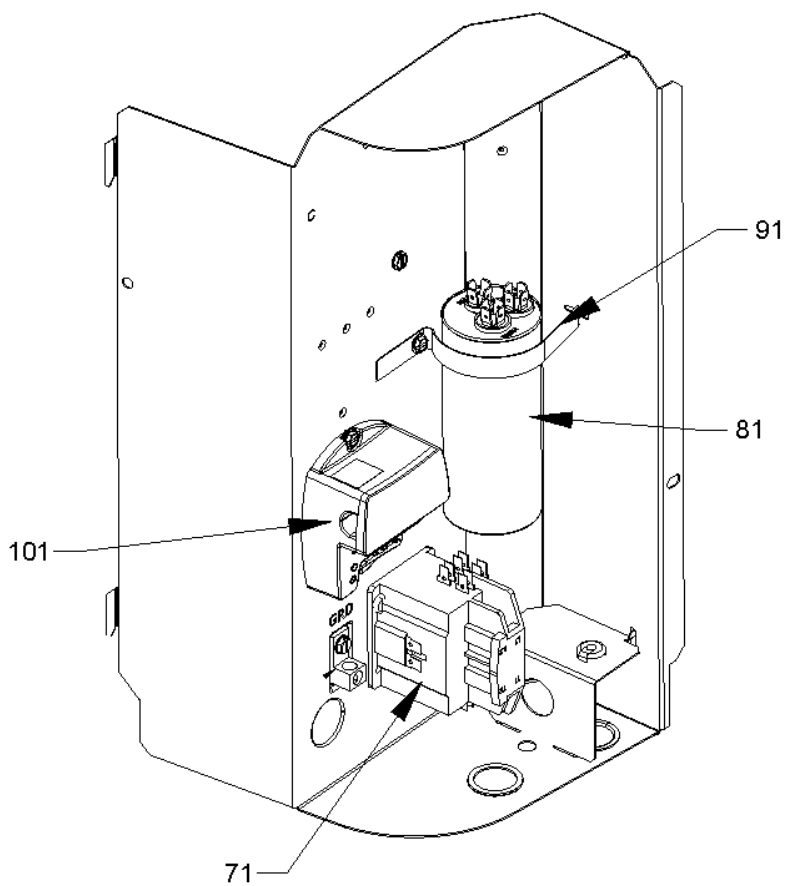
## Expanded Model Nomenclature

|                    |
|--------------------|
| M1 - DX13SA0181AA  |
| M2 - DX13SA0181AB  |
| M3 - DX13SA0181AC  |
| M4 - DX13SA0241AA  |
| M5 - DX13SA0241AB  |
| M6 - DX13SA0241AC  |
| M7 - DX13SA0301AA  |
| M8 - DX13SA0301AB  |
| M9 - DX13SA0361AA  |
| M10 - DX13SA0361AB |
| M11 - DX13SA0361AC |
| M12 - DX13SA0421AA |
| M13 - DX13SA0421AB |
| M14 - DX13SA0481AA |
| M15 - DX13SA0481AB |
| M16 - DX13SA0601AA |
| M17 - DX13SA0601AB |
| M18 - DX13SA0611AA |
| M19 - DX13SA0611AB |

## SPECIAL PARTS

|            |                   |
|------------|-------------------|
| 0161R00038 | GRILL CAP         |
| 0161R00036 | NAMEPLATE, DAIKIN |

# Control Cover / Control Box



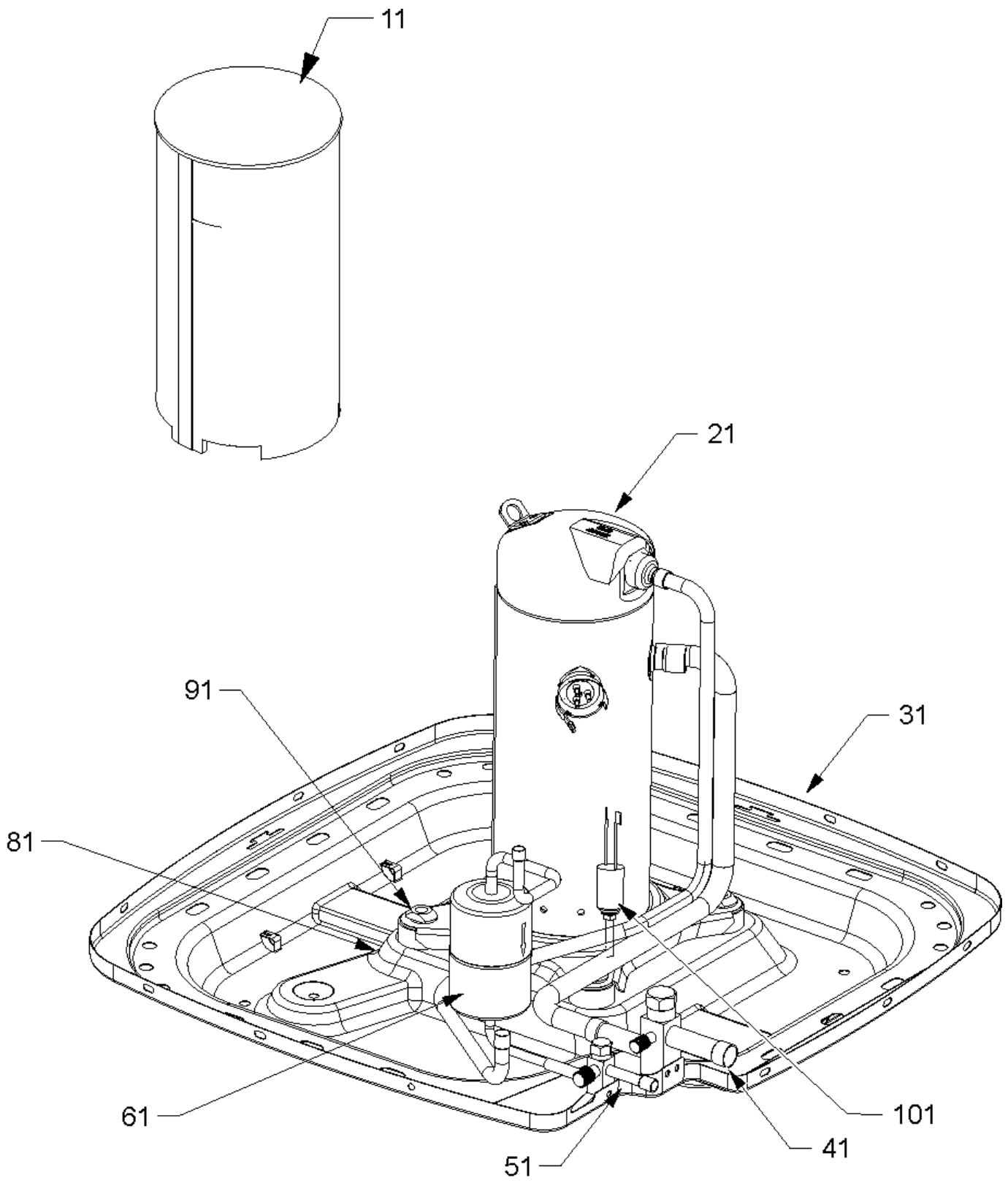
# Control Cover / Control Box

| Ref. Part No: No: | Description:   | Ref. Part No: No: | Description:   |
|-------------------|----------------|-------------------|--|
| <b>Image 1:</b>   |                |                   |  |
| 11                | 0121R00316PNG  |                   | PANEL, LOWER ACCESS PNT (M16, M17)   |
| 11                | 0121R00319PNG  |                   | PANEL, LOWER ACCESS PNT (M12, M13, M14, M15, M18, M19)                             |
| 11                | 0121R00326PNG  |                   | PANEL, LOWER ACCESS PNT (M1, M2, M3, M4, M5, M6, M7, M8, M9, M10, M11)             |
| 21                | 0121R00053PNG  |                   | CONTROL COVER, SMALL PNT   |
| 71                | CONT1P025024V  |                   | CONTACTOR 25 AMP, 1P, 24V (M1, M2, M3, M4, M5, M6, M7, M8, M9, M10, M11, M12, M13) |
| 71                | CONT1P030024V  |                   | CONTACTOR 30 AMP, 1P, 24V (M14, M15, M16, M17, M18, M19)                           |
| 81                | 4400065        |                   | CAPACITOR STRAP  |
| 91                | CAP050300440CS |                   | CAP,5/30MFD/440V/DUAL RD (M1, M2, M3)  |
| 91                | CAP050350440CS |                   | CAPACITOR 5/35/440V (M4, M5, M6)   |
| 91                | CAP050400440CT |                   | CAPACITOR 5/40/440V/DUAL RD (M7, M8)   |
| 91                | CAP050450440CT |                   | CAPACITOR 5/45/440V/DUAL RD (M9, M10, M11, M12, M13, M14, M15)                     |
| 91                | CAP050700440CT |                   | CAPACITOR 5/70/440V/DUAL RD (M16, M17, M18, M19)                                   |
| 101               | 571006600      |                   | CoreSense Module   |
| NS                | 0161R00038     |                   | GRILL CAP  |
| NS                | 0161R00036     |                   | NAMEPLATE, DAIKIN  |

## Expanded Model Nomenclature

|                    |
|--------------------|
| M1 - DX13SA0181AA  |
| M2 - DX13SA0181AB  |
| M3 - DX13SA0181AC  |
| M4 - DX13SA0241AA  |
| M5 - DX13SA0241AB  |
| M6 - DX13SA0241AC  |
| M7 - DX13SA0301AA  |
| M8 - DX13SA0301AB  |
| M9 - DX13SA0361AA  |
| M10 - DX13SA0361AB |
| M11 - DX13SA0361AC |
| M12 - DX13SA0421AA |
| M13 - DX13SA0421AB |
| M14 - DX13SA0481AA |
| M15 - DX13SA0481AB |
| M16 - DX13SA0601AA |
| M17 - DX13SA0601AB |
| M18 - DX13SA0611AA |
| M19 - DX13SA0611AB |

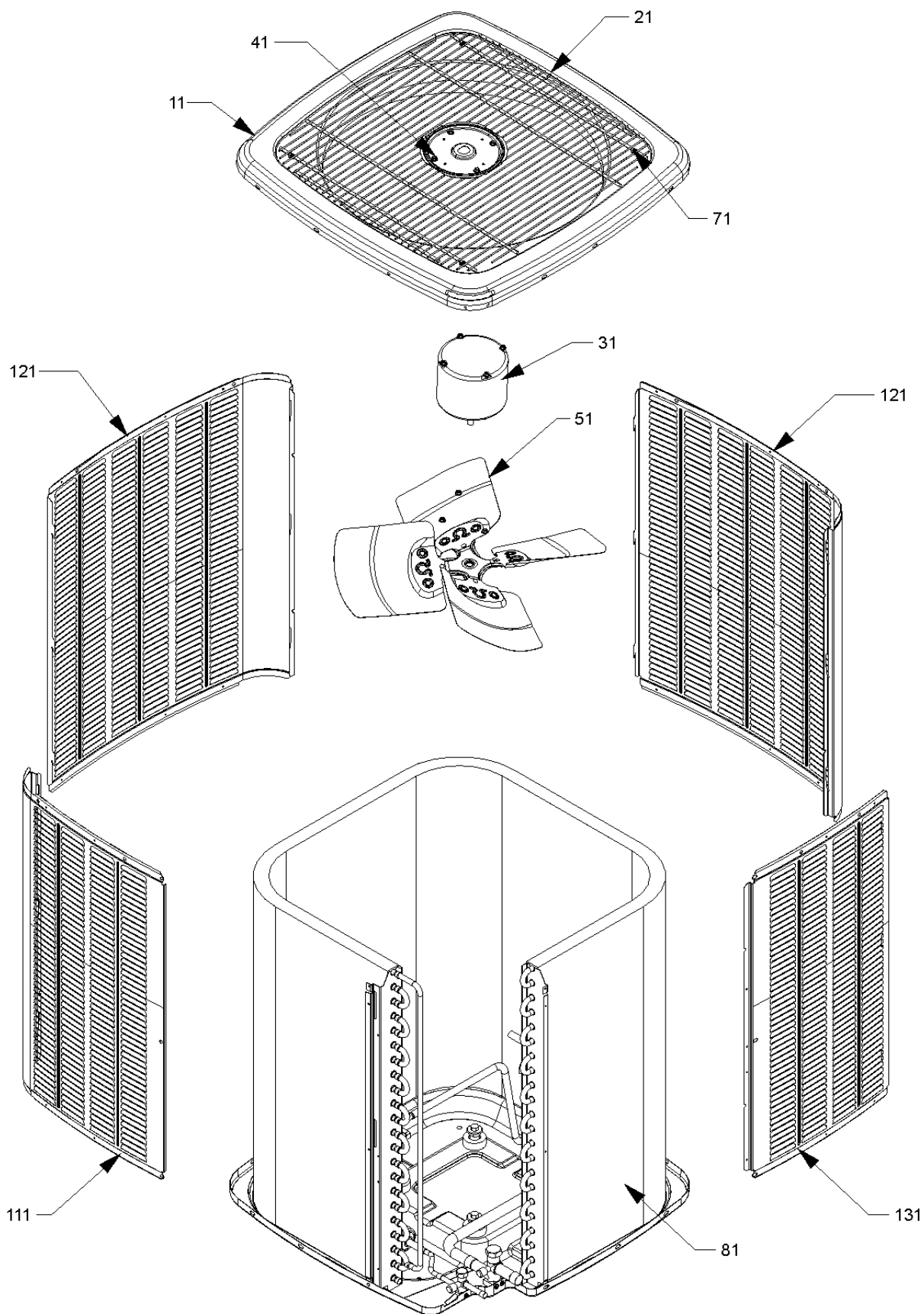
# Compressor / Tubing Assembly



# Compressor / Tubing Assembly

| Ref. Part No: No: | Description:   | Ref. Part No: No:                  | Description:   |
|-------------------|--|------------------------------------|----------------|
| <b>Image 1:</b>   |  | <b>Expanded Model Nomenclature</b> |                |
| 11                | B1488806 COMPRESSOR SOUND BLANKET (M18, M19)   | M1                                 | - DX13SA0181AA |
| 11                | B1488807 COMPRESSOR SOUND BLANKET (M12, M13, M14, M15, M16, M17)                     | M2                                 | - DX13SA0181AB |
| 11                | B1488810 COMPRESSOR SOUND BLANKET (M1, M2, M3, M4, M5, M6, M7, M8, M9, M10, M11)     | M3                                 | - DX13SA0181AC |
| 21                | ZP24K5EPFV130 COMP,24000,208/230/60/1 (M7, M8)                                       | M4                                 | - DX13SA0241AA |
| 21                | ZP29K5EPFV130 COMP,29000,208/230/60/1 (M9, M10, M11)                                 | M5                                 | - DX13SA0241AB |
| 21                | ZP49K5EPFV130 COMP,49400,208/230/60/1 (M16, M17)                                     | M6                                 | - DX13SA0241AC |
| 21                | ZP16K5EPFV130 COMPRESSOR 15500, 208/230/60/1 (M1, M2, M3)                            | M7                                 | - DX13SA0301AA |
| 21                | ZP20K5EPFV130 COMPRESSOR 20000, 208/230/60/1 (M4, M5, M6)                            | M8                                 | - DX13SA0301AB |
| 21                | ZP34K5EPFV130 COMPRESSOR 34500, 208/230/60/1 (M12, M13)                              | M9                                 | - DX13SA0361AA |
| 21                | ZP39K5EPFV130 COMPRESSOR 39000, 208/230/60/1 (M14, M15)                              | M10                                | - DX13SA0361AB |
| 21                | ZP51K5EPFV130 COMPRESSOR 51000, 208/230/60/1 (M18, M19)                              | M11                                | - DX13SA0361AC |
| 31                | 0121R00005PNG BASE PAN, 26" PNT (M1, M2, M3, M4, M5, M6, M7, M8, M9, M10, M11)       | M12                                | - DX13SA0421AA |
| 31                | 0121R00006PNG BASE PAN, 29" PNT (M12, M13, M14, M15, M16, M17)                       | M13                                | - DX13SA0421AB |
| 31                | 0121R00007PNG BASE PAN, 35.5" PNT (M18, M19)   | M14                                | - DX13SA0481AA |
| 41                | 0151R00079 BASE VALVE 3/4" (M1, M2, M3, M4, M5, M6, M7, M8, M9, M10, M11)            | M15                                | - DX13SA0481AB |
| 41                | 0151R00080 BASE VALVE 7/8" (M12, M13, M14, M15, M16, M17, M18, M19)                  | M16                                | - DX13SA0601AA |
| 51                | 0151R00078 BASE VALVE 3/8"   | M17                                | - DX13SA0601AB |
| 61                | 0162R00009 FILTER DRIER  | M18                                | - DX13SA0611AA |
| 81                | B1339533 COMPRESSOR GROMMET (QTY 4)  | M19                                | - DX13SA0611AB |
| 91                | M0221641 TF SHOULDER SCREW (QTY 4)   |                                    |                |
| 101               | 0130M00082 LOW PRESSURE SWITCH   |                                    |                |
| NS                | 0159R00000P COMPRESSOR SCROLL HARNESS (M1, M2, M3, M4, M5, M6, M7, M8, M9, M10, M11) |                                    |                |
| NS                | 0159R00001P COMPRESSOR SCROLL HARNESS (M12, M13, M14, M15)                           |                                    |                |
| NS                | 0159R00002P COMPRESSOR SCROLL HARNESS (M16, M17, M18, M19)                           |                                    |                |
| NS                | B1789886 FLOW CHECK PISTON KIT (M16, M17, M18, M19)                                  |                                    |                |
| NS                | B1789851 FLOW CHECK PISTON KIT .051 (M1, M2, M3)                                     |                                    |                |
| NS                | B1789857 FLOW CHECK PISTON KIT .057 (M4, M5, M6)                                     |                                    |                |
| NS                | B1789861 FLOW CHECK PISTON KIT .061 (M7, M8)   |                                    |                |
| NS                | B1789870 FLOW CHECK PISTON KIT .070 (M9, M10, M11)                                   |                                    |                |
| NS                | B1789876 FLOW CHECK PISTON KIT .076 (M12, M13)                                       |                                    |                |
| NS                | B1789880 FLOW CHECK PISTON KIT .080 (M14, M15)                                       |                                    |                |

# Cabinet Top / Side Panels / Condenser



# Cabinet Top / Side Panels / Condenser

| Ref. Part No: No: | Description:   | Ref. Part No: No:                  | Description:   |
|-------------------|--|------------------------------------|----------------|
| <b>Image 1:</b>   |  | <b>Expanded Model Nomenclature</b> |                |
| 11                | 0121R00009PNG PANEL, VENTURI 26" PNT (M1, M2, M3, M4, M5, M6, M7, M8, M9, M10, M11)    | M1                                 | - DX13SA0181AA |
| 11                | 0121R00011PNG PANEL, VENTURI 29" PNT (M12, M13, M14, M15, M16, M17)                    | M2                                 | - DX13SA0181AB |
| 11                | 0121R00013PNG PANEL, VENTURI 35" PNT (M18, M19)  | M3                                 | - DX13SA0181AC |
| 21                | 0152R00010 GRILLE, WIRE 26" TOP (M1, M2, M3, M4, M5, M6, M7, M8, M9, M10, M11)         | M4                                 | - DX13SA0241AA |
| 21                | 0152R00011 GRILLE, WIRE 29" TOP (M12, M13, M14, M15, M16, M17)                         | M5                                 | - DX13SA0241AB |
| 21                | 0152R00014 GRILLE, WIRE 35" TOP (M18, M19)   | M6                                 | - DX13SA0241AC |
| 31                | 0131M00018P COND MOTOR 1/4 HP, 1 SP, 6 PL (M9, M10, M11)                               | M7                                 | - DX13SA0301AA |
| 31                | 0131M00061 COND MOTOR 1/4 HP, 1 SP, 8 PL (M12, M13, M14, M15, M16, M17, M18, M19)      | M8                                 | - DX13SA0301AB |
| 31                | 0131M00266 COND MOTOR 1/8 HP, 8 PL, PSC (M1, M2, M3, M4, M5, M6, M7, M8)               | M9                                 | - DX13SA0361AA |
| 41                | M0280801 HEX NUT (QTY 4)   | M10                                | - DX13SA0361AB |
| 51                | 0150M00041 FAN BLADE (M9, M10, M11)  | M11                                | - DX13SA0361AC |
| 51                | 0150M00018 FAN BLADE 20" (M1, M2, M3, M4, M5, M6)                                      | M12                                | - DX13SA0421AA |
| 51                | 0150M00012 FAN BLADE 20" CCW (M7, M8)  | M13                                | - DX13SA0421AB |
| 51                | 10625738 FAN BLADE 26" ALUM CCW (M18, M19)   | M14                                | - DX13SA0481AA |
| 51                | B1086765 FAN BLADE TYPE 3 (M12, M13, M14, M15, M16, M17)                               | M15                                | - DX13SA0481AB |
| 71                | 0163M00003P SCREW #10 X 1/2, A, SLOT, SR, BLACK (QTY 6)                                | M16                                | - DX13SA0601AA |
| 81                | 0201R00268 COIL TUBING ASSY (M1, M4)   | M17                                | - DX13SA0601AB |
| 81                | 0201R00311 COIL TUBING ASSY (M18)  | M18                                | - DX13SA0611AA |
| 81                | 0201R00349 COIL TUBING ASSY (M17)  | M19                                | - DX13SA0611AB |
| 81                | 0201R00385 COIL TUBING ASSY (M19)  |                                    |                |
| 81                | 0201R00458 COIL TUBING ASSY (M8, M10, M11)   |                                    |                |
| 81                | 0201R00463 COIL TUBING ASSY (M16)  |                                    |                |
| 81                | 0201R00472 COIL TUBING ASSY (M13, M15)   |                                    |                |
| 81                | 0201R00492 COIL TUBING ASSY (M7, M9)   |                                    |                |
| 81                | 0201R00510 COIL TUBING ASSY (M2, M3, M5, M6)   |                                    |                |
| 81                | 0201R00274 TUBING ASSY, COND COIL (M12, M14)   |                                    |                |
| 111               | 0121R00202PNGB PANEL 1, BENT LOUVER PNT (M12, M13, M14, M15)                           |                                    |                |
| 111               | 0121R00203PNGB PANEL 1, BENT LOUVER PNT (M16, M17)                                     |                                    |                |
| 111               | 0121R00207PNGB PANEL 1, BENT LOUVER PNT (M1, M2, M3, M4, M5, M6, M7, M8, M9, M10, M11) |                                    |                |
| 111               | 0121R00239PNGB PANEL 1, BENT LOUVER PNT (M18, M19)                                     |                                    |                |
| 121               | 0121R00198PNGB PANEL 2, BENT LOUVER (M1, M2, M3, M4, M5, M6, M7, M8, M9, M10, M11)     |                                    |                |
| 121               | 0121R00205PNGB PANEL 2, BENT LOUVER (M12, M13, M14, M15)                               |                                    |                |
| 121               | 0121R00206PNGB PANEL 2, BENT LOUVER (M16, M17)   |                                    |                |
| 121               | 0121R00243PNGB PANEL 2, BENT LOUVER (M18, M19)   |                                    |                |
| 131               | 0121R00194PNG PANEL 3, LOUVER (M12, M13, M14, M15)                                     |                                    |                |
| 131               | 0121R00195PNG PANEL 3, LOUVER (M16, M17)   |                                    |                |
| 131               | 0121R00196PNG PANEL 3, LOUVER (M1, M2, M3, M4, M5, M6, M7, M8, M9, M10, M11)           |                                    |                |
| 131               | 0121R00247PNG PANEL 3, LOUVER (M18, M19)   |                                    |                |
| NS                | 0161R00000P CONDUIT (M1, M2, M3, M4, M5, M6, M7, M8, M9, M10, M11)                     |                                    |                |
| NS                | 0161R00002P CONDUIT (M12, M13, M14, M15, M16, M17)                                     |                                    |                |
| NS                | 0161R00004P CONDUIT (M18, M19)   |                                    |                |