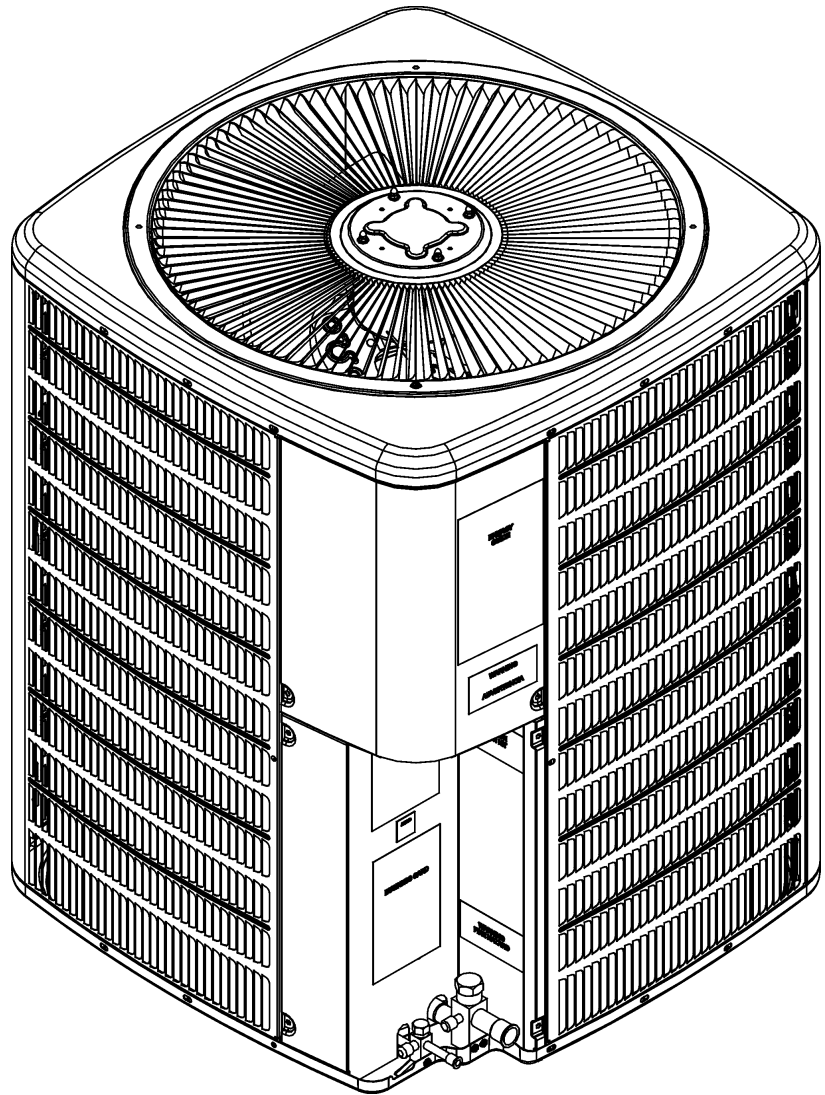


DX13SA 3-Phase Remote Condensing Unit

DX13SA0363AA
DX13SA0363AB
DX13SA0363AC
DX13SA0363AD
DX13SA0364AA
DX13SA0483AA
DX13SA0483AB
DX13SA0483AC
DX13SA0484AA
DX13SA0484AB
DX13SA0484AC
DX13SA0603AA
DX13SA0603AB
DX13SA0604AA
DX13SA0604AB
DX13SA0604AC



This manual is to be used by qualified technicians only.

This manual replaces RP-D4000C.

© 2015 - 2016 **DAIKIN MANUFACTURING COMPANY, L.P.** ♦ 5151 San Felipe St., Suite 500 ♦ Houston, TX 77056

Important Information

Index

Functional Parts List	3
Illustration and Parts	4 - 9

Views shown are for parts illustrations only, not servicing procedures

Text Codes:

AR - As Required

NA - Not Available

NS - Not Shown

00000000 - See Note

QTY - Quantity Example (QTY 3) (If Quantity not shown, Quantity = 1)

M - Model Example (M1) (If M Code not shown, then part is used on all Models)

Expanded Model Nomenclature:

Example M1 - Model#1 M2 - Model#2 M3 - Model#3

Daikin Manufacturing Company, L.P. is not responsible for personal injury or property damage resulting from improper service. Review all service information before beginning repairs.

Warranty service must be performed by an authorized technician, using authorized factory parts. If service is required after the warranty expires, Daikin Manufacturing Company, L.P. also recommends contacting an authorized technician and using authorized factory parts.

Daikin Manufacturing Company, L.P. reserves the right to discontinue, or change at any time, specifications or designs without notice or without incurring obligations.

For assistance within the U.S.A. contact:

Homeowner Support
Daikin North America, LLC
19001 Kermier Road
Waller, Texas 77484
855-770-5678-Telephone
713-863-2382-Facsimile

For assistance outside the U.S.A. contact:

International Division
Daikin North America, LLC
19001 Kermier Road
Waller, Texas 77484
713-861-2500-Telephone
713-863-2382-Facsimile

Functional Parts

Part

No: Description:

0151R00079	BASE VALVE 3/4" (M1, M2, M3, M4, M5)
0151R00080	BASE VALVE 7/8" (M6, M7, M8, M9, M10, M11, M12, M13, M14, M15, M16)
CAP050000370LA	CAPACITOR 5/370V
ZP31K5ETF5130	COMPRESSOR 31200, 200/230/60/3 (M1, M2, M3, M4)
ZP31K5ETFD130	COMPRESSOR 31200, 460/60/3 (M5)
ZP39K5ETF5130	COMPRESSOR 39000, 200/230/60/3 (M6, M7, M8)
ZP39K5ETFD130	COMPRESSOR 39000, 460/60/3 (M9, M10, M11)
ZP51K5ETF5130	COMPRESSOR 51000, 208/230/60/3 (M12, M13)
ZP51K5ETFD130	COMPRESSOR 51000, 460/60/3 (M14, M15, M16)
0131M00018P	COND MOTOR 1/4 HP, 1 SP, 6 PL (M6, M7, M8)
0131M00061	COND MOTOR 1/4 HP, 1 SP, 8 PL (M12, M13)
0131M00060	COND MOTOR 1/6 HP, 1 SP, 8 PL (M1, M2, M3)
0131M00023S	COND MOTOR 1/6 HP, 8 PL, 460V (M5)
0131M00753	COND MOTOR, 1/6HP, 1SP, 8PL, AL (M4)
CONT3P025024V	CONTACTOR 25 AMP, 3P, 24V
B1086750	FAN BLADE 22", 3 BLADE, 24° (M6, M7, M8)
10625738	FAN BLADE 26" ALUM CCW (M12, M13, M14, M15, M16)
B1086764	FAN BLADE TYPE 2 (M1, M2, M3, M4, M5)
B1086765	FAN BLADE TYPE 3 (M9, M10, M11)
0131M00022	MOTOR 1/4 HP, 8 PL, 460V (M9, M10, M11, M14, M15, M16)

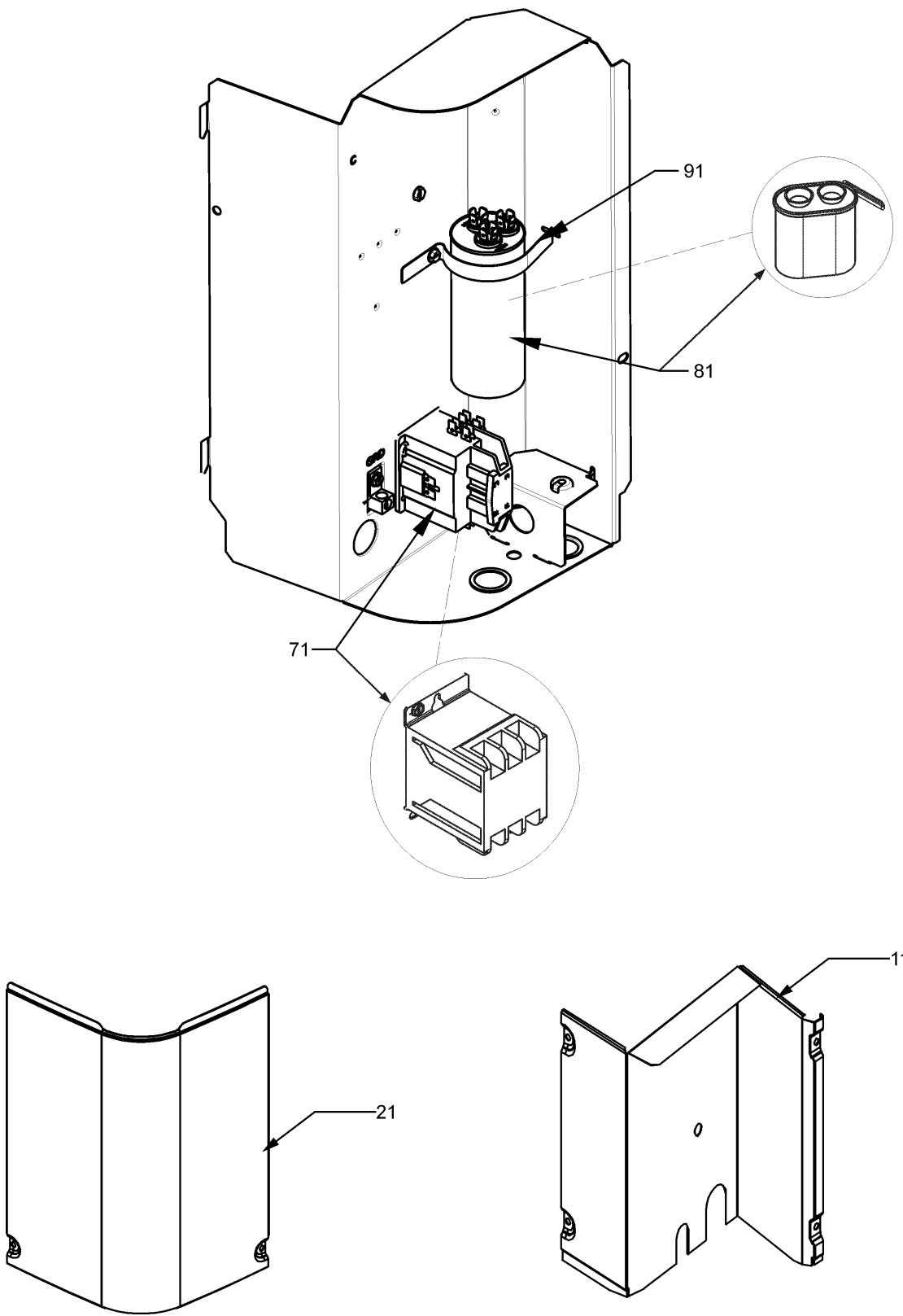
SPECIAL PARTS

0161R00037	NAMEPLATE, DAIKIN (M6, M7, M9, M10, M12, M13, M14, M15, M16)
0161R00036	NAMEPLATE, DAIKIN (M1, M2, M3, M4, M5, M8, M11)

Expanded Model Nomenclature

M1 - DX13SA0363AA
M2 - DX13SA0363AB
M3 - DX13SA0363AC
M4 - DX13SA0363AD
M5 - DX13SA0364AA
M6 - DX13SA0483AA
M7 - DX13SA0483AB
M8 - DX13SA0483AC
M9 - DX13SA0484AA
M10 - DX13SA0484AB
M11 - DX13SA0484AC
M12 - DX13SA0603AA
M13 - DX13SA0603AB
M14 - DX13SA0604AA
M15 - DX13SA0604AB
M16 - DX13SA0604AC

Control Cover / Control Box



Control Cover / Control Box

Ref. Part No:	No:	Description:	Ref. Part No:	No:	Description:
---------------	-----	--------------	---------------	-----	--------------

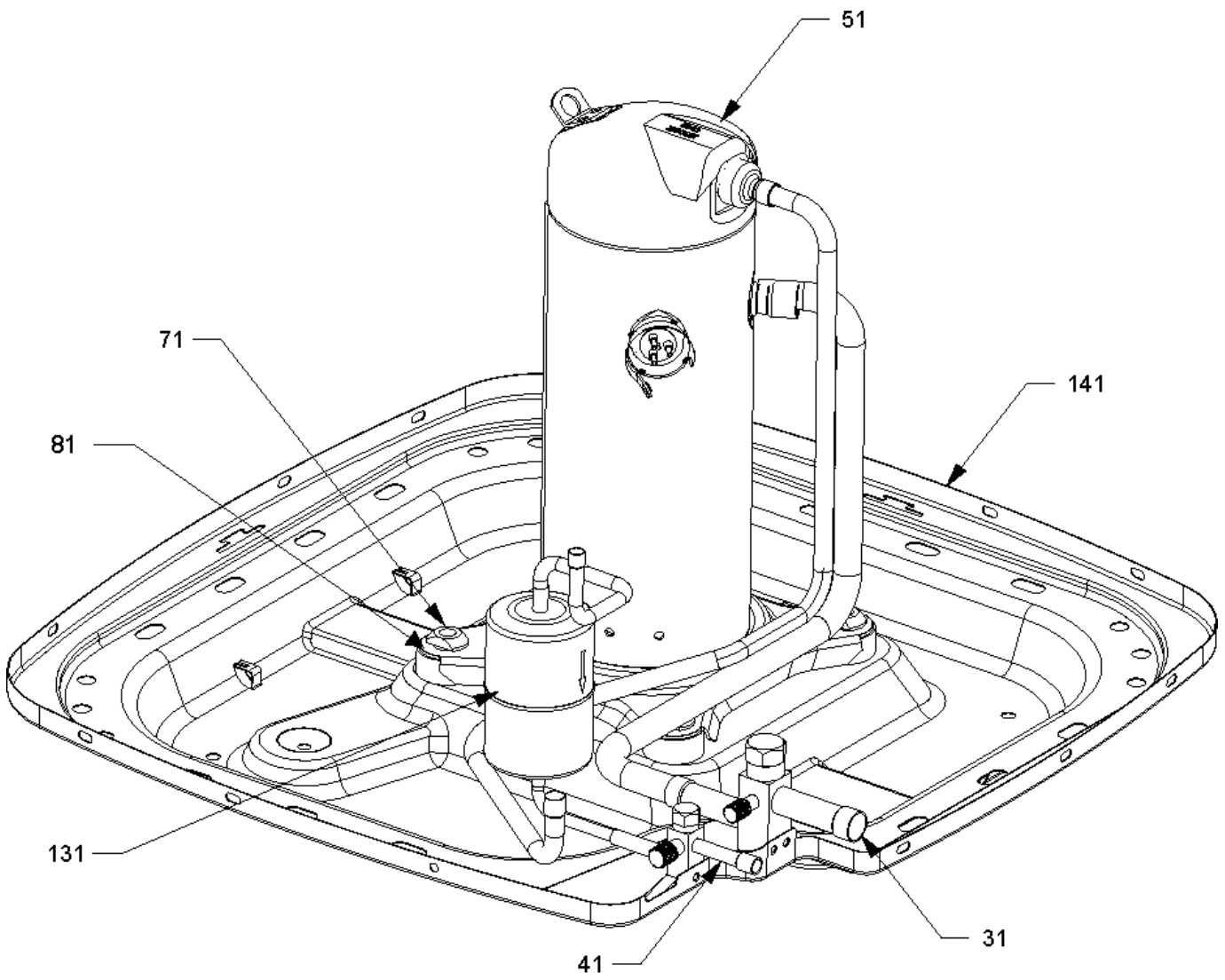
Image 1:

11	0121R00319	LOWER ACCESS PANEL (M6, M7, M8, M9, M10, M11, M12, M13, M14, M15, M16)
11	0121R00325	LOWER ACCESS PANEL (M1, M2, M3, M4, M5)
21	0121R00053PNG	CONTROL COVER
71	CONT3P025024V	CONTACTOR 25 AMP, 3P, 24V
81	CAP050000370LA	CAPACITOR 5/370V
91	4400065	CAPACITOR STRAP
NS	0161R00036	NAMEPLATE, DAIKIN (M1, M2, M3, M4, M5, M8, M11)
NS	0161R00037	NAMEPLATE, DAIKIN (M6, M7, M9, M10, M12, M13, M14, M15, M16)

Expanded Model Nomenclature

- M1 - DX13SA0363AA
- M2 - DX13SA0363AB
- M3 - DX13SA0363AC
- M4 - DX13SA0363AD
- M5 - DX13SA0364AA
- M6 - DX13SA0483AA
- M7 - DX13SA0483AB
- M8 - DX13SA0483AC
- M9 - DX13SA0484AA
- M10 - DX13SA0484AB
- M11 - DX13SA0484AC
- M12 - DX13SA0603AA
- M13 - DX13SA0603AB
- M14 - DX13SA0604AA
- M15 - DX13SA0604AB
- M16 - DX13SA0604AC

Compressor / Tubing Assembly



Compressor / Tubing Assembly

Ref. Part No:	No:	Description:	Ref. Part No:	No:	Description:
Image 1:					
31	0151R00079	BASE VALVE 3/4" (M1, M2, M3, M4, M5)			
31	0151R00080	BASE VALVE 7/8" (M6, M7, M8, M9, M10, M11, M12, M13, M14, M15, M16)			
41	0151R00078	BASE VALVE 3/8"			
51	ZP31K5ETF5130	COMPRESSOR 31200, 200/230/60/3 (M1, M2, M3, M4)			
51	ZP31K5ETFD130	COMPRESSOR 31200, 460/60/3 (M5)			
51	ZP39K5ETF5130	COMPRESSOR 39000, 200/230/60/3 (M6, M7, M8)			
51	ZP39K5ETFD130	COMPRESSOR 39000, 460/60/3 (M9, M10, M11)			
51	ZP51K5ETF5130	COMPRESSOR 51000, 208/230/60/3 (M12, M13)			
51	ZP51K5ETFD130	COMPRESSOR 51000, 460/60/3 (M14, M15, M16)			
71	M0221641	TF SHOULDER SCREW (QTY 4)			
81	B1339533	COMPRESSOR GROMMET (QTY 4)			
131	0162R00009	FILTER DRIER			
141	0121R00006PNG	BASE PAN 29" (M1, M2, M3, M4, M5, M6, M7, M8, M9, M10, M11)			
141	0121R00007PNG	BASE PAN, 35.5" PNT (M12, M13, M14, M15, M16)			
NS	0159R00008	COMPRESSOR SCROLL HARNESS (M1, M2, M3, M4, M5)			
NS	0159R00009	COMPRESSOR SCROLL HARNESS (M6, M7, M8, M9, M10, M11, M12, M13, M14, M15, M16)			

Expanded Model Nomenclature

M1 - DX13SA0363AA
M2 - DX13SA0363AB
M3 - DX13SA0363AC
M4 - DX13SA0363AD
M5 - DX13SA0364AA
M6 - DX13SA0483AA
M7 - DX13SA0483AB
M8 - DX13SA0483AC
M9 - DX13SA0484AA
M10 - DX13SA0484AB
M11 - DX13SA0484AC
M12 - DX13SA0603AA
M13 - DX13SA0603AB
M14 - DX13SA0604AA
M15 - DX13SA0604AB
M16 - DX13SA0604AC

Cabinet Top / Side Panels

Image 1

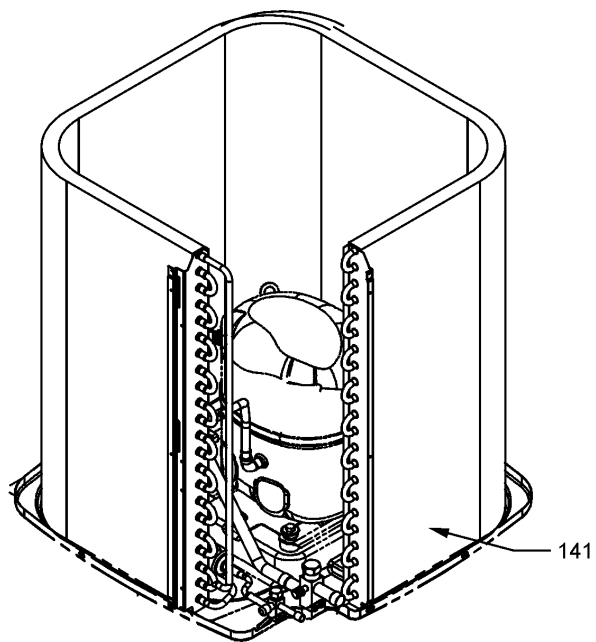
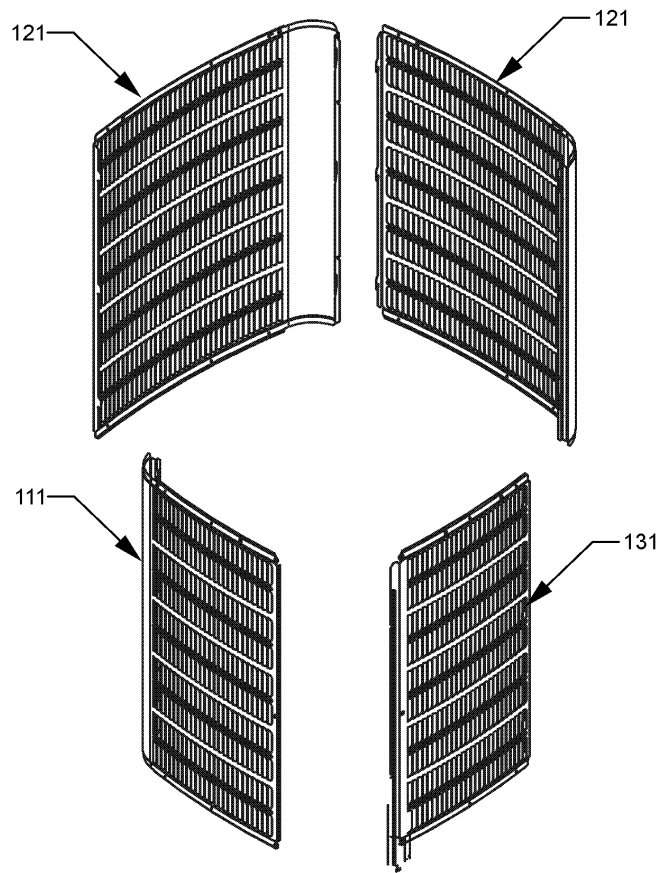
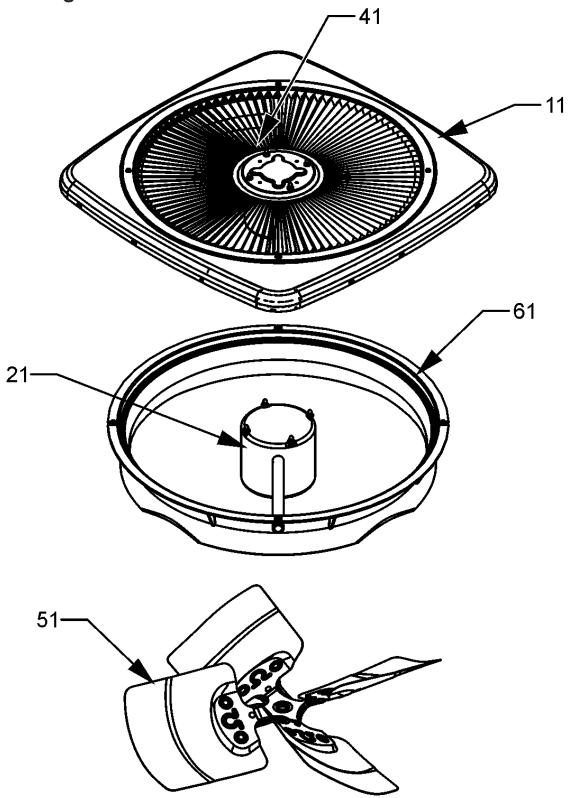
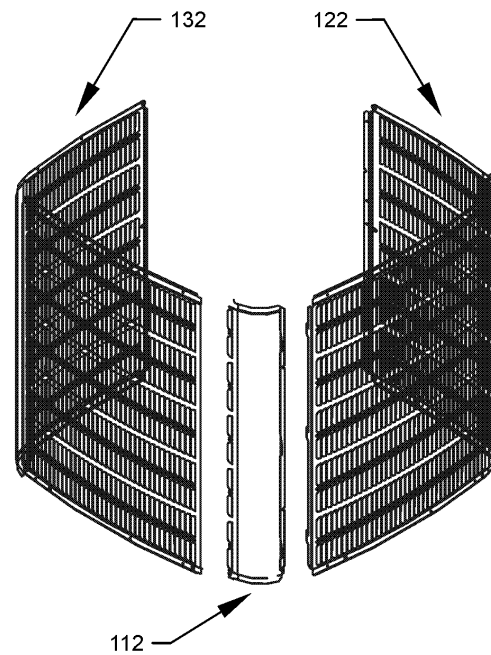


Image 2



Cabinet Top / Side Panels

**Ref. Part
No: No:**

Description:

**Ref. Part
No: No:**

Description:

Image 1:

11	0121R00010PNG	TOP PANEL, 29" PNT (M1, M2, M3, M4, M5, M6, M7, M8, M9, M10, M11)
11	0121R00269PNG	Top Panel, 35" Pnt (M12, M13, M14, M15, M16)
21	0131M00018P	COND MOTOR 1/4 HP, 1 SP, 6 PL (M6, M7, M8)
21	0131M00061	COND MOTOR 1/4 HP, 1 SP, 8 PL (M12, M13)
21	0131M00060	COND MOTOR 1/6 HP, 1 SP, 8 PL (M1, M2, M3)
21	0131M00023S	COND MOTOR 1/6 HP, 8 PL, 460V (M5)
21	0131M00753	COND MOTOR, 1/6HP, 1SP, 8PL, AL (M4)
21	0131M00022	MOTOR 1/4 HP, 8 PL, 460V (M9, M10, M11, M14, M15, M16)
41	0163M00006P	ACORN NUT 5/16 HEX BLACK (QTY 4)
51	B1086750	FAN BLADE 22", 3 BLADE, 24° (M6, M7, M8)
51	10625738	FAN BLADE 26" ALUM C CW (M12, M13, M14, M15, M16)
51	B1086764	FAN BLADE TYPE 2 (M1, M2, M3, M4, M5)
51	B1086765	FAN BLADE TYPE 3 (M9, M10, M11)
61	0161L00000	VENTURI RING 22" (M1, M2, M3, M4, M5, M6, M7, M8, M9, M10, M11)
61	0161R00007P	VENTURI RING 35" (M12, M13, M14, M15, M16)
111	0121R00202PNGB	LOUVERED SIDE PNL [LT OF CNTL PNL] (M8, M11)
111	0121R00209PNGB	LOUVERED SIDE PNL [LT OF CNTL PNL] (M3, M4, M5)
111	0121R00228PNGB	LOUVERED SIDE PNL [LT OF CNTL PNL] (M12, M13, M14, M15, M16)
121	0121R00205PNGB	LOUVERED SIDE PNL (M8, M11)
121	0121R00210PNGB	LOUVERED SIDE PNL (M3, M4, M5)
121	0121R00231PNGB	LOUVERED SIDE PNL (M12, M13, M14, M15, M16)
131	0121R00234PNG	LOUVERED SIDE PNL [RT OF CNTL PNL] (M12, M13, M14, M15, M16)
131	0121R00194PNG	LOUVERED SIDE PNL [RT OF CNTL PNL] (M8, M11)
131	0121R00211PNG	LOUVERED SIDE PNL [RT OF CNTL PNL] (M3, M4, M5)
141	0201R00311	COIL TUBING ASSY (M12, M14)
141	0201R00336	COIL TUBING ASSY (M7, M8, M10, M11)
141	0201R00337	COIL TUBING ASSY (M6, M9)
141	0201R00385	COIL TUBING ASSY (M13, M15, M16)
141	0201R00464	COIL TUBING ASSY (M2, M3, M4, M5)
141	0201R00272	TUBING ASSY, COND COIL (M1)
NS	0161R00002P	CONDUIT (M1, M2, M3, M4, M5, M6, M7, M8, M9, M10, M11)
NS	0161R00004P	CONDUIT (M12, M13, M14, M15, M16)
NS	B1789886	FLOW CHECK PISTON KIT (M12, M13, M14, M15, M16)
NS	B1789870	FLOW CHECK PISTON KIT .070 (M1, M2, M3, M4, M5)
NS	B1789880	FLOW CHECK PISTON KIT .080 (M6, M7, M8, M9, M10, M11)

Expanded Model Nomenclature

M1 - DX13SA0363AA
M2 - DX13SA0363AB
M3 - DX13SA0363AC
M4 - DX13SA0363AD
M5 - DX13SA0364AA
M6 - DX13SA0483AA
M7 - DX13SA0483AB
M8 - DX13SA0483AC
M9 - DX13SA0484AA
M10 - DX13SA0484AB
M11 - DX13SA0484AC
M12 - DX13SA0603AA
M13 - DX13SA0603AB
M14 - DX13SA0604AA
M15 - DX13SA0604AB
M16 - DX13SA0604AC

Image 2:

112	0121R00348PNG	LOUVER POST (M1, M2)
112	0121R00352PNG	LOUVER POST (M6, M7, M9, M10)
122	0121R00340PNGRS	LOUVER PANEL RIGHT (M1, M2)
122	0121R00344PNGRS	LOUVER PANEL RIGHT (M6, M7, M9, M10)
132	0121R00340PNGLS	LOUVER PANEL LEFT (M1, M2)
132	0121R00344PNGLS	LOUVER PANEL LEFT (M6, M7, M9, M10)