

---

## DX13SA Remote Air Conditioner

DX13SA0181AF  
DX13SA0241AF  
DX13SA0301AE  
DX13SA0361AF  
DX13SA0421AF  
DX13SA0481AE  
DX13SA0611AD



This manual is to be used by qualified technicians only.

# Important Information

---

## Index

Functional Parts List .....	3
Illustration and Parts .....	4 - 9

*Views shown are for parts illustrations only, not servicing procedures.*

### Text Codes:

AR - As Required

NA - Not Available

NS - Not Shown

00000000 - See Note

QTY - Quantity Example (QTY 3) (If Quantity not shown, Quantity = 1)

M - Model Example (M1) (If M Code not shown, then part is used on all Models)

### Expanded Model Nomenclature:

Example
M1 - Model#1
M2 - Model#2
M3 - Model#3

Daikin Comfort Technologies Manufacturing , L.P. is not responsible for personal injury or property damage resulting from improper service. Review all service information before beginning repairs.

Warranty service must be performed by an authorized technician, using authorized factory parts. If service is required after the warranty expires, Daikin Comfort Technologies Manufacturing , L.P. also recommends contacting an authorized technician and using authorized factory parts.

Daikin Comfort Technologies Manufacturing , L.P. reserves the right to discontinue, or change at any time, specifications or designs without notice or without incurring obligations.

For assistance within the U.S.A. contact:  
Homeowner Support  
Daikin Comfort Technologies Manufacturing , L.P.  
19001 Kermier Road  
Waller, Texas 77484  
855-770-5678-Telephone  
713-863-2382-Facsimile

For assistance outside the U.S.A. contact:  
International Division  
Daikin Comfort Technologies Manufacturing , L.P.  
19001 Kermier Road  
Waller, Texas 77484  
713-861-2500-Telephone  
713-863-2382-Facsimile

# Functional Parts

## Part

## No: Description:

---

0131M00811	1/8 HP 8 PL PSC MOTOR (M1, M2, M3)
0151R00185	BASE VALVE 3/4" (M1, M2, M3, M4)
0151R00187	BASE VALVE 3/8"
0151R00186	BASE VALVE 7/8" (M5, M6, M7)
0150M00012	BLADE-FAN 20" CCW (M3)
CAP050350440CS	CAP, 5/35 MFD/440V/DUAL RD (M2)
CAB050400440CT	CAP, 5/40 MFD/440V RD - BPRF (M3)
CAB050450440CT	CAP, 5/45 MFD/440V RD - BPRF (M4, M5, M6)
CAB050700440CT	CAP, 5/70 MFD/440V RD - BPRF (M7)
CAP050300440CS	CAP,5/30MFD/440V/DUAL RD (M1)
ZP16K5EPFV130	COMP,15500,208/230/60/1 (M1)
ZP20K5EPFV130	COMP,20000,208/230/60/1 (M2)
ZP24K5EPFV130	COMP,24000,208/230/60/1 (M3)
ZP29K5EPFV130	COMP,29000,208/230/60/1 (M4)
ZP34K5EPFV130	COMP,34500,208/230/60/1 (M5)
ZP39K5EPFV130	COMP,39000,208/230/60/1 (M6)
ZP51K5EPFV130	COMP,51000,208/230/60/1 (M7)
CONT1P030024V	CONT, 1 POLE, 30 AMP, 24 VAC
571006600	CoreSense Module
0150M00041	FAN BLADE (M4)
0150M00018	FAN BLADE 20" (M1, M2)
0150M00066	FAN BLADE, 26" (M7)
B1086765	FAN BLADE, TYPE 3 (M5, M6)
B1789886	FLOW CHECK PISTON KIT (M7)
B1789857	FLOW CHECK PISTON KIT .057 (M2)
B1789861	FLOW CHECK PISTON KIT .061 (M3)
B1789870	FLOW CHECK PISTON KIT .070 (M4)
B1789876	FLOW CHECK PISTON KIT .076 (M5)
B1789880	FLOW CHECK PISTON KIT .080 (M6)
0130M00082	LOW PRESSURE SWITCH
0131M00813	MOTOR, 1/4HP, 1SP, 6PL (M4)
0131M00807	MOTOR, 1/4HP,1SP,8PL,AL (M5, M6, M7)

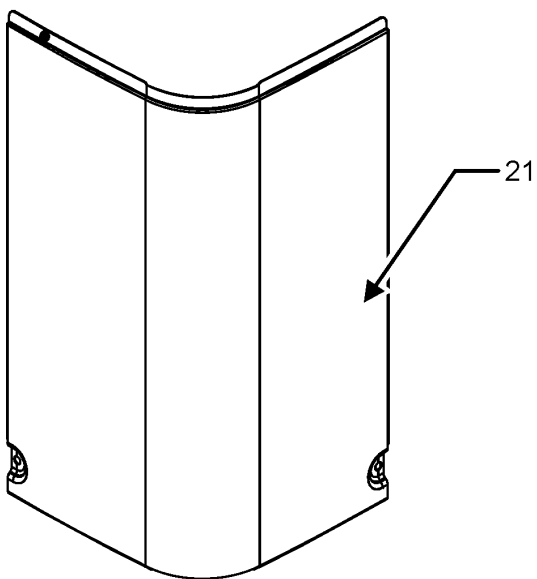
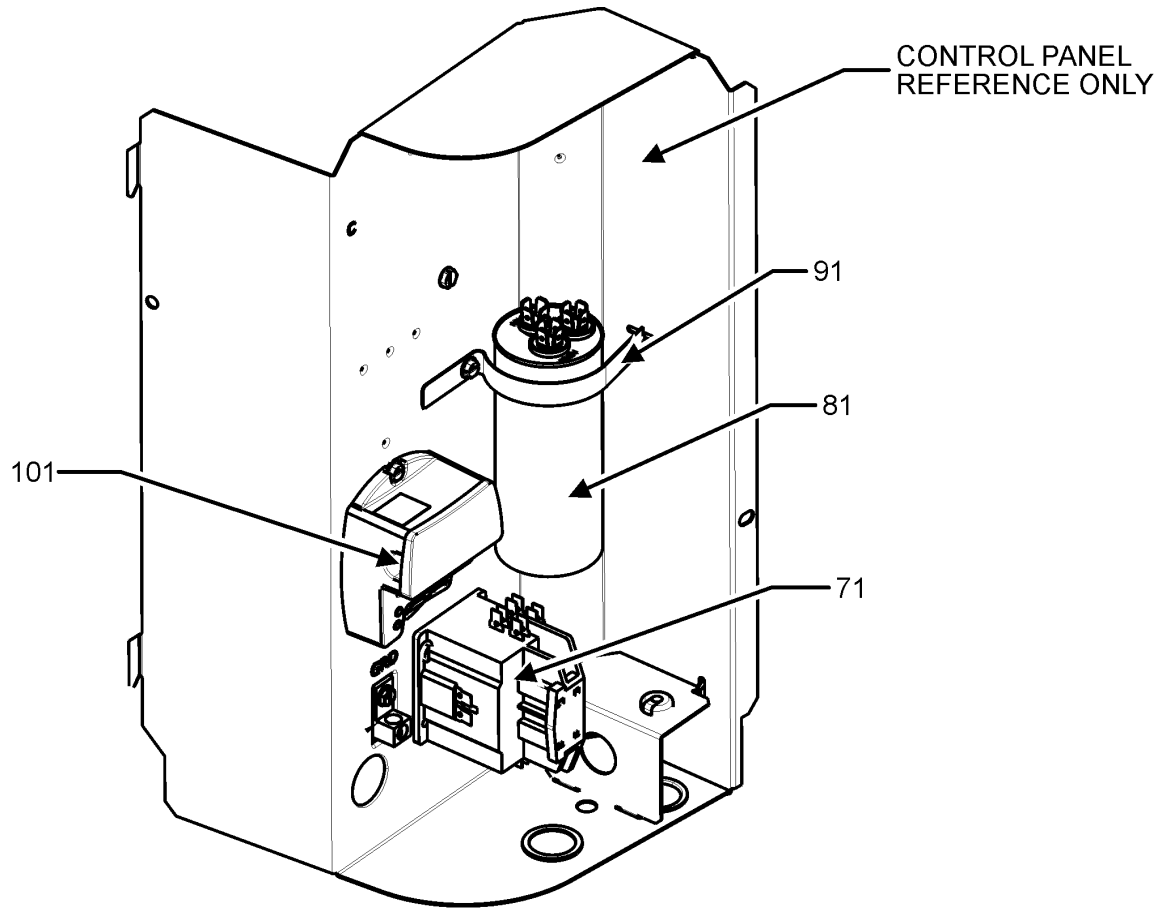
### SPECIAL PARTS

0161R00095	CAP, GRILL
0161R00093	NAMEPLATE, DAIKIN

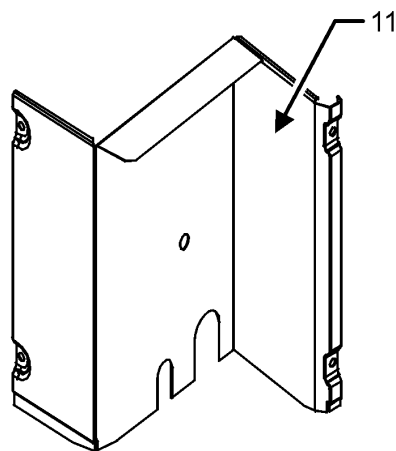
### Expanded Model Nomenclature

M1 - DX13SA0181AF
M2 - DX13SA0241AF
M3 - DX13SA0301AE
M4 - DX13SA0361AF
M5 - DX13SA0421AF
M6 - DX13SA0481AE
M7 - DX13SA0611AD

# Control Box Assembly



UPPER ACCESS COVER



LOWER ACCESS PANEL

# Control Box Assembly

Ref. Part No:	No:	Description:	Ref. Part No:	No:	Description:
---------------	-----	--------------	---------------	-----	--------------

---

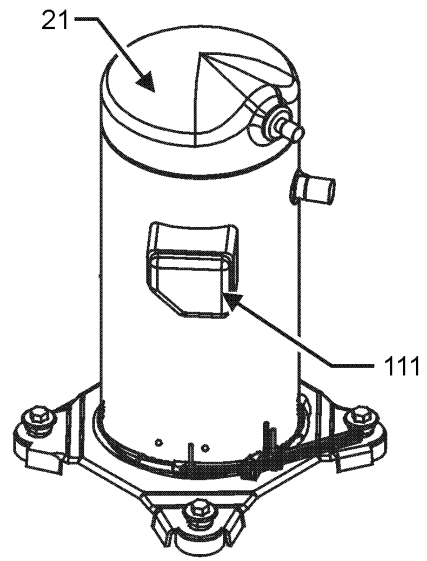
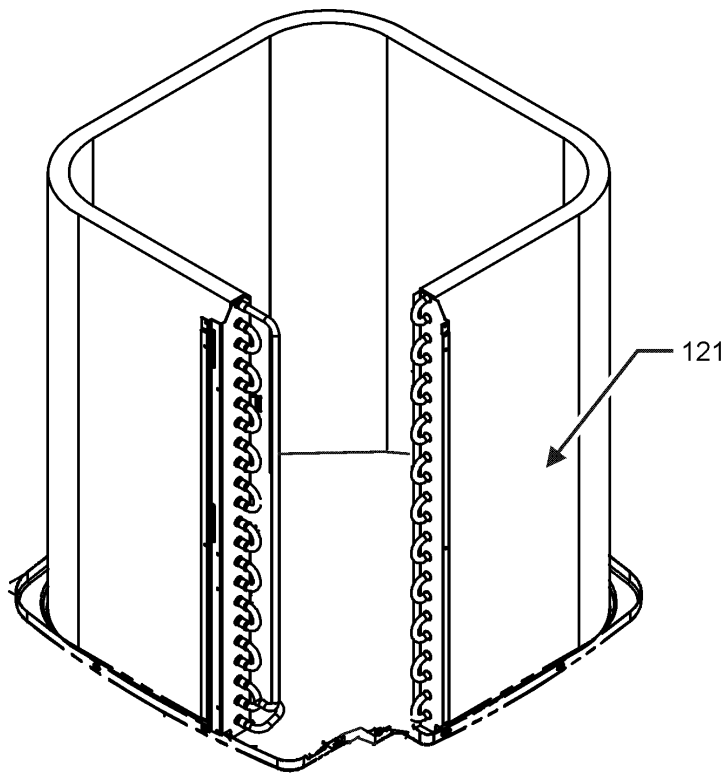
## Image 1:

11	0121R00912PNG	PNL, LWR ACCESS (M5, M6, M7)
11	0121R00915PNG	PNL, LWR ACCESS (M1, M2, M3, M4)
21	0121R00937PNG	CONTROL COVER, SMALL PNT
71	CONT1P030024V	CONT, 1 POLE, 30 AMP, 24 VAC
81	4400065	CAPACITOR STRAP
91	CAP050350440CS	CAP, 5/35 MFD/440V/DUAL RD (M2)
91	CAB050400440CT	CAP, 5/40 MFD/440V RD - BPRF (M3)
91	CAB050450440CT	CAP, 5/45 MFD/440V RD - BPRF (M4, M5, M6)
91	CAB050700440CT	CAP, 5/70 MFD/440V RD - BPRF (M7)
91	CAP050300440CS	CAP,5/30MFD/440V/DUAL RD (M1)
101	571006600	CoreSense Module
NS	0161R00093	NAMEPLATE, DAIKIN

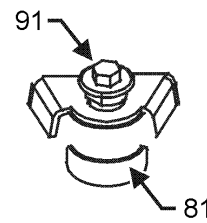
## Expanded Model Nomenclature

M1 - DX13SA0181AF
M2 - DX13SA0241AF
M3 - DX13SA0301AE
M4 - DX13SA0361AF
M5 - DX13SA0421AF
M6 - DX13SA0481AE
M7 - DX13SA0611AD

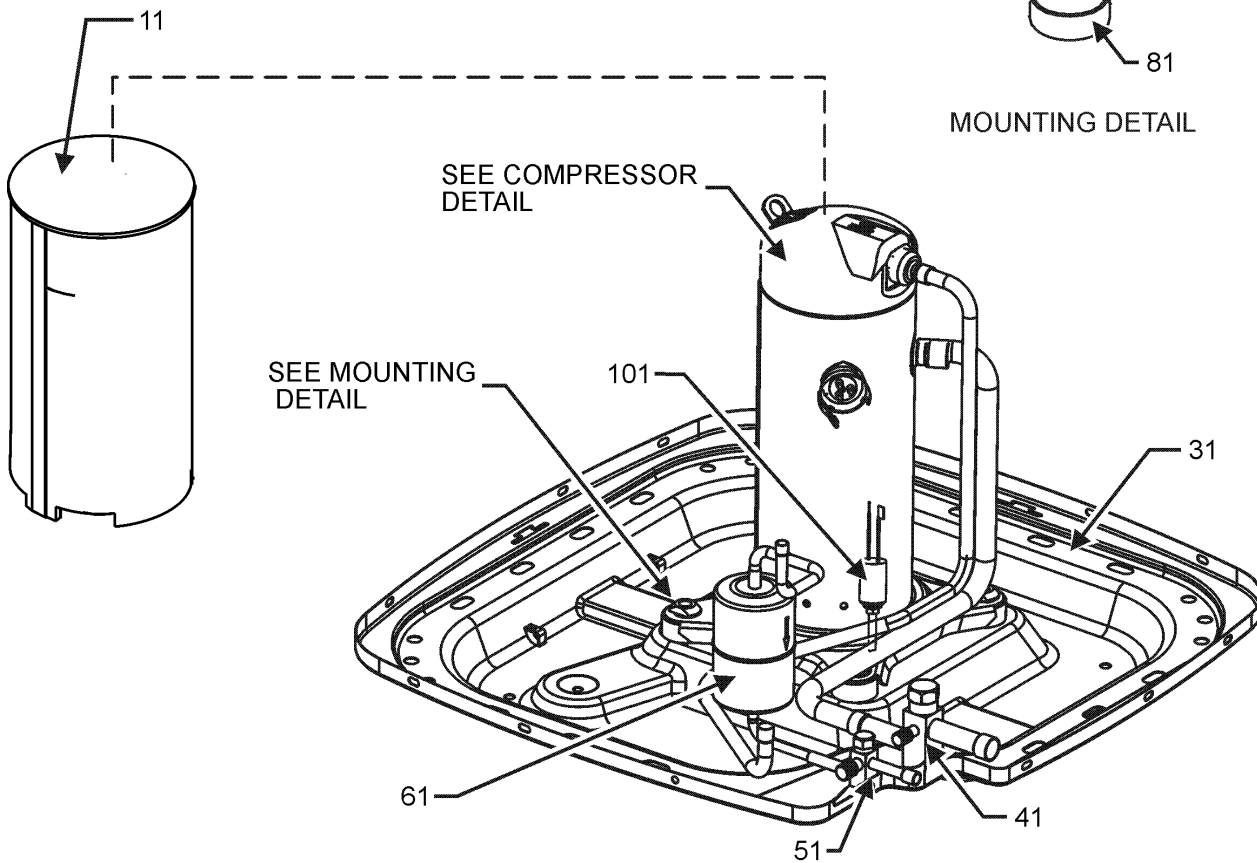
# Compressor and Tubing Assembly



COMPRESSOR DETAIL



MOUNTING DETAIL



# Compressor and Tubing Assembly

Ref. Part No:	Ref. Part No:	Description:	Description:
---------------	---------------	--------------	--------------

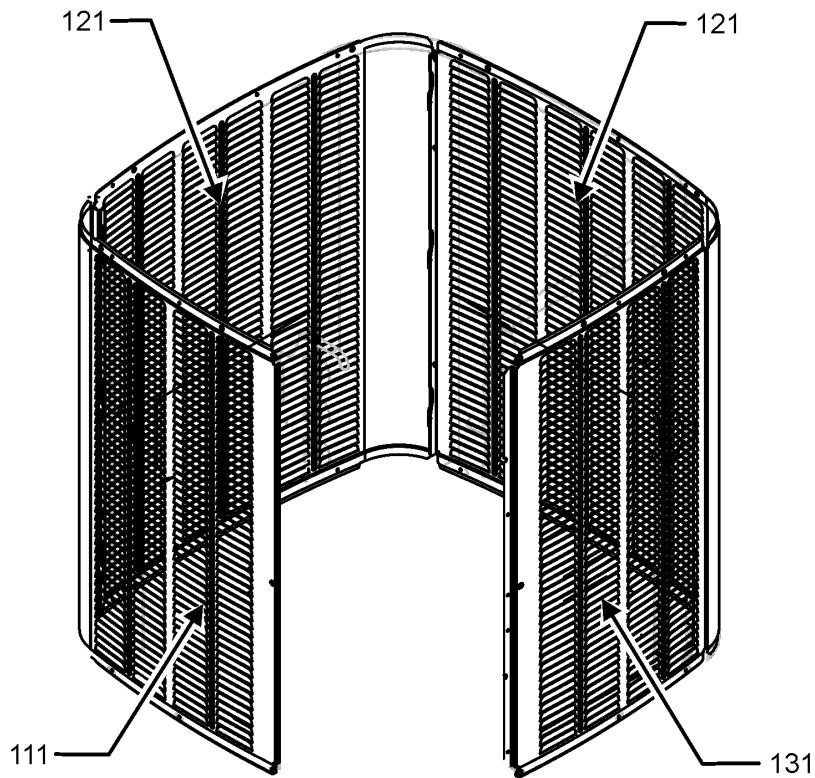
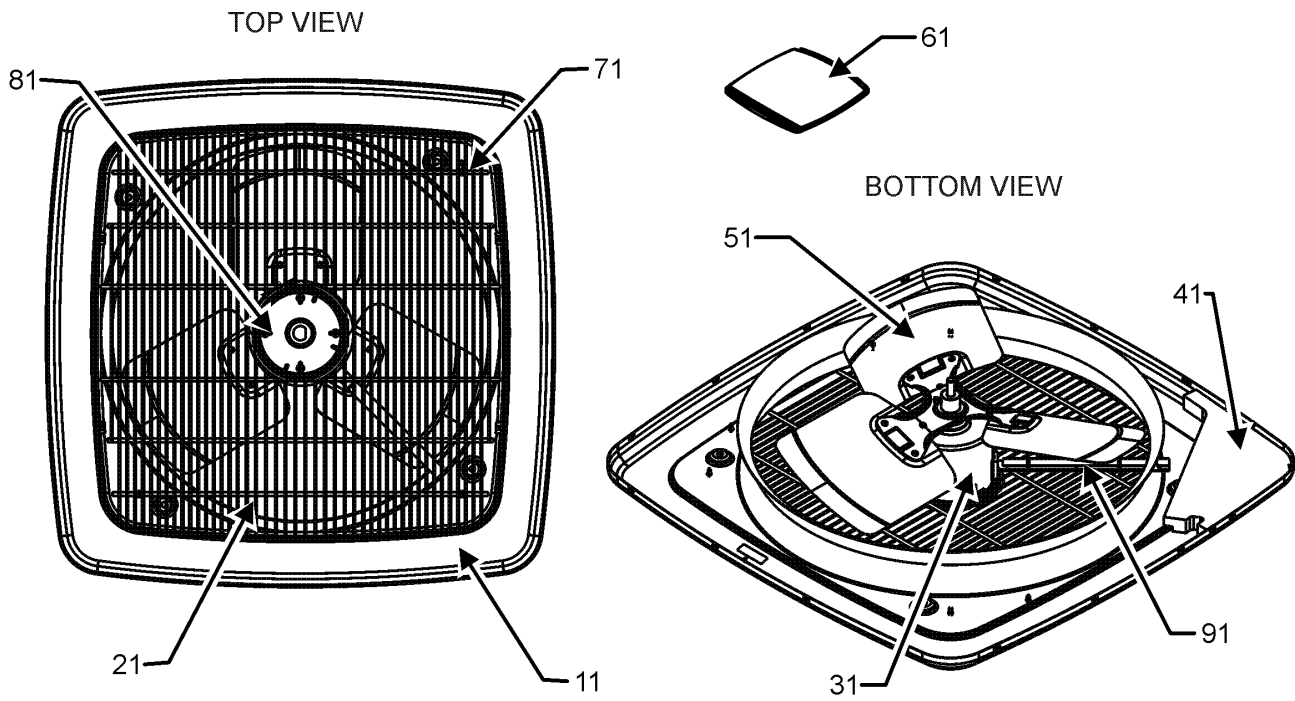
**Image 1:**

11	0160M00035	COMPRESSOR BLANKET (M1, M2, M3, M4)
11	0160M00039	COMPRESSOR BLANKET (M5, M6, M7)
21	ZP16K5EPFV130	COMP,15500,208/230/60/1 (M1)
21	ZP20K5EPFV130	COMP,20000,208/230/60/1 (M2)
21	ZP24K5EPFV130	COMP,24000,208/230/60/1 (M3)
21	ZP29K5EPFV130	COMP,29000,208/230/60/1 (M4)
21	ZP34K5EPFV130	COMP,34500,208/230/60/1 (M5)
21	ZP39K5EPFV130	COMP,39000,208/230/60/1 (M6)
21	ZP51K5EPFV130	COMP,51000,208/230/60/1 (M7)
31	0121R00005PNG	BASE PAN, 26" PNT (M1, M2, M3, M4)
31	0121R00006PNG	BASE PAN, 29" PNT (M5, M6)
31	0121R00007PNG	BASE PAN, 35.5" PNT (M7)
41	0151R00185	BASE VALVE 3/4" (M1, M2, M3, M4)
41	0151R00186	BASE VALVE 7/8" (M5, M6, M7)
51	0151R00187	BASE VALVE 3/8"
61	0162R00057	FILTER DRIER
81	B1339533	COMPRESSOR GROMMET (QTY 4)
91	M0221641	TF SHOULDER SCREW (QTY 4)
101	0130M00082	LOW PRESSURE SWITCH
111	0159R00000P	HARNESS, COMP SCROLL 130 36" (M1, M2, M3, M4)
111	0159R00001P	HARNESS, COMP SCROLL 130 42" (M5, M6)
111	0159R00002P	HARNESS, COMP SCROLL 130 46" (M7)
121	0201R00385	COIL TUBING ASSY (M7)
121	0201R00458	COIL TUBING ASSY (M3, M4)
121	0201R00472	COIL TUBING ASSY (M5, M6)
121	0201R00510	COIL TUBING ASSY (M1, M2)
NS	B1789886	FLOW CHECK PISTON KIT (M7)
NS	B1789851	FLOW CHECK PISTON KIT .051 (M1)
NS	B1789857	FLOW CHECK PISTON KIT .057 (M2)
NS	B1789861	FLOW CHECK PISTON KIT .061 (M3)
NS	B1789870	FLOW CHECK PISTON KIT .070 (M4)
NS	B1789876	FLOW CHECK PISTON KIT .076 (M5)
NS	B1789880	FLOW CHECK PISTON KIT .080 (M6)

**Expanded Model Nomenclature**

- |                   |
|-------------------|
| M1 - DX13SA0181AF |
| M2 - DX13SA0241AF |
| M3 - DX13SA0301AE |
| M4 - DX13SA0361AF |
| M5 - DX13SA0421AF |
| M6 - DX13SA0481AE |
| M7 - DX13SA0611AD |

# Cabinet Top and Side Panel Assembly



LOUVER PANEL ASSEMBLY

# Cabinet Top and Side Panel Assembly

Ref. Part No: No:	Description:	Ref. Part No: No:	Description:
-------------------	--------------	-------------------	--------------

**Image 1:**

11	0121R00009PNG	TOP PANEL, VENTURI 26" PNT (M1, M2, M3, M4)
11	0121R00011PNG	TOP PANEL, VENTURI 29" PNT (M5, M6)
11	0121R00013PNG	TOP PANEL, VENTURI 35" PNT (M7)
21	0152R00010	GRILLE, WIRE 26" TOP (M1, M2, M3, M4)
21	0152R00015	GRILLE, WIRE 29" TOP (M5, M6)
21	0152R00016	GRILLE, WIRE 35" TOP (M7)
31	0131M00811	1/8 HP 8 PL PSC MOTOR (M1, M2, M3)
31	0131M00813	MOTOR, 1/4HP, 1SP, 6PL (M4)
31	0131M00807	MOTOR, 1/4HP, 1SP, 8PL, AL (M5, M6, M7)
41	0154R00045	GASKET, CONTROL PANEL
51	0150M00012	BLADE-FAN 20" CCW (M3)
51	0150M00041	FAN BLADE (M4)
51	0150M00018	FAN BLADE 20" (M1, M2)
51	0150M00066	FAN BLADE, 26" (M7)
51	B1086765	FAN BLADE, TYPE 3 (M5, M6)
61	0161R00095	CAP, GRILL
71	0163M00003P	SCREW #10 X 1/2, A, SLOT, SR, BLACK (QTY 6)
81	M0280801	HEX NUT (QTY 4)
91	0161R00000P	CONDUIT (M1, M2, M3, M4)
91	0161R00002P	CONDUIT (M5, M6)
91	0161R00004P	CONDUIT (M7)
111	0121R00202PNG	PANEL 1, BENT LOUVER PNT (M5, M6)
111	0121R00207PNG	PANEL 1, BENT LOUVER PNT (M1, M2, M3, M4)
111	0121R00239PNG	PANEL 1, BENT LOUVER PNT (M7)
121	0121R00198PNG	PANEL 2, BENT LOUVER (M1, M2, M3, M4)
121	0121R00205PNG	PANEL 2, BENT LOUVER (M5, M6)
121	0121R00243PNG	PANEL 2, BENT LOUVER (M7)
131	0121R00194PNG	PANEL 3, LOUVER (M5, M6)
131	0121R00196PNG	PANEL 3, LOUVER (M1, M2, M3, M4)
131	0121R00247PNG	PANEL 3, LOUVER (M7)

**Expanded Model Nomenclature**

M1 - DX13SA0181AF
M2 - DX13SA0241AF
M3 - DX13SA0301AE
M4 - DX13SA0361AF
M5 - DX13SA0421AF
M6 - DX13SA0481AE
M7 - DX13SA0611AD