

DX13SA Remote Air Conditioner

DX13SA0181AD
DX13SA0181AE
DX13SA0181AG
DX13SA0241AD
DX13SA0241AE
DX13SA0241AG
DX13SA0301AC
DX13SA0301AD
DX13SA0301AF
DX13SA0361AD
DX13SA0361AE
DX13SA0361AH
DX13SA0363AE
DX13SA0421AC
DX13SA0421AD
DX13SA0421AE
DX13SA0421AG
DX13SA0481AC
DX13SA0481AD
DX13SA0481AF
DX13SA0601AC
DX13SA0601AD
DX13SA0603AE
DX13SA0611AC
DX13SA0611AE



This manual is to be used by qualified technicians only.

This manual replaces RP-D4312B.

Important Information

Index

Functional Parts List	3
Illustration and Parts	4 - 9

Views shown are for parts illustrations only, not servicing procedures

Text Codes:

AR - As Required

NA - Not Available

NS - Not Shown

00000000 - See Note

QTY - Quantity Example (QTY 3) (If Quantity not shown, Quantity = 1)

M - Model Example (M1) (If M Code not shown, then part is used on all Models)

Expanded Model Nomenclature:

Example M1 - Model#1 M2 - Model#2 M3 - Model#3

Daikin Manufacturing Company, L.P. is not responsible for personal injury or property damage resulting from improper service. Review all service information before beginning repairs.

Warranty service must be performed by an authorized technician, using authorized factory parts. If service is required after the warranty expires, Daikin Manufacturing Company, L.P. also recommends contacting an authorized technician and using authorized factory parts.

Daikin Manufacturing Company, L.P. reserves the right to discontinue, or change at any time, specifications or designs without notice or without incurring obligations.

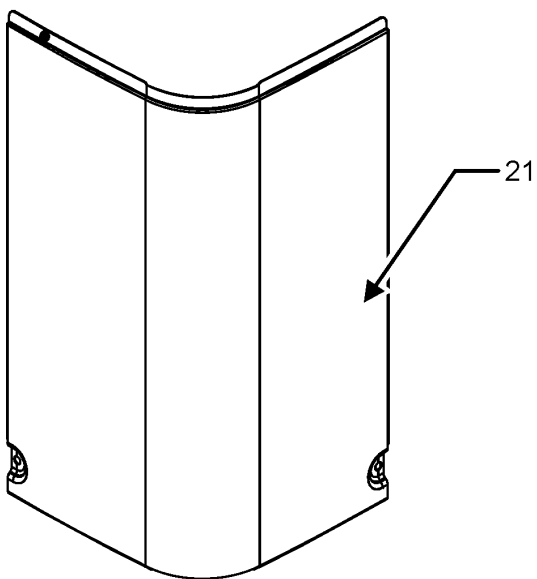
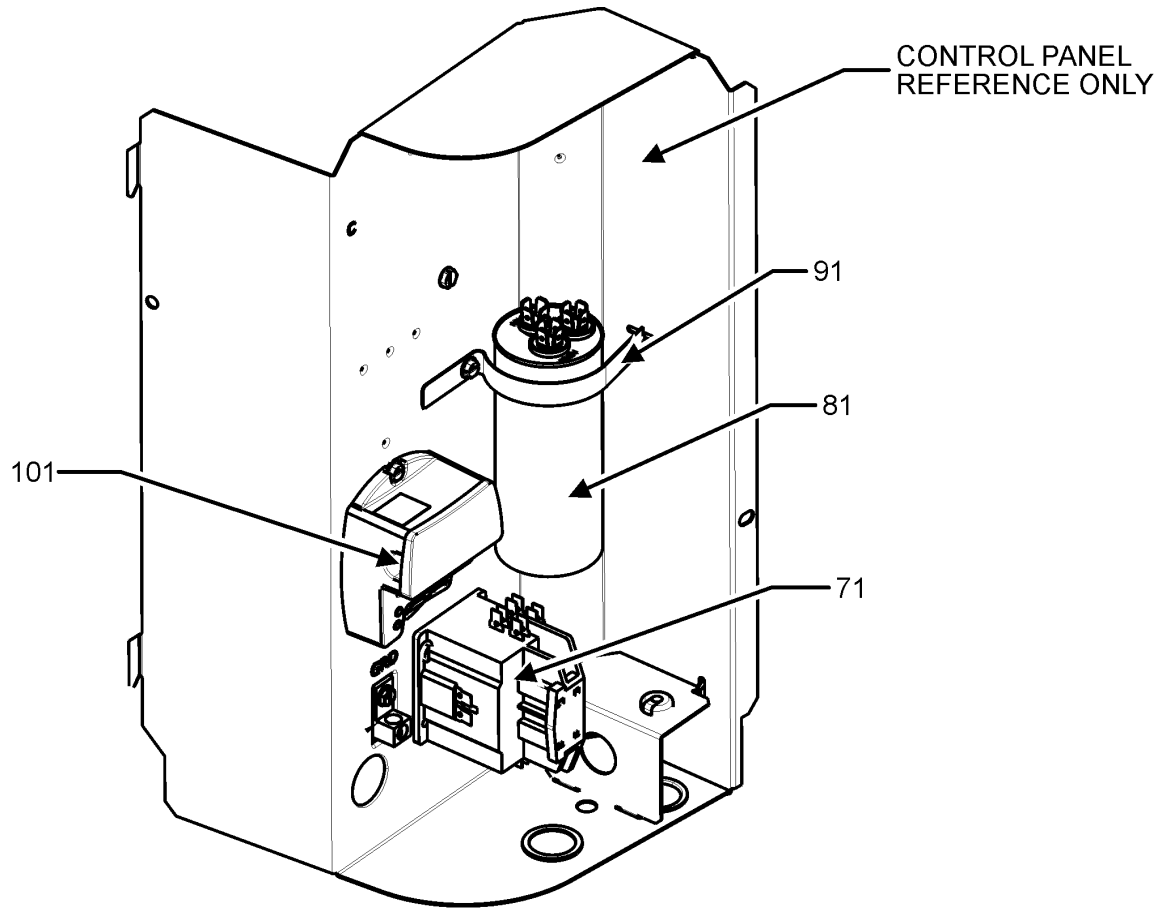
For assistance within the U.S.A. contact:

Homeowner Support
Daikin North America, LLC
19001 Kermier Road
Waller, Texas 77484
855-770-5678-Telephone
713-863-2382-Facsimile

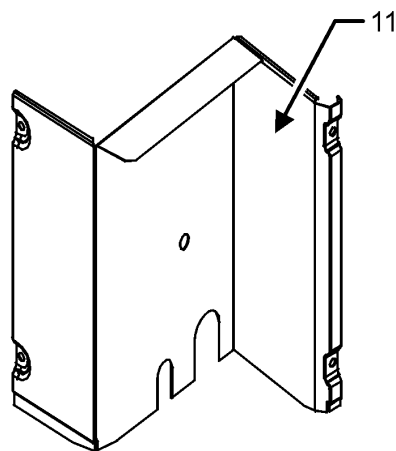
For assistance outside the U.S.A. contact:

International Division
Daikin North America, LLC
19001 Kermier Road
Waller, Texas 77484
713-861-2500-Telephone
713-863-2382-Facsimile

Control Box Assembly



UPPER ACCESS COVER

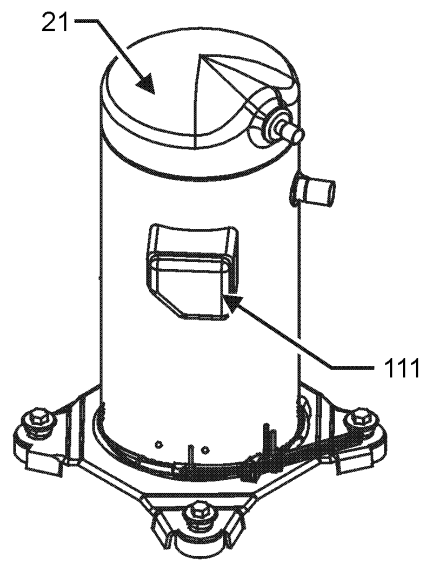
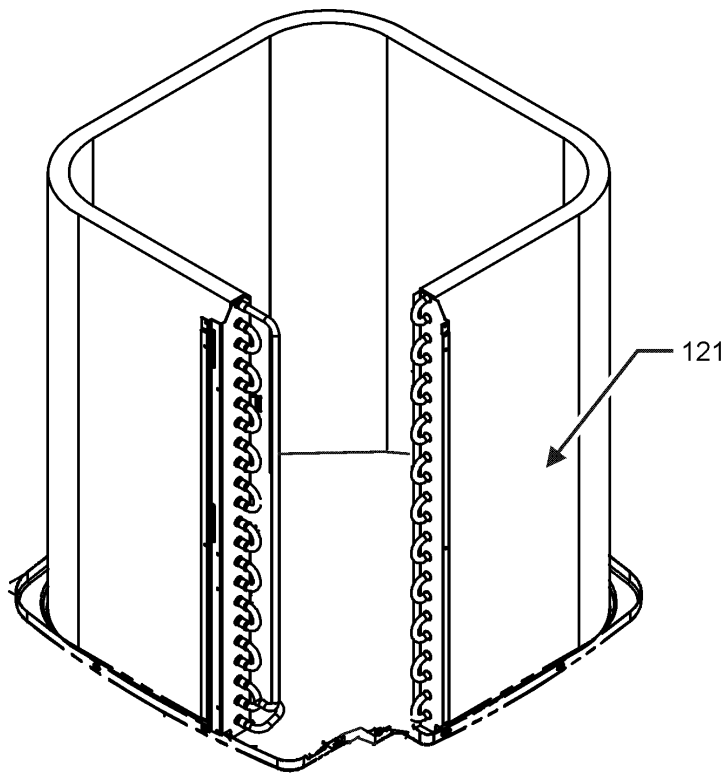


LOWER ACCESS PANEL

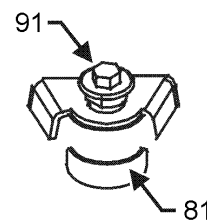
Control Box Assembly

Ref. Part No:	No:	Description:	Ref. Part No:	No:	Description:
Image 1:			Expanded Model Nomenclature		
11	0121R00316PNG	PANEL, LOWER ACCESS PNT (M21, M22)	M1	-	DX13SA0181AD
11	0121R00912PNG	PNL, LWR ACCESS (M14, M15, M16, M17, M18, M19, M20, M23, M24, M25)	M2	-	DX13SA0181AE
11	0121R00914PNG	PNL, LWR ACCESS (M13)	M3	-	DX13SA0181AG
11	0121R00915PNG	PNL, LWR ACCESS (M1, M2, M3, M4, M5, M6, M7, M8, M9, M10, M11, M12)	M4	-	DX13SA0241AD
21	0121R00053PNG	CONTROL COVER, SMALL PNT	M5	-	DX13SA0241AE
71	CONT1P025024V	CONT, 1 POLE, 25 AMP, 24 VAC (M1, M2, M3, M4, M5, M6, M7, M8, M9, M10, M11, M12, M14, M15, M16, M17)	M6	-	DX13SA0241AG
71	CONT1P030024V	CONT, 1 POLE, 30 AMP, 24 VAC (M18, M19, M20, M21, M22, M24, M25)	M7	-	DX13SA0301AC
71	CONT3P025024V	CONT, 3 POLE, 25 AMP, 24 VAC (M13, M23)	M8	-	DX13SA0301AD
81	4400065	CAPACITOR STRAP	M9	-	DX13SA0301AF
91	CAP050000370LA	CAP, 5 MFD/370V/OVAL (M13, M23)	M10	-	DX13SA0361AD
91	CAP050350440CS	CAP, 5/35 MFD/440V/DUAL RD (M4, M5, M6)	M11	-	DX13SA0361AE
91	CAP050400440CT	CAP, 5/40 MFD/440V/DUAL RD (M7, M8, M9)	M12	-	DX13SA0361AH
91	CAP050450440CT	CAP, 5/45 MFD/440V/DUAL RD (M10, M11, M12, M14, M15, M16, M17, M18, M19, M20)	M13	-	DX13SA0363AE
91	CAP050700440CT	CAP, 5/70 MFD/440V/DUAL RD (M21, M22, M24, M25)	M14	-	DX13SA0421AC
91	CAP050300440CS	CAP,5/30MFD/440V/DUAL RD (M1, M2, M3)	M15	-	DX13SA0421AD
101	571006600	CoreSense Module (M1, M2, M3, M4, M5, M6, M7, M8, M9, M10, M11, M12, M14, M15, M16, M17, M18, M19, M20, M21, M22, M24, M25)	M16	-	DX13SA0421AE
NS	0161R00093	NAMEPLATE, DAIKIN	M17	-	DX13SA0421AG
			M18	-	DX13SA0481AC
			M19	-	DX13SA0481AD
			M20	-	DX13SA0481AF
			M21	-	DX13SA0601AC
			M22	-	DX13SA0601AD
			M23	-	DX13SA0603AE
			M24	-	DX13SA0611AC
			M25	-	DX13SA0611AE

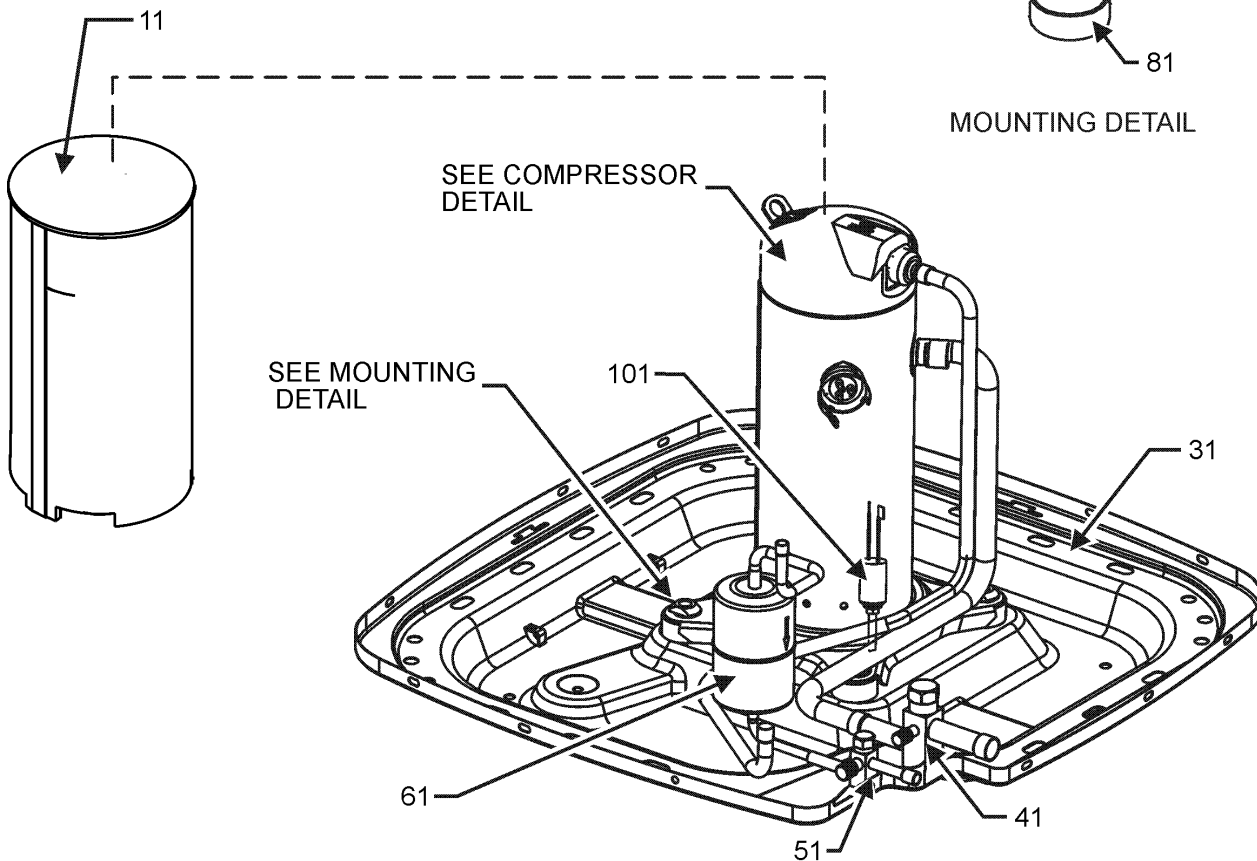
Compressor and Tubing Assembly



COMPRESSOR DETAIL



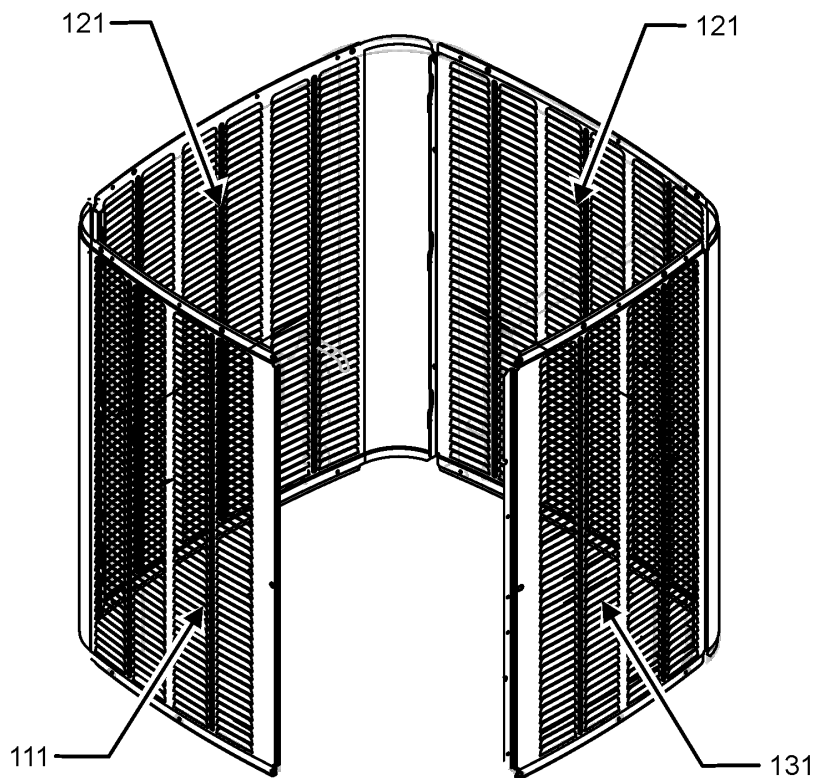
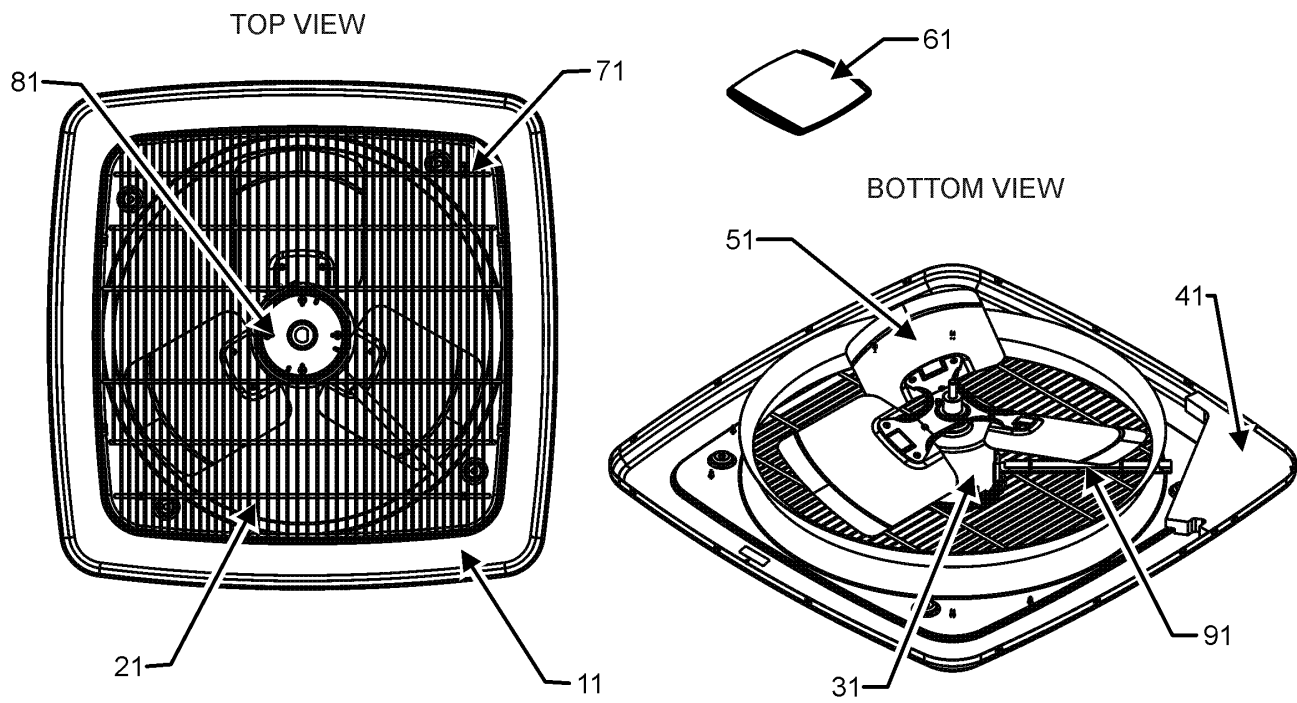
MOUNTING DETAIL



Compressor and Tubing Assembly

Ref. Part No:	No:	Description:	Ref. Part No:	No:	Description:
Image 1:			Expanded Model Nomenclature		
11	0160M00035	COMPRESSOR BLANKET (M1, M2, M3, M4, M5, M6, M7, M8, M9, M10, M11, M12)	M1	-	DX13SA0181AD
11	0160M00039	COMPRESSOR BLANKET (M14, M15, M16, M17, M18, M19, M20, M21, M22, M24, M25)	M2	-	DX13SA0181AE
21	ZP31K5ETF5130	COMP, 31200,200/230/60/3 (M13)	M3	-	DX13SA0181AG
21	ZP16K5EPFV130	COMP,15500,208/230/60/1 (M1, M2, M3)	M4	-	DX13SA0241AD
21	ZP20K5EPFV130	COMP,20000,208/230/60/1 (M4, M5, M6)	M5	-	DX13SA0241AE
21	ZP24K5EPFV130	COMP,24000,208/230/60/1 (M7, M8, M9)	M6	-	DX13SA0241AG
21	ZP29K5EPFV130	COMP,29000,208/230/60/1 (M10, M11, M12)	M7	-	DX13SA0301AC
21	ZP34K5EPFV130	COMP,34500,208/230/60/1 (M14, M15, M16, M17)	M8	-	DX13SA0301AD
21	ZP39K5EPFV130	COMP,39000,208/230/60/1 (M18, M19, M20)	M9	-	DX13SA0301AF
21	ZP49K5EPFV130	COMP,49400,208/230/60/1 (M21, M22)	M10	-	DX13SA0361AD
21	ZP51K5EPFV130	COMP,51000,208/230/60/1 (M24, M25)	M11	-	DX13SA0361AE
21	ZP51K5ETF5130	COMP,51000,208/230/60/3 (M23)	M12	-	DX13SA0361AH
31	0121R00005PNG	BASE PAN, 26" PNT (M1, M2, M3, M4, M5, M6, M7, M8, M9, M10, M11, M12)	M13	-	DX13SA0363AE
31	0121R00006PNG	BASE PAN, 29" PNT (M13, M14, M15, M16, M17, M18, M19, M20, M21, M22)	M14	-	DX13SA0421AC
31	0121R00007PNG	BASE PAN, 35.5" PNT (M23, M24, M25)	M15	-	DX13SA0421AD
41	0151R00185	BASE VALVE 3/4" (M1, M2, M3, M4, M5, M6, M7, M8, M9, M10, M11, M12, M13)	M16	-	DX13SA0421AE
41	0151R00186	BASE VALVE 7/8" (M14, M15, M16, M17, M18, M19, M20, M21, M22, M23, M24, M25)	M17	-	DX13SA0421AG
51	0151R00187	BASE VALVE 3/8"	M18	-	DX13SA0481AC
61	0162R00057	FILTER DRIER	M19	-	DX13SA0481AD
81	B1339533	COMPRESSOR GROMMET (QTY 4)	M20	-	DX13SA0481AF
91	M0221641	TF SHOULDER SCREW (QTY 4)	M21	-	DX13SA0601AC
101	0130M00082	LOW PRESSURE SWITCH (M1, M2, M3, M4, M5, M6, M7, M8, M9, M10, M11, M12, M14, M15, M16, M17, M18, M19, M20, M21, M22, M24, M25)	M22	-	DX13SA0601AD
111	0159R00008	HARNESS, COMP (M13)	M23	-	DX13SA0603AE
111	0159R00009	HARNESS, COMP (M23)	M24	-	DX13SA0611AC
111	0159R00000P	HARNESS, COMP SCROLL 130 36" (M1, M2, M3, M4, M5, M6, M7, M8, M9, M10, M11, M12)	M25	-	DX13SA0611AE
111	0159R00001P	HARNESS, COMP SCROLL 130 42" (M14, M15, M16, M17, M18, M19, M20)			
111	0159R00017	HARNESS, COMP-SCROLL (M21, M22, M24, M25)			
121	0201R00349	COIL TUBING ASSY (M21, M22)			
121	0201R00385	COIL TUBING ASSY (M23, M24, M25)			
121	0201R00458	COIL TUBING ASSY (M7, M8, M9, M10, M11, M12)			
121	0201R00464	COIL TUBING ASSY (M13)			
121	0201R00472	COIL TUBING ASSY (M14, M15, M16, M17, M18, M19, M20)			
121	0201R00510	COIL TUBING ASSY (M1, M2, M3, M4, M5, M6)			
NS	B1789886	FLOW CHECK PISTON KIT (M21, M22, M23, M24, M25)			
NS	B1789851	FLOW CHECK PISTON KIT .051 (M1, M2, M3)			
NS	B1789857	FLOW CHECK PISTON KIT .057 (M4, M5, M6)			
NS	B1789861	FLOW CHECK PISTON KIT .061 (M7, M8, M9)			
NS	B1789870	FLOW CHECK PISTON KIT .070 (M10, M11, M12, M13)			
NS	B1789876	FLOW CHECK PISTON KIT .076 (M14, M15, M16, M17)			
NS	B1789880	FLOW CHECK PISTON KIT .080 (M18, M19, M20)			

Cabinet Top and Side Panel Assembly



LOUVER PANEL ASSEMBLY

Cabinet Top and Side Panel Assembly

Ref. Part No:	Ref. Part No:	Description:	Description:	
Image 1:		Image 1:		
11	0121R00010PNG	PANEL, TOP 29" PNT (M13)	121 0121R000210PNG LOUVER SIDE PANEL (M13)	
11	0121R00269PNG	Top Panel, 35" Pnt (M23)	121 0121R00198PNG PANEL 2, BENT LOUVER (M1, M2, M3, M4, M5, M6, M7, M8, M9, M10, M11, M12)	
11	0121R00009PNG	TOP PANEL, VENTURI 26" PNT (M1, M2, M3, M4, M5, M6, M7, M8, M9, M10, M11, M12)	121 0121R00205PNG PANEL 2, BENT LOUVER (M14, M15, M16, M17, M18, M19, M20)	
11	0121R00011PNG	TOP PANEL, VENTURI 29" PNT (M14, M15, M16, M17, M18, M19, M20, M21, M22)	121 0121R00206PNG PANEL 2, BENT LOUVER (M21, M22)	
11	0121R00013PNG	TOP PANEL, VENTURI 35" PNT (M24, M25)	121 0121R00243PNG PANEL 2, BENT LOUVER (M23, M24, M25)	
21	0152R00010	GRILLE, WIRE 26" TOP (M1, M2, M3, M4, M5, M6, M7, M8, M9, M10, M11, M12)	131 0121R00211PNG LOUVER SIDE PANEL (M13, M23, M24, M25)	
21	0152R00015	GRILLE, WIRE 29" TOP (M14, M15, M16, M17, M18, M19, M20, M21, M22)	131 0121R00194PNG PANEL 3, LOUVER (M14, M15, M16, M17, M18, M19, M20)	
21	0152R00016	GRILLE, WIRE 35" TOP (M24, M25)	131 0121R00195PNG PANEL 3, LOUVER (M21, M22)	
21	0161R00007P	RING, VENTURI 35" (M23)	131 0121R00196PNG PANEL 3, LOUVER (M1, M2, M3, M4, M5, M6, M7, M8, M9, M10, M11, M12)	
21	0161L00000	RING-VENTURI 22 (M13)	131 0121R00247PNG PANEL 3, LOUVER (M23, M24, M25)	
31	0131M00266	1/8 HP 8 PL PSC MOTOR (M1, M4, M7)	NS 0163M00005P WASHER, BLACK (.50 OD .218ID) (M13, M23)	
31	0131M00811	1/8 HP 8 PL PSC MOTOR (M2, M5, M8)	Expanded Model Nomenclature	
31	0131M00018P	MOTOR, 1/4HP, 1SP, 6PL (M10)	M1 - DX13SA0181AD	
31	0131M00813	MOTOR, 1/4HP, 1SP, 6PL (M11)	M2 - DX13SA0181AE	
31	0131M00061	MOTOR, 1/4HP, 1SP, 8PL (M15, M19, M22)	M3 - DX13SA0181AG	
31	0131M00968	MOTOR, 1/4HP, 1SP, 8PL, AL (M17, M20, M23, M24)	M4 - DX13SA0241AD	
31	0131M00807	MOTOR, 1/4HP, 1SP, 8PL, AL (M14, M16, M18, M21, M24)	M5 - DX13SA0241AE	
31	0131M00971	MOTOR, 1/6HP, 1SP, 8PL, AL (M13)	M6 - DX13SA0241AG	
31	0131M00969	MOTOR, 1/8HP, 8PL, PSC (M3, M6, M9)	M7 - DX13SA0301AC	
31	0131M00954	MOTOR, OD, PSC, 1/4HP (M12)	M8 - DX13SA0301AD	
41	0154R00006	GASKET, CONTROL PANEL	M9 - DX13SA0301AF	
51	0150M00012	BLADE-FAN 20" CCW (M7, M8, M9)	M10 - DX13SA0361AD	
51	0150M00041	FAN BLADE (M10, M11)	M11 - DX13SA0361AE	
51	0150M00067	FAN BLADE (M12)	M12 - DX13SA0361AH	
51	0150M00018	FAN BLADE 20" (M1, M2, M3, M4, M5, M6)	M13 - DX13SA0363AE	
51	0150M00008	FAN BLADE, 22" TNT2203-25 (M13)	M14 - DX13SA0421AC	
51	0150M00066	FAN BLADE, 26" (M23, M24, M25)	M15 - DX13SA0421AD	
51	B1086765	FAN BLADE, TY PE 3 (M14, M15, M16, M17, M18, M19, M20, M21, M22)	M16 - DX13SA0421AE	
61	0161R00095	CAP, GRILL (M1, M2, M3, M4, M5, M6, M7, M8, M9, M10, M11, M12, M14, M15, M16, M17, M18, M19, M20, M21, M22, M24, M25)	M17 - DX13SA0421AG	
71	0163M00003P	SCREW #10 X 1/2, A, SLOT, SR, BLACK (QTY 6)	M18 - DX13SA0481AC	
81	M0280801	HEX NUT (M1, M2, M3, M4, M5, M6, M7, M8, M9, M10, M11, M12, M14, M15, M16, M17, M18, M19, M20, M21, M22, M24, M25)	M19 - DX13SA0481AD	
81	0163M00006P	NUT, ACORN 5/16 HEX BLACK (M13, M23)	M20 - DX13SA0481AF	
91	0161R00000P	CONDUIT (M1, M2, M3, M4, M5, M6, M7, M8, M9, M10, M11, M12)	M21 - DX13SA0601AC	
91	0161R00002P	CONDUIT (M13, M14, M15, M16, M17, M18, M19, M20, M21, M22)	M22 - DX13SA0601AD	
91	0161R00004P	CONDUIT (M23, M24, M25)	M23 - DX13SA0603AE	
111	0121R00209PNG	LOUVER SIDE PANEL (M13)	M24 - DX13SA0611AC	
111	0121R00202PNG	PANEL 1, BENT LOUVER PNT (M14, M15, M16, M17, M18, M19, M20)	M25 - DX13SA0611AE	
111	0121R00203PNG	PANEL 1, BENT LOUVER PNT (M21, M22)		
111	0121R00207PNG	PANEL 1, BENT LOUVER PNT (M1, M2, M3, M4, M5, M6, M7, M8, M9, M10, M11, M12)		
111	0121R00239PNG	PANEL 1, BENT LOUVER PNT (M23, M24, M25)		