

DX11TA 2-Stage Three Phase Remote Condensing Unit

DX11TA0903AA
DX11TA0904AA
DX11TA1203AA
DX11TA1203AB
DX11TA1204AA



This manual is to be used by qualified technicians only.

This manual replaces RP-D4332.

Important Information

Index

Functional Parts List	3
Illustration and Parts	4 - 9

Views shown are for parts illustrations only, not servicing procedures.

Text Codes:

AR - As Required

NA - Not Available

NS - Not Shown

00000000 - See Note

QTY - Quantity Example (QTY 3) (If Quantity not shown, Quantity = 1)

M - Model Example (M1) (If M Code not shown, then part is used on all Models)

Expanded Model Nomenclature:

Example
M1 - Model#1
M2 - Model#2
M3 - Model#3

Daikin Manufacturing Company, L.P. is not responsible for personal injury or property damage resulting from improper service. Review all service information before beginning repairs.

Warranty service must be performed by an authorized technician, using authorized factory parts. If service is required after the warranty expires, Daikin Manufacturing Company, L.P. also recommends contacting an authorized technician and using authorized factory parts.

Daikin Manufacturing Company, L.P. reserves the right to discontinue, or change at any time, specifications or designs without notice or without incurring obligations.

For assistance within the U.S.A. contact:

Homeowner Support
Daikin North America, LLC
19001 Kermier Road
Waller, Texas 77484
855-770-5678-Telephone
713-863-2382-Facsimile

For assistance outside the U.S.A. contact:

International Division
Daikin North America, LLC
19001 Kermier Road
Waller, Texas 77484
713-861-2500-Telephone
713-863-2382-Facsimile

Functional Parts

Part

No: Description:

0151R00184	BALL VALVE 1 1/8"
0151R00188	BASE VALVE 5/8"
CAP200000440CP	CAP, 20 MFD/440V/RD
ZPS104KCETF5155	COMP, 105K 200/230/60/3/2STG (M3, M4)
ZPS104KCETFD155	COMP, 105K, 460/60/3/2STG (M5)
ZPS83KCETFD130	COMP, 83000, 200/230/60/3/2STG (M2)
ZPS83KCETF5130	COMP, 83000, 200/230/60/3/2STG (M1)
CONT3P050024V	CONT 3 POLE 50 AMP 24 VAC (M3, M4)
CONT3P040024V	CONT, 3 POLE, 40AMP, 24 VAC (M1, M2, M5)
0130L00023	CRANK CASE HEATER 70W 240V (M1, M3, M4)
0130L00024	CRANK CASE HEATER 70W, 480V (M2, M5)
0130M00082	LOW PRESSURE SWITCH
0131M00860	MOTOR 1HP 1SP 230V (M1, M3, M4)
0131M00861	MOTOR, 1HP, 1SP, 460V (M2, M5)
0130R00056	SW-CUTOUT HI PRESS

SPECIAL PARTS

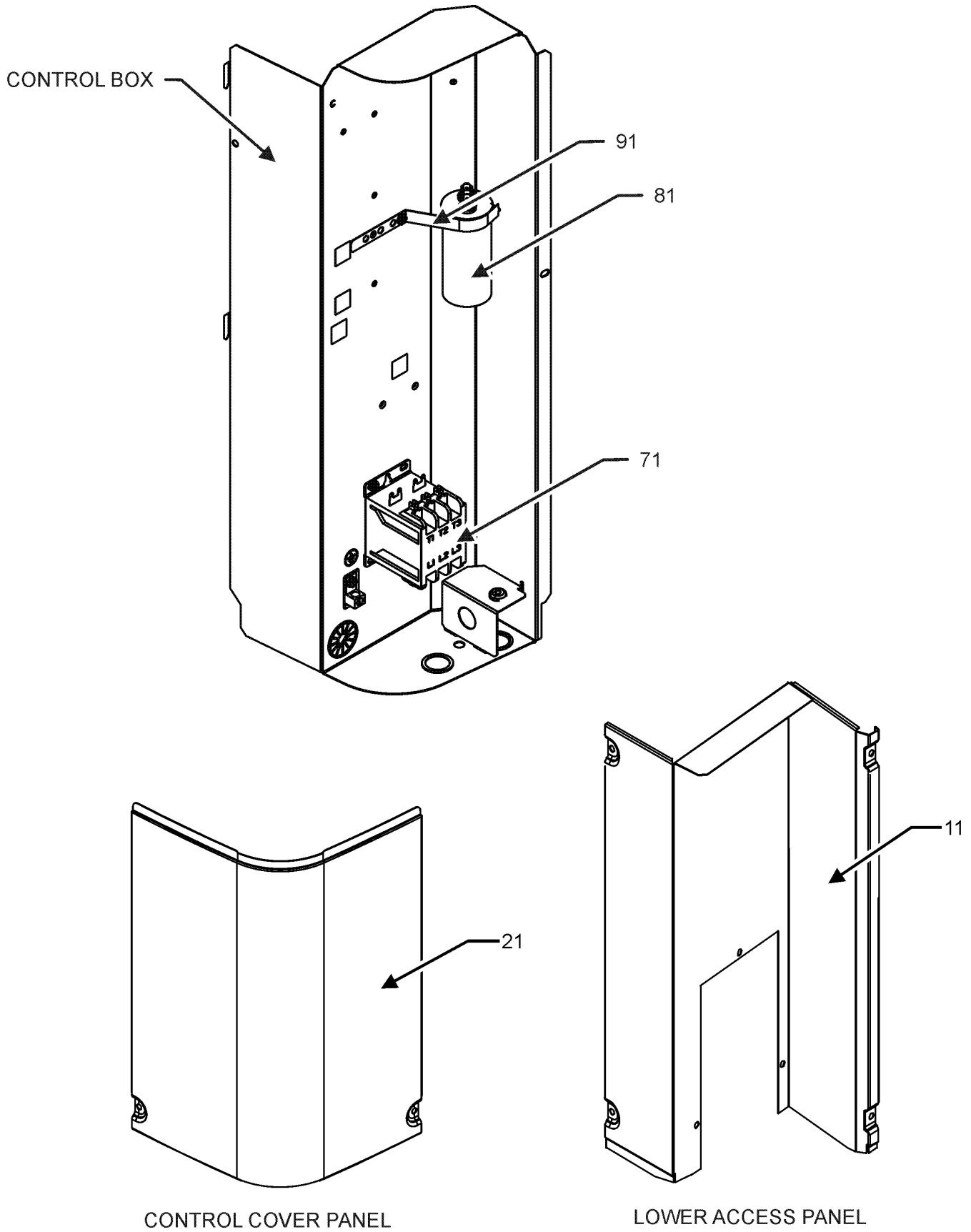
0161R00093 NAMEPLATE, DAIKIN

Expanded Model Nomenclature

M1 - DX11TA0903AA
M2 - DX11TA0904AA
M3 - DX11TA1203AA
M4 - DX11TA1203AB
M5 - DX11TA1204AA

CONTROL BOX ASSEMBLY

CONTROL BOX ASSEMBLY MAY DIFFER FROM WHAT IS SHOWN



CONTROL BOX ASSEMBLY

Ref. Part No:	No:	Description:	Ref. Part No:	No:	Description:
---------------	-----	--------------	---------------	-----	--------------

Image 1:

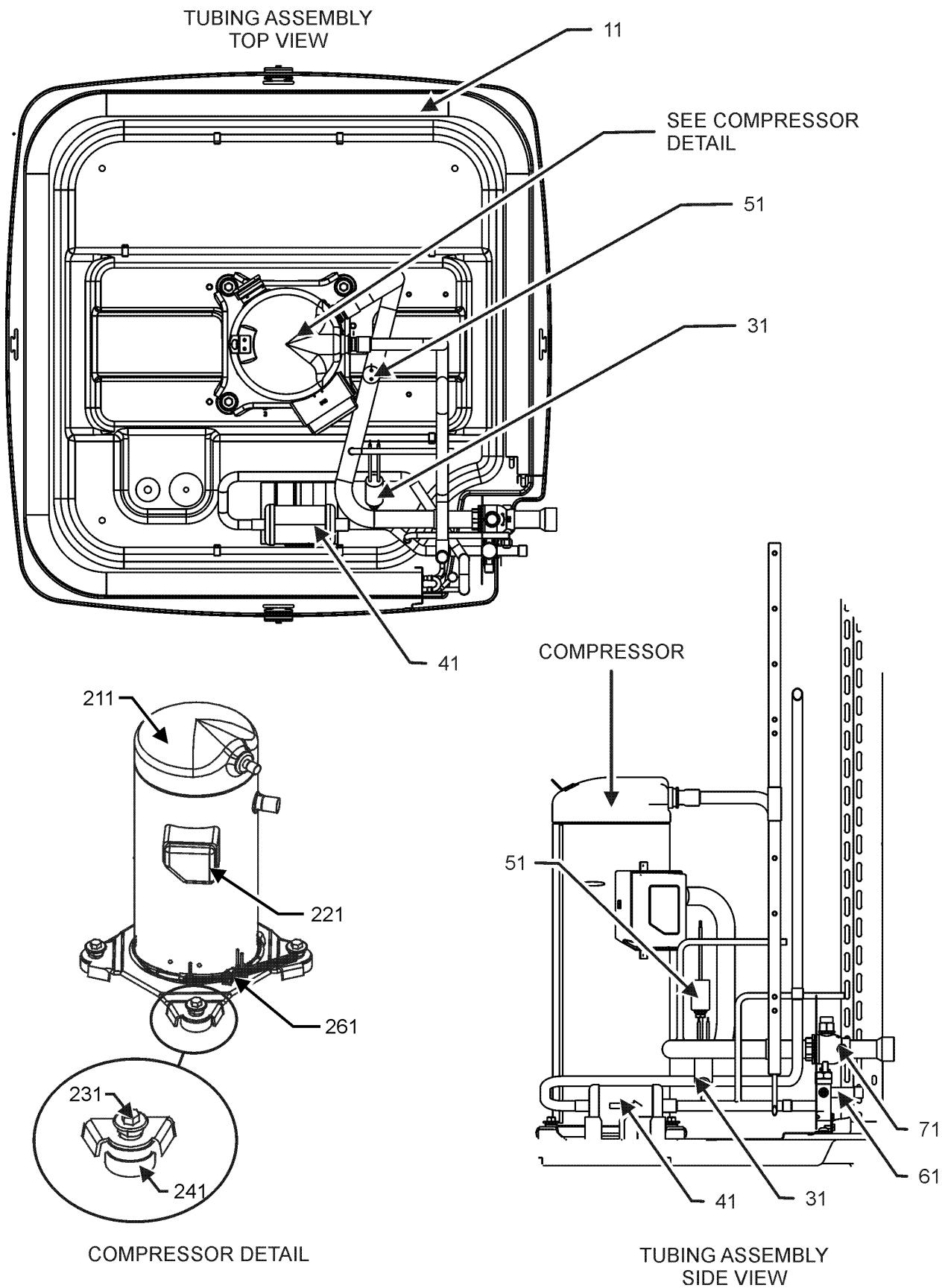
11	0121R00863PNG	PANEL, LOWER ACCESS PNT
21	0121R00950PNG	CONTROL COVER, LARGE PNT
71	CONT3P050024V	CONT 3 POLE 50 AMP 24 VAC (M3, M4)
71	CONT3P040024V	CONT, 3 POLE, 40AMP, 24 VAC (M1, M2, M5)
81	CAP200000440CP	CAP, 20 MFD/440V/RD
91	4400065	CAPACITOR STRAP
NS	0161R00093	NAMEPLATE, DAIKIN

Expanded Model Nomenclature

- | |
|-------------------|
| M1 - DX11TA0903AA |
| M2 - DX11TA0904AA |
| M3 - DX11TA1203AA |
| M4 - DX11TA1203AB |
| M5 - DX11TA1204AA |

TUBING ASSEMBLY

TUBING ASSEMBLY MAY DIFFER FROM WHAT IS SHOWN



TUBING ASSEMBLY

Ref. Part

No: No:

Description:

Ref. Part

No: No:

Description:

Image 1:

11	0121R00007PNG	BASE PAN, 35.5" PNT
31	0130R00056	SW-CUTOOUT HI PRESS
41	B1219228	FILTER DRIER
51	0130M00082	LOW PRESSURE SWITCH
61	0151R00188	BASE VALVE 5/8"
71	0151R00184	BALL VALVE 1 1/8"
211	ZPS104KCETF5155	COMP, 105K 200/230/60/3/2STG (M3, M4)
211	ZPS104KCETFD155	COMP, 105K, 460/60/3/2STG)(M5)
211	ZPS83KCETF5130	COMP, 83000, 200/230/60/3/2STG (M1)
211	ZPS83KCETFD130	COMP, 83000, 200/230/60/3/2STG (M2)
221	0159G00003	COMPRESSOR HARNESS (M1, M2)
221	0159L00053	HARNESS, COMP SCROLL (M3, M5)
221	0159L00130	HARNESS, COMP SCROLL (M4)
231	B1393740	COMP BOLT & SLEEVE (QTY 4)
241	0164M00018	GROMMET, COMPRESSOR (QTY 4)
261	0130L00023	CRANK CASE HEATER 70W 240V (M1, M3, M4)
261	0130L00024	CRANK CASE HEATER 70W, 480V (M2, M5)
NS	0159G00001	COMPRESSOR SOLENOID CABLE
NS	0121R00864PNG	PANEL, BALL VALVE MOUNTING
NS	4400031	VALVE BRACKET

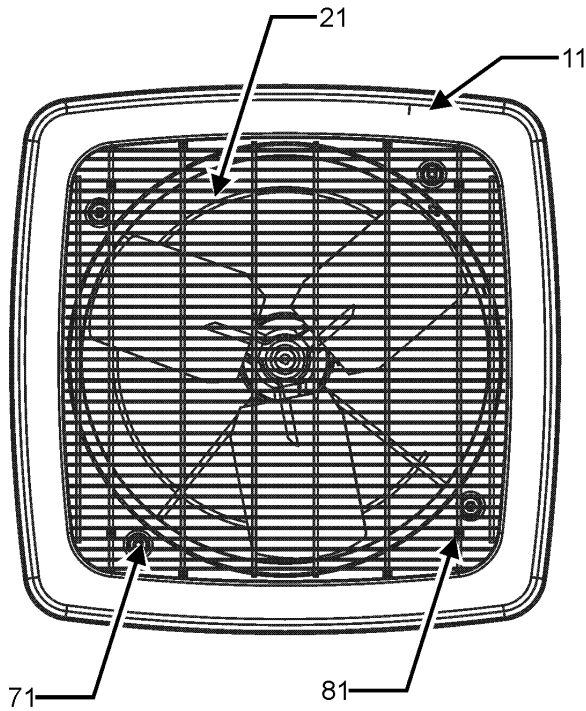
Expanded Model Nomenclature

M1 - DX11TA0903AA
M2 - DX11TA0904AA
M3 - DX11TA1203AA
M4 - DX11TA1203AB
M5 - DX11TA1204AA

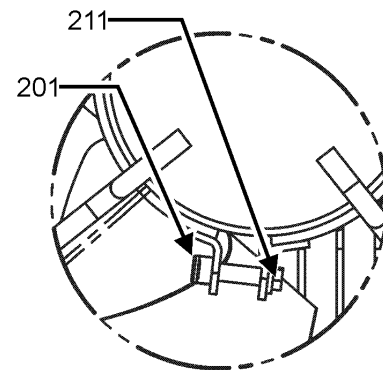
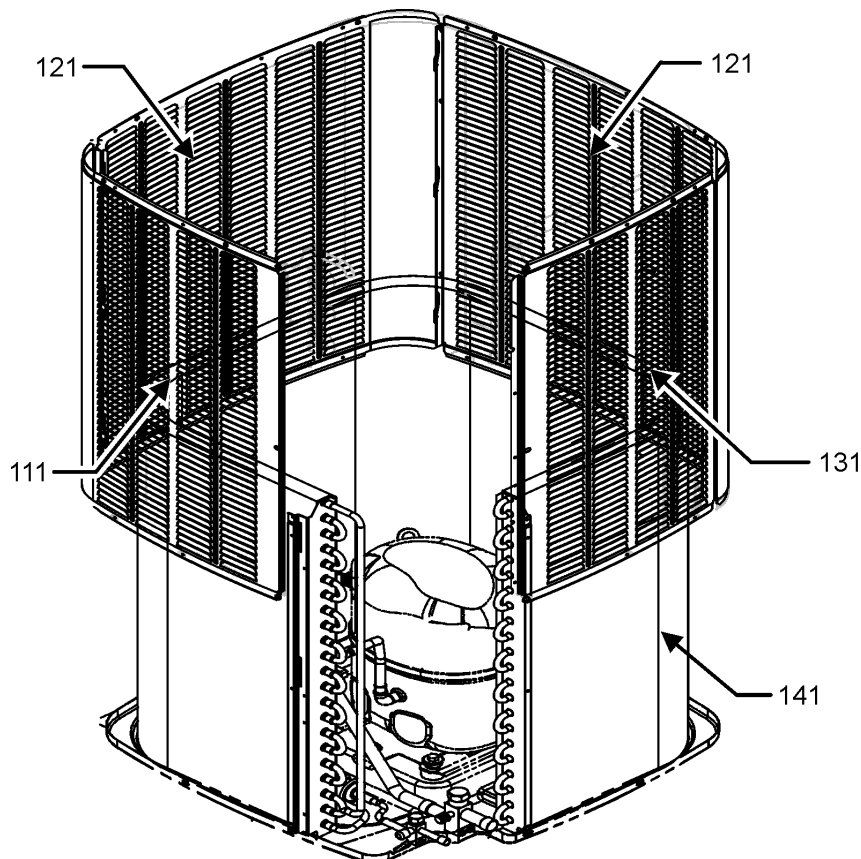
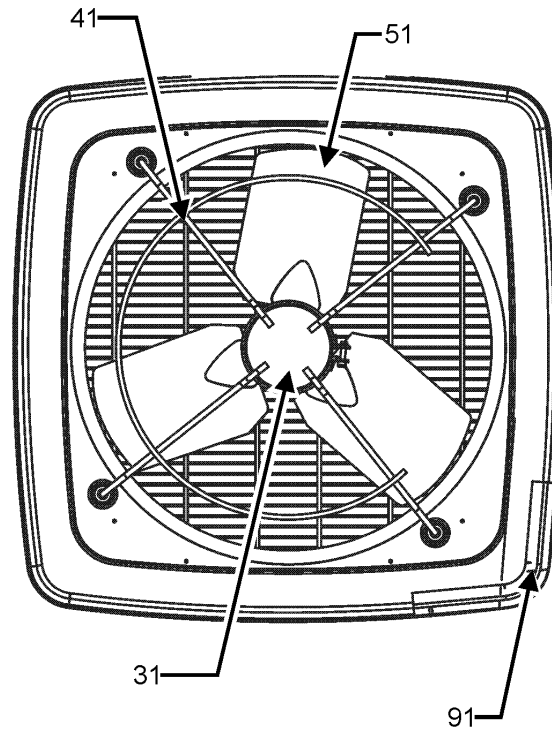
TOP AND LOUVER PANEL ASSEMBLY

TOP PANEL AND LOUVER PANEL ASSEMBLY MAY DIFFER FROM WHAT IS SHOWN

TOP PANEL ASSEMBLY
TOP VIEW



TOP PANEL ASSEMBLY
BOTTOM VIEW



MOTOR MOUNTING
BRACKET DETAIL

LOUVER PANEL ASSEMBLY

TOP AND LOUVER PANEL ASSEMBLY

Ref. Part No:	No:	Description:	Ref. Part No:	No:	Description:
---------------	-----	--------------	---------------	-----	--------------

Image 1:

11	0121R00013PNG	VENTURI TOP PANEL 35"
21	0152R00013	GRILL, WIRE 35" COM TOP
31	0131M00860	MOTOR 1HP 1SP 230V (M1, M3, M4)
31	0131M00861	MOTOR, 1HP, 1SP, 460V (M2, M5)
41	0121R00301	BRACKET, MOTOR MOUNTING
51	0150M00049	FAN BLADE, 26"
71	B1393024	LOCK NUT
81	0163M00003P	SCREW,#10 X 1/2,A,SLOT,SR,BLK (QTY 2)
91	0154R00006	GASKET, CONTROL PANEL
111	0121R00601PNG	PANEL 1, LOUVER 35_39.84 PNT
121	0121R00514PNG	PANEL 2, LOUVER 35_39.84 PNT (QTY 2)
131	0121R00603PNG	PANEL 3, LOUVER 35_39.84 PNT
141	0201R00716	COIL TUBING ASSY
201	B1393804	NYLON LOCKNUT .31 - 18
211	0163M00129	SCREW H2 .31 X 1.52

Expanded Model Nomenclature

M1 - DX11TA0903AA
M2 - DX11TA0904AA
M3 - DX11TA1203AA
M4 - DX11TA1203AB
M5 - DX11TA1204AA