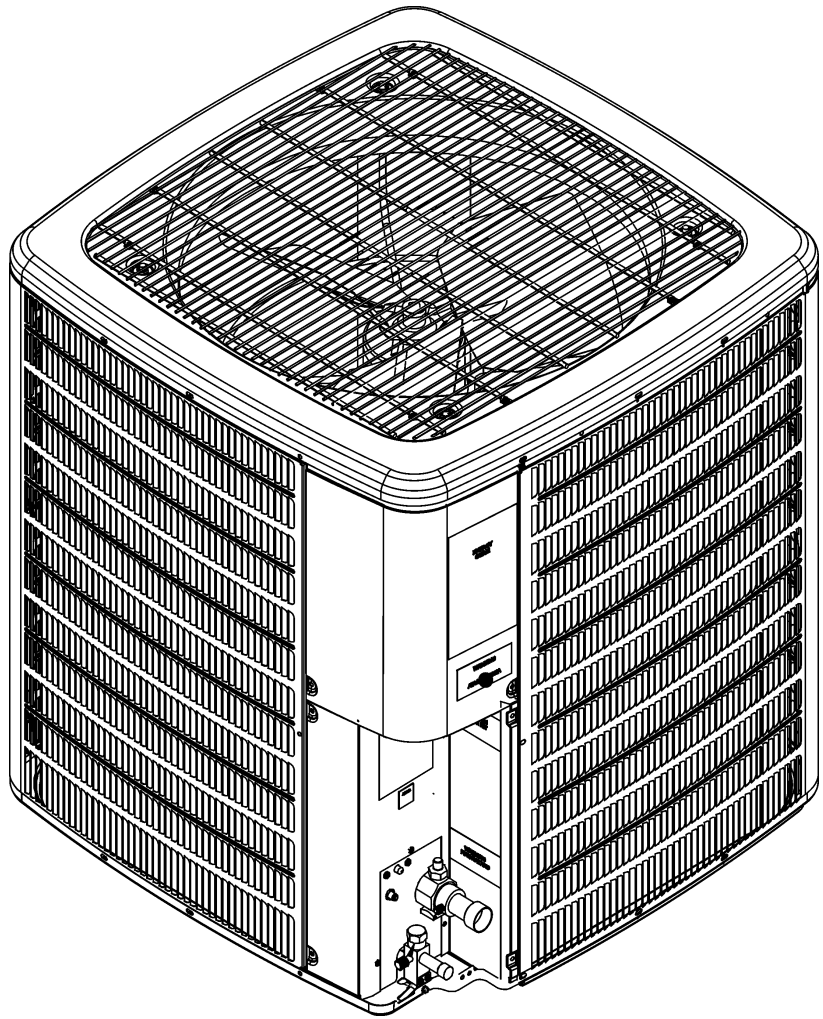


**DX11SA 3-Phase Remote Condensing Unit**

DX11SA0903AB  
DX11SA0903AC  
DX11SA0904AB  
DX11SA0904AC  
DX11SA1203AB  
DX11SA1203AC  
DX11SA1204AB  
DX11SA1204AC



This manual is to be used by qualified technicians only.

This manual replaces RP-D4307.

© 2016 - 2017 **DAIKIN MANUFACTURING COMPANY, L.P.** ♦ 5151 San Felipe St., Suite 500 ♦ Houston, TX 77056

# Important Information

---

## Index

Functional Parts List .....	3
Illustration and Parts .....	4 - 9

*Views shown are for parts illustrations only, not servicing procedures.*

### Text Codes:

AR - As Required

NA - Not Available

NS - Not Shown

00000000 - See Note

QTY - Quantity Example (QTY 3) (If Quantity not shown, Quantity = 1)

M - Model Example (M1) (If M Code not shown, then part is used on all Models)

### Expanded Model Nomenclature:

Example M1 - Model#1 M2 - Model#2 M3 - Model#3
---

Daikin Manufacturing Company, L.P. is not responsible for personal injury or property damage resulting from improper service. Review all service information before beginning repairs.

Warranty service must be performed by an authorized technician, using authorized factory parts. If service is required after the warranty expires, Daikin Manufacturing Company, L.P. also recommends contacting an authorized technician and using authorized factory parts.

Daikin Manufacturing Company, L.P. reserves the right to discontinue, or change at any time, specifications or designs without notice or without incurring obligations.

For assistance within the U.S.A. contact:

Equipment Support  
Daikin North America, LLC  
19001 Kermier Road  
Waller, Texas 77484  
855-770-5678-Telephone  
713-863-2382-Facsimile

For assistance outside the U.S.A. contact:

International Division  
Daikin North America, LLC  
19001 Kermier Road  
Waller, Texas 77484  
713-861-2500-Telephone  
713-863-2382-Facsimile

# Functional Parts

## Part

**No:**                    **Description:**

---

CAP200000440CP	CAP, 20 MFD/440V/ RD
ZP103KCETF5155	COMP, 105,000, 200/230/60/3 (M5, M6)
ZP103KCETFD250	COMP, 105000, 460/60/3 (M7, M8)
ZP83KCETF5250	COMPRESSOR 83000, 200/230/60/3 (M1, M2)
ZP83KCETFD130	COMPRESSOR 83000, 460/60/3 (M3, M4)
CONT3P040024V	CONTACTOR 40 AMP, 3P, 24V
0130L00023	CRANK CASE HEATER 70W 240V (M1, M2)
0130L00024	CRANK CASE HEATER 70W, 480V (M3, M4)
0163R00008	CRANKCASE HEATER, 460V, 90W (M7, M8)
0163R00009	CRANKCASE HEATER, 240V, 90W (M5, M6)
0130R00056	CUT-OUT SWITCH, HIGH PRESSURE
0130R00001	CUT-OUT SWITCH, LOW PRESSURE
0131M00786	MOTOR 1HP 1SP 230V (M1, M2, M5, M6)
0131M00787	MOTOR 1HP 1SP 460V (M3, M4, M7, M8)

## SPECIAL PARTS

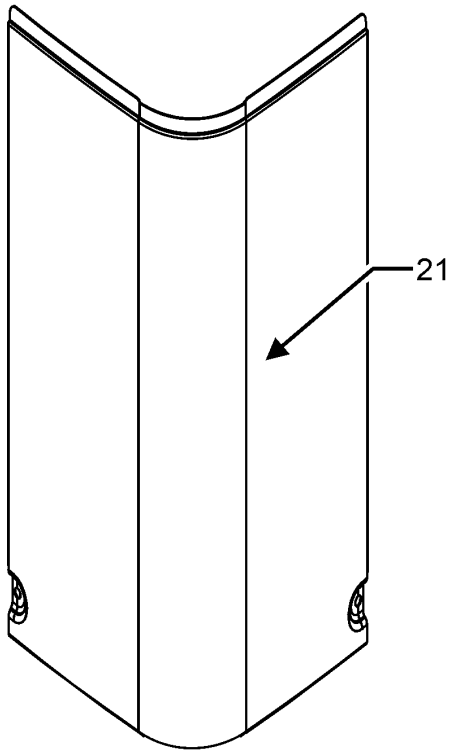
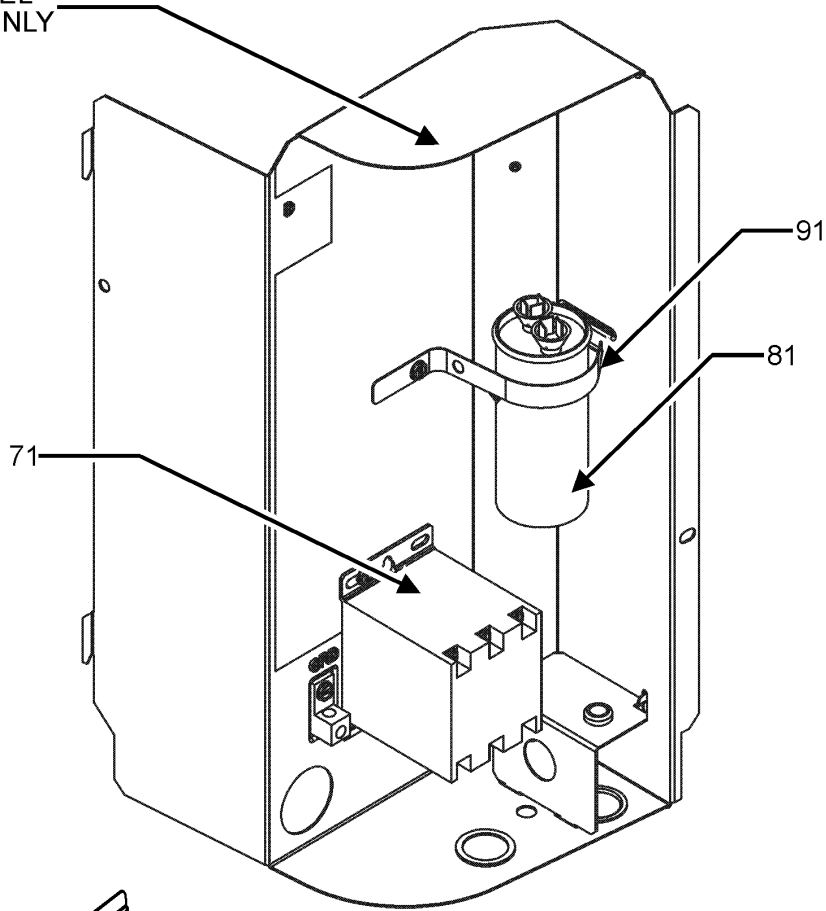
0161R00090            NAMEPLATE, DAIKIN

## Expanded Model Nomenclature

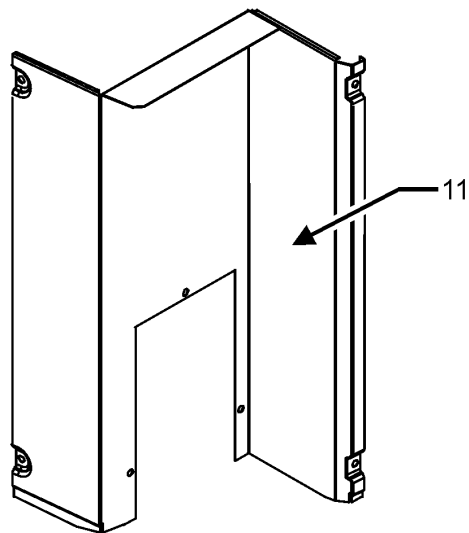
M1 - DX11SA0903AB
M2 - DX11SA0903AC
M3 - DX11SA0904AB
M4 - DX11SA0904AC
M5 - DX11SA1203AB
M6 - DX11SA1203AC
M7 - DX11SA1204AB
M8 - DX11SA1204AC

# CONTROL BOX ASSEMBLY

CONTROL PANEL  
REFERENCE ONLY



CONTROL PANEL COVER



LOWER ACCESS PANEL

# CONTROL BOX ASSEMBLY

Ref. Part No: No:	Description:	Ref. Part No: No:	Description:
-------------------	--------------	-------------------	--------------

---

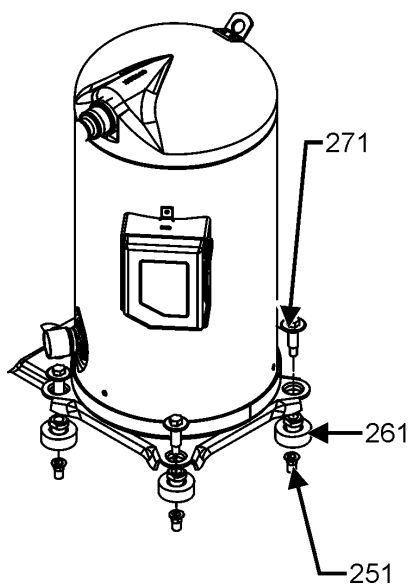
**Image 1:**

11	0121R00330PNG	LOWER ACCESS PANEL
21	0121R00053PNG	CONTROL COVER, SMALL PNT
71	CONT3P040024V	CONTACTOR 40 AMP, 3P, 24V
81	CAP200000440CP	CAP, 20 MFD/440V/ RD
91	4400065	CAPACITOR STRAP
NS	0161R00090	NAMEPLATE, DAIKIN
NS	B1372801	SIGHT GLASS CL90/120

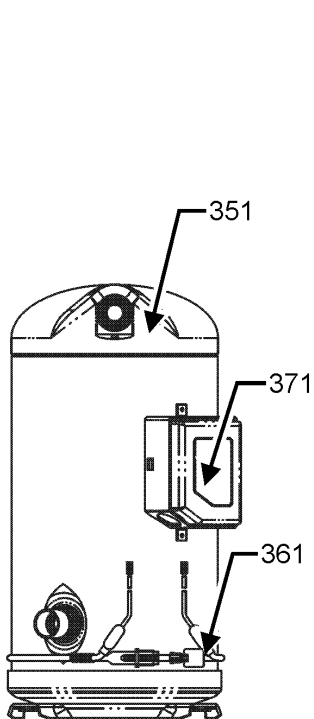
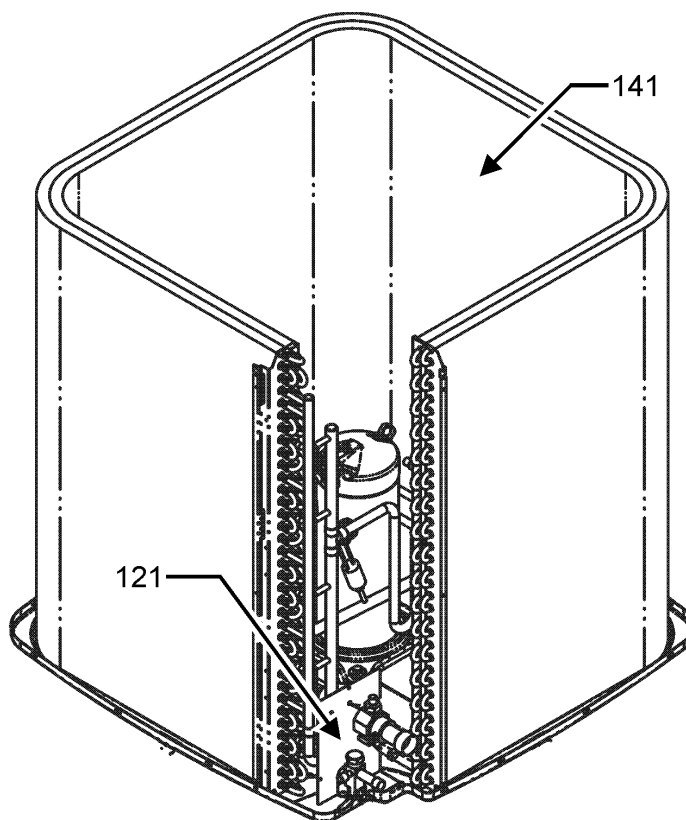
**Expanded Model Nomenclature**

- M1 - DX11SA0903AB
- M2 - DX11SA0903AC
- M3 - DX11SA0904AB
- M4 - DX11SA0904AC
- M5 - DX11SA1203AB
- M6 - DX11SA1203AC
- M7 - DX11SA1204AB
- M8 - DX11SA1204AC

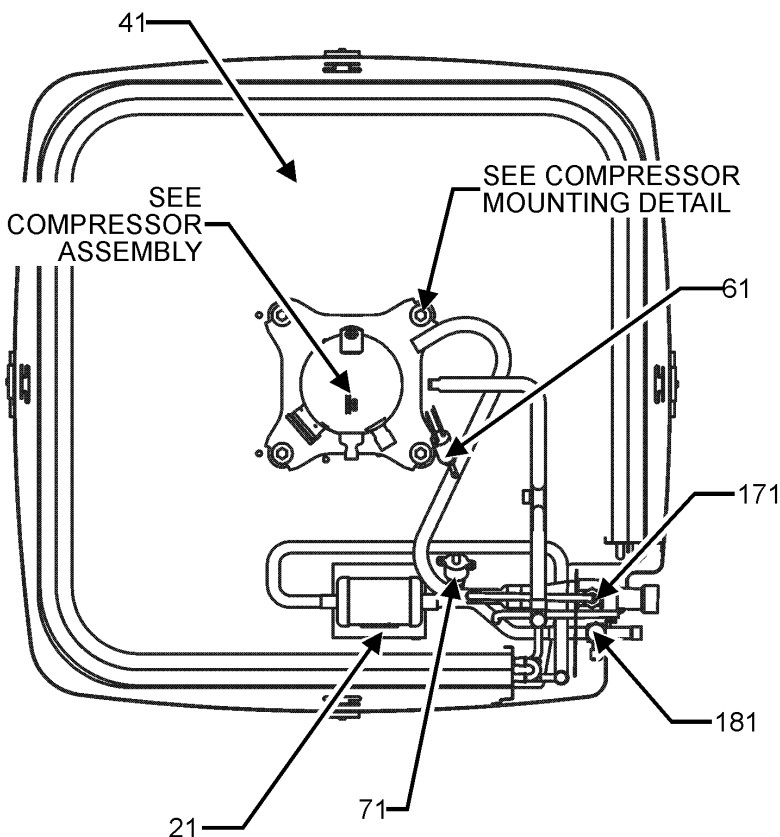
# TUBING ASSEMBLY



COMPRESSOR MOUNTING  
DETAIL



COMPRESSOR ASSEMBLY



TUBING ASSEMBLY

# TUBING ASSEMBLY

Ref. Part No: No:	Description:	Ref. Part No: No:	Description:
-------------------	--------------	-------------------	--------------

**Image 1:**

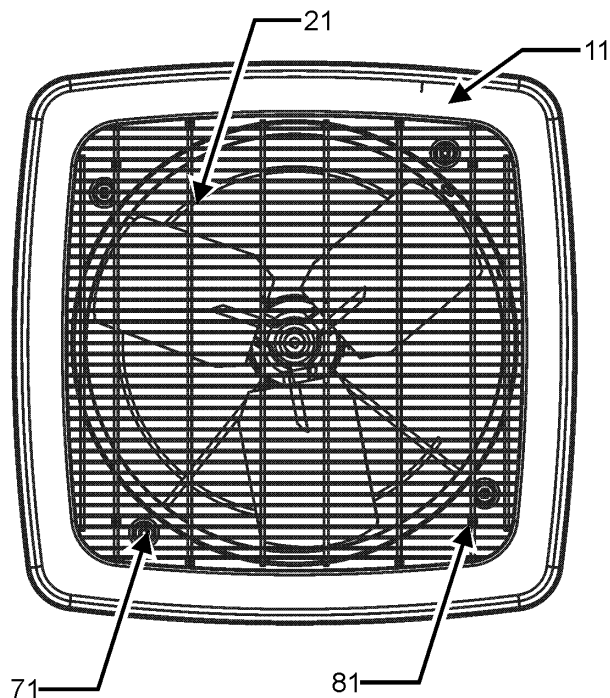
21	B1219228	FILTER DRIER
41	0121R00007PNG	BASE PAN, 35.5" PNT
61	0130R00001	CUT-OUT SWITCH, LOW PRESSURE
71	0130R00056	CUT-OUT SWITCH, HIGH PRESSURE
121	0121R00300PNG	PANEL, BALL VALVE MOUNTING
141	0201R00377	TUBING ASSY, COND COIL
171	0151R00030	VALVE, BALL
181	0151R00166	BASE VALVE 5/8"
251	B1393027	HEX NUT INSERT 5/16-18 (QTY 4)
261	0164M00018	COMPRESSOR GROMMET (QTY 4)
271	B1393740	COMPRESSOR BOLT & SLEEVE (QTY 4)
351	ZP103KCETF5155	COMP, 105,000, 200/230/60/3 (M5, M6)
351	ZP103KCETFD250	COMP, 105000, 460/60/3 (M7, M8)
351	ZP83KCETF5250	COMPRESSOR 83000, 200/230/60/3 (M1, M2)
351	ZP83KCETFD130	COMPRESSOR 83000, 460/60/3 (M3, M4)
361	0130L00023	CRANK CASE HEATER 70W 240V (M1, M2)
361	0130L00024	CRANK CASE HEATER 70W, 480V (M3, M4)
361	0163R00008	CRANKCASE HEATER, 460V, 90W (M7, M8)
361	0163R00009	CRANKCASE HEATER, 240V, 90W (M5, M6)
371	0159G00003	COMPRESSOR HARNESS (M3, M4)
371	0159L00053	HARNESS, COMP SCROLL (M5, M6)
NS	4400031	VALVE BRACKET

**Expanded Model Nomenclature**

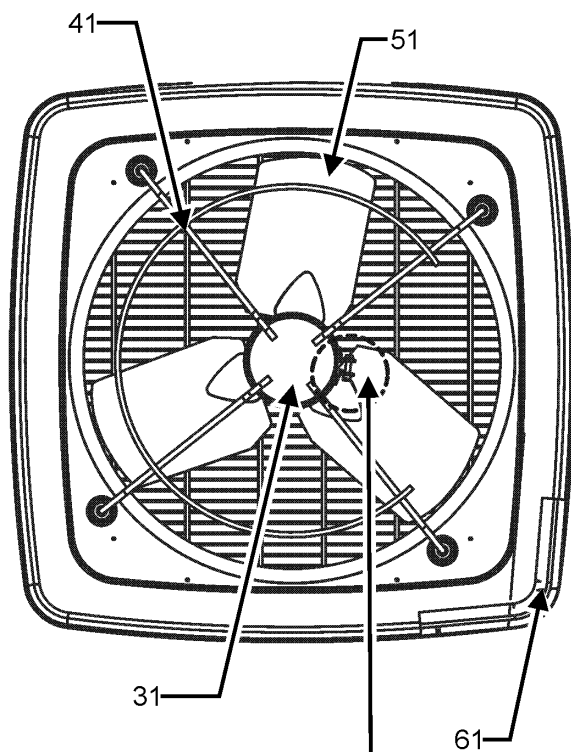
- |                   |
|-------------------|
| M1 - DX11SA0903AB |
| M2 - DX11SA0903AC |
| M3 - DX11SA0904AB |
| M4 - DX11SA0904AC |
| M5 - DX11SA1203AB |
| M6 - DX11SA1203AC |
| M7 - DX11SA1204AB |
| M8 - DX11SA1204AC |

# TOP AND LOUVER PANEL ASSEMBLY

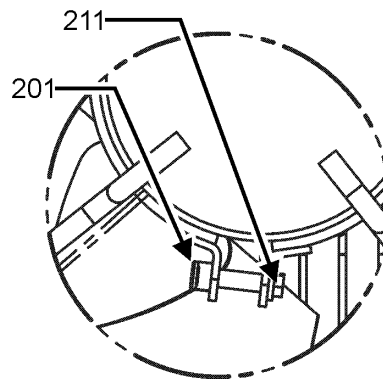
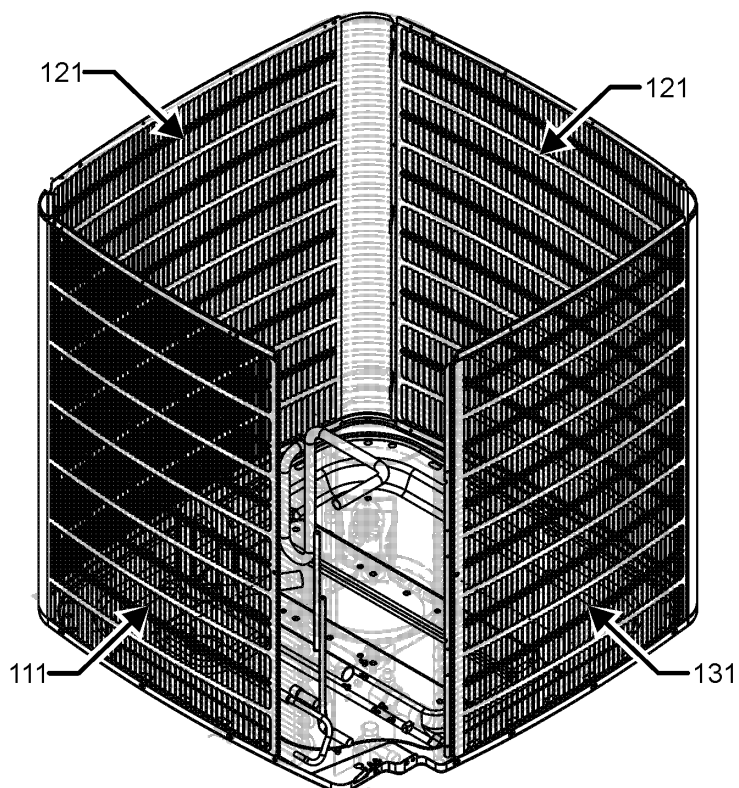
TOP PANEL ASSEMBLY  
TOP VIEW



TOP PANEL ASSEMBLY  
BOTTOM VIEW



SEE MOTOR  
MOUNTING  
BRACKET DETAIL



MOTOR MOUNTING  
BRACKET DETAIL

LOUVER PANEL ASSEMBLY

# TOP AND LOUVER PANEL ASSEMBLY

Ref. Part No:	No:	Description:	Ref. Part No:	No:	Description:
---------------	-----	--------------	---------------	-----	--------------

---

**Image 1:**

11	0121R00013PNG	VENTURI TOP PANEL 35"
21	0152R00013	GRILL, WIRE 35" COM TOP
31	0131M00786	MOTOR 1HP 1SP 230V (M1, M2, M5, M6)
31	0131M00787	MOTOR 1HP 1SP 460V (M3, M4, M7, M8)
41	0121R00301	BRACKET, MOTOR MOUNTING
51	0150M00049	FAN BLADE, 26"
61	0154R00006	CONTROL PANEL GASKET
71	B1393024	LOCK NUT (QTY 4)
81	0163M00003P	SCREW #10 X 1/2, A, SLOT, SR, BLACK (QTY 8)
111	0121R00043PNGB	LOUVERED SIDE PANEL [LT OF CNTL PNL]
121	0121R00047PNGB	LOUVERED SIDE PANEL (QTY 2)
131	0121R00051PNG	LOUVERED SIDE PANEL [RT OF CNTL PNL]
201	B1393804	NYLON LOCKNUT .31-18
211	0163M00129	SCREW H2 .31 X 1.52

**Expanded Model Nomenclature**

M1 - DX11SA0903AB
M2 - DX11SA0903AC
M3 - DX11SA0904AB
M4 - DX11SA0904AC
M5 - DX11SA1203AB
M6 - DX11SA1203AC
M7 - DX11SA1204AB
M8 - DX11SA1204AC