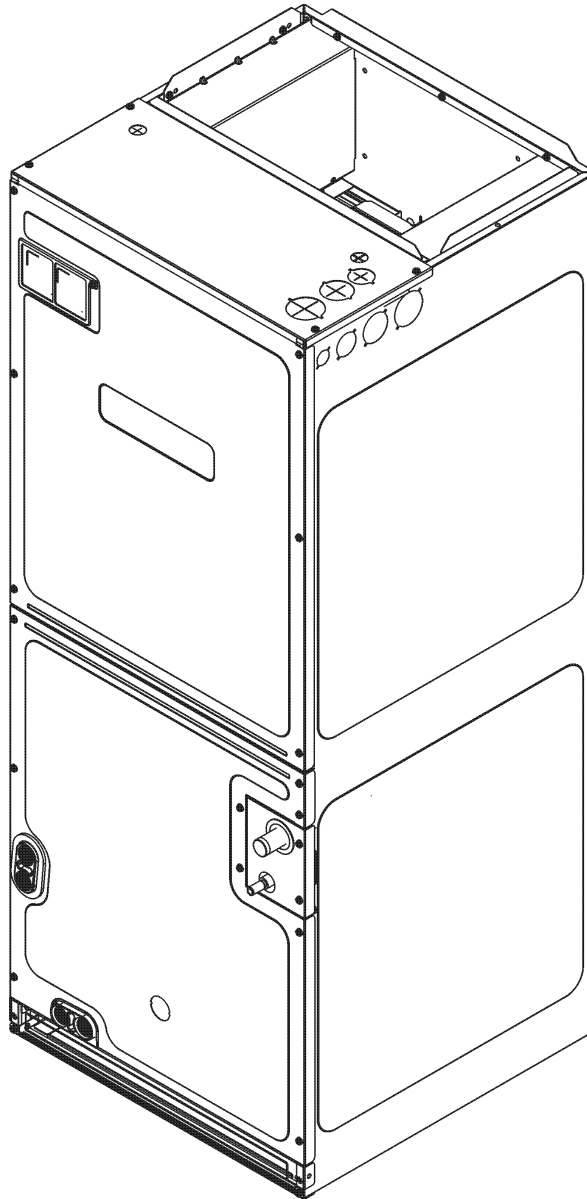


DVPTC Air Handler**

DV25PTCB14AA
DV29PTCB14AA
DV31PTCC14AA
DV37PTCB14AA
DV37PTCC14AA
DV37PTCD14AA
DV49PTCD14AA
DV59PTCC14AA
DV59PTCD14AA
DV61PTCD14AA



This manual is to be used by qualified technicians only.

Important Information

Index

Functional Parts List	3
Illustration and Parts	4 - 9

Views shown are for parts illustrations only, not servicing procedures

Text Codes:

AR - As Required

NA - Not Available

NS - Not Shown

00000000 - See Note

QTY - Quantity Example (QTY 3) (If Quantity not shown, Quantity = 1)

M - Model Example (M1) (If M Code not shown, then part is used on all Models)

Expanded Model Nomenclature:

Example M1 - Model#1 M2 - Model#2 M3 - Model#3

Daikin Manufacturing Company, L.P. is not responsible for personal injury or property damage resulting from improper service. Review all service information before beginning repairs.

Warranty service must be performed by an authorized technician, using authorized factory parts. If service is required after the warranty expires, Daikin Manufacturing Company, L.P. also recommends contacting an authorized technician and using authorized factory parts.

Daikin Manufacturing Company, L.P. reserves the right to discontinue, or change at any time, specifications or designs without notice or without incurring obligations.

For assistance within the U.S.A. contact:

Consumer Affairs Department

Daikin North America, LLC

7401 Security Way

Houston, Texas 77040

855-770-5678-Telephone

713-863-2382-Facsimile

For assistance outside the U.S.A. contact:

International Division

Daikin North America, LLC

7401 Security Way

Houston, Texas 77040

713-861-2500-Telephone

713-863-2382-Facsimile

Functional Parts

Part

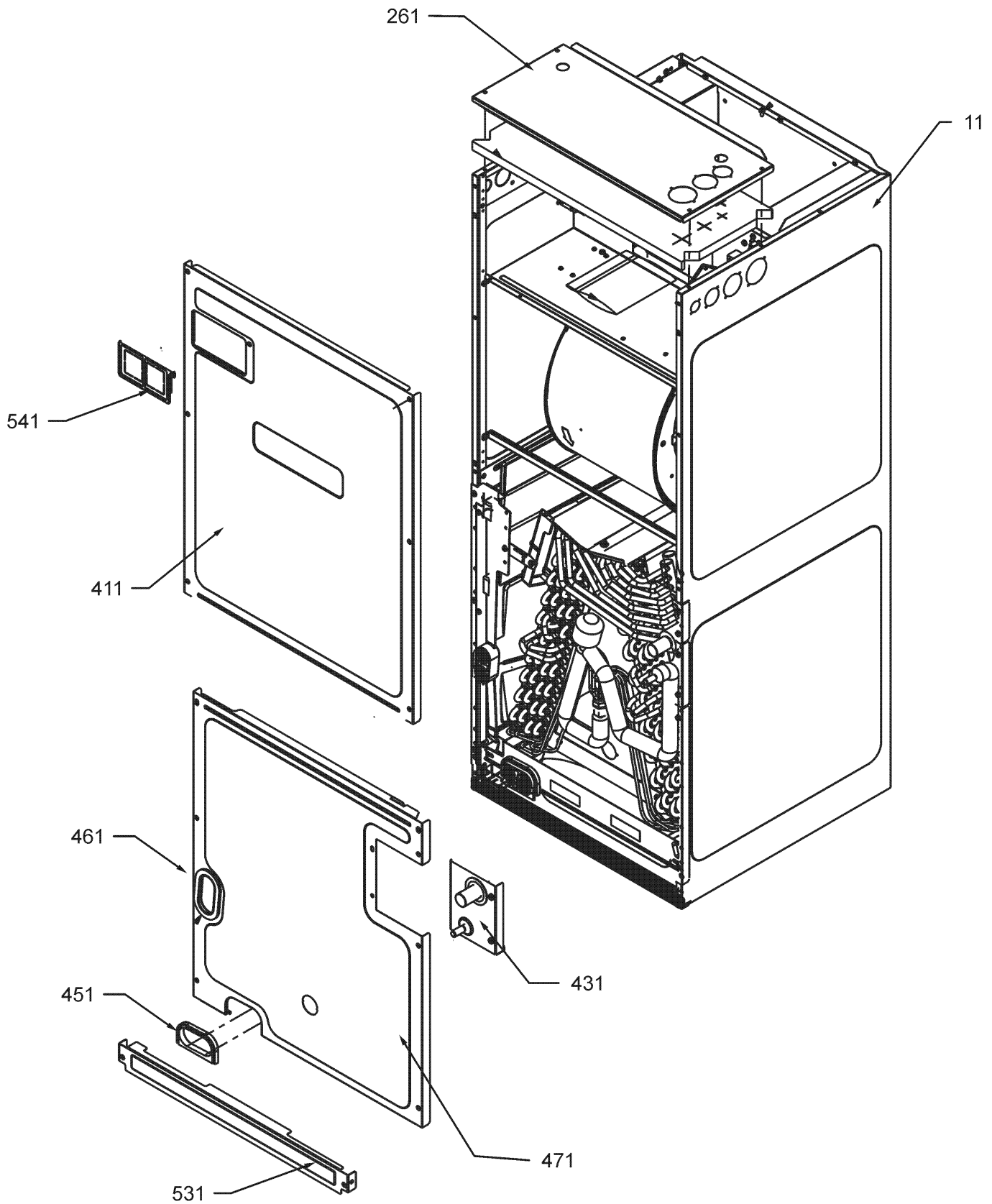
No: Description:

0131M00272	MOTOR, 1 HP, SERIAL ECM (M8, M9, M10)
0131M00270	MOTOR, 1/2 HP, SERIAL ECM (M1)
0131M00271	MOTOR, 3/4 HP, SERIAL ECM (M2, M3, M4, M5, M6, M7)
0130A00126	PCB SHARED DATA (M2)
0130A00134	PCB SHARED DATA (M10)
0130A00127	PCB SHARED DATA (M4)
0130A00128	PCB SHARED DATA (M3)
0130A00129	PCB SHARED DATA (M5)
0130A00130	PCB SHARED DATA (M8)
0130A00131	PCB SHARED DATA (M6)
0130A00132	PCB SHARED DATA (M9)
0130A00133	PCB SHARED DATA (M7)
0130A00125	PCB SHARED DATA (M1)
PCBJA104	PCB, CONTROL, AIR HANDLER
0130M00138	TRANSFORMER 208/230, 24V
0151R00133	VALVE, TXV R-410A (M8, M9, M10)
0151R00131	VALVE, TXV R-410A (M4, M5, M6, M7)
0151R00130	VALVE, TXV R-410A (M1, M2, M3)

Expanded Model Nomenclature

M1 - DV25PTCB14AA
M2 - DV29PTCB14AA
M3 - DV31PTCC14AA
M4 - DV37PTCB14AA
M5 - DV37PTCC14AA
M6 - DV37PTCD14AA
M7 - DV49PTCD14AA
M8 - DV59PTCC14AA
M9 - DV59PTCD14AA
M10 - DV61PTCD14AA

WRAPPER ASSY



WRAPPER ASSY

Ref. Part No:	No:	Description:	Ref. Part No:	No:	Description:
Image 1:					
11	0121A00276PNG	WRAPPER, LG, PAINTED (M7, M10)			
11	0121A00455PNG	WRAPPER, PAINTED (M6, M9)			
11	0121A00456PNG	WRAPPER, PAINTED (M3, M5, M8)			
11	0121A00458PNG	WRAPPER, PAINTED (M2, M4)			
11	0121A00281PNG	WRAPPER, SM, PAINTED (M1)			
261	0121A00373PNG	Plate, Upper Tie (M1, M2, M4)			
261	0121A00374PNG	Plate, Upper Tie (M3, M5, M8)			
261	0121A00375PNG	Plate, Upper Tie (M6, M7, M9, M10)			
411	0121A00651PNG	PANEL, UPPER ACCESS (M6, M7, M9, M10)			
411	0121A00652PNG	PANEL, UPPER ACCESS (M3, M5, M8)			
411	0121A00653PNG	PANEL, UPPER ACCESS (M1, M2, M4)			
431	0121A00658PNG	REFRIGERATION TUBING PANEL			
451	0154A00006BL	GASKET, DRAIN PAN			
461	0154A00007BL	GASKET, DRAIN PAN			
471	0121A00460PNG	LOWER ACCESS PANEL (M6, M9)			
471	0121A00461PNG	LOWER ACCESS PANEL (M3, M5, M8)			
471	0121A00463PNG	LOWER ACCESS PANEL (M2, M4)			
471	0121A00618PNG	LOWER ACCESS PANEL (M7, M10)			
471	0121A00620PNG	LOWER ACCESS PANEL (M1)			
531	0121A00242PNG	Panel, Filter Access (M1, M2, M4)			
531	0121A00243PNG	Panel, Filter Access (M3, M5, M8)			
531	0121A00244PNG	Panel, Filter Access (M6, M7, M9, M10)			
541	0161A00063	PLASTIC BREAKER INSERT			
NS	BT1369063	90 DEGREE STUB			
NS	0164A00002	GROMMET			
NS	0163M00036	SCREW,#10X1/2,B,BZ,SLOT,SR,BLK			
NS	0163A00026	THUMB SCREW (QTY 2)			
NS	B1392139	VIEW PORT BUSHING-BLOWER DOOR			
NS	BT1392909	WASHER; SS RETAINING (QTY 2)			

Expanded Model Nomenclature

M1 - DV25PTCB14AA
M2 - DV29PTCB14AA
M3 - DV31PTCC14AA
M4 - DV37PTCB14AA
M5 - DV37PTCC14AA
M6 - DV37PTCD14AA
M7 - DV49PTCD14AA
M8 - DV59PTCC14AA
M9 - DV59PTCD14AA
M10 - DV61PTCD14AA

CONTROL BOX & COIL ASSY

IMAGE 1

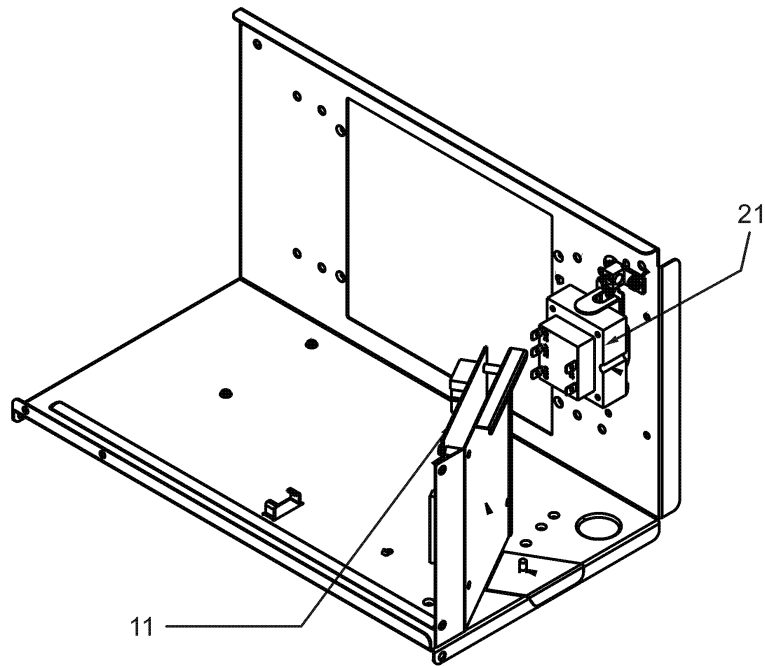
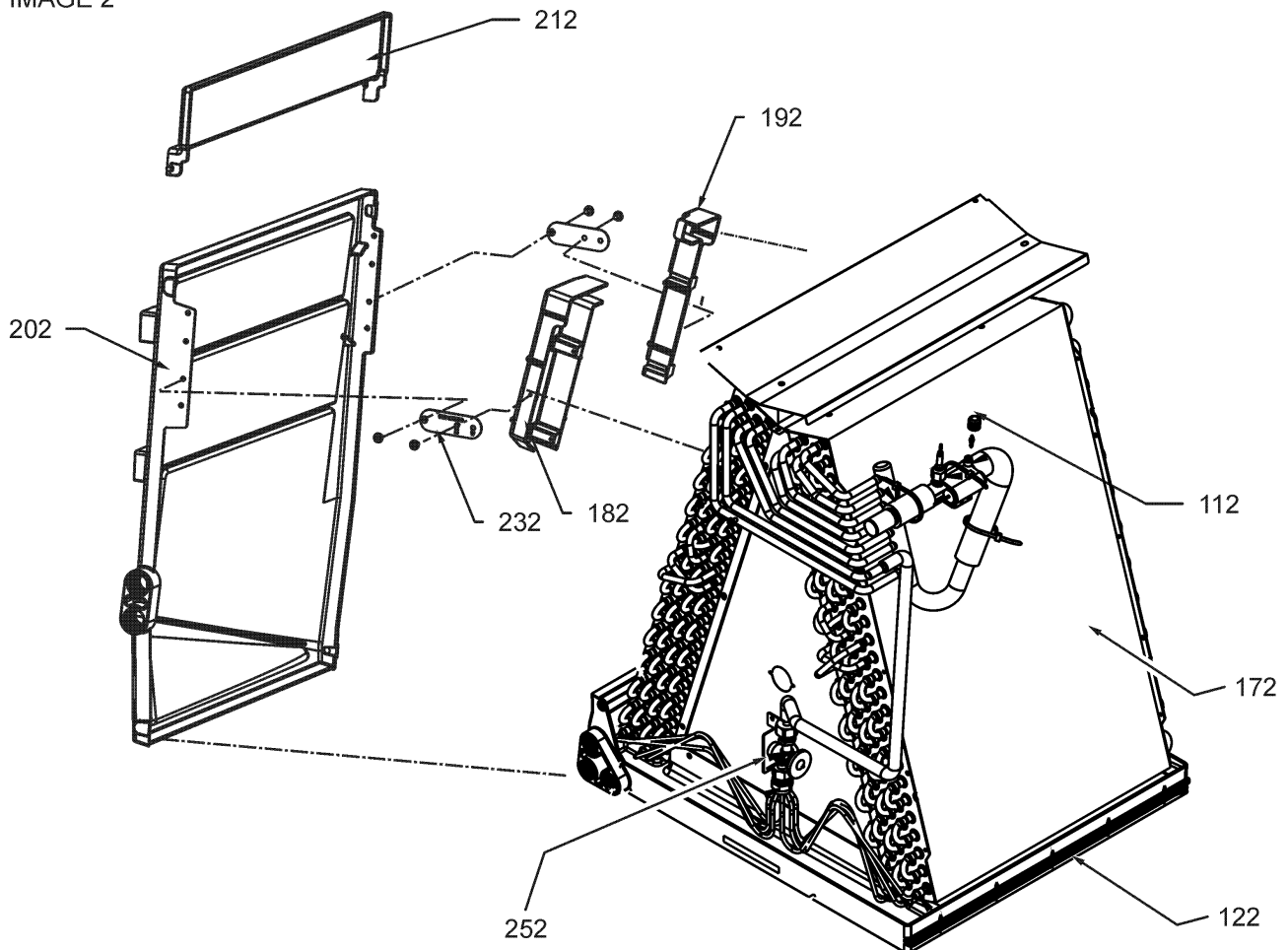


IMAGE 2



CONTROL BOX & COIL ASSY

Ref. Part No: No:	Description:	Ref. Part No: No:	Description:
-------------------	--------------	-------------------	--------------

Image 1:

11	PCBJA104	PCB, CONTROL, AIR HANDLER
21	0130M00138	TRANSFORMER 208/230, 24V
NS	0259A00012P	WIRE ASSY, 9 PIN FEMALE CONN
NS	0259A00016	WIRE HARNESS

Image 2:

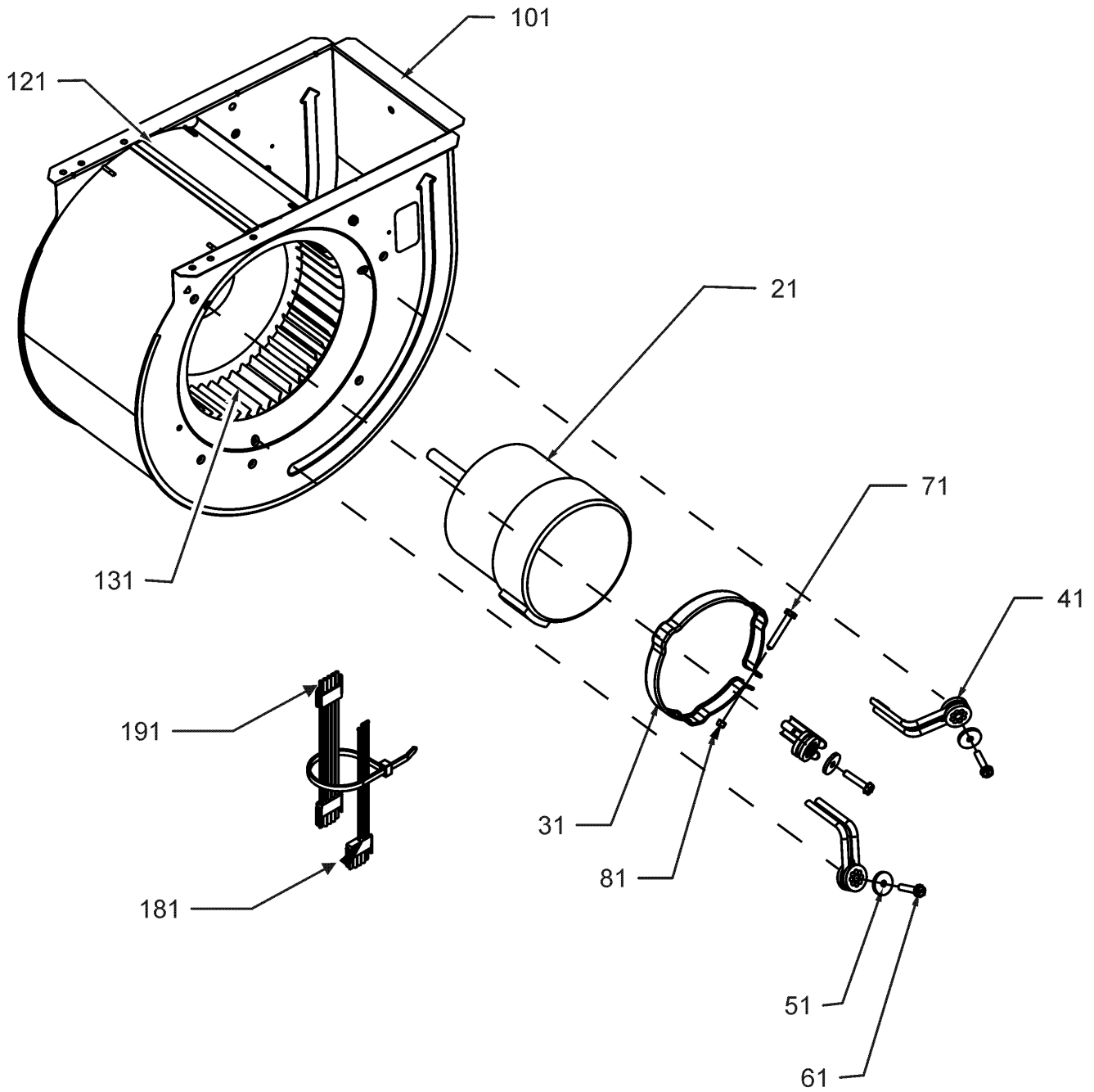
112	B1787000	VALVE CORE
122	0161A00049	DRAINPAN, VERTICAL (M1, M2, M4)
122	0161A00051	DRAINPAN, VERTICAL (M6, M7, M9, M10)
122	0161A00052	DRAINPAN, VERTICAL (M3, M5, M8)
172	0270A00854	COIL TUBING ASSEMBLY (M2)
172	0270A00855	COIL TUBING ASSEMBLY (M5)
172	0270A00857	COIL TUBING ASSEMBLY (M6)
172	0270A00903	COIL TUBING ASSEMBLY (M1)
172	0270A01030	COIL TUBING ASSEMBLY (M4)
172	0270A01032	COIL TUBING ASSEMBLY (M8)
172	0270A01034	COIL TUBING ASSEMBLY (M10)
172	0270A01081	COIL TUBING ASSEMBLY (M3)
172	0270A01085	COIL TUBING ASSEMBLY (M9)
172	0270A01086	COIL TUBING ASSEMBLY (M7)
182	0161A00060	CONDENSATE, COLLECT, FRONT
192	0161A00061	CONDENSATE, COLLECT, BACK
202	0161A00053	DRAIN PAN HORIZONTAL, TALL (M2, M3, M4, M5, M6, M7, M8, M9, M10)
202	0161A00055	DRAIN PAN HORIZONTAL, SMALL (M1)
212	0161A00054	DRAIN PAN, EXTENSION, SMALL (M1, M2, M3, M4, M5, M6, M8, M9)
212	0161A00056	DRAIN PAN, EXTENSION, TALL (M7, M10)
232	0121A00633	BRACKET, DRIP SHIELD (M1, M2, M3, M4, M5, M8)
232	0121A00634	BRACKET, DRIP SHIELD (M6, M7, M9, M10)
252	0151R00130	VALVE, TXV R-410A (M1, M2, M3)
252	0151R00131	VALVE, TXV R-410A (M4, M5, M6, M7)
252	0151R00133	VALVE, TXV R-410A (M8, M9, M10)
NS	0163M00175	CAP WITH O-RING
NS	0154A00006BL	Gasket, Drain Pan
NS	0154A00007BL	Gasket, Drain Pan

Expanded Model Nomenclature

- | |
|--------------------|
| M1 - DV25PTCB14AA |
| M2 - DV29PTCB14AA |
| M3 - DV31PTCC14AA |
| M4 - DV37PTCB14AA |
| M5 - DV37PTCC14AA |
| M6 - DV37PTCD14AA |
| M7 - DV49PTCD14AA |
| M8 - DV59PTCC14AA |
| M9 - DV59PTCD14AA |
| M10 - DV61PTCD14AA |

BLOWER ASSY

*If end bells are needed please order the following:
0131M00182 - 1/2 HP
0131M00183 - 3/4 HP
0131M00184 - 1 HP



BLOWER ASSY

Ref. Part No:	No:	Description:	Ref. Part No:	No:	Description:
Image 1:					
21	0131M00272	MOTOR, 1 HP, SERIAL ECM (M8, M9, M10)			
21	0131M00270	MOTOR, 1/2 HP, SERIAL ECM (M1)			
21	0131M00271	MOTOR, 3/4 HP, SERIAL ECM (M2, M3, M4, M5, M6, M7)			
31	0121M00038	MOTOR MOUNT BAND (M1, M2, M3, M4, M5)			
31	0121M00039	MOTOR MOUNT BAND (HEAVY DUTY) (M6, M7, M8, M9, M10)			
41	B1376853	MOTOR MOUNT ARM (M3, M5)			
41	B1376861	MOTOR MOUNT ARM (M1, M2, M4)			
41	B1376863	MOTOR MOUNT ARM (HEAVY DUTY) (M6, M7, M8, M9, M10)			
51	B1392918	WASHER, FLAT 1/4 ID X 1 OD (QTY 3)			
61	M0250565	TC SCREW 1.25" (QTY 3)			
71	0163M00320	HEX HED ALL THREAD TAP BOLT			
81	B1393800	LOCKNUT, NYLON, INSERT 1/4, 20			
101	0271A00016	BLOWER HOUSING ASSY 10 X 10 (M6, M7)			
101	0271A00029	BLOWER HOUSING ASSY 10 X 8 (M3, M5, M8)			
101	0271A00206	BLOWER SHELL ASSY (M9, M10)			
101	0271A00299	BLOWER SHELL ASSY 9X6,MORRISON (M1, M2, M4)			
121	764741	BLOWER BLOCK-OFF 10 X 10 (M6, M7)			
121	764740	BLOWER BLOCK-OFF 10 X 8 (M3, M5, M8)			
131	D6723306	BLOWER WHEEL (M6, M7)			
131	B1368016	BLOWER WHEEL 10 X 8 (M8)			
131	B1368058	BLOWER WHEEL 10 X 8 (M3, M5)			
181	0259A00020	HIGH VOLTAGE WIRE HARNESS			
191	0259A00019	WIRE HARNESS (M1, M2, M3, M4, M5, M8)			
191	0259M00008	WIRE HARNESS (M6, M7, M9, M10)			
NS	0130A00125	PCB SHARED DATA (M1)			
NS	0130A00126	PCB SHARED DATA (M2)			
NS	0130A00127	PCB SHARED DATA (M4)			
NS	0130A00128	PCB SHARED DATA (M3)			
NS	0130A00129	PCB SHARED DATA (M5)			
NS	0130A00130	PCB SHARED DATA (M8)			
NS	0130A00131	PCB SHARED DATA (M6)			
NS	0130A00132	PCB SHARED DATA (M9)			
NS	0130A00133	PCB SHARED DATA (M7)			
NS	0130A00134	PCB SHARED DATA (M10)			
NS	B1393530	SCREW HWH,10 X 1/2, A, YZD, SLOT, SR (M1, M2, M4, M9, M10)			

Expanded Model Nomenclature

M1 - DV25PTCB14AA
M2 - DV29PTCB14AA
M3 - DV31PTCC14AA
M4 - DV37PTCB14AA
M5 - DV37PTCC14AA
M6 - DV37PTCD14AA
M7 - DV49PTCD14AA
M8 - DV59PTCC14AA
M9 - DV59PTCD14AA
M10 - DV61PTCD14AA