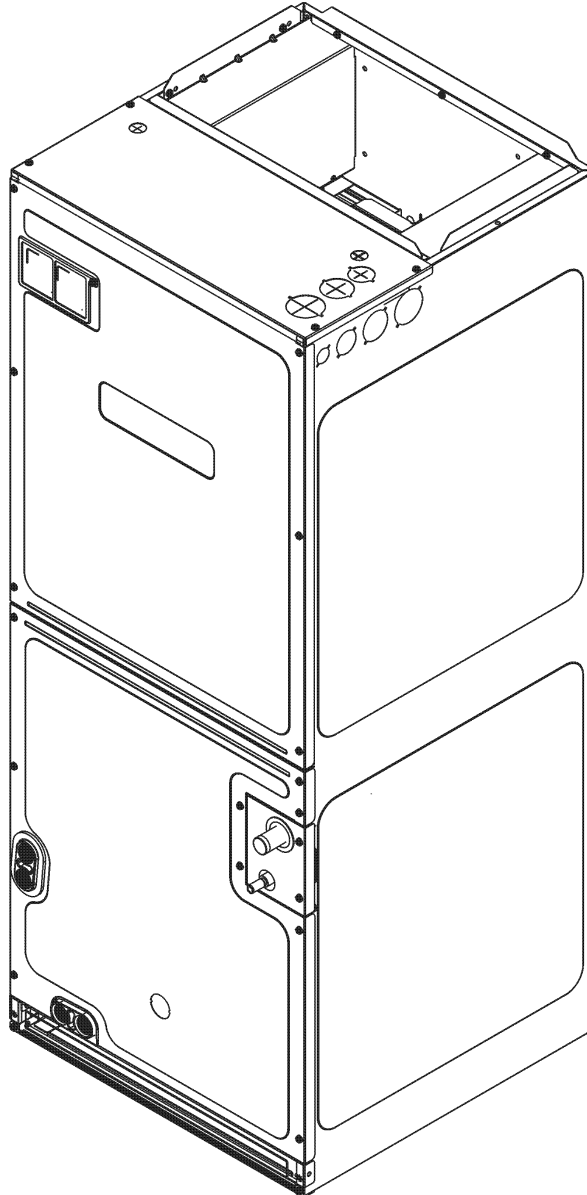


DVPEC Air Handler**

DV25PECB14AA
DV25PECB14AB
DV25PECB14AC
DV37PECC14AA
DV37PECC14AB
DV37PECC14AC
DV59PECD14AA
DV59PECD14AB
DV59PECD14AC
DV61PECD14AA
DV61PECD14AB
DV61PECD14AC



This manual is to be used by qualified technicians only.

This manual replaces RP-D4032A.

© 2015 - 2017 **DAIKIN MANUFACTURING COMPANY, L.P.** ♦ 5151 San Felipe St., Suite 500 ♦ Houston, TX 77056

Important Information

Index

Functional Parts List	3
Illustration and Parts	4 - 9

Views shown are for parts illustrations only, not servicing procedures.

Text Codes:

AR - As Required

NA - Not Available

NS - Not Shown

00000000 - See Note

QTY - Quantity Example (QTY 3) (If Quantity not shown, Quantity = 1)

M - Model Example (M1) (If M Code not shown, then part is used on all Models)

Expanded Model Nomenclature:

Example M1 - Model#1 M2 - Model#2 M3 - Model#3

Daikin Manufacturing Company, L.P. is not responsible for personal injury or property damage resulting from improper service. Review all service information before beginning repairs.

Warranty service must be performed by an authorized technician, using authorized factory parts. If service is required after the warranty expires, Daikin Manufacturing Company, L.P. also recommends contacting an authorized technician and using authorized factory parts.

Daikin Manufacturing Company, L.P. reserves the right to discontinue, or change at any time, specifications or designs without notice or without incurring obligations.

For assistance within the U.S.A. contact:

Homeowner Support
Daikin North America, LLC
19001 Kermier Road
Waller, Texas 77484
855-770-5678-Telephone
713-863-2382-Facsimile

For assistance outside the U.S.A. contact:

International Division
Daikin North America, LLC
19001 Kermier Road
Waller, Texas 77484
713-861-2500-Telephone
713-863-2382-Facsimile

Functional Parts

Part

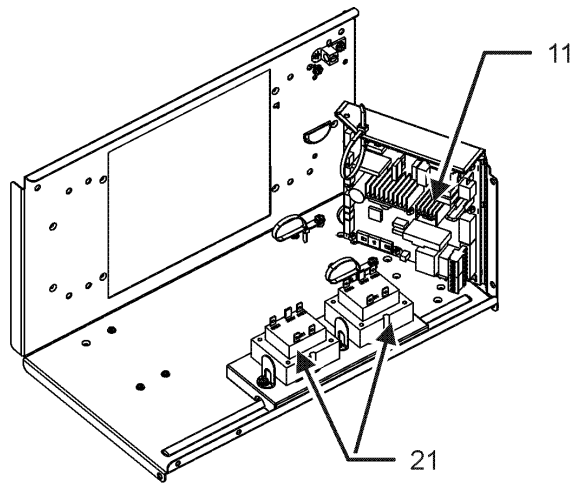
No: Description:

0131M00272	MOTOR, 1 HP, SERIAL ECM (M7, M8, M9, M10, M11, M12)
0131M00270	MOTOR, 1/2 HP, SERIAL ECM (M1, M2, M3)
0131M00271	MOTOR, 3/4 HP, SERIAL ECM (M4, M5, M6)
2P383866-1	PCB FAN ASSY
3S481012-1	PRESSURE SENSOR
0130M00262	SHARED DATA (M10)
0130M00259	SHARED DATA (M1)
0130M00261	SHARED DATA (M7)
0130M00436	SHARED DATA (M12)
0130M00372	SHARED DATA (M2)
0130M00377	SHARED DATA (M5)
0130M00384	SHARED DATA (M8)
0130M00387	SHARED DATA (M11)
0130M00428	SHARED DATA (M3)
0130M00430	SHARED DATA (M6)
0130M00433	SHARED DATA (M9)
0130M00260	SHARED DATA (M4)
0130M00138	TRANSFORMER 208/230, 24V (QTY 2)

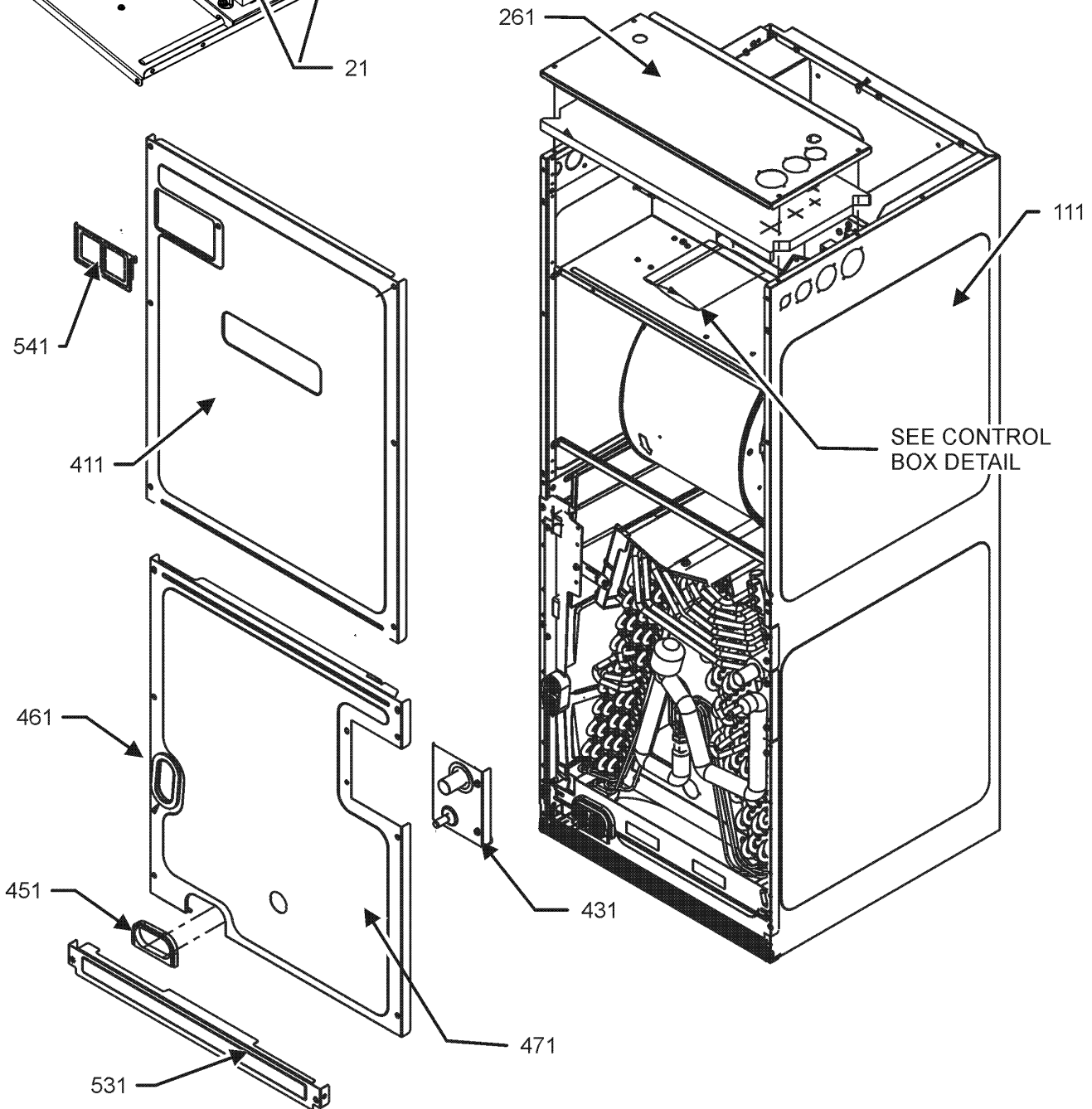
Expanded Model Nomenclature

M1 - DV25PECB14AA
M2 - DV25PECB14AB
M3 - DV25PECB14AC
M4 - DV37PECC14AA
M5 - DV37PECC14AB
M6 - DV37PECC14AC
M7 - DV59PECD14AA
M8 - DV59PECD14AB
M9 - DV59PECD14AC
M10 - DV61PECD14AA
M11 - DV61PECD14AB
M12 - DV61PECD14AC

WRAPPER & CONTROL BOX ASSY



CONTROL BOX DETAIL

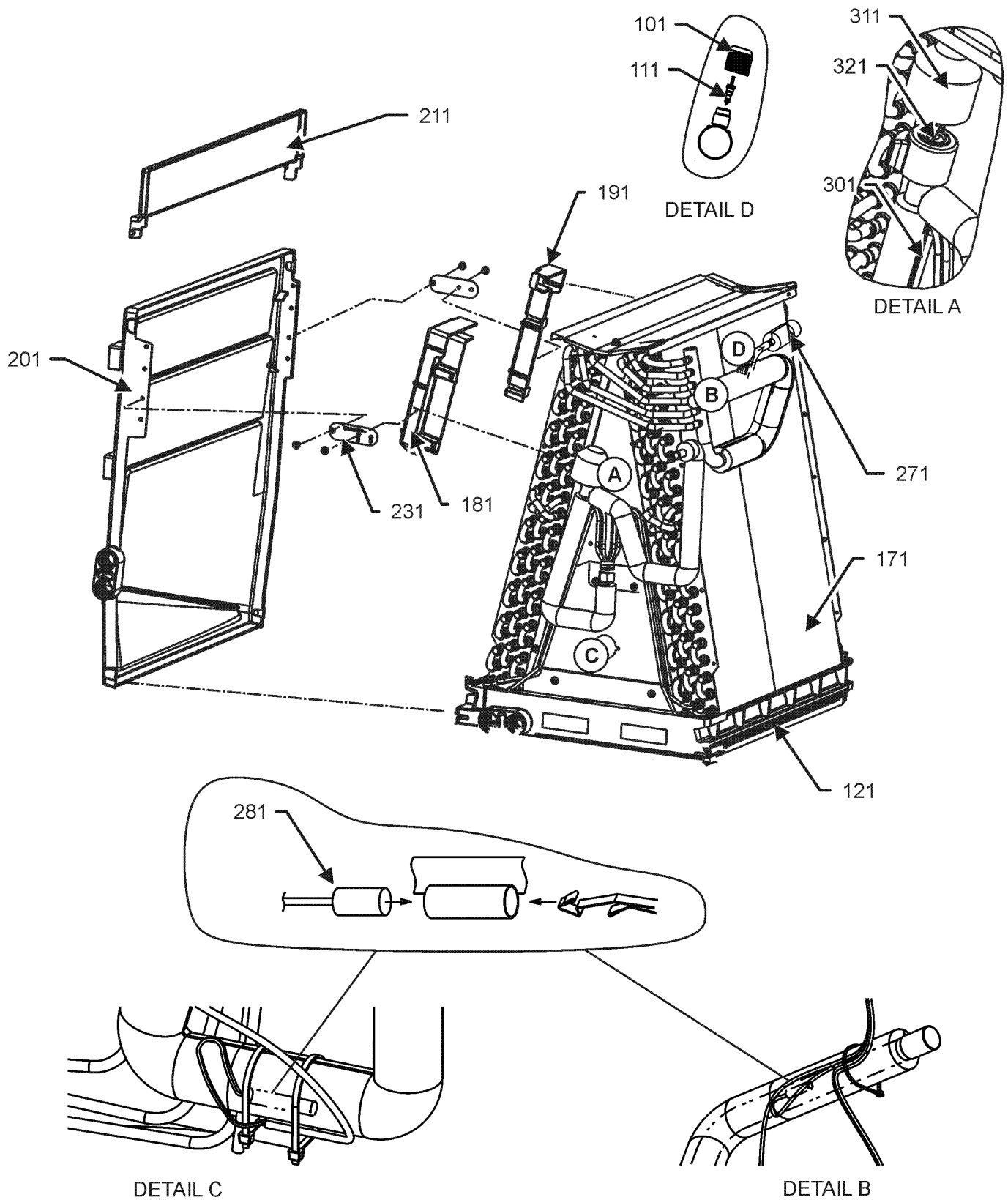


SEE CONTROL BOX DETAIL

WRAPPER & CONTROL BOX ASSY

Ref. Part No:	Description:	Ref. Part No:	Description:
Image 1:		Expanded Model Nomenclature	
11	2P383866-1 PCB FAN ASSY	M1	DV25PECB14AA
21	0130M00138 TRANSFORMER 208/230, 24V (QTY 2)	M2	DV25PECB14AB
111	0121A00276PNG Wrapper (M10, M11, M12)	M3	DV25PECB14AC
111	0121A00455PNG Wrapper (M7, M8, M9)	M4	DV37PECC14AA
111	0121A00456PNG Wrapper (M4, M5, M6)	M5	DV37PECC14AB
111	0121A00458PNG Wrapper (M1, M2, M3)	M6	DV37PECC14AC
261	0121A00373PNG Plate, Upper Tie (M1, M2, M3)	M7	DV59PECD14AA
261	0121A00374PNG Plate, Upper Tie (M4, M5, M6)	M8	DV59PECD14AB
261	0121A00375PNG Plate, Upper Tie (M7, M8, M9, M10, M11, M12)	M9	DV59PECD14AC
411	0121A00836PNG PANEL, UPPER ACCESS (M7, M8, M9, M10, M11, M12)	M10	DV61PECD14AA
411	0121A00837PNG PANEL, UPPER ACCESS (M4, M5, M6)	M11	DV61PECD14AB
411	0121A00838PNG PANEL, UPPER ACCESS (M1, M2, M3)	M12	DV61PECD14AC
431	0121A00658PNG Panel, Refrigerant Tubing		
451	0154A00006BL GASKET, DRAIN PAN		
461	0154A00007BL GASKET, DRAIN PAN		
471	0121A00460PNG Panel, Lower Access (M7, M8, M9)		
471	0121A00461PNG Panel, Lower Access (M4, M5, M6)		
471	0121A00463PNG Panel, Lower Access (M1, M2, M3)		
471	0121A00618PNG Panel, Lower Access (M10, M11, M12)		
531	0121A00242PNG Panel, Filter Access (M1, M2, M3)		
531	0121A00243PNG Panel, Filter Access (M4, M5, M6)		
531	0121A00244PNG Panel, Filter Access (M7, M8, M9, M10, M11, M12)		
541	0161A00073 CIRCUIT BREAKER COVER		
NS	0164A00002 GROMMET		
NS	0163M00036 SCREW,#10X1/2,B,BZ,SLOT,SR,BLK (QTY 4)		
NS	0130M00259 SHARED DATA (M1)		
NS	0130M00260 SHARED DATA (M4)		
NS	0130M00261 SHARED DATA (M7)		
NS	0130M00262 SHARED DATA (M10)		
NS	0130M00372 SHARED DATA (M2)		
NS	0130M00377 SHARED DATA (M5)		
NS	0130M00384 SHARED DATA (M8)		
NS	0130M00387 SHARED DATA (M11)		
NS	0130M00428 SHARED DATA (M3)		
NS	0130M00430 SHARED DATA (M6)		
NS	0130M00433 SHARED DATA (M9)		
NS	0130M00436 SHARED DATA (M12)		
NS	0163A00026 THUMB SCREW (QTY 2)		
NS	BT1392909 WASHER; SS RETAINING (QTY 2)		
NS	0259A00033P WIRE ASSY, 9 PIN FEMALE CONN.		
NS	0259A00021 WIRE ASSY, 9 PIN FEMALE CONN. (NO ELEC HEAT)		
NS	0259A00023 WIRE HARNESS (MAIN PCB TO PRES SENSOR)		
NS	0259A00024 WIRE HARNESS (MAIN PCB TO THERMISTORS)		
NS	0259A00025 WIRE HARNESS (PCB TO EEV COIL)		
NS	0259A00031P WIRE HARNESS, CONNECTOR		

COIL ASSEMBLY



NOTE: COIL TUBING ASSEMBLY MAY DIFFER FROM WHAT IS SHOWN

COIL ASSEMBLY

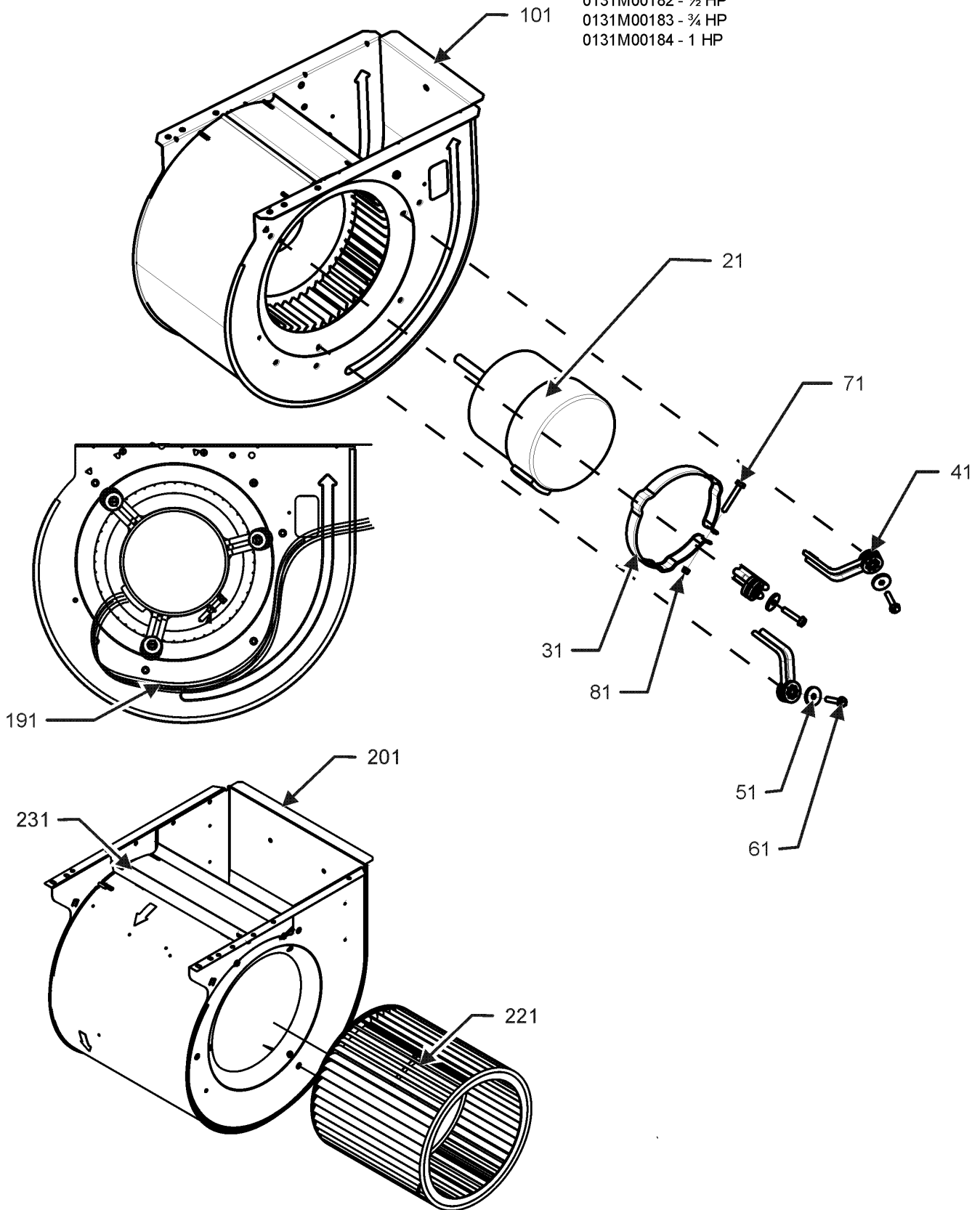
Ref. Part No:	Ref. Part No:	Description:	Description:
Image 1:			
101	0163M00175	CAP WITH O-RING	
111	B1787000	VALVE CORE	
121	0161A00049	DRAINPAN, VERTICAL (M1, M2, M3)	
121	0161A00051	DRAINPAN, VERTICAL (M7, M8, M9, M10, M11, M12)	
121	0161A00052	DRAINPAN, VERTICAL (M4, M5, M6)	
171	0270A01026	COIL TUBING ASSY (M1, M2, M3)	
171	0270A01027	COIL TUBING ASSY (M4, M5, M6)	
171	0270A01028	COIL TUBING ASSY (M7, M8, M9)	
171	0270A01029	COIL TUBING ASSY (M10, M11, M12)	
181	0161A00060	CONDENSATE, COLLECT, FRONT	
191	0161A00061	CONDENSATE, COLLECT, BACK	
201	0161A00053	DRAIN PAN HORIZONTAL, TALL	
211	0161A00054	DRAIN PAN, EXTENSION, SMALL (M1, M2, M3, M4, M5, M6, M7, M8, M9)	
211	0161A00056	DRAIN PAN, EXTENSION, TALL (M10, M11, M12)	
231	0121A00633	BRACKET, DRIP SHIELD (M1, M2, M3, M4, M5, M6)	
231	0121A00634	BRACKET, DRIP SHIELD (M7, M8, M9, M10, M11, M12)	
271	3S481012-1	PRESSURE SENSOR	
281	4P389796-1	THERMISTOR ASSY	
301	3P381420-2	EEV COIL	
311	4P399446-1	WATERPROOF CAP	
321	3S500031-1	Pulse Motor Expans EEV	

Expanded Model Nomenclature

M1 - DV25PECB14AA
M2 - DV25PECB14AB
M3 - DV25PECB14AC
M4 - DV37PECC14AA
M5 - DV37PECC14AB
M6 - DV37PECC14AC
M7 - DV59PECD14AA
M8 - DV59PECD14AB
M9 - DV59PECD14AC
M10 - DV61PECD14AA
M11 - DV61PECD14AB
M12 - DV61PECD14AC

BLOWER ASSEMBLY

*If end bells are needed please order the following:
0131M00182 - ½ HP
0131M00183 - ¾ HP
0131M00184 - 1 HP



BLOWER ASSEMBLY

Ref. Part No:	Part No:	Description:	Ref. Part No:	Part No:	Description:
<i>Image 1:</i>					
21	0131M00272	MOTOR, 1 HP, SERIAL ECM (M7, M8, M9, M10, M11, M12)			
21	0131M00270	MOTOR, 1/2 HP, SERIAL ECM (M1, M2, M3)			
21	0131M00271	MOTOR, 3/4 HP, SERIAL ECM (M4, M5, M6)			
31	0121M00038	MOTOR MOUNT BAND (M1, M2, M3)			
31	0121M00039	MOTOR MOUNT BAND (HEAVY DUTY) (M4, M5, M6, M7, M8, M9, M10, M11, M12)			
41	B1376853	MOTOR MOUNT ARM (M1, M2, M3)			
41	B1376863	MOTOR MOUNT ARM (HEAVY DUTY) (M4, M5, M6, M7, M8, M9, M10, M11, M12)			
51	B1392918	WASHER, FLAT 1/4 ID X 1 OD (QTY 3)			
61	M0250565	TC SCREW 1.25" (QTY 3)			
71	0163M00320	HEX HED ALL THREAD TAP BOLT			
81	B1393800	LOCKNUT, NYLON, INSERT 1/4, 20			
101	0271A00203	BLOWER SHELL ASSY (M1, M2, M3)			
101	0271A00206	BLOWER SHELL ASSY (M7, M8, M9, M10, M11, M12)			
191	0259M00008	WIRE HARNESS			
201	0271A00016	BLOWER HOUSING ASSY 10 X 10 (M4, M5, M6)			
221	764741	BLOWER BLOCK-OFF 10 X 10 (M4, M5, M6)			
231	D6723306	BLOWER WHEEL (M4, M5, M6)			
NS	B1393530	SCREW HWH, 10 X 1/2, A, YZD, SLOT, SR (M1, M2, M3, M7, M8, M9, M10, M11, M12)			

Expanded Model Nomenclature

M1 - DV25PECB14AA
M2 - DV25PECB14AB
M3 - DV25PECB14AC
M4 - DV37PECC14AA
M5 - DV37PECC14AB
M6 - DV37PECC14AC
M7 - DV59PECD14AA
M8 - DV59PECD14AB
M9 - DV59PECD14AC
M10 - DV61PECD14AA
M11 - DV61PECD14AB
M12 - DV61PECD14AC