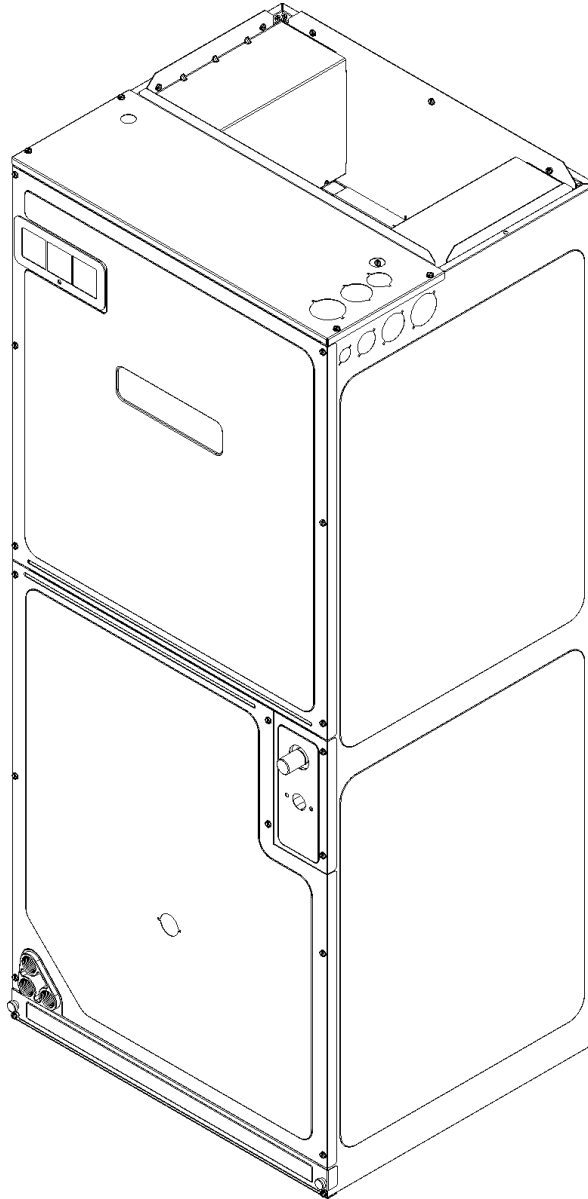


Daikin Inverter Air Handler

DV24PVCC14AA
DV36PVCD14AA
DV36PVCD14AB
DV48PVCD14AA
DV48PVCD14AB
DV60PVCD14AA
DV60PVCD14AB



This manual is to be used by qualified technicians only.

This manual replaces RP-D4018.

© 2014 **DAIKIN MANUFACTURING COMPANY, L.P.** ♦ 5151 San Felipe St., Suite 500 ♦ Houston, TX 37056

Important Information

Index

Functional Parts List	3
Illustration and Parts	4 - 9

Views shown are for parts illustrations only, not servicing procedures

Rev A: Updates to the shared data card.

Text Codes:

AR - As Required

NA - Not Available

NS - Not Shown

00000000 - See Note

QTY - Quantity Example (QTY 3) (If Quantity not shown, Quantity = 1)

M - Model Example (M1) (If M Code not shown, then part is used on all Models)

Expanded Model Nomenclature:

Example M1 - Model#1 M2 - Model#2 M3 - Model#3

Daikin Company, L.P. is not responsible for personal injury or property damage resulting from improper service. Review all service information before beginning repairs.

Warranty service must be performed by an authorized technician, using authorized factory parts. If service is required after the warranty expires, Daikin Company, L.P. also recommends contacting an authorized technician and using authorized factory parts.

Daikin Company, L.P. reserves the right to discontinue, or change at any time, specifications or designs without notice or without incurring obligations.

For assistance within the U.S.A. contact:

Consumer Affairs Department

Daikin North America, LLC

7401 Security Way

Houston, Texas 77040

855-770-5678-Telephone

713-863-2382-Facsimile

For assistance outside the U.S.A. contact:

International Division

Daikin North America, LLC

7401 Security Way

Houston, Texas 77040

713-861-2500-Telephone

713-863-2382-Facsimile

Functional Parts

Part

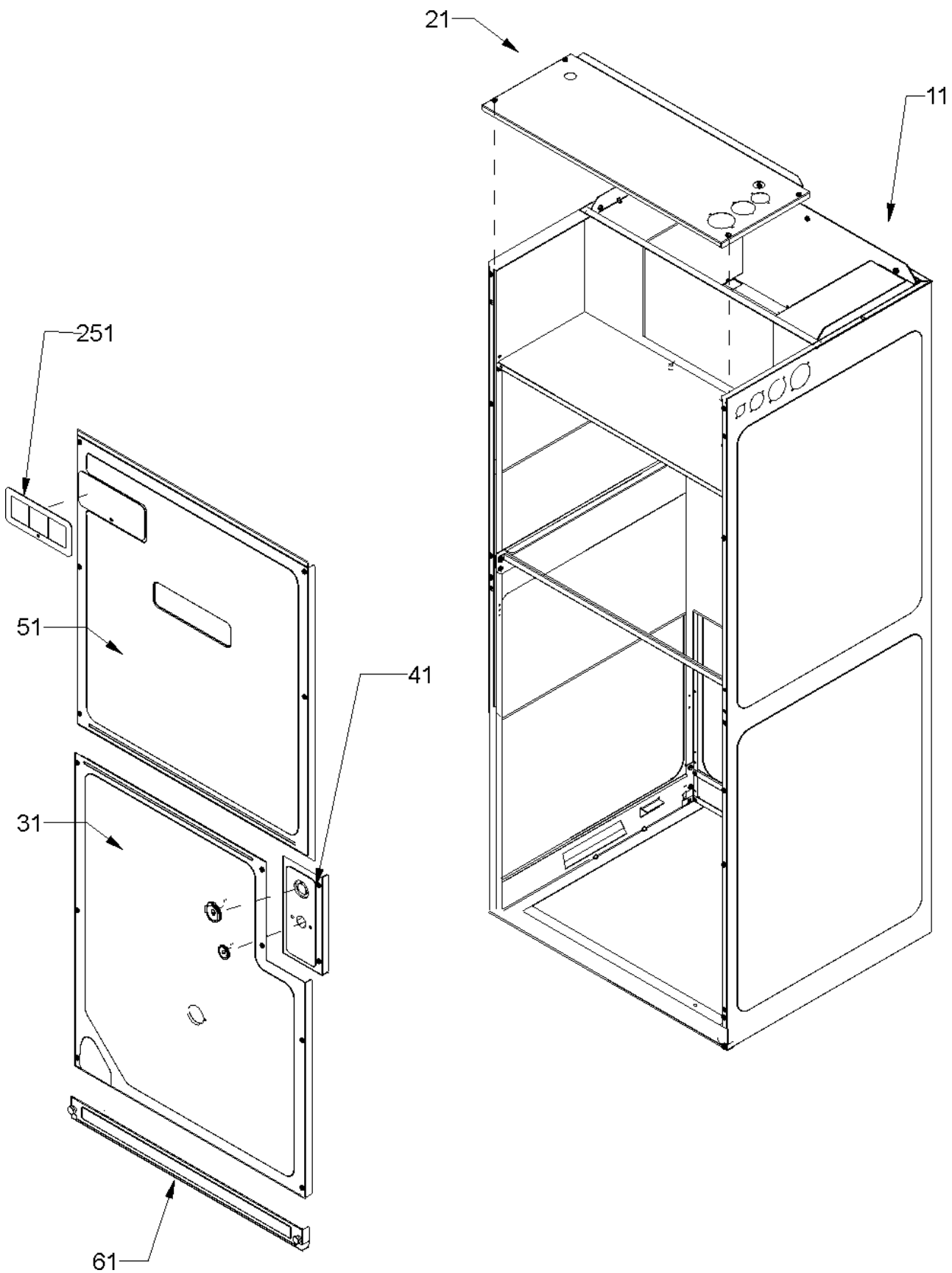
No: Description:

D6723306	BLOWER WHEEL (M2, M3, M4, M5)
D6723311	BLOWER WHEEL (M6, M7)
B1368058	BLOWER WHEEL 10 X 8 (M1)
0151R00086	DANFOSS TXV VALVE, 3 TON (M1)
0151R00087	DANFOSS TXV VALVE, 4 TON (M2, M3)
0151R00088	DANFOSS TXV VALVE, 4 TON (M4, M5)
0151R00089	DANFOSS TXV VALVE, 7 TON (M6, M7)
0130A00067	DATA AIRHANDLER PCB (M6)
0130A00066	DATA AIRHANDLER PCB (M4)
0130A00065	DATA AIRHANDLER PCB (M2)
0130A00093	DATA AIRHANDLER PCB (M5)
0130A00094	DATA AIRHANDLER PCB (M7)
0130A00092	DATA AIRHANDLER PCB (M3)
0130A00064	DATA, AIRHANDLER PCB (M1)
0131M00272	MOTOR, 1 HP, SERIAL ECM (M6, M7)
0131M00270	MOTOR, 1/2 HP, SERIAL ECM (M1)
0131M00271	MOTOR, 3/4 HP, SERIAL ECM (M2, M3, M4, M5)
PCBJA103	PCB, CONTROL, AIR HANDLER
0130M00138	TRANSFORMER 208/230, 24V

Expanded Model Nomenclature

M1 - DV24PVCC14AA
M2 - DV36PVCD14AA
M3 - DV36PVCD14AB
M4 - DV48PVCD14AA
M5 - DV48PVCD14AB
M6 - DV60PVCD14AA
M7 - DV60PVCD14AB

Cabinet Assy



Cabinet Assy

Ref. Part No: No:	Description:	Ref. Part No: No:	Description:
-------------------	--------------	-------------------	--------------

Image 1:

11	0121A00276PNG	Wrapper, LG, Painted (M2, M3, M4, M5, M6, M7)
11	0121A00280PNG	Wrapper, MED, Painted (M1)
21	0121A00374PNG	Plate, Upper Tie (M1)
21	0121A00375PNG	Plate, Upper Tie (M2, M3, M4, M5, M6, M7)
31	0121A00249PNG	Panel, Lower Access (M1)
31	0121A00250PNG	Panel, Lower Access (M2, M3, M4, M5, M6, M7)
41	0121A00366PNG	Panel, Refrigerant Tubing
51	0121A00388PNG	PANEL, UPPER ACCESS (M2, M3, M4, M5, M6, M7)
51	0121A00389PNG	PANEL, UPPER ACCESS (M1)
61	0121A00243PNG	Panel, Filter Access (M1)
61	0121A00244PNG	Panel, Filter Access (M2, M3, M4, M5, M6, M7)
251	0161A00034	PLASTIC BREAKER INSERT
NS	BT1369063	90 DEGREE STUB (M4, M5, M6, M7)
NS	0164A00002	GROMMET
NS	B1392630	GROMMET
NS	0163M00036	SCREW,#10X1/2,B,BZ,SLOT,SR,BLK
NS	0163A00023	THUMB SCREW (QTY 2)

Expanded Model Nomenclature

M1 - DV24PVCC14AA
M2 - DV36PVCD14AA
M3 - DV36PVCD14AB
M4 - DV48PVCD14AA
M5 - DV48PVCD14AB
M6 - DV60PVCD14AA
M7 - DV60PVCD14AB

Control Panel / Coil Tubing

IMAGE 1

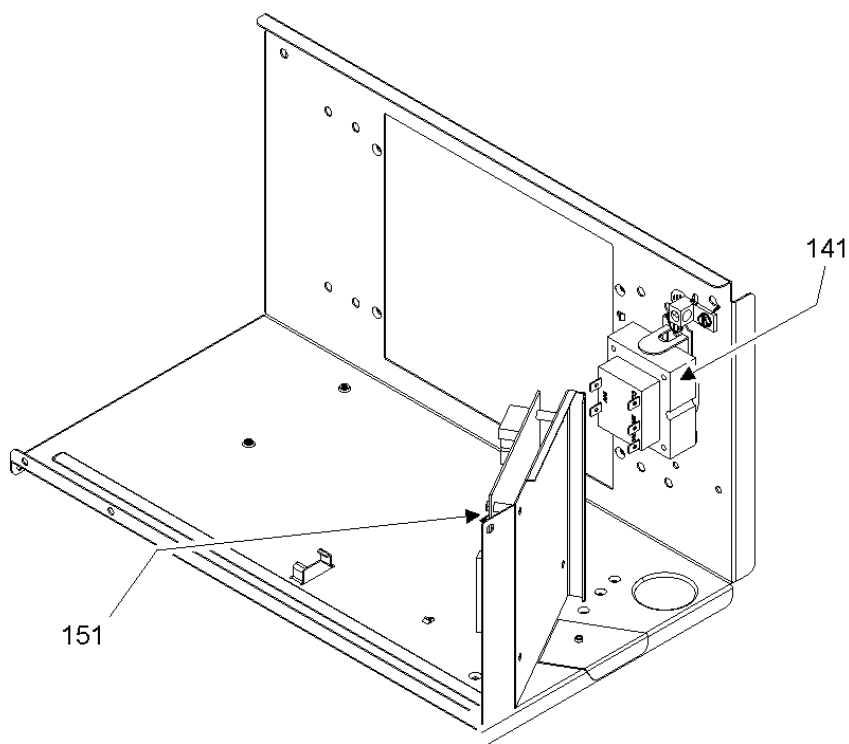
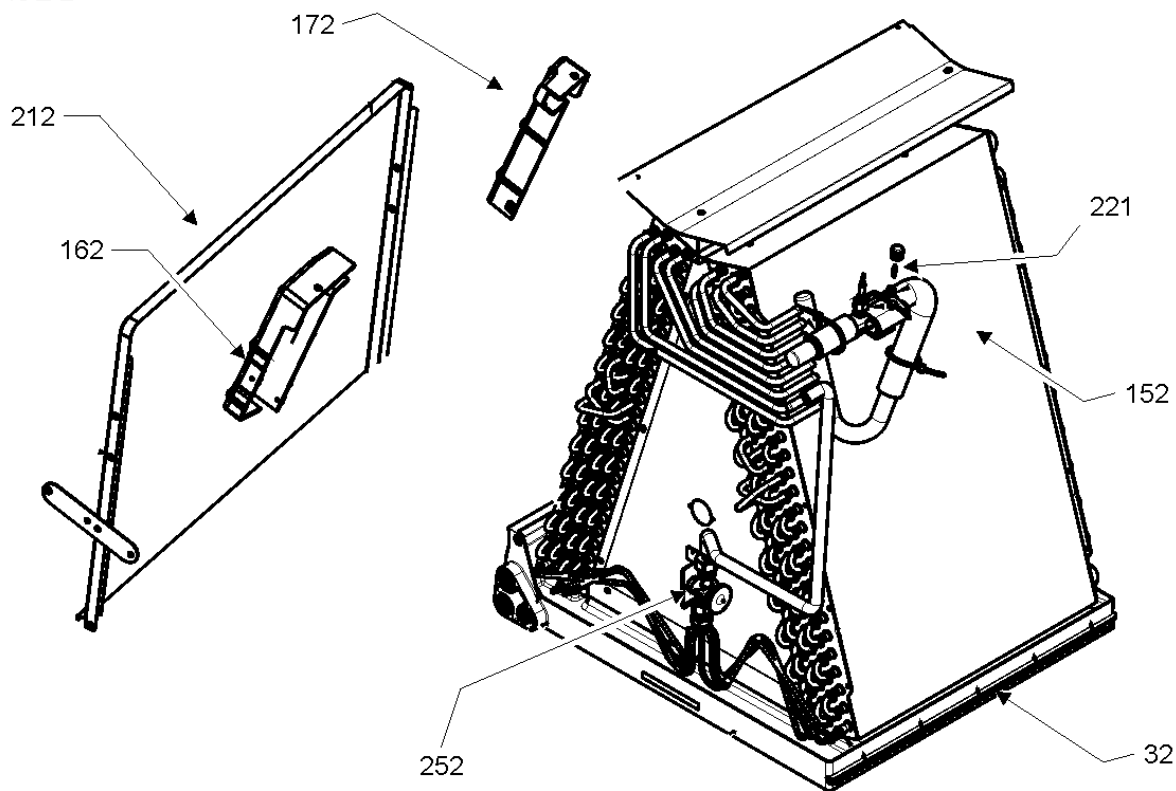


IMAGE 2



Control Panel / Coil Tubing

Ref. Part No: No:	Description:	Ref. Part No: No:	Description:
-------------------	--------------	-------------------	--------------

Image 1:

141	0130M00138	TRANSFORMER 208/230, 24V
151	PCBJA103	PCB, CONTROL, AIR HANDLER
NS	0259A00012P	WIRE ASSY, 9 PIN FEMALE CONN.
NS	0259A00016	WIRE HARNESS

Image 2:

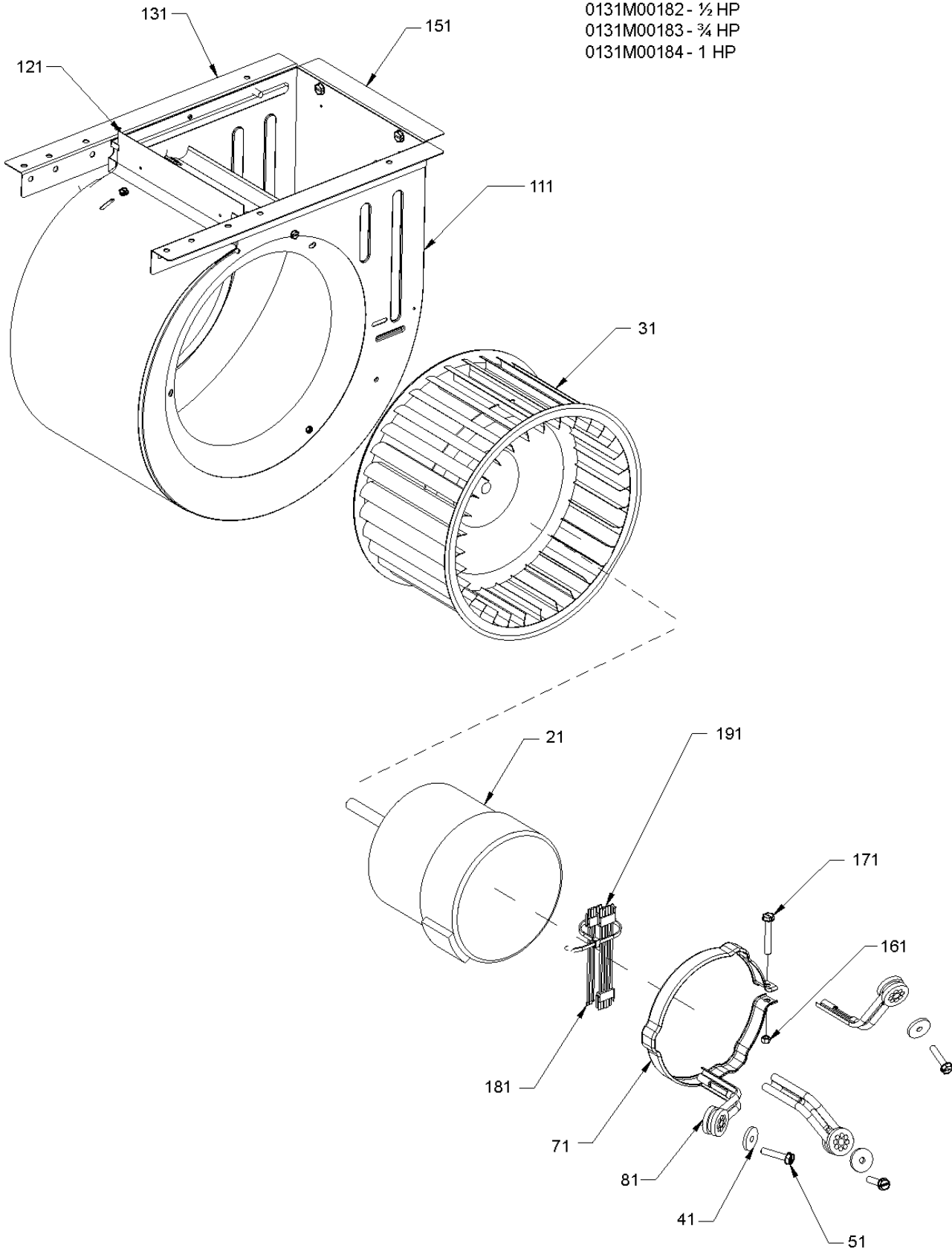
32	0161A00027	DRAIN PAN (M1)
32	0161A00028	DRAIN PAN (M2, M3, M4, M5, M6, M7)
152	0270A000781	COIL TUBE ASSY (M2, M3)
152	0270A000782	COIL TUBE ASSY (M4, M5)
152	0270A000783	COIL TUBE ASSY (M6, M7)
152	0270A000780	COIL TUBING ASSY (M1)
162	0161A00047	Plastic Condensate Collector
172	0161A00048	Plastic Condensate Collector
212	0121A00305PDG	Drip Shield, Ptd (M1)
212	0121A00306PDG	Drip Shield, Ptd (M2, M3, M4, M5, M6, M7)
222	B1787000	VALVE CORE
252	0151R00086	DANFOSS TXV VALVE, 3 TON (M1)
252	0151R00087	DANFOSS TXV VALVE, 4 TON (M2, M3)
252	0151R00088	DANFOSS TXV VALVE, 4 TON (M4, M5)
252	0151R00089	DANFOSS TXV VALVE, 7 TON (M6, M7)
NS	0163M00175	CAP WITH O-RING
NS	0154A00003BL	Gasket, Drain Pan

Expanded Model Nomenclature

M1 - DV24PVCC14AA
M2 - DV36PVCD14AA
M3 - DV36PVCD14AB
M4 - DV48PVCD14AA
M5 - DV48PVCD14AB
M6 - DV60PVCD14AA
M7 - DV60PVCD14AB

Blower Components

*If end bells are needed please order the following:
0131M00182 - 1/2 HP
0131M00183 - 3/4 HP
0131M00184 - 1 HP



Blower Components

Ref. Part No: No:	Description:	Ref. Part No: No:	Description:
Image 1:			
21	0131M00272		MOTOR, 1 HP, SERIAL ECM (M6, M7)
21	0131M00270		MOTOR, 1/2 HP, SERIAL ECM (M1)
21	0131M00271		MOTOR, 3/4 HP, SERIAL ECM (M2, M3, M4, M5)
31	D6723306		BLOWER WHEEL (M2, M3, M4, M5)
31	D6723311		BLOWER WHEEL (M6, M7)
31	B1368058		BLOWER WHEEL 10 X 8 (M1)
41	B1392918		WASHER, FLAT 1/4 ID X 1 OD (QTY 3)
51	M0250565		TC SCREW 1.25" (QTY 3)
71	0121M00038		MOTOR MOUNT BAND (M1)
71	0121M00039		MOTOR MOUNT BAND (HEAVY DUTY) (M2, M3, M4, M5, M6, M7)
81	B1376853		MOTOR MOUNT ARM (M1)
81	B1376863		MOTOR MOUNT ARM (HEAVY DUTY) (M2, M3, M4, M5, M6, M7)
111	0271A00016		BLOWER HOUSING ASSY 10 X 10 (M2, M3, M4, M5)
111	0271A00029		BLOWER HOUSING ASSY 10 X 8 (M1)
111	0271A00013		BLOWER HOUSING ASSY 11 X 10 (M6, M7)
121	764741		BLOWER BLOCK-OFF 10 X 10 (M2, M3, M4, M5)
121	764740		BLOWER BLOCK-OFF 10 X 8 (M1)
121	1864700		BLOWER CUT-OFF 10 X 10 (M6, M7)
131	0121A00275		Rail, Blower (M6, M7)
151	0121A00353		Angle, Blower Mounting (M6, M7)
161	B1393800		LOCKNUT, NYLON, INSERT 1/4, 20
171	B1393323		MACHINE SCREW HWH 1/4-20 X 1-1/2 BZ
181	0259A00020		HIGH VOLTAGE WIRE HARNESS
191	0259A00019		WIRE HARNESS
NS	0130A00065		DATA AIRHANDLER PCB (M2)
NS	0130A00066		DATA AIRHANDLER PCB (M4)
NS	0130A00067		DATA AIRHANDLER PCB (M6)
NS	0130A00092		DATA AIRHANDLER PCB (M3)
NS	0130A00093		DATA AIRHANDLER PCB (M5)
NS	0130A00094		DATA AIRHANDLER PCB (M7)
NS	0130A00064		DATA, AIRHANDLER PCB (M1)

Expanded Model Nomenclature

M1 - DV24PVCC14AA
M2 - DV36PVCD14AA
M3 - DV36PVCD14AB
M4 - DV48PVCD14AA
M5 - DV48PVCD14AB
M6 - DV60PVCD14AA
M7 - DV60PVCD14AB

*If end bells are needed please order the following:

0131M00182 - 1/2 HP
 0131M00183 - 3/4 HP
 0131M00184 - 1 HP