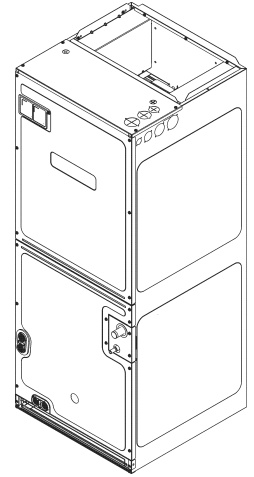


DVPTC Air Handler**

DV25PTCB14AC
DV29PTCB14AC
DV31PTCC14AE
DV31PTCC14AF
DV33PTCC14AC
DV33PTCC14AD
DV35PTCB14AC
DV37PTCB14AC
DV37PTCC14AD
DV37PTCC14AE
DV37PTCD14AD
DV37PTCD14AE
DV39PTCC14AC
DV39PTCC14AD
DV49PTCC14AC
DV49PTCC14AD
DV49PTCD14AC
DV49PTCD14AD
DV59PTCC14AD
DV59PTCC14AE
DV59PTCD14AD
DV59PTCD14AE
DV61PTCD14AD
DV61PTCD14AE



This manual is to be used by qualified technicians only.

This manual replaces RP-D4339

Important Information

Index

Functional Parts List	3
Illustration and Parts	4 - 9

Views shown are for parts illustrations only, not servicing procedures.

Text Codes:

AR - As Required

NA - Not Available

NS - Not Shown

00000000 - See Note

QTY - Quantity Example (QTY 3) (If Quantity not shown, Quantity = 1)

M - Model Example (M1) (If M Code not shown, then part is used on all Models)

Expanded Model Nomenclature:

Example
M1 - Model#1
M2 - Model#2
M3 - Model#3

Daikin Comfort Technologies Manufacturing , L.P. is not responsible for personal injury or property damage resulting from improper service. Review all service information before beginning repairs.

Warranty service must be performed by an authorized technician, using authorized factory parts. If service is required after the warranty expires, Daikin Comfort Technologies Manufacturing , L.P. also recommends contacting an authorized technician and using authorized factory parts.

Daikin Comfort Technologies Manufacturing , L.P. reserves the right to discontinue, or change at any time, specifications or designs without notice or without incurring obligations.

For assistance within the U.S.A. contact:
Homeowner Support
Daikin Comfort Technologies Manufacturing , L.P.
19001 Kermier Road
Waller, Texas 77484
855-770-5678-Telephone
713-863-2382-Facsimile

For assistance outside the U.S.A. contact:
International Division
Daikin Comfort Technologies Manufacturing , L.P.
19001 Kermier Road
Waller, Texas 77484
713-861-2500-Telephone
713-863-2382-Facsimile

Functional Parts

Part

No: Description:

SHARED DATA	Available thru CoolCloud HVAC app
0131M01011	MOTOR, 1 HP (M20, M22, M24)
0131M00272	MOTOR, 1 HP, SERIAL ECM (M19, M21, M23)
0131M01002	MOTOR, 1/2 HP (M1, M6, M7)
0131M00270	MOTOR, 1/2 HP, SERIAL ECM (M5)
0131M01003	MOTOR, 3/4 HP (M2, M4, M8, M10, M12, M14, M16, M18)
0131M00271	MOTOR, 3/4 HP, SERIAL ECM (M3, M9, M11, M13, M15, M17)
PCBJA104	PCB, CONTROL, AIR HANDLER
0130M00138	TRANSFORMER 208/230, 24V
0151R00199	VALVE, TXV R-410/A (M19, M20, M21, M22, M23, M24)
0151R00198	VALVE, TXV R-410/A (M8, M9, M10, M11, M12, M17, M18)
0151R00197	VALVE, TXV R-410/A (M1, M2, M3, M4)
0151M00067	VALVE, TXV R-410A BOOSTER CHG (M15, M16)
0151M00066	VALVE, TXV R-410A BOOSTER CHG (M7, M13, M14)
0151M00065	VALVE, TXV R-410A BOOSTER CHG (M5, M6)

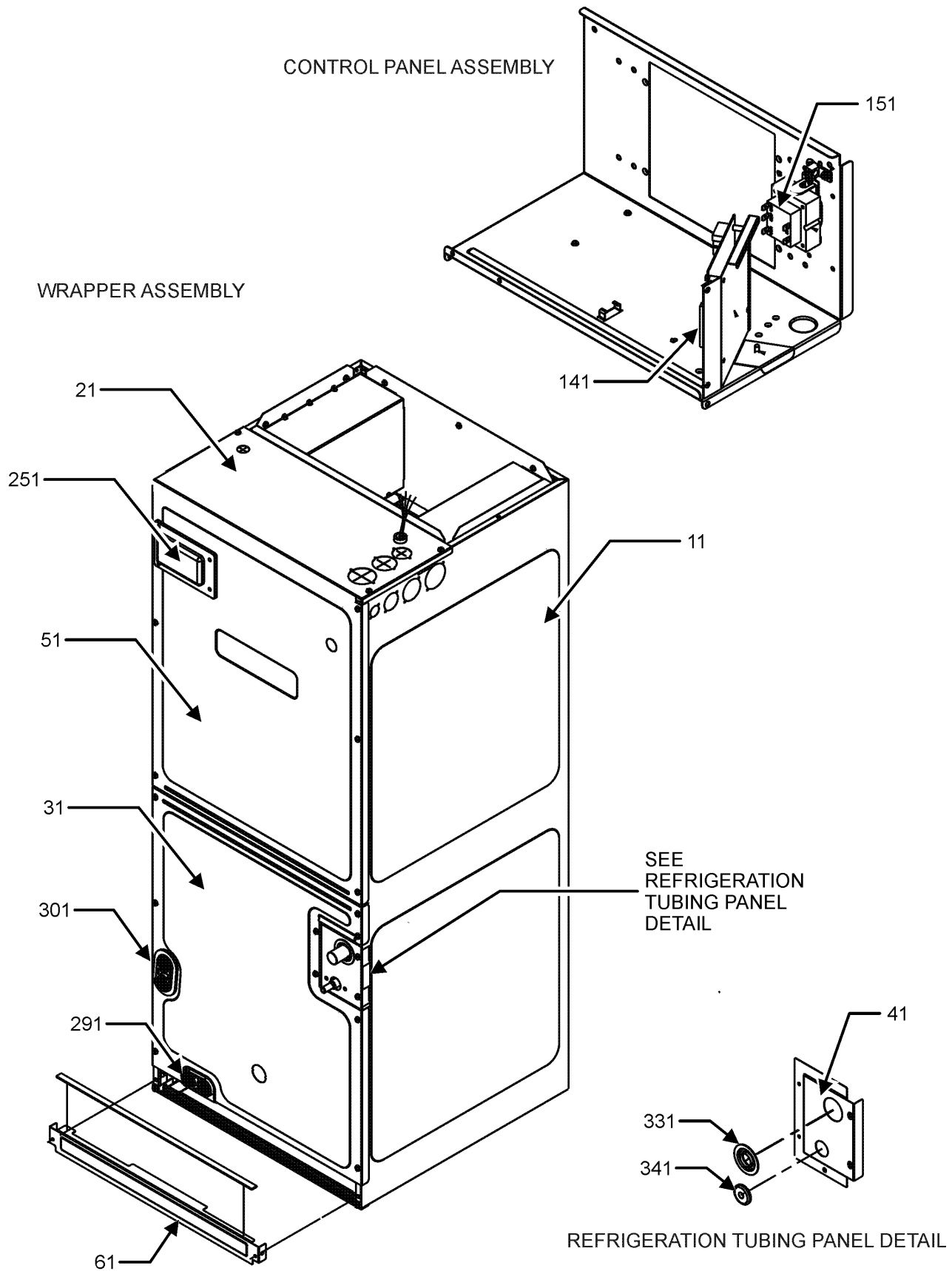
SPECIAL PARTS

PKCD-4001R PISTON KIT CHART

Expanded Model Nomenclature

M1 - DV25PTCB14AC
M2 - DV29PTCB14AC
M3 - DV31PTCC14AE
M4 - DV31PTCC14AF
M5 - DV33PTCC14AC
M6 - DV33PTCC14AD
M7 - DV35PTCB14AC
M8 - DV37PTCB14AC
M9 - DV37PTCC14AD
M10 - DV37PTCC14AE
M11 - DV37PTCD14AD
M12 - DV37PTCD14AE
M13 - DV39PTCC14AC
M14 - DV39PTCC14AD
M15 - DV49PTCC14AC
M16 - DV49PTCC14AD
M17 - DV49PTCD14AC
M18 - DV49PTCD14AD
M19 - DV59PTCC14AD
M20 - DV59PTCC14AE
M21 - DV59PTCD14AD
M22 - DV59PTCD14AE
M23 - DV61PTCD14AD
M24 - DV61PTCD14AE

Cabinet and Control Box Assembly

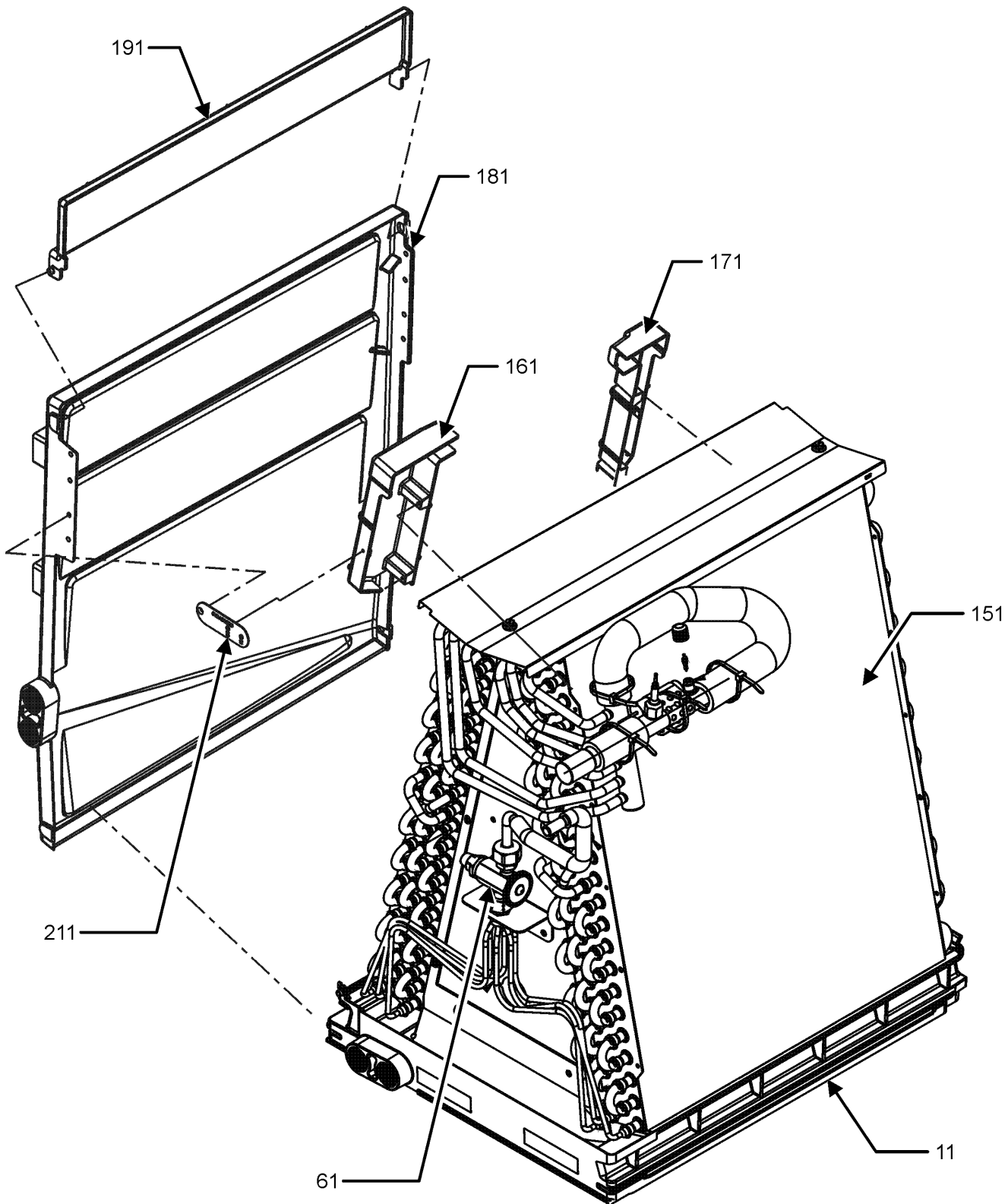


Cabinet and Control Box Assembly

Ref. Part No:	No:	Description:	Ref. Part No:	No:	Description:
Image 1:			Expanded Model Nomenclature		
11	0121A01476PNG	WRAPPER, AIR HANDLER, PAINTED (M5, M6, M13, M14, M15, M16)	M1	-	DV25PTCB14AC
11	0121A00276PNG	Wrapper, LG, Painted (M17, M18, M23, M24)	M2	-	DV29PTCB14AC
11	0121A00455PNG	WRAPPER, PAINTED (M11, M12, M21, M22)	M3	-	DV31PTCC14AE
11	0121A00456PNG	WRAPPER, PAINTED (M3, M4, M9, M10, M19, M20)	M4	-	DV31PTCC14AF
11	0121A00458PNG	WRAPPER, PAINTED (M2, M8)	M5	-	DV33PTCC14AC
11	0121A00281PNG	Wrapper, SM, Painted (M1, M7)	M6	-	DV33PTCC14AD
21	0121A01483PNG	PLATE, UPPER TIE (M1, M2, M7, M8)	M7	-	DV35PTCB14AC
21	0121A01484PNG	PLATE, UPPER TIE (M3, M4, M5, M6, M9, M10, M13, M14, M15, M16, M19, M20)	M8	-	DV37PTCB14AC
21	0121A01485PNG	PLATE, UPPER TIE (M11, M12, M17, M18, M21, M22, M23, M24)	M9	-	DV37PTCC14AD
31	0121A00460PNG	LOWER ACCESS PANEL (M11, M12, M21, M22)	M10	-	DV37PTCC14AE
31	0121A00461PNG	LOWER ACCESS PANEL (M3, M4, M9, M10, M19, M20)	M11	-	DV37PTCD14AD
31	0121A00463PNG	LOWER ACCESS PANEL (M2, M8)	M12	-	DV37PTCD14AE
31	0121A00618PNG	LOWER ACCESS PANEL (M17, M18, M23, M24)	M13	-	DV39PTCC14AC
31	0121A00620PNG	LOWER ACCESS PANEL (M1, M7)	M14	-	DV39PTCC14AD
31	0121A00619PNG	LOWER ACCESS PANEL, PAINTED (M5, M6, M13, M14, M15, M16)	M15	-	DV49PTCC14AC
41	0121A00658PNG	REFRIGERATION TUBING PANEL	M16	-	DV49PTCC14AD
51	0121A01440PNG	PANEL, UPPER ACCESS (M11, M12, M17, M18, M21, M22, M23, M24)	M17	-	DV49PTCD14AC
51	0121A01441PNG	PANEL, UPPER ACCESS (M3, M4, M5, M6, M9, M10, M13, M14, M15, M16, M19, M20)	M18	-	DV49PTCD14AD
51	0121A01442PNG	PANEL, UPPER ACCESS (M1, M2, M7, M8)	M19	-	DV59PTCC14AD
61	0121A00242PNG	Panel, Filter Access (M1, M2, M7, M8)	M20	-	DV59PTCC14AE
61	0121A00243PNG	Panel, Filter Access (M3, M4, M5, M6, M9, M10, M13, M14, M15, M16, M19, M20)	M21	-	DV59PTCD14AD
61	0121A00244PNG	Panel, Filter Access (M11, M12, M17, M18, M21, M22, M23, M24)	M22	-	DV59PTCD14AE
141	PCBJA104	PCB, CONTROL, AIR HANDLER	M23	-	DV61PTCD14AD
151	0130M00138	TRANSFORMER 208/230, 24V	M24	-	DV61PTCD14AE
251	0161A00073	CIRCUIT BREAKER COVER			
291	0154A00006BL	GASKET, DRAIN PAN			
301	0154A00007BL	GASKET, DRAIN PAN			
331	B1392630	GROMMET (M2, M3, M4, M5, M6, M8, M9, M10, M11, M12, M13, M14, M15, M16, M17, M18, M19, M20, M21, M22, M23, M24)			
341	0164A00002	GROMMET			
NS	B1392136	2.00" VIEW PORT BUSHING			
NS	SHARED DATA	Available thru CoolCloud HVAC app			
NS	0163M00036	SCREW,#10X1/2,B,BZ,SLOT,SR,BLK (QTY 4)			
NS	0163A00026	THUMB SCREW (QTY 2)			
NS	BT1392909	WASHER; SS RETAINING (QTY 2)			
NS	0259A00012P	WIRE ASSY, 9 PIN FEMALE CONN			
NS	0259A00016	WIRE HARNESS			

Coil Assembly

COIL ASSEMBLY



COIL ASSEMBLY MAY DIFFER FROM WHAT IS SHOWN

Coil Assembly

Ref. Part No:	No:	Description:	Ref. Part No:	No:	Description:
Image 1:			Expanded Model Nomenclature		
11	0161A00051	DRAINPAN, VERTICAL (M11, M12, M17, M18, M21, M22, M23, M24)	M1 - DV25PTCB14AC		
11	0161A00052	DRAINPAN, VERTICAL (M3, M4, M5, M6, M9, M10, M13, M14, M15, M16, M19, M20)	M2 - DV29PTCB14AC		
61	0151R00197	VALVE, TXV R-410/A (M1, M2, M3, M4)	M3 - DV31PTCC14AE		
61	0151R00198	VALVE, TXV R-410/A (M8, M9, M10, M11, M12, M17, M18)	M4 - DV31PTCC14AF		
61	0151R00199	VALVE, TXV R-410/A (M19, M20, M21, M22, M23, M24)	M5 - DV33PTCC14AC		
61	0151M00065	VALVE, TXV R-410A BOOSTER CHG (M5, M6)	M6 - DV33PTCC14AD		
61	0151M00066	VALVE, TXV R-410A BOOSTER CHG (M7, M13)	M7 - DV35PTCB14AC		
61	0151M00067	VALVE, TXV R-410A BOOSTER CHG (M15, M16)	M8 - DV37PTCB14AC		
151	0270A00854	COIL TUBING ASSEMBLY (M2)	M9 - DV37PTCC14AD		
151	0270A00855	COIL TUBING ASSEMBLY (M9, M10)	M10 - DV37PTCC14AE		
151	0270A00857	COIL TUBING ASSEMBLY (M11, M12)	M11 - DV37PTCD14AD		
151	0270A00903	COIL TUBING ASSEMBLY (M1)	M12 - DV37PTCD14AE		
151	0270A00906	COIL TUBING ASSEMBLY (M13, M14)	M13 - DV39PTCC14AC		
151	0270A01030	COIL TUBING ASSEMBLY (M8)	M14 - DV39PTCC14AD		
151	0270A01032	COIL TUBING ASSEMBLY (M19, M20)	M15 - DV49PTCC14AC		
151	0270A01034	COIL TUBING ASSEMBLY (M23, M24)	M16 - DV49PTCC14AD		
151	0270A01081	COIL TUBING ASSEMBLY (M3, M4)	M17 - DV49PTCD14AC		
151	0270A01085	COIL TUBING ASSEMBLY (M21, M22)	M18 - DV49PTCD14AD		
151	0270A01086	COIL TUBING ASSEMBLY (M17, M18)	M19 - DV59PTCC14AD		
151	0270A01097	COIL TUBING ASSEMBLY (M15, M16)	M20 - DV59PTCC14AE		
151	0270A01194	COIL TUBING ASSEMBLY (M5, M6)	M21 - DV59PTCD14AD		
151	0270A01331	COIL TUBING ASSEMBLY (M7)	M22 - DV59PTCD14AE		
161	0161A00060	CONDENSATE, COLLECT, FRONT	M23 - DV61PTCD14AD		
171	0161A00061	CONDENSATE, COLLECT, BACK	M24 - DV61PTCD14AE		
181	0161A00055	DRAIN PAN HORIZONTAL, SMALL (M1, M5, M6, M7, M13, M14, M15, M16)			
181	0161A00053	DRAIN PAN HORIZONTAL, TALL (M2, M3, M4, M8, M9, M10, M11, M12, M17, M18, M19, M20, M21, M22, M23, M24)			
191	0161A00054	DRAIN PAN, EXTENSION, SMALL (M1, M2, M3, M4, M7, M8, M9, M10, M11, M12, M19, M20, M21)			
191	0161A00056	DRAIN PAN, EXTENSION, TALL (M5, M6, M13, M14, M15, M16, M17, M18, M23, M24)			
211	0121A00633	Bracket, Drip Shield (M1, M2, M3, M4, M7, M8, M9, M10, M15, M16, M19, M20)			
211	0121A00634	Bracket, Drip Shield (M5, M6, M11, M12, M13, M14, M17, M18, M21, M22, M23, M24)			
NS	BT1369063	90 DEGREE STUB			
NS	0163M00175	CAP WITH O-RING			
NS	PKCD-4001R	PISTON KIT CHART			
NS	B1787000	VALVE CORE			

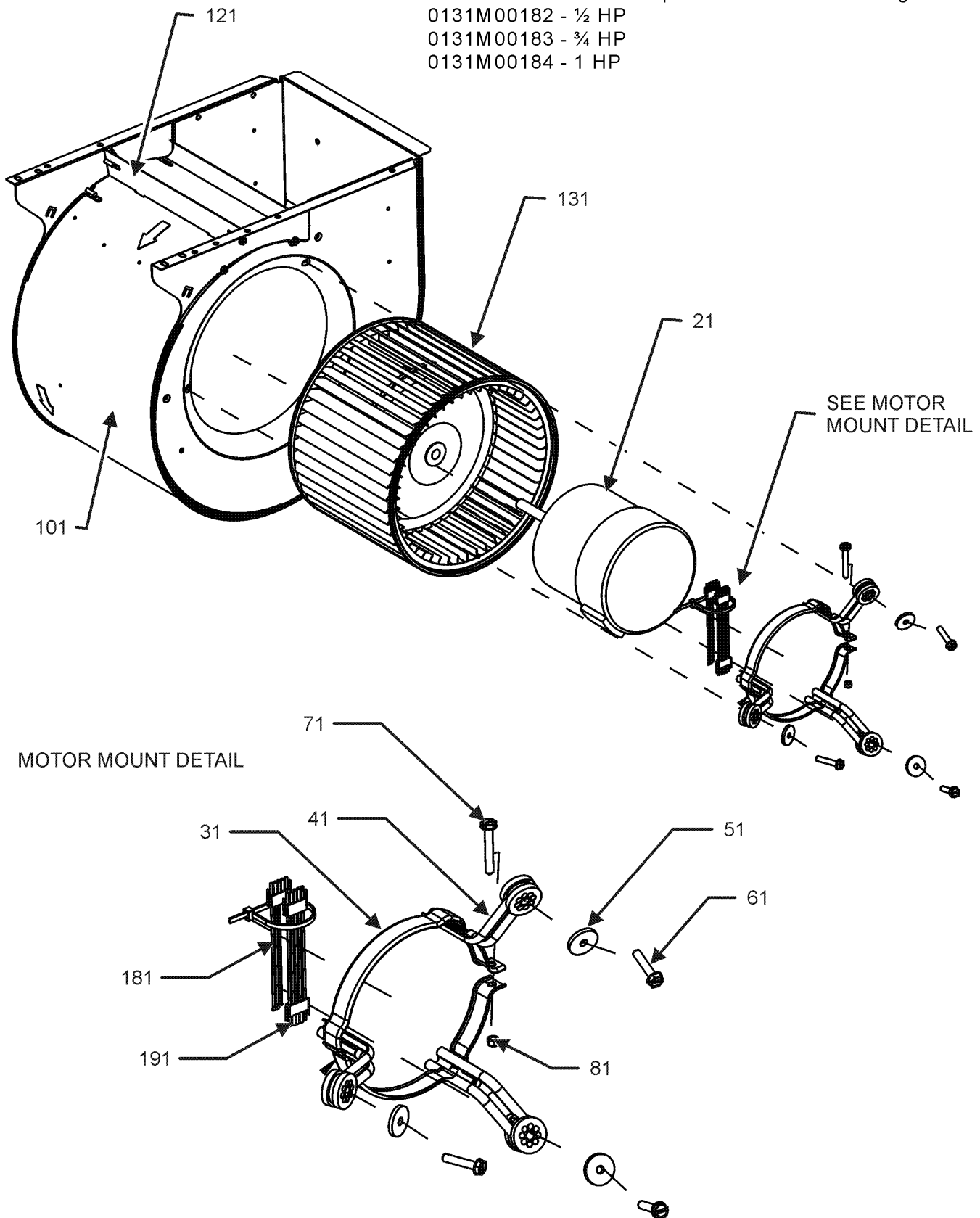
Blower Assembly

*If end bells are needed please order the following:

0131M00182 - 1/2 HP

0131M00183 - 3/4 HP

0131M00184 - 1 HP



Blower Assembly

Ref. Part
No: No:

Description:

Ref. Part
No: No:

Description:

Image 1:

21	0131M01011	MOTOR, 1 HP (M20, M22, M24)
21	0131M00272	MOTOR, 1 HP, SERIAL ECM (M19, M21, M23)
21	0131M01002	MOTOR, 1/2 HP (M1, M6, M7)
21	0131M00270	MOTOR, 1/2 HP, SERIAL ECM (M5)
21	0131M01003	MOTOR, 3/4 HP (M2, M4, M8, M10, M12, M14, M16, M18)
21	0131M00271	MOTOR, 3/4 HP, SERIAL ECM (M3, M9, M11, M13, M15, M17)
31	0121M00038	MOTOR MOUNT BAND (M1, M2, M3, M4, M5, M6, M7, M8, M9, M10, M13, M14, M15, M16)
31	0121M00039	MOTOR MOUNT BAND (HEAVY DUTY) (M11, M12, M17, M18, M19, M20, M21, M22, M23, M24)
41	0171M00011	MOTOR MOUNT ARM (M1, M2, M7, M8)
41	0171M00012	MOTOR MOUNT ARM (M3, M4, M5, M6, M9, M10, M13, M14, M15, M16)
41	0163M00538	MOUNT ARM, MOTOR (M11, M12, M17, M18, M19, M20, M21, M22, M23, M24)
51	B1392918	WASHER, FLAT 1/4 ID X 1 OD (QTY 3)
61	M0250565	TC SCREW 1.25" (QTY 3)
71	0163M00320	HEX HED ALL THREAD TAP BOLT
81	B1393800	LOCKNUT, NYLON, INSERT 1/4,20
101	0271A00016	BLOWER HOUSING ASSY 10 X 10 (M11, M12, M17, M18)
101	0271A00029	BLOWER HOUSING ASSY 10 X 8 (M3, M4, M5, M6, M9, M10, M13, M14, M15, M16, M19, M20)
101	0271A00206	BLOWER SHELL ASSY (M21, M22, M23, M24)
101	0271A00299	BLOWER SHELL ASSY 9X6,MORRISON (M1, M2, M7, M8)
121	764741	BLOWER BLOCK-OFF 10 X 10 (M11, M12, M17, M18)
121	764740	BLOWER BLOCK-OFF 10 X 8 (M3, M4, M5, M6, M9, M10, M13, M14, M15, M16, M19, M20)
131	B1368058	Blower Wheel (10 X 8) (M3, M4, M5, M6, M9, M10, M13, M14, M15, M16)
131	0150M00058	WHEEL, BLOWER (M19, M20)
131	0150M00059	WHEEL, BLOWER (M11, M12, M17, M18)
181	0259A00020	HIGH VOLTAGE WIRE HARNESS
191	0259A00016	WIRE HARNESS
191	0259M00008	WIRE HARNESS
NS	B1393532	SCREW,HWH,10X1/2,B,BZ,SLOT,SER (QTY 4)

Expanded Model Nomenclature

M1 - DV25PTCB14AC
M2 - DV29PTCB14AC
M3 - DV31PTCC14AE
M4 - DV31PTCC14AF
M5 - DV33PTCC14AC
M6 - DV33PTCC14AD
M7 - DV35PTCB14AC
M8 - DV37PTCB14AC
M9 - DV37PTCC14AD
M10 - DV37PTCC14AE
M11 - DV37PTCD14AD
M12 - DV37PTCD14AE
M13 - DV39PTCC14AC
M14 - DV39PTCC14AD
M15 - DV49PTCC14AC
M16 - DV49PTCC14AD
M17 - DV49PTCD14AC
M18 - DV49PTCD14AD
M19 - DV59PTCC14AD
M20 - DV59PTCC14AE
M21 - DV59PTCD14AD
M22 - DV59PTCD14AE
M23 - DV61PTCD14AD
M24 - DV61PTCD14AE