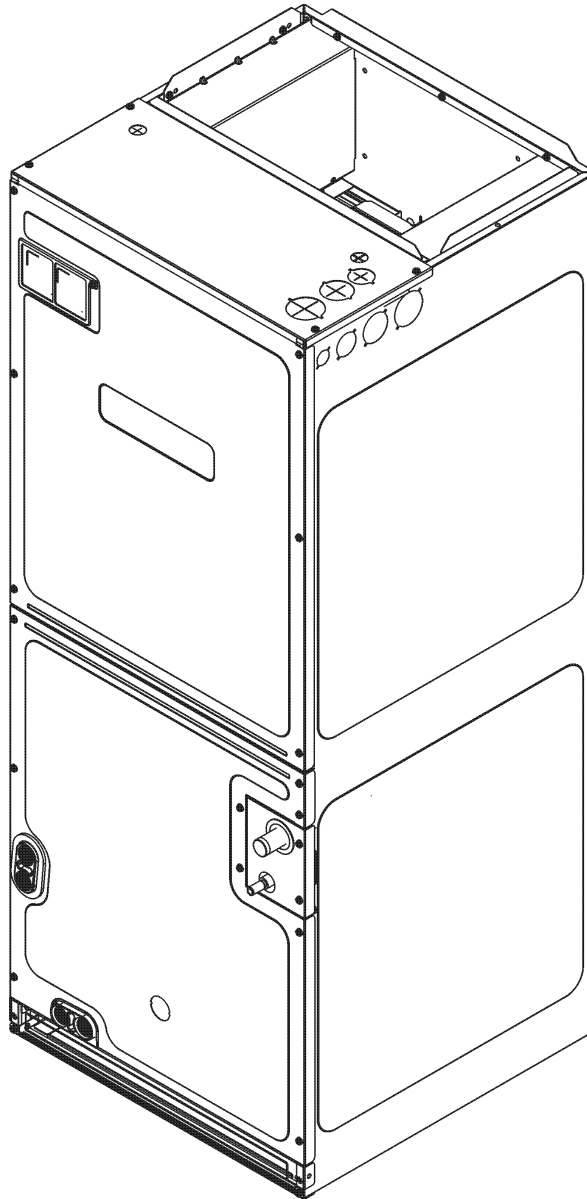


DVPTC Air Handler**

DV31PTCC14AB
DV31PTCC14AD
DV33PTCC14AA
DV35PTCB14AA
DV35PTCB14AB
DV37PTCC14AB
DV37PTCD14AB
DV39PTCC14AA
DV49PTCC14AA
DV59PTCC14AB
DV59PTCD14AB
DV61PTCD14AB



This manual is to be used by qualified technicians only.

This manual replaces RP-D4306B.

© 2017 - 2018 **DAIKIN MANUFACTURING COMPANY, L.P.** ♦ 5151 San Felipe St., Suite 500 ♦ Houston, TX 77056

Important Information

Index

Functional Parts List	3
Illustration and Parts	4 - 9

Views shown are for parts illustrations only, not servicing procedures.

Text Codes:

AR - As Required

NA - Not Available

NS - Not Shown

00000000 - See Note

QTY - Quantity Example (QTY 3) (If Quantity not shown, Quantity = 1)

M - Model Example (M1) (If M Code not shown, then part is used on all Models)

Expanded Model Nomenclature:

Example M1 - Model#1 M2 - Model#2 M3 - Model#3

Daikin Manufacturing Company, L.P. is not responsible for personal injury or property damage resulting from improper service. Review all service information before beginning repairs.

Warranty service must be performed by an authorized technician, using authorized factory parts. If service is required after the warranty expires, Daikin Manufacturing Company, L.P. also recommends contacting an authorized technician and using authorized factory parts.

Daikin Manufacturing Company, L.P. reserves the right to discontinue, or change at any time, specifications or designs without notice or without incurring obligations.

For assistance within the U.S.A. contact:

Homeowner Support
Daikin North America, LLC
19001 Kermier Road
Waller, Texas 77484
855-770-5678-Telephone
713-863-2382-Facsimile

For assistance outside the U.S.A. contact:

International Division
Daikin North America, LLC
19001 Kermier Road
Waller, Texas 77484
713-861-2500-Telephone
713-863-2382-Facsimile

Functional Parts

Part

No: Description:

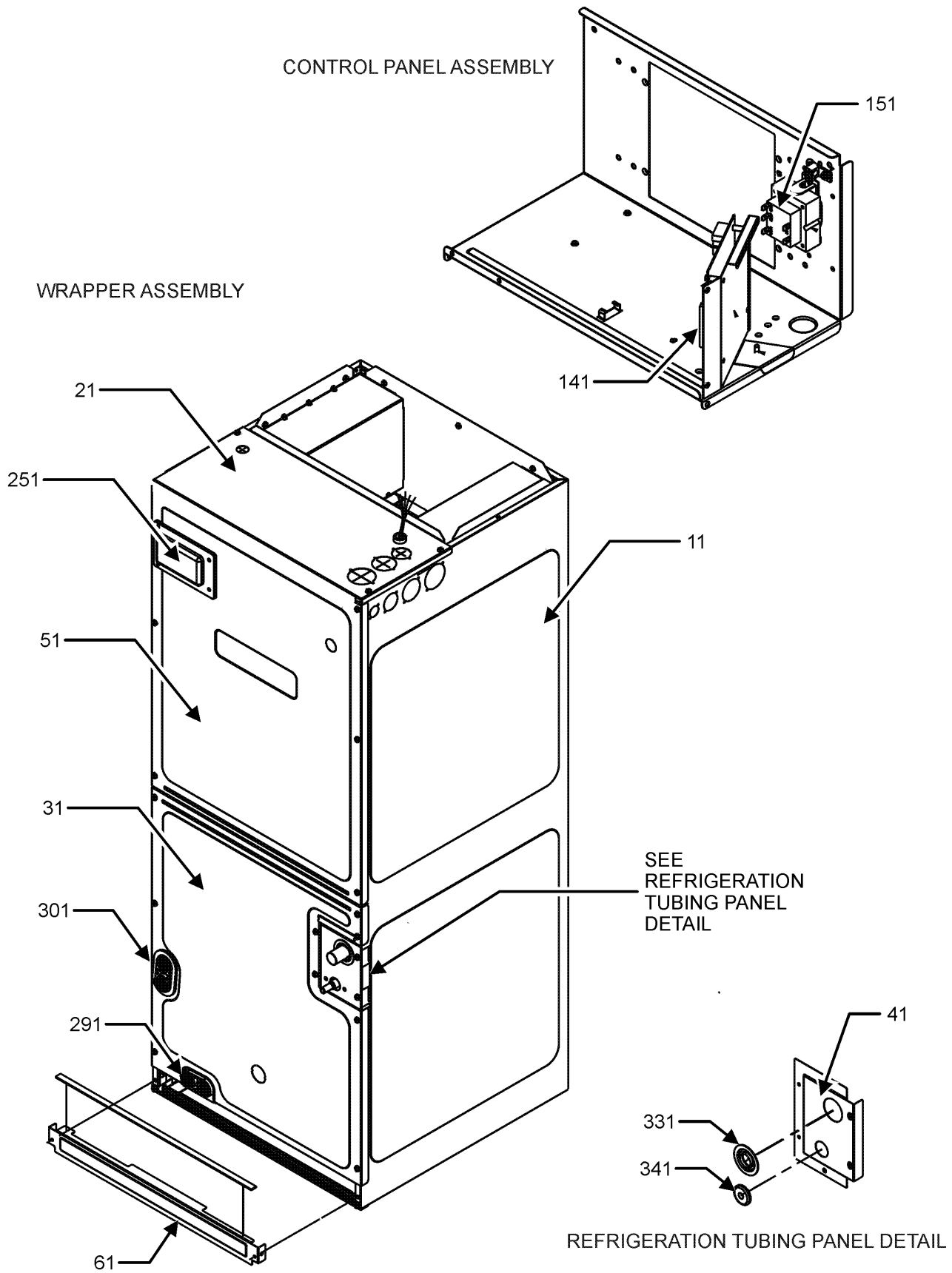
0131M00272	MOTOR, 1 HP, SERIAL ECM (M10, M11, M12)
0131M00270	MOTOR, 1/2 HP, SERIAL ECM (M3, M4, M5)
0131M00271	MOTOR, 3/4 HP, SERIAL ECM (M1, M2, M6, M7, M8, M9)
0130A00138	PCB SHARED DATA (M3)
0130A00139	PCB SHARED DATA (M8)
0130A00140	PCB SHARED DATA (M9)
0130A00155	PCB SHARED DATA (M4)
0130A00157	PCB SHARED DATA (M5)
PCBJA104	PCB, CONTROL, AIR HANDLER
0130M00388	SHARED DATA (M12)
0130M00375	SHARED DATA (M1)
0130M00379	SHARED DATA (M6)
0130M00380	SHARED DATA (M7)
0130M00386	SHARED DATA (M11)
0130M00487	SHARED DATA (M2)
0130M00385	SHARED DATA (M10)
0130M00138	TRANSFORMER 208/230, 24V
0151R00130	VALVE, TXV R-410A (M1, M2)
0151R00131	VALVE, TXV R-410A (M6, M7)
0151R00133	VALVE, TXV R-410A (M10, M11, M12)
0151M00065	VALVE, TXV R-410A BOOSTER CHG (M3)
0151M00066	VALVE, TXV R-410A BOOSTER CHG (M4, M5, M8)
0151M00067	VALVE, TXV R-410A BOOSTER CHG (M9)

Expanded Model Nomenclature

M1 - DV31PTCC14AB
M2 - DV31PTCC14AD
M3 - DV33PTCC14AA
M4 - DV35PTCB14AA
M5 - DV35PTCB14AB
M6 - DV37PTCC14AB
M7 - DV37PTCD14AB
M8 - DV39PTCC14AA
M9 - DV49PTCC14AA
M10 - DV59PTCC14AB
M11 - DV59PTCD14AB
M12 - DV61PTCD14AB

PKCD-4001O PISTON KIT CHART

Cabinet and Control Box Assembly

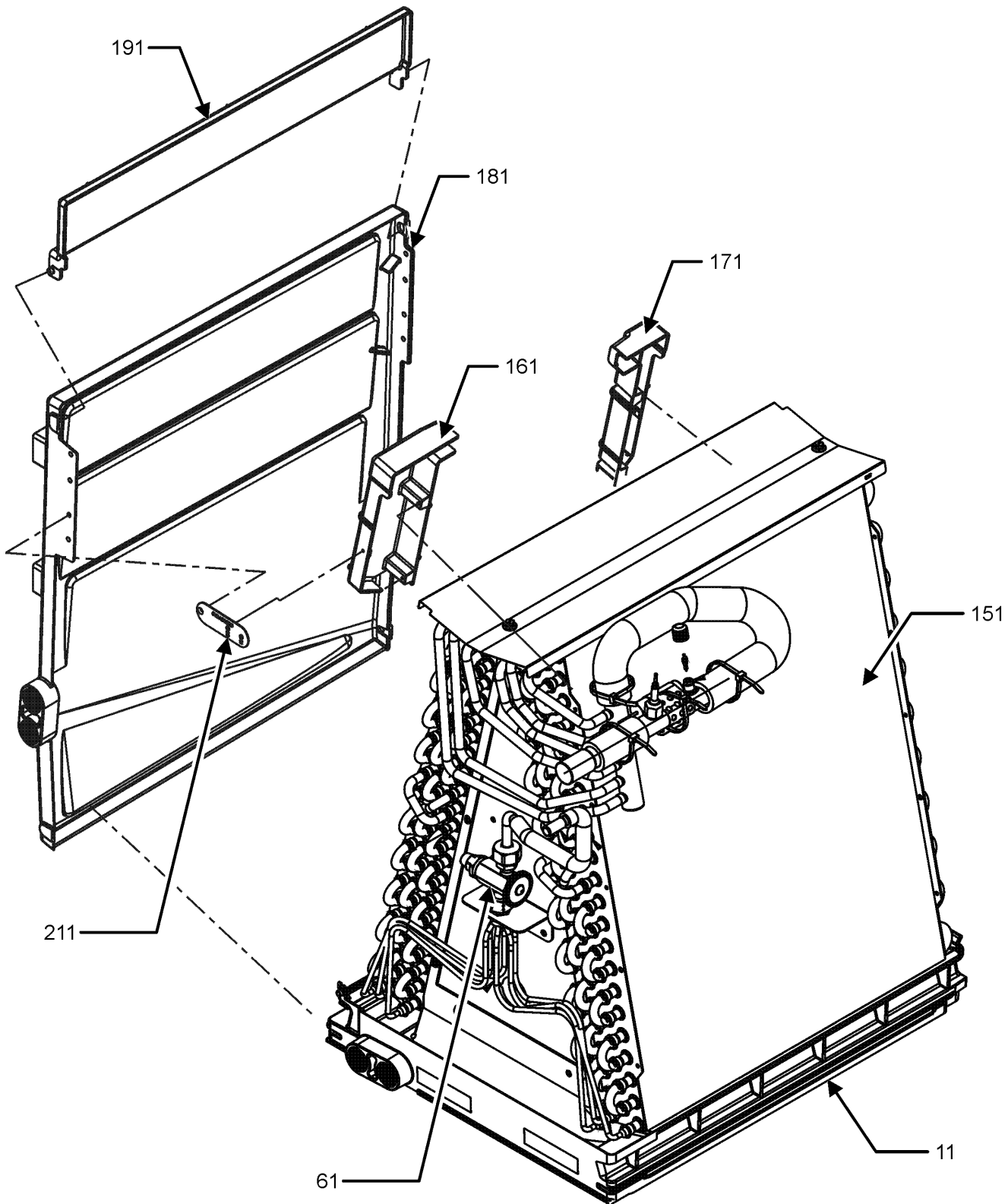


Cabinet and Control Box Assembly

Ref. Part No: No:	Description:	Ref. Part No: No:	Description:
Image 1:		Expanded Model Nomenclature	
11	0121A00276PNG Wrapper, LG, Painted (M12)	M1 - DV31PTCC14AB	
11	0121A00280PNG Wrapper, MED, Painted (M3, M8, M9)	M2 - DV31PTCC14AD	
11	0121A00455PNG WRAPPER, PAINTED (M7, M11)	M3 - DV33PTCC14AA	
11	0121A00456PNG WRAPPER, PAINTED (M1, M2, M6, M10)	M4 - DV35PTCB14AA	
11	0121A00281PNG Wrapper, SM, Painted (M4, M5)	M5 - DV35PTCB14AB	
21	0121A00373PNG Plate, Upper Tie (M4, M5)	M6 - DV37PTCC14AB	
21	0121A00374PNG Plate, Upper Tie (M1, M2, M3, M6, M8, M9, M10)	M7 - DV37PTCD14AB	
21	0121A00375PNG Plate, Upper Tie (M7, M11, M12)	M8 - DV39PTCC14AA	
31	0121A00460PNG LOWER ACCESS PANEL (M7, M11)	M9 - DV49PTCC14AA	
31	0121A00461PNG LOWER ACCESS PANEL (M1, M2, M6, M10)	M10 - DV59PTCC14AB	
31	0121A00618PNG LOWER ACCESS PANEL (M12)	M11 - DV59PTCD14AB	
31	0121A00620PNG LOWER ACCESS PANEL (M4, M5)	M12 - DV61PTCD14AB	
31	0121A00619PNG LOWER ACCESS PANEL, PAINTED (M3, M8, M9)		
41	0121A00658PNG REFRIGERATION TUBING PANEL		
51	0121A00836PNG PANEL, UPPER ACCESS (M7, M11, M12)		
51	0121A00837PNG PANEL, UPPER ACCESS (M1, M2, M3, M6, M8, M9, M10)		
51	0121A00838PNG PANEL, UPPER ACCESS (M4, M5)		
61	0121A00242PNG Panel, Filter Access (M4, M5)		
61	0121A00243PNG Panel, Filter Access (M1, M2, M3, M6, M8, M9, M10)		
61	0121A00244PNG Panel, Filter Access (M7, M11, M12)		
141	PCBJA104 PCB, CONTROL, AIR HANDLER		
151	0130M00138 TRANSFORMER 208/230, 24V		
251	0161A00073 CIRCUIT BREAKER COVER		
291	0154A00006BL GASKET, DRAIN PAN		
301	0154A00007BL GASKET, DRAIN PAN		
331	B1392630 GROMMET (M1, M2, M3, M6, M7, M8, M9, M10, M11, M12)		
331	M0501301 PIPE GROMMET (M4, M5)		
341	0164A00002 GROMMET		
NS	0130A00138 PCB SHARED DATA (M3)		
NS	0130A00139 PCB SHARED DATA (M8)		
NS	0130A00140 PCB SHARED DATA (M9)		
NS	0130A00155 PCB SHARED DATA (M4)		
NS	0130A00157 PCB SHARED DATA (M5)		
NS	0163M00036 SCREW,#10X1/2,B,BZ,SLOT,SR,BLK (QTY 4)		
NS	0130M00375 SHARED DATA (M1)		
NS	0130M00379 SHARED DATA (M6)		
NS	0130M00380 SHARED DATA (M7)		
NS	0130M00385 SHARED DATA (M10)		
NS	0130M00386 SHARED DATA (M11)		
NS	0130M00388 SHARED DATA (M12)		
NS	0130M00487 SHARED DATA (M2)		
NS	0163A00026 THUMB SCREW (QTY 2)		
NS	B1392139 VIEW PORT BUSHING-BLOWER DOOR		
NS	BT1392909 WASHER; SS RETAINING (QTY 2)		
NS	0259A00012P WIRE ASSY, 9 PIN FEMALE CONN		
NS	0259A00016 WIRE HARNESS		

Coil Assembly

COIL ASSEMBLY



COIL ASSEMBLY MAY DIFFER FROM WHAT IS SHOWN

Coil Assembly

Ref. Part No:	Part No:	Description:	Ref. Part No:	Part No:	Description:
Image 1:					
11	0161A00049	DRAINPAN, VERTICAL (M4, M5)			
11	0161A00051	DRAINPAN, VERTICAL (M7, M11, M12)			
11	0161A00052	DRAINPAN, VERTICAL (M1, M2, M3, M6, M8, M9, M10)			
61	0151R00130	VALVE, TXV R-410A (M1, M2)			
61	0151R00131	VALVE, TXV R-410A (M6, M7)			
61	0151R00133	VALVE, TXV R-410A (M10, M11, M12)			
61	0151M00065	VALVE, TXV R-410A BOOSTER CHG (M3)			
61	0151M00066	VALVE, TXV R-410A BOOSTER CHG (M4, M5, M8)			
61	0151M00067	VALVE, TXV R-410A BOOSTER CHG (M9)			
151	0270A00855	COIL TUBING ASSEMBLY (M6)			
151	0270A00857	COIL TUBING ASSEMBLY (M7)			
151	0270A00906	COIL TUBING ASSEMBLY (M8)			
151	0270A01032	COIL TUBING ASSEMBLY (M10)			
151	0270A01034	COIL TUBING ASSEMBLY (M12)			
151	0270A01081	COIL TUBING ASSEMBLY (M1, M2)			
151	0270A01085	COIL TUBING ASSEMBLY (M11)			
151	0270A01097	COIL TUBING ASSEMBLY (M9)			
151	0270A01194	COIL TUBING ASSEMBLY (M3)			
151	0270A01331	COIL TUBING ASSEMBLY (M4, M5)			
161	0161A00060	CONDENSATE, COLLECT, FRONT			
171	0161A00061	CONDENSATE, COLLECT, BACK			
181	0161A00055	DRAIN PAN HORIZONTAL, SMALL (M3, M4, M5, M8, M9)			
181	0161A00053	DRAIN PAN HORIZONTAL, TALL (M1, M2, M6, M7, M10, M11, M12)			
191	0161A00054	DRAIN PAN, EXTENSION, SMALL (M1, M2, M4, M5, M6, M7, M10, M11)			
191	0161A00056	DRAIN PAN, EXTENSION, TALL (M3, M8, M9, M12)			
211	0121A00633	Bracket, Drip Shield (M1, M2, M4, M5, M6, M9, M10)			
211	0121A00634	Bracket, Drip Shield (M3, M7, M8, M11, M12)			
NS	BT1369063	90 DEGREE STUB			
NS	0163M00175	CAP WITH O-RING			
NS	PKCD-4001O	PISTON KIT CHART			
NS	B1787000	VALVE CORE			

Expanded Model Nomenclature

M1 - DV31PTCC14AB
M2 - DV31PTCC14AD
M3 - DV33PTCC14AA
M4 - DV35PTCB14AA
M5 - DV35PTCB14AB
M6 - DV37PTCC14AB
M7 - DV37PTCD14AB
M8 - DV39PTCC14AA
M9 - DV49PTCC14AA
M10 - DV59PTCC14AB
M11 - DV59PTCD14AB
M12 - DV61PTCD14AB

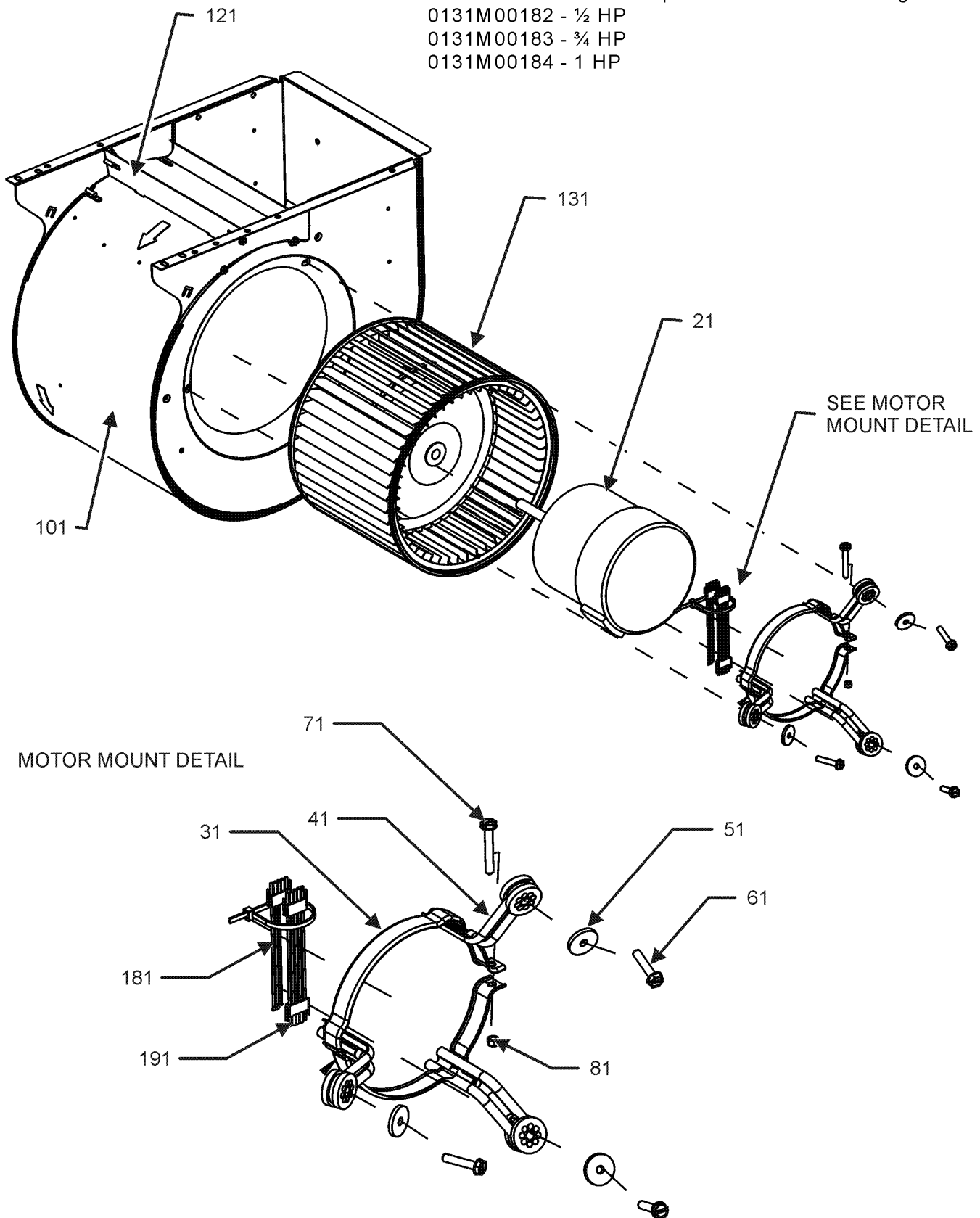
Blower Assembly

*If end bells are needed please order the following:

0131M00182 - 1/2 HP

0131M00183 - 3/4 HP

0131M00184 - 1 HP



Blower Assembly

Ref. Part No:	Part No:	Description:	Ref. Part No:	Part No:	Description:
Image 1:					
21	0131M00272	MOTOR, 1 HP, SERIAL ECM (M10, M11, M12)			
21	0131M00270	MOTOR, 1/2 HP, SERIAL ECM (M3, M4, M5)			
21	0131M00271	MOTOR, 3/4 HP, SERIAL ECM (M1, M2, M6, M7, M8, M9)			
31	0121M00038	MOTOR MOUNT BAND (M1, M2, M3, M4, M5, M6, M8, M9)			
31	0121M00039	MOTOR MOUNT BAND (HEAVY DUTY) (M7, M10, M11, M12)			
41	B1376853	MOTOR MOUNT ARM (M1, M2, M3, M6, M8, M9)			
41	B1376861	MOTOR MOUNT ARM (M4, M5)			
41	B1376863	MOTOR MOUNT ARM (HEAVY DUTY) (M7, M10, M11, M12)			
51	B1392918	WASHER, FLAT 1/4 ID X 1 OD (QTY 3)			
61	M0250565	TC SCREW 1.25" (QTY 3)			
71	0163M00320	HEX HED ALL THREAD TAP BOLT			
81	B1393800	LOCKNUT, NYLON, INSERT 1/4, 20			
101	0271A00016	BLOWER HOUSING ASSY 10 X 10 (M7)			
101	0271A00029	BLOWER HOUSING ASSY 10 X 8 (M1, M2, M3, M6, M8, M9, M10)			
101	0271A00206	BLOWER SHELL ASSY (M11, M12)			
101	0271A00299	BLOWER SHELL ASSY 9X6,MORRISON (M4, M5)			
121	764741	BLOWER BLOCK-OFF 10 X 10 (M7)			
121	764740	BLOWER BLOCK-OFF 10 X 8 (M1, M2, M3, M6, M8, M9, M10)			
131	D6723306	BLOWER WHEEL (M7)			
131	B1368016	BLOWER WHEEL 10 X 8 (M10)			
131	B1368058	BLOWER WHEEL 10 X 8 (M1, M2, M3, M6, M8, M9)			
181	0259A00020	HIGH VOLTAGE WIRE HARNESS			
191	0259A00019	WIRE HARNESS (M1, M2, M4, M5, M6, M8, M9, M10)			
191	0259M00008	WIRE HARNESS (M3, M7, M11, M12)			
NS	B1393530	SCREW HWH,10 X 1/2, A, YZD, SLOT, SR (M4, M5, M11, M12)			

Expanded Model Nomenclature

M1 - DV31PTCC14AB
M2 - DV31PTCC14AD
M3 - DV33PTCC14AA
M4 - DV35PTCB14AA
M5 - DV35PTCB14AB
M6 - DV37PTCC14AB
M7 - DV37PTCD14AB
M8 - DV39PTCC14AA
M9 - DV49PTCC14AA
M10 - DV59PTCC14AB
M11 - DV59PTCD14AB
M12 - DV61PTCD14AB