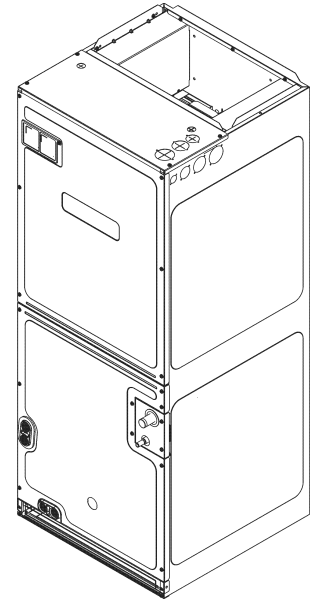


DVPEC Air Handler**

DV25PECB14AD
DV25PECB14AE
DV37PECC14AD
DV37PECC14AE
DV37PECC14AF
DV59PECD14AD
DV59PECD14AE
DV59PECD14AF
DV61PECD14AD
DV61PECD14AE
DV61PECD14AF



This manual is to be used by qualified technicians only.

This manual replaces RP-D4338A

Important Information

Index

Functional Parts List	3
Illustration and Parts	4 - 9

Views shown are for parts illustrations only, not servicing procedures.

Text Codes:

AR - As Required

NA - Not Available

NS - Not Shown

00000000 - See Note

QTY - Quantity Example (QTY 3) (If Quantity not shown, Quantity = 1)

M - Model Example (M1) (If M Code not shown, then part is used on all Models)

Expanded Model Nomenclature:

Example
M1 - Model#1
M2 - Model#2
M3 - Model#3

Daikin Comfort Technologies Manufacturing , L.P. is not responsible for personal injury or property damage resulting from improper service. Review all service information before beginning repairs.

Warranty service must be performed by an authorized technician, using authorized factory parts. If service is required after the warranty expires, Daikin Comfort Technologies Manufacturing , L.P. also recommends contacting an authorized technician and using authorized factory parts.

Daikin Comfort Technologies Manufacturing , L.P. reserves the right to discontinue, or change at any time, specifications or designs without notice or without incurring obligations.

For assistance within the U.S.A. contact:
Homeowner Support
Daikin Comfort Technologies Manufacturing , L.P.
19001 Kermier Road
Waller, Texas 77484
855-770-5678-Telephone
713-863-2382-Facsimile

For assistance outside the U.S.A. contact:
International Division
Daikin Comfort Technologies Manufacturing , L.P.
19001 Kermier Road
Waller, Texas 77484
713-861-2500-Telephone
713-863-2382-Facsimile

Functional Parts

Part

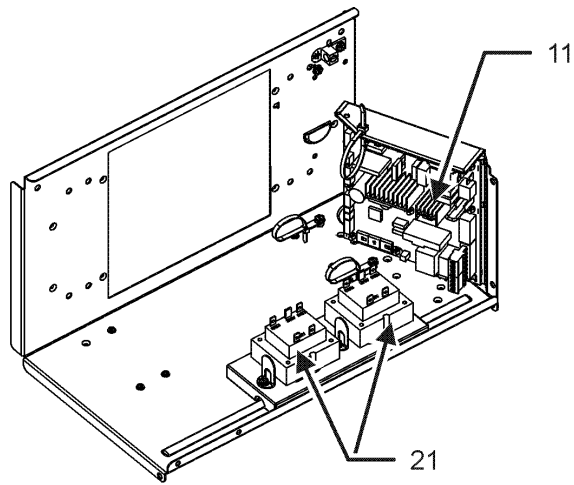
No: Description:

SHARED DATA	Available thru CoolCloud HVAC app
0131M01011	MOTOR, 1 HP (M8, M11)
0131M00272	MOTOR, 1 HP, SERIAL ECM (M6, M7, M9, M10)
0131M01002	MOTOR, 1/2 HP (M2)
0131M00270	MOTOR, 1/2 HP, SERIAL ECM (M1)
0131M01003	MOTOR, 3/4 HP (M5)
0131M00271	MOTOR, 3/4 HP, SERIAL ECM (M3, M4)
2P561240-1	PCB ASSY (M1, M2, M4, M5, M7, M8, M10, M11)
2P383866-1	PCB FAN ASSY (M3, M6, M9)
3S481012-1	PRESSURE SENSOR
0130M00138	TRANSFORMER, 208/230, 24V (QTY 2)

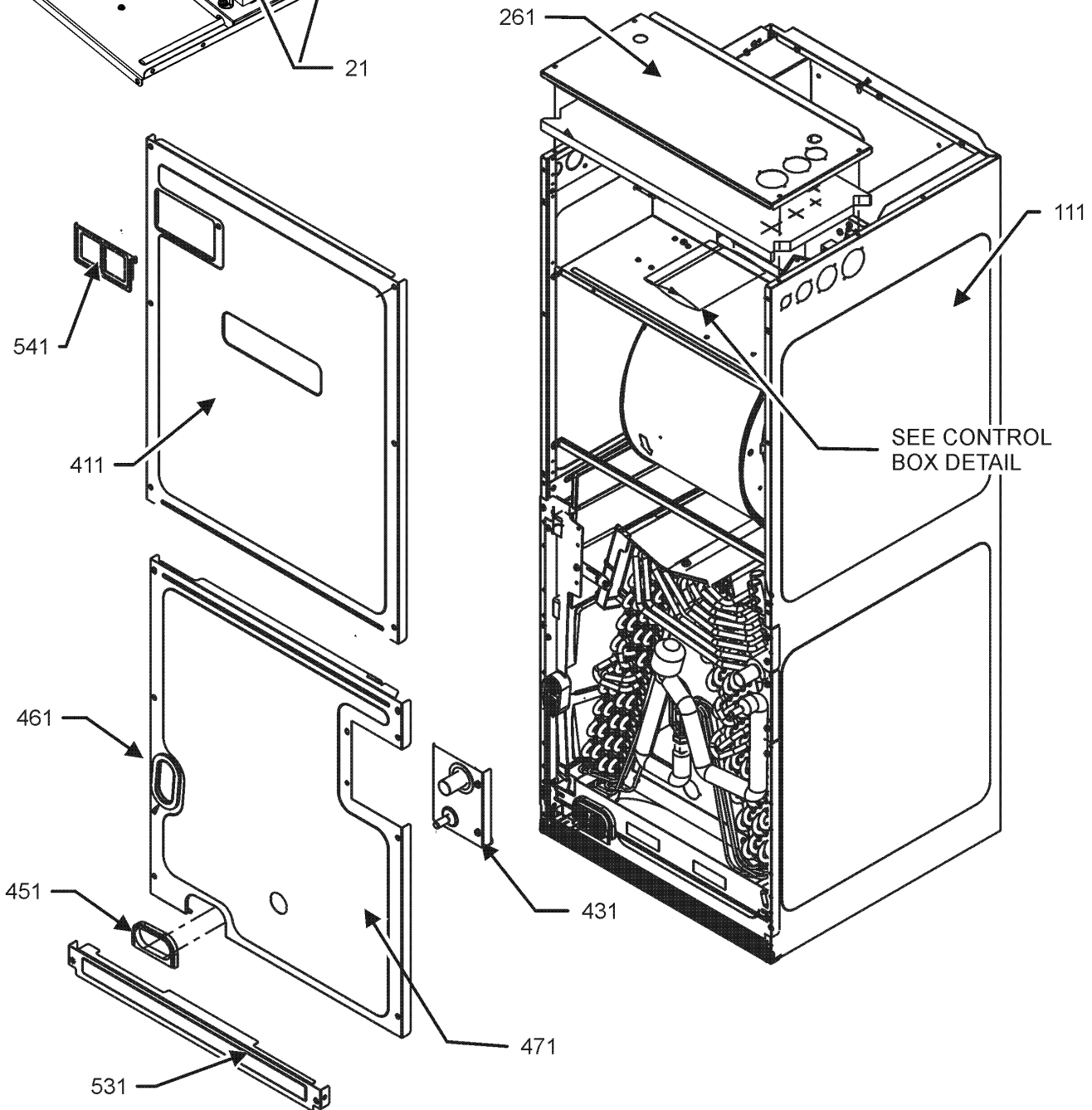
Expanded Model Nomenclature

M1 - DV25PECB14AD
M2 - DV25PECB14AE
M3 - DV37PECC14AD
M4 - DV37PECC14AE
M5 - DV37PECC14AF
M6 - DV59PECD14AD
M7 - DV59PECD14AE
M8 - DV59PECD14AF
M9 - DV61PECD14AD
M10 - DV61PECD14AE
M11 - DV61PECD14AF

WRAPPER & CONTROL BOX ASSY



CONTROL BOX DETAIL



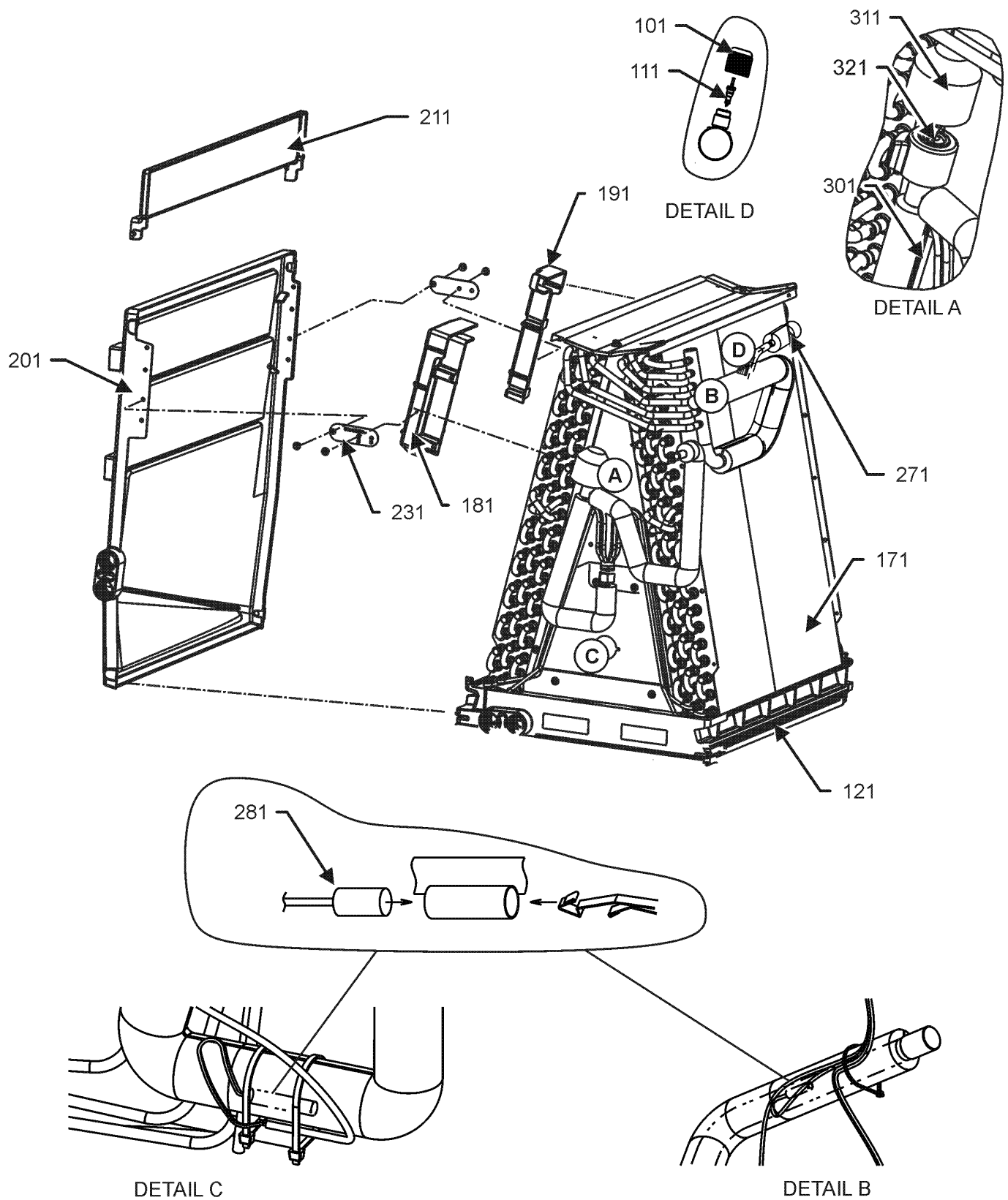
WRAPPER & CONTROL BOX ASSY

Ref. Part No:	Ref. Part No:	Description:	Description:
Image 1:			
11	2P561240-1	PCB ASSY (M1, M2, M4, M5, M7, M8, M10, M11)	
11	2P383866-1	PCB FAN ASSY (M3, M6, M9)	
21	0130M00138	TRANSFORMER, 208/230, 24V (QTY 2)	
111	0121A00276PNG	Wrapper, LG, Painted (M9, M10, M11)	
111	0121A00455PNG	WRAPPER, PAINTED (M6, M7, M8)	
111	0121A00456PNG	WRAPPER, PAINTED (M3, M4, M5)	
111	0121A00458PNG	WRAPPER, PAINTED (M1, M2)	
261	0121A01483PNG	PLATE, UPPER TIE (M1, M2)	
261	0121A01484PNG	PLATE, UPPER TIE (M3, M4, M5)	
261	0121A01485PNG	PLATE, UPPER TIE (M6, M7, M8, M9, M10, M11)	
411	0121A01440PNG	PANEL, UPPER ACCESS (M6, M7, M8, M9, M10, M11)	
411	0121A01441PNG	PANEL, UPPER ACCESS (M3, M4, M5)	
411	0121A01442PNG	PANEL, UPPER ACCESS (M1, M2)	
431	0121A00658PNG	Panel, Refrigerant Tubing	
451	0154A00006BL	GASKET, DRAIN PAN	
461	0154A00007BL	GASKET, DRAIN PAN	
471	0121A00460PNG	LOWER ACCESS PANEL (M6, M7, M8)	
471	0121A00461PNG	LOWER ACCESS PANEL (M3, M4, M5)	
471	0121A00463PNG	LOWER ACCESS PANEL (M1, M2)	
471	0121A00618PNG	LOWER ACCESS PANEL (M9, M10, M11)	
531	0121A00242PNG	Panel, Filter Access (M1, M2)	
531	0121A00243PNG	Panel, Filter Access (M3, M4, M5)	
531	0121A00244PNG	Panel, Filter Access (M6, M7, M8, M9, M10, M11)	
541	0161A00073	CIRCUIT BREAKER COVER	
NS	SHARED DATA	Available thru CoolCloud HVAC app	
NS	0164A00002	GROMMET	
NS	0163M00036	SCREW,#10X1/2,B,BZ,SLOT,SR,BLK (QTY 4)	
NS	0163A00026	THUMB SCREW (QTY 2)	
NS	BT1392909	WASHER; SS RETAINING (QTY 2)	
NS	0259A00033P	WIRE ASSY, 9 PIN FEMALE CONN.	
NS	0259A00021	WIRE ASSY, 9 PIN FEMALE CONN. (NO ELEC HEAT)	
NS	0259A00023	WIRE HARNESS (MAIN PCB TO PRES SENSOR)	
NS	0259A00024	WIRE HARNESS (MAIN PCB TO THERMISTORS)	
NS	0259A00025	WIRE HARNESS (PCB TO EEV COIL)	
NS	0259A00031P	WIRE HARNESS, CONNECTOR	

Expanded Model Nomenclature

M1 - DV25PECB14AD
M2 - DV25PECB14AE
M3 - DV37PECC14AD
M4 - DV37PECC14AE
M5 - DV37PECC14AF
M6 - DV59PECD14AD
M7 - DV59PECD14AE
M8 - DV59PECD14AF
M9 - DV61PECD14AD
M10 - DV61PECD14AE
M11 - DV61PECD14AF

COIL ASSEMBLY



NOTE: COIL TUBING ASSEMBLY MAY DIFFER FROM WHAT IS SHOWN

COIL ASSEMBLY

Ref. Part No:	Part No:	Description:	Ref. Part No:	Part No:	Description:
---------------	----------	--------------	---------------	----------	--------------

Image 1:

101	0163M00175	CAP WITH O-RING			
111	B1787000	VALVE CORE			
121	0161A00049	DRAINPAN, VERTICAL (M1, M2)			
121	0161A00051	DRAINPAN, VERTICAL (M6, M7, M8, M9, M10, M11)			
121	0161A00052	DRAINPAN, VERTICAL (M3, M4, M5)			
171	0270A01026	COIL TUBING ASSY (M1, M2)			
171	0270A01027	COIL TUBING ASSY (M3, M4, M5)			
171	0270A01028	COIL TUBING ASSY (M6, M7, M8)			
171	0270A01029	COIL TUBING ASSY (M9, M10, M11)			
181	0161A00060	CONDENSATE, COLLECT, FRONT			
191	0161A00061	CONDENSATE, COLLECT, BACK			
201	0161A00053	DRAIN PAN HORIZONTAL, TALL			
211	0161A00054	DRAIN PAN, EXTENSION, SMALL (M1, M2, M3, M4, M5, M6, M7, M8)			
211	0161A00056	DRAIN PAN, EXTENSION, TALL (M9, M10, M11)			
231	0121A00633	BRACKET, DRIP SHIELD (M1, M2, M3, M4, M5)			
231	0121A00634	BRACKET, DRIP SHIELD (M6, M7, M8, M9, M10, M11)			
271	3S481012-1	PRESSURE SENSOR			
281	4P389796-1	THERMISTOR ASSY			
301	3P381420-2	EEV COIL			
311	4P399446-1	WATERPROOF CAP			
321	3S500031-1	Pulse Motor Expans EEV			

Expanded Model Nomenclature

M1 - DV25PECB14AD
M2 - DV25PECB14AE
M3 - DV37PECC14AD
M4 - DV37PECC14AE
M5 - DV37PECC14AF
M6 - DV59PECD14AD
M7 - DV59PECD14AE
M8 - DV59PECD14AF
M9 - DV61PECD14AD
M10 - DV61PECD14AE
M11 - DV61PECD14AF

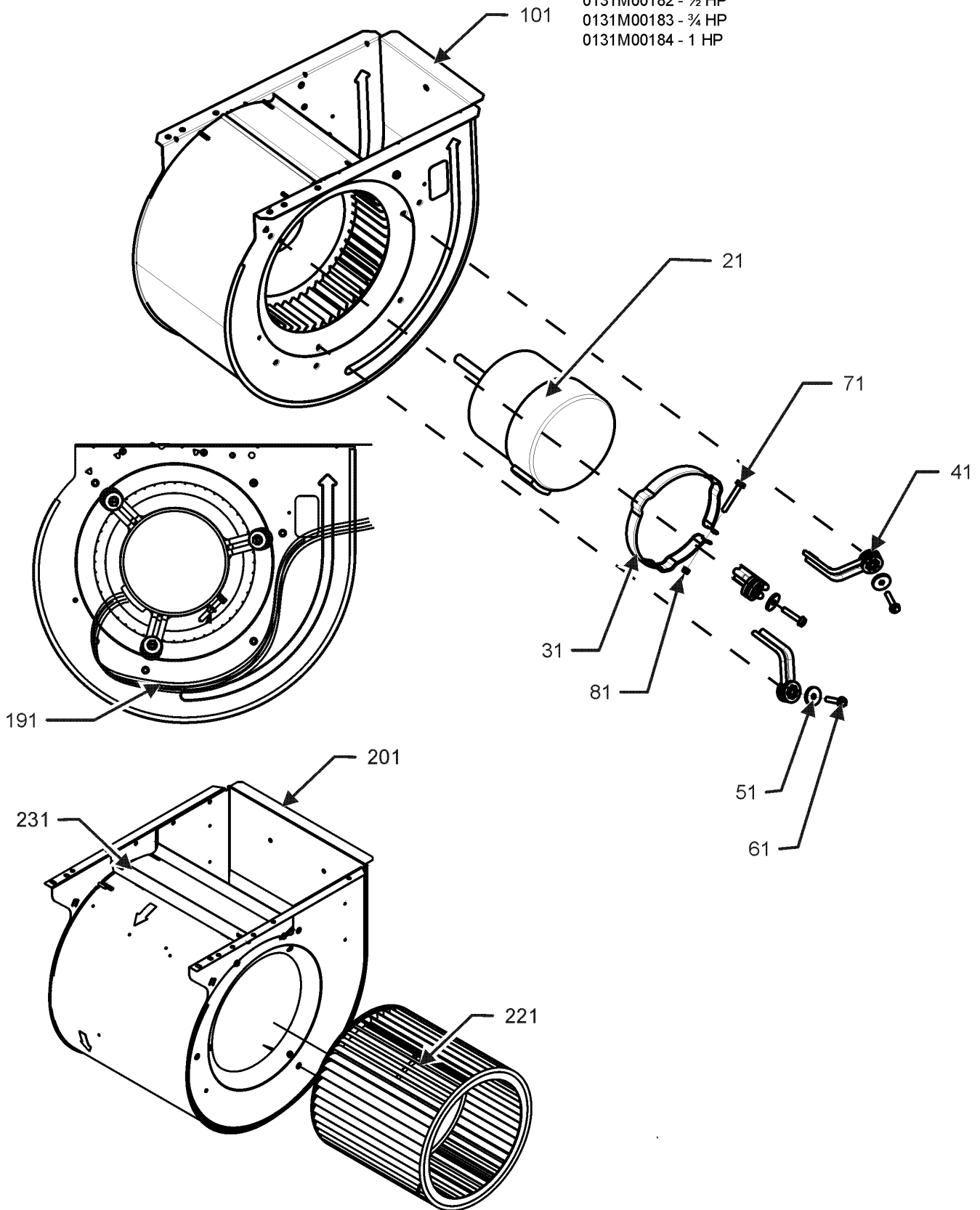
BLOWER ASSEMBLY

*If end bells are needed please order the following:

0131M00182 - ½ HP

0131M00183 - ¾ HP

0131M00184 - 1 HP



BLOWER ASSEMBLY

Ref. Part No:	Ref. Part No:	Description:	Description:
Image 1:			
21	0131M01011	MOTOR, 1 HP (M8, M11)	
21	0131M00272	MOTOR, 1 HP, SERIAL ECM (M6, M7, M9, M10)	
21	0131M01002	MOTOR, 1/2 HP (M2)	
21	0131M00270	MOTOR, 1/2 HP, SERIAL ECM (M1)	
21	0131M01003	MOTOR, 3/4 HP (M5)	
21	0131M00271	MOTOR, 3/4 HP, SERIAL ECM (M3, M4)	
31	0121M00038	MOUNT BAND, MOTOR (M1, M2)	
31	0121M00039	MOUNT BAND, MOTOR (HEAVY DUTY) (M3, M4, M5, M6, M7, M8, M9, M10, M11)	
41	0171M00012	MOTOR MOUNT ARM (M1, M2)	
41	0163M00538	MOUNT ARM, MOTOR (M3, M4, M5, M6, M7, M8, M9, M10, M11)	
51	B1392918	WASHER, FLAT 1/4 ID X 1 OD (QTY 3)	
61	M0250565	TC SCREW 1.25" (QTY 3)	
71	0163M00320	HEX HED ALL THREAD TAP BOLT	
81	B1393800	LOCKNUT, NYLON, INSERT 1/4,20	
101	0271A00203	BLOWER SHELL ASSEMBLY (M1, M2)	
101	0271A00206	BLOWER SHELL ASSY (M6, M7, M8, M9, M10, M11)	
191	0259M00008	WIRE HARNESS	
201	0271A00016	BLOWER SHELL ASSY (M3, M4, M5)	
221	764741	BLOWER BLOCK-OFF 10 X 10 (M3, M4, M5)	
231	0150M00059	WHEEL, BLOWER (M3, M4, M5)	
NS	0163M00003P	SCREW,#10 X 1/2,A,SLOT,SR,BLK (QTY 3)	

Expanded Model Nomenclature

M1 - DV25PECB14AD
M2 - DV25PECB14AE
M3 - DV37PECC14AD
M4 - DV37PECC14AE
M5 - DV37PECC14AF
M6 - DV59PECD14AD
M7 - DV59PECD14AE
M8 - DV59PECD14AF
M9 - DV61PECD14AD
M10 - DV61PECD14AE
M11 - DV61PECD14AF