

Commercial 5 Ton High Efficient Direct Drive Package Heat Pump

DTH0600103DHDAAA
DTH0600103DHDPA
DTH0600103DHDQAA
DTH060XXX1DXDAAA
DTH060XXX1DXXAAA
DTH060XXX1DXXXAA
DTH060XXX3DFDXAA
DTH060XXX3DVXYAA
DTH060XXX3DXXAAA
DTH060XXX3DXXXAA



This manual is to be used by qualified technicians only.

This manual replaces RP-D1077F.

Important Information

Index

Functional Parts List	3
Illustration and Parts	4 - 13

Views shown are for parts illustrations only, not servicing procedures

Text Codes:

AR - As Required

NA - Not Available

NS - Not Shown

00000000 - See Note

QTY - Quantity Example (QTY 3) (If Quantity not shown, Quantity = 1)

M - Model Example (M1) (If M Code not shown, then part is used on all Models)

Expanded Model Nomenclature:

Example M1 - Model#1 M2 - Model#2 M3 - Model#3

Daikin Company, L.P. is not responsible for personal injury or property damage resulting from improper service. Review all service information before beginning repairs.

Warranty service must be performed by an authorized technician, using authorized factory parts. If service is required after the warranty expires, Daikin Company, L.P. also recommends contacting an authorized technician and using authorized factory parts.

Daikin Company, L.P. reserves the right to discontinue, or change at any time, specifications or designs without notice or without incurring obligations.

For assistance within the U.S.A. contact:

Equipment Support
Daikin North America, LLC
19001 Kermier Road
Waller, Texas 77484
855-770-5678-Telephone
713-863-2382-Facsimile

For assistance outside the U.S.A. contact:

International Division
Daikin North America, LLC
19001 Kermier Road
Waller, Texas 77484
713-861-2500-Telephone
713-863-2382-Facsimile

Functional Parts

Part

No: Description:

B1226207	ACCUMULATOR .875
B1368000	BLOWER WHEEL 11 X10
CAP100700440CT	CAP, 10/70 MFD/ 440V/ DUAL RD (M1, M2, M3)
CAP100000370LA	CAPACITOR 10/370V (M4, M5, M6, M7, M8, M9, M10)
ZP49K6ETF5120	COMP, 67600, 208/230/60/3 (M4, M5, M6, M7, M8, M9, M10)
ZP49K5EPFV130	COMP, 49400, 208/230/60/1 (M1, M2, M3)
0131M00430	COND MOTOR 1/3 HP, 1 SP, 6 PL (M1, M2, M3)
CONT3P030024V	CONTACTOR 30 AMP, 3P, 24V (M4, M5, M6, M7, M8, M9, M10)
CONT2P040024V	CONTACTOR 40 AMP, 2P, 24V (M4)
0130M00074	CUT-OUT SWITCH, HIGH PRESSURE
0130M00075	CUT-OUT SWITCH, LOW PRESSURE
0130M00101	DEFROST CONTROL
0131M00430	MOTOR, 1/3 HP, 1 SP, 6 PL (M1, M2, M3)
0131M00840	MOTOR, 1/3 HP, OD (M4, M6, M7, M8, M9, M10)
0131M00815	MOTOR-1HP PROGRAMMED SELECTECH
PCBDM133	PCB, DEFROST CONTROL
0130M00025	RELAY,SPDT (M9)
0151R00071	REVERSING VALVE
B1225022	SOLENOID COIL
0130M00038	TERMINAL BOARD
0130M00138	TRANSFORMER, 208/230, 24V

Expanded Model Nomenclature

M1 - DTH060XXX1DXDAAA
M2 - DTH060XXX1DXXAAA
M3 - DTH060XXX1DXXXAA
M4 - DTH060XXX3DFDXAA
M5 - DTH060XXX3DVXYAA
M6 - DTH060XXX3DXXAAA
M7 - DTH060XXX3DXXXAA
M8 - DTH0600103DHDAAA
M9 - DTH0600103DHDPAA
M10 - DTH0600103DHDQAA

Top Panel and Tubing Assembly

IMAGE 1

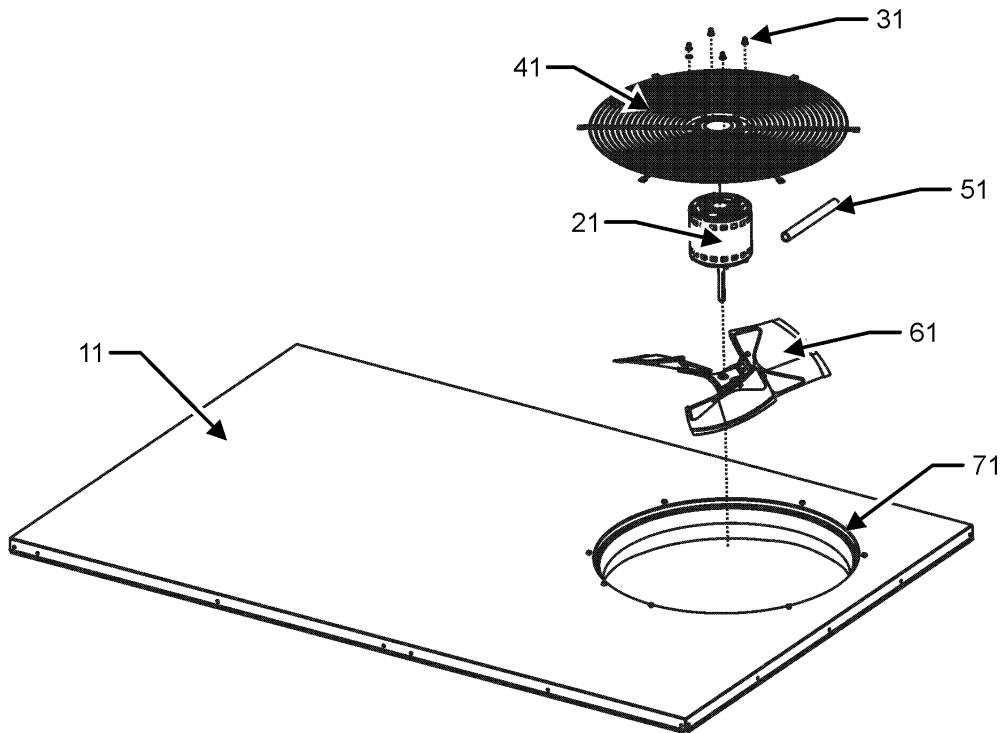
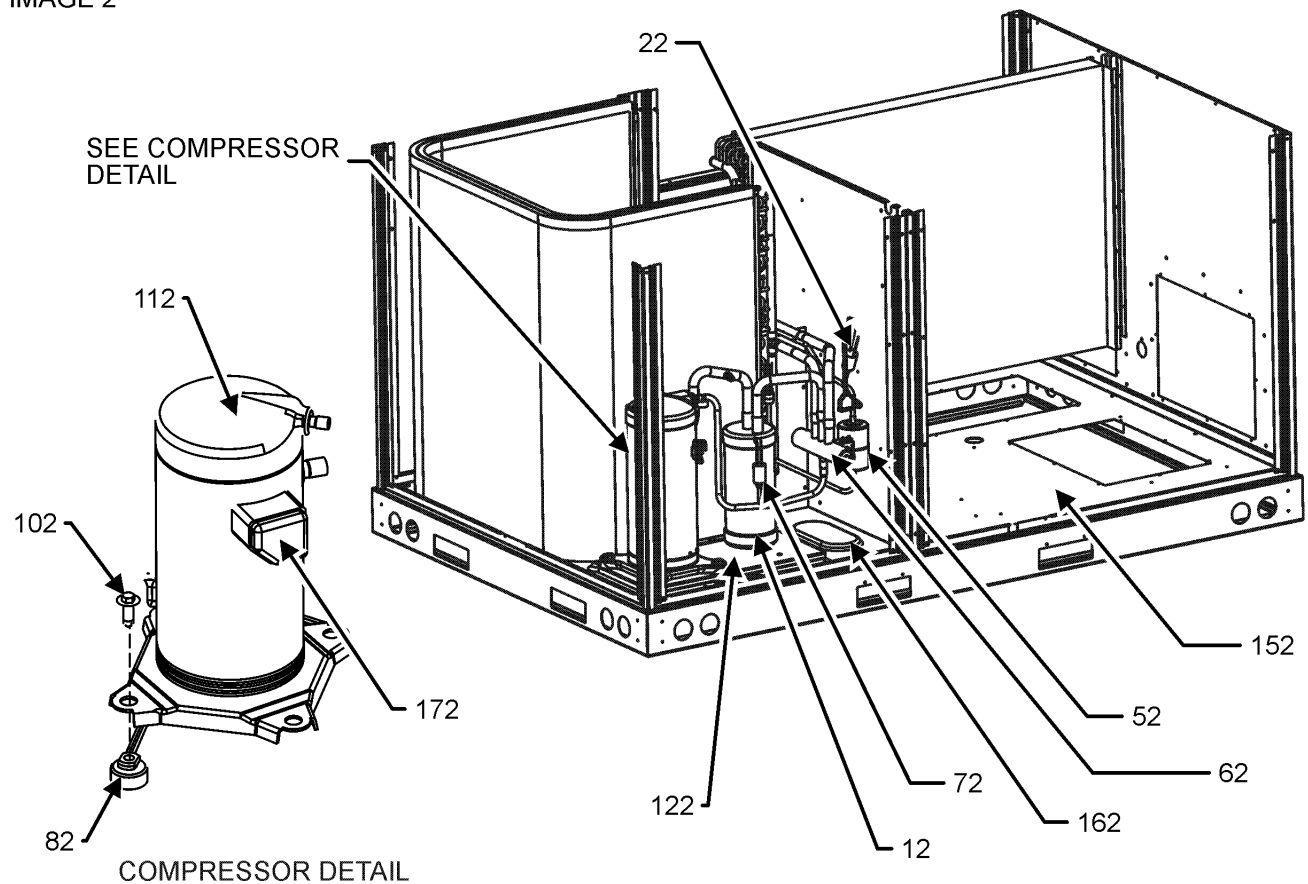


IMAGE 2



Top Panel and Tubing Assembly

Ref. Part No: No:	Description:	Ref. Part No: No:	Description:
-------------------	--------------	-------------------	--------------

Image 1:

11	0121L00235NG	TOP PANEL
21	0131M00430	COND MOTOR 1/3 HP, 1 SP, 6 PL (M1, M2, M3)
21	0131M00430	MOTOR, 1/3 HP, 1 SP, 6 PL (M1, M2, M3)
21	0131M00840	MOTOR, 1/3 HP, OD (M4, M6, M7, M8, M9, M10)
21	0131L00064	MOTOR, COND, 1/3 HP, 208/230V (M5, M10)
31	0163M00006P	ACORN NUT 5/16 HEX BLACK (QTY 4)
41	0152G00003	FAN GRILLE (M1, M2, M3)
41	0152G00000	FAN GRILLE, RAISED (M4, M5, M6, M7, M8, M9, M10)
51	0161R00003P	CONDUIT
61	B1086765	FAN BLADE TYPE 3
71	0161L00000	VENTURI RING 22"
NS	0163M00004	SCREW #10X3/4", BLACK (QTY 18)
NS	0163M00005P	WASHER, BLACK (.50 OD .218ID) (QTY 4)

Image 2:

12	B1226207	ACCUMULATOR .875
22	0130M00075	CUT-OUT SWITCH, LOW PRESSURE
52	20485201	BI-FLOW FILTER DRIER
62	0151R00071	REVERSING VALVE
72	0130M00074	CUT-OUT SWITCH, HIGH PRESSURE
82	B1339533	COMPRESSOR GROMMET (QTY 4)
102	M0221641	TF SHOULDER SCREW (QTY 4)
112	ZP49K6ETF5120	COMP, 67600, 208/230/60/3 (M4, M5, M6, M7, M8, M9, M10)
112	ZP49K5EPFV130	COMP, 49400, 208/230/60/1 (M1, M2, M3)
122	0121L01308	MOUNTING PLATE-COMPRESSOR
152	0121L02619	BASE PAN, INDOOR
162	0121L01990	BASE PAN-OUTDOOR
172	0159L00027	COMPRESSOR SCROLL HARNESS (M1, M2, M3)
172	0159L00065	COMPRESSOR SCROLL HARNESS (M4, M5, M6, M7, M8, M9, M10)
NS	B1373315	ACCESS FITTING (QTY 2)
NS	0163M00175	CAP WITH O-RING (QTY 2)
NS	B1225022	SOLENOID COIL

Expanded Model Nomenclature

M1 - DTH060XXX1DXDAAA
M2 - DTH060XXX1DXXAAA
M3 - DTH060XXX1DXXXAA
M4 - DTH060XXX3DFDXAA
M5 - DTH060XXX3DVXYAA
M6 - DTH060XXX3DXXAAA
M7 - DTH060XXX3DXXXAA
M8 - DTH0600103DHDAAA
M9 - DTH0600103DHDPA A
M10 - DTH0600103DHDQAA

Cabinet Assembly

IMAGE 1

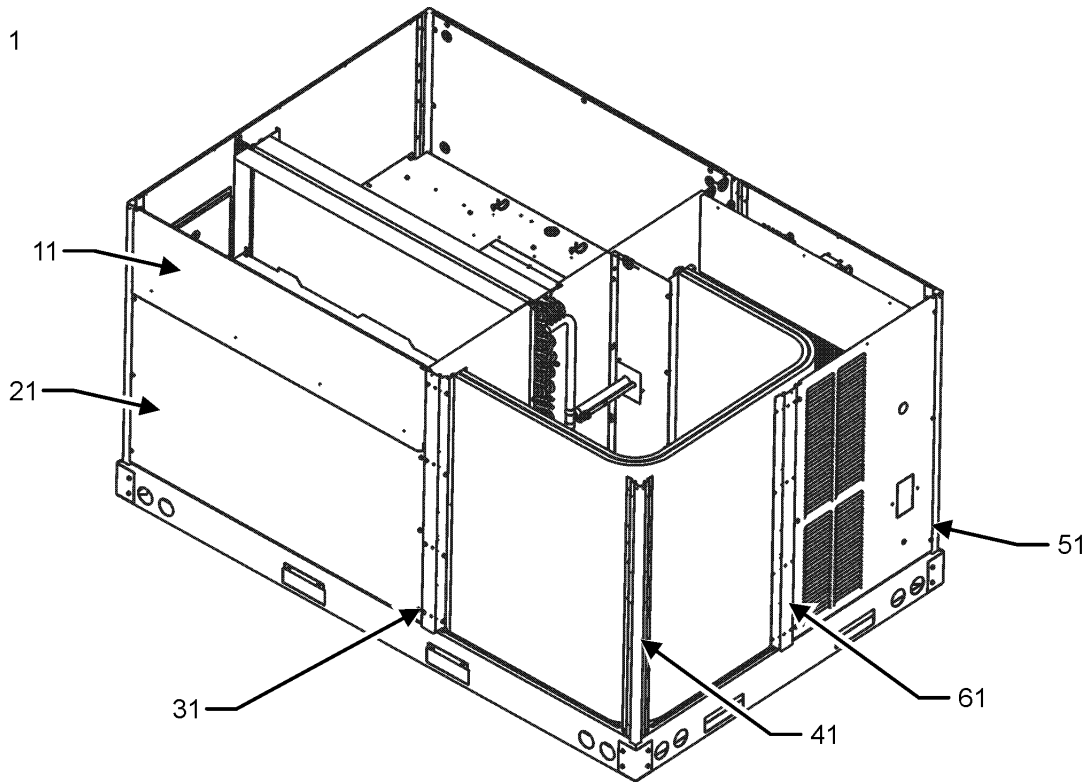
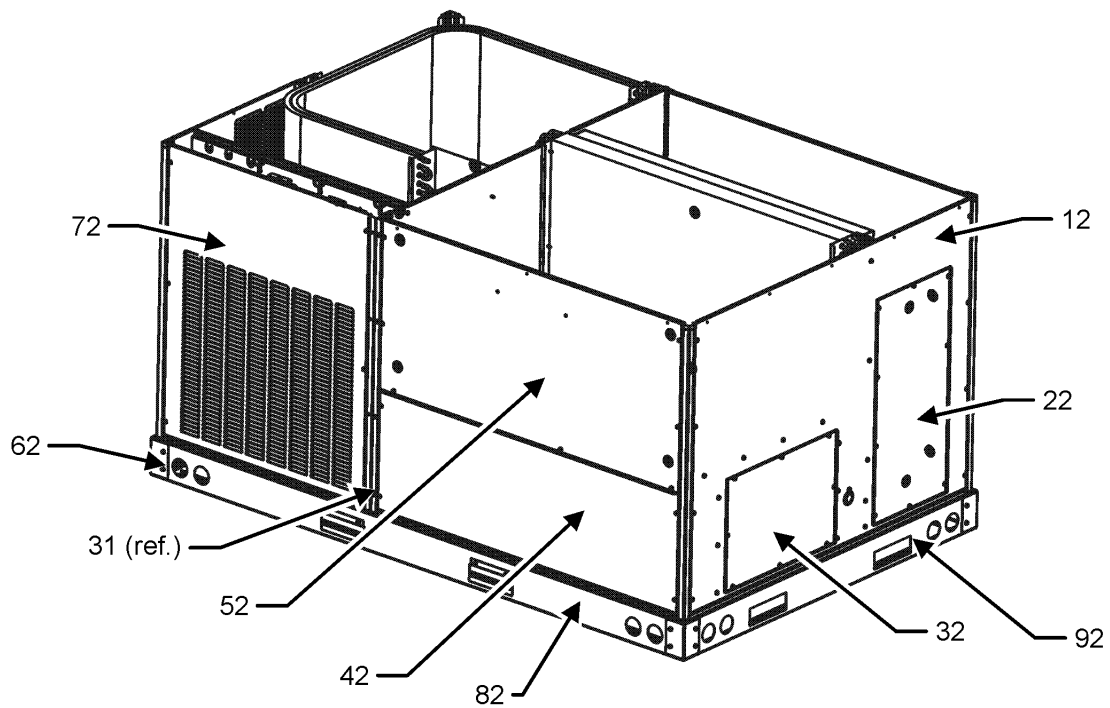


IMAGE 2



Cabinet Assembly

Ref. Part No:	Part No:	Description:	Ref. Part No:	Part No:	Description:
---------------	----------	--------------	---------------	----------	--------------

Image 1:

11	0270L00363NG	FILTER DOOR			
21	0121L00976NG	ECONOMIZER DOOR			
31	0121L00343RFNG	POST-SIDE SUPPORT (QTY 2)			
41	0121L00344RFNG	Painted Roll F, Post Corner (QTY 2)			
41	0121L02554RFNG	PNT, ROLL FORMED, CORNER POST (M1, M4, M8, M9, M10)			
51	0121L00354NG	LOUVERED COMPRESSOR PANEL (M1, M2, M3, M4, M5, M6, M7)			
51	0121L00836NG	LOUVERED COMPRESSOR PANEL (M9)			
51	0121L00840NG	LOUVERED COMPRESSOR PANEL (M8, M10)			
61	0121L01169RFNG	Post-Side RF, Painted [6Ton] (M2, M3, M5, M6, M7)			
61	0121L01382RFNG	SIDE POST (M1, M4, M8, M9, M10)			
NS	0121L01309	ECONOMIZER COVER (M4)			
NS	0121L02655	END RAIL			
NS	0164L00009	GASKET-RUBBER, CPOST (QTY 3)			
NS	0164L00011	GASKET-RUBBER, SIDE POST (QTY 2)			

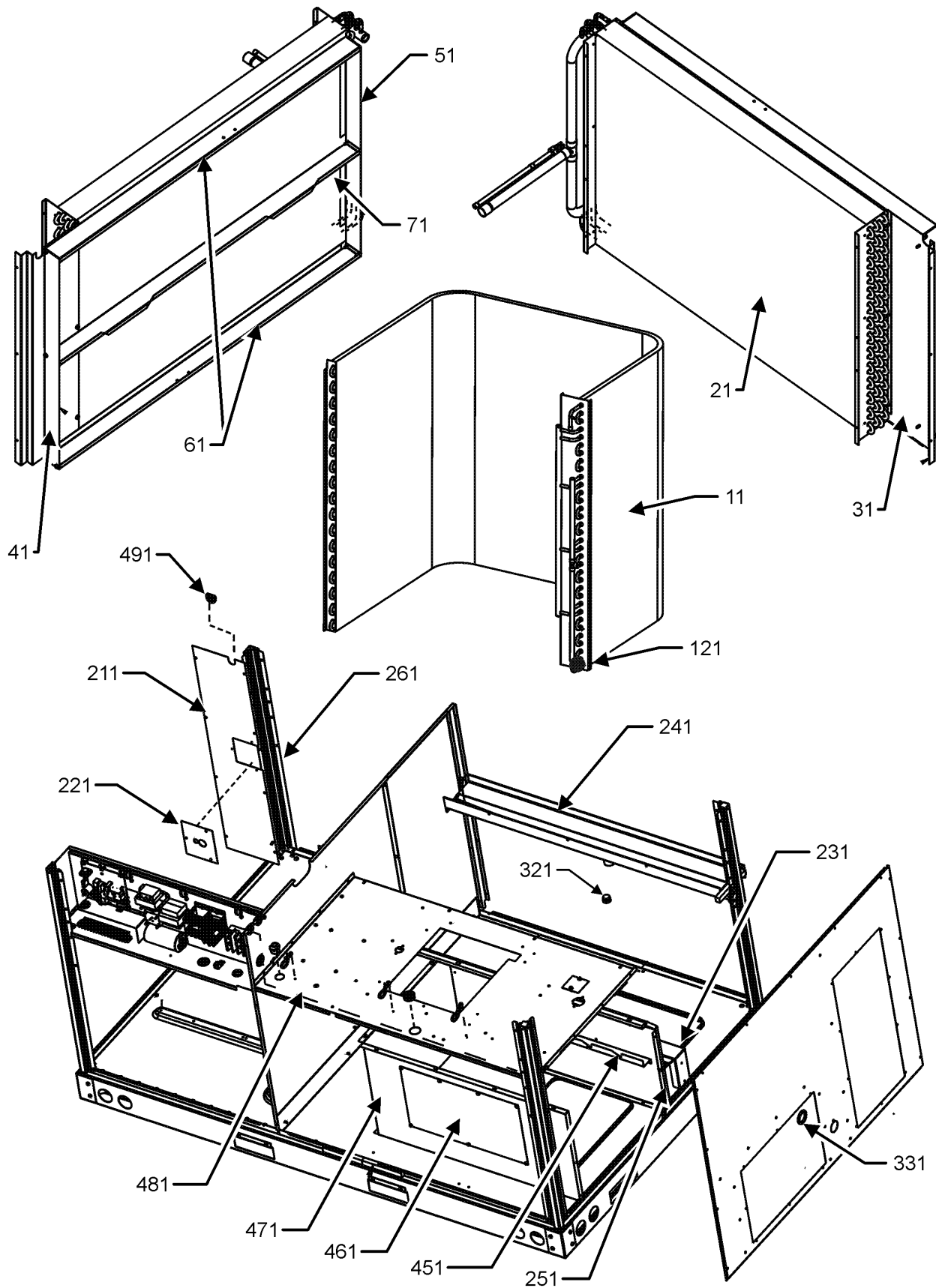
Image 2:

12	0121L00342NG	DUCT PANEL			
22	0121L00023NG	RETURN DUCT COVER			
32	0121L00024NG	SUPPLY DUCT COVER			
42	0121L01176NG	ELECTRIC HEAT DOOR			
52	0121L01172NG	BLOWER DOOR			
62	0121G00301	RAIL CORNER BRACKET (QTY 4)			
72	0121L01170NG	LOUVERED CONTROL PANEL			
82	0121L00244RF	SIDE RAIL (QTY 2)			
92	0121L00245	END RAIL			

Expanded Model Nomenclature

M1 - DTH060XXX1DXDAAA
M2 - DTH060XXX1DXXAAA
M3 - DTH060XXX1DXXXAA
M4 - DTH060XXX3DFDXAA
M5 - DTH060XXX3DVXYAA
M6 - DTH060XXX3DXXAAA
M7 - DTH060XXX3DXXXAA
M8 - DTH0600103DHDAAA
M9 - DTH0600103DHDAAA
M10 - DTH0600103DHDQAA

Partition, Condenser & Evaporator Assy



Partition, Condenser & Evaporator Assy

Ref. Part No:	Ref. Part No:	Description:	Description:
Image 1:			
11	0201L00279	TUBING ASSY, COND COIL (M1, M2, M3)	
11	0201L00284	TUBING ASSY, COND COIL (M4, M5, M6, M7, M8, M9, M10)	
21	0202L00145	TUBING ASSY, EVAP COIL	
31	0121L00345	BLOCKOFF-EVAPORATOR (M1, M2, M3, M4, M6, M7, M8, M9)	
31	0121L00337	EVAPORATOR BLOCKOFF (M5)	
31	0121L00345	EVAPORATOR BLOCKOFF (M1, M2, M3, M4, M6, M7, M8, M9)	
31	0121L00398	EVAPORATOR BLOCKOFF (M10)	
41	0121L00358	FILTER ANGLE-VERTICAL (HAIRPIN SIDE)	
51	0121L00357	FILTER ANGLE-VERTICAL (RETURN SIDE)	
61	0121L00932	FILTER ANGLE-HORIZONTAL (QTY 2)	
71	0121L01255	ANGLE-FILTER CENTER	
121	0130M00101	DEFROST CONTROL	
211	0121L00348	COND BLOCK-OFF	
221	0121L00939	CONDENSER BLOCKOFF PLATE	
231	0121L00238	DRAIN PAN SUPPORT	
241	0161L00005	DRAIN PAN	
251	0121L02123	DECK SIDE CHANNEL	
261	0121L00349	COND MOUNTING ANGLE	
321	0163L00071	DRAIN PLUG	
331	0154L00009	DRAIN PAN GASKET	
451	0121L00288	ELECTRIC HEAT RETAINER	
461	0121L00144	ELECTRIC HEAT COVER (M8, M9, M10)	
471	0121L00256	ELECTRIC HEAT PANEL	
481	0121L01575	BLOWER DECK	
491	A4568804	GROMMET-D (QTY 4)	
NS	0160L00174	AIR FILTER 16 X 20 X 2 (QTY 4)	
NS	0121L01377	BLOWER DECK SUPPORT (M1, M4, M8, M9, M10)	
NS	0121L00321	SMOKE DETECTOR COVER	

Expanded Model Nomenclature

M1 - DTH060XXX1DXDAAA
M2 - DTH060XXX1DXXAAA
M3 - DTH060XXX1DXXXAA
M4 - DTH060XXX3DFDXAA
M5 - DTH060XXX3DVXYAA
M6 - DTH060XXX3DXXAAA
M7 - DTH060XXX3DXXXAA
M8 - DTH0600103DHDAAA
M9 - DTH0600103DHDPA A
M10 - DTH0600103DHDQAA

Blower and Control Board Assembly

IMAGE 1

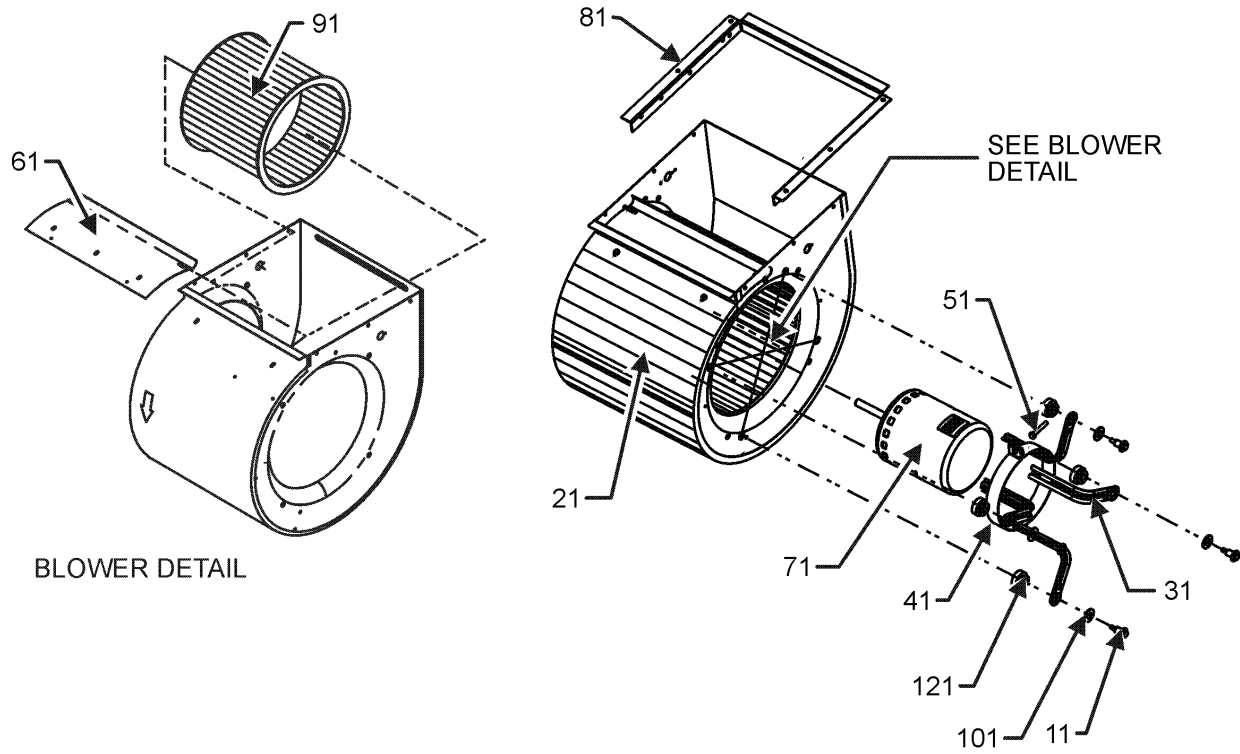
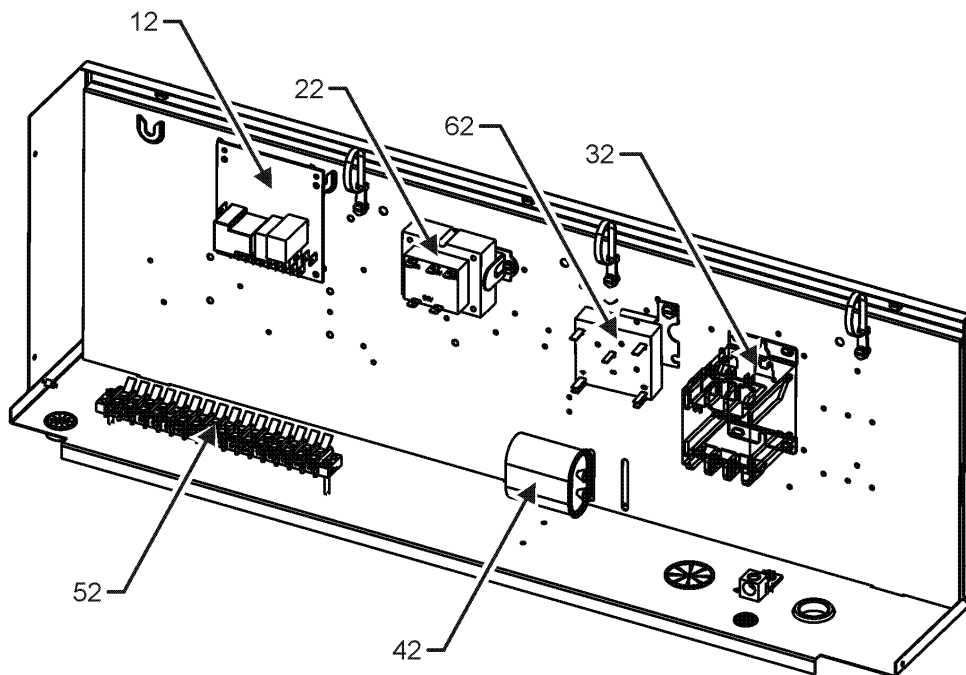


IMAGE 2



Blower and Control Board Assembly

Ref. Part No:	Ref. Part No:	Description:	Description:
---------------	---------------	--------------	--------------

Image 1:

11	M0221461	TC SCREW (QTY 4)
21	11185811	HSG WELD 11X10 FUR
31	10441501	MOUNT ARM, MOTOR, A36-42 (QTY 4)
41	10441601	MOTOR MOUNT BAND
51	M0267144	SCREW-MACH
61	C6121807	BLOWER CUT-OFF
71	0131M00815	MOTOR-1HP PROGRAMMED SELECTECH
81	0121L00281	BLOWER MOUNTING ANGLE
91	B1368000	BLOWER WHEEL 11 X10
101	M0274008	WASHER, FLAT (QTY 4)
121	A4002702	GROMMET (QTY 4)
NS	M0282015	KEPS NUT

Image 2:

12	PCBDM133	PCB, DEFROST CONTROL
22	0130M00138	TRANSFORMER, 208/230, 24V
32	CONT3P030024V	CONTACTOR 30 AMP, 3P, 24V (M4, M5, M6, M7, M8, M9, M10)
32	CONT2P040024V	CONTACTOR 40 AMP, 2P, 24V (M4)
42	CAP100700440CT	CAP, 10/70 MFD/ 440V/ DUAL RD (M1, M2, M3)
42	CAP100000370LA	CAPACITOR 10/370V (M4, M5, M6, M7, M8, M9, M10)
52	0130M00038	TERMINAL BOARD
62	0130M00025	RELAY, SPDT (M9)
NS	0259L00178	HARNESS, ECONOMIZER
NS	0259L00070	HARNESS, WIRING
NS	0130M00127	MOTOR POWER HARNESS (M4)
NS	20520901	STRAP-CAPACITOR (M4)
NS	0259L00121	WIRE HARNESS
NS	0259L00091	WIRE HARNESS-SMOKE DETECTOR (M9)
NS	0259L00058	WIRING HARNESS
NS	0259L00073	WIRING HARNESS
NS	0130M00126	X-13 LOW VOLTAGE WIRE HARNESS

Expanded Model Nomenclature

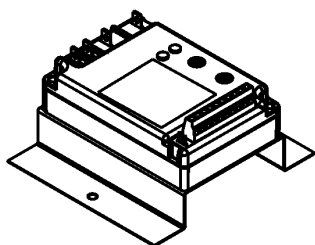
M1 - DTH060XXX1DXDAAA
M2 - DTH060XXX1DXXAAA
M3 - DTH060XXX1DXXXAA
M4 - DTH060XXX3DFDXAA
M5 - DTH060XXX3DVXYAA
M6 - DTH060XXX3DXXAAA
M7 - DTH060XXX3DXXXAA
M8 - DTH0600103DHDAAA
M9 - DTH0600103DHDPAA
M10 - DTH0600103DHDQAA

Accessory List

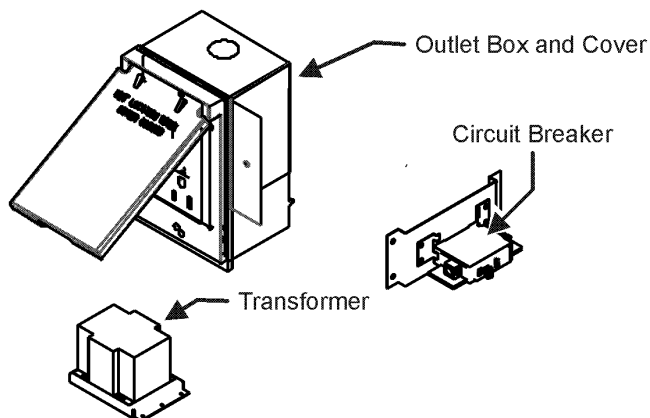
ACCESSORY PARTS LIST

NOTE: NOT ALL OPTIONS AVAILABLE FOR ALL PRODUCTS

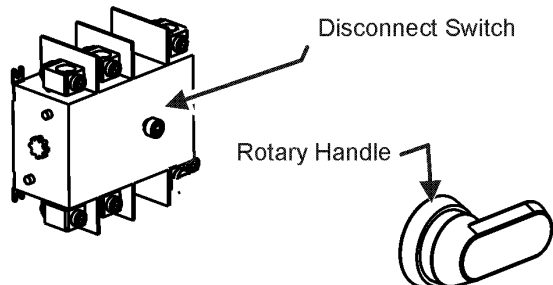
1 LOW AMBIENT KITS



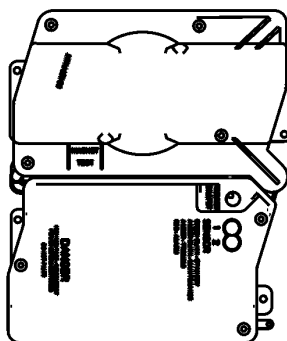
2 GFCI CONVENIENCE OUTLET



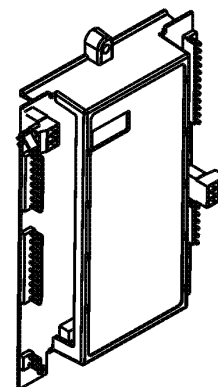
3 DISCONNECT MODULE (NON-FUSED)



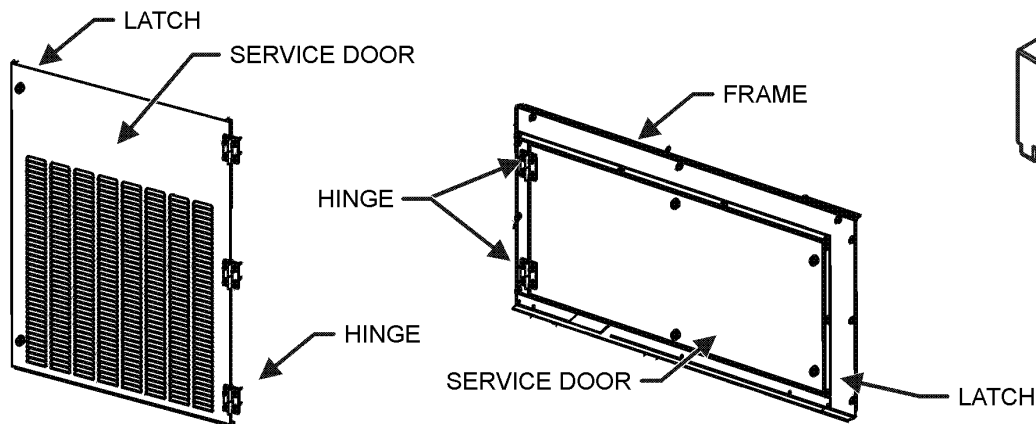
4 SMOKE DETECTORS



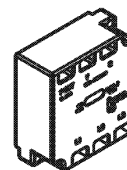
5 DDC CONTROL



6 HINGED DOOR ASSEMBLIES



7 PHASE MONITOR



Accessory List

Ref. Part No:	Ref. Part No:	Description:	Description:
Image 1:			
NS EHK3-10		10 KW 203-230/3 ELECTRIC EHAT (M8, M9, M10)	
NS DDNECNJ3672C		3-6 TON DFLOW ECONOMIZER (M5)	
NS 10366D09C		3-6 TON DFLOW ECONOMIZER, DDC (M4)	
NS 0121L01934		BRACKET SMOKE DETECTOR (M5, M9, M10)	
NS 0121L00316		BRACKET-CONV OUTLET MOUNT (M1, M2, M6, M8, M9, M10)	
NS 0121L00835		BRACKET-DISCONNECT SWITCH (M8, M9, M10)	
NS 0130M00065		CIRCUIT BREAKER, CONVENIENCE OUTLET (M9, M10)	
NS 0259L00368		CURRENT SWITCH WITH TERMS (M4)	
NS 0121L00837NG		DISCONNECT COVER (M8, M9, M10)	
NS 0130L00112		Duct Temp Sensor (M4)	
NS 0130L00012		GANG BOX-GFCI OUTLET (M1, M2, M6, M8, M9, M10)	
NS 0130L00039		HANDLE, ROTARY (M8, M9, M10)	
NS 0163M00307		HINGE, LEFT HAND (M1, M4, M8, M9, M10)	
NS 0163M00308		HINGE, RIGHT HAND (M1, M4, M8, M9, M10)	
NS 0163M00360		LATCH (M1, M4, M8, M9, M10)	
NS 0130M00058		LOW AMBIENT KIT (M5, M10)	
NS 0130L00108		OD Air Temp Sensor (M4)	
NS PCBCG103		PCB, CONTROL, HP, GAS ,AC (M4)	
NS 0121L02529NG		PNT, BLOWER DOOR BACK (M1, M4, M8, M9, M10)	
NS 0121L02510NG		PNT, BLOWER DOOR FRAME (M1, M4, M8, M9, M10)	
NS 0121L02528NG		PNT, BLOWR DOOR FRONT (M1, M4, M8, M9, M10)	
NS 0161G00012		POWER OUTLET BOX (M1, M2, M6, M8, M9, M10)	
NS 0130L00103		RECEPTACLE-GFCI OUTLET (M1, M2, M6, M8, M9, M10)	
NS 0130L00107		ROOM SENSOR (M4)	
NS 0130L00042		SHAFT, CUT (M8)	
NS 0130L00049		SHAFT, DISCONNECT (M9, M10)	
NS D4120		SMOKE DETECTOR, PHOTO 4WIRE (M5, M9, M10)	
NS D4S		SMOKE DETECTOR, SENSOR ONLY (M5)	
NS 0130L00027		SWITCH-DISCONNECT 100A (M9, M10)	
NS 0130L00046		SWITCH-DISCONNECT 60A (M8)	
NS 0130M00274		TERMINAL BOARD (M4)	
NS 0130M00275		TERMINAL BOARD (M4)	
NS 0130M00061		TRANSFORMER, CONVENIENCE OUTLET (M9, M10)	

Expanded Model Nomenclature

- M1 - DTH060XXX1DXDAAA
- M2 - DTH060XXX1DXXAAA
- M3 - DTH060XXX1DXXXAA
- M4 - DTH060XXX3DFDXAA
- M5 - DTH060XXX3DVXYAA
- M6 - DTH060XXX3DXXAAA
- M7 - DTH060XXX3DXXXAA
- M8 - DTH0600103DHDAAA
- M9 - DTH0600103DHDAAA
- M10 - DTH0600103DHDQAA