

High Efficient 4 Ton Commercial Direct Drive Package Heat Pump

DTH0480103DHPAA
DTH0480103DHDQAA
DTH0480103DRXNAA
DTH048XXX1DXDAAA
DTH048XXX1DXDXAA
DTH048XXX1DXXAAA
DTH048XXX1DXXXAA
DTH048XXX3DFDXAA
DTH048XXX3DVXYAA
DTH048XXX3DXXAAA
DTH048XXX3DXXXAA



This manual is to be used by qualified technicians only.

This manual replaces RP-D1076E.

Important Information

Index

Functional Parts List	3
Illustration and Parts	4 - 13

Views shown are for parts illustrations only, not servicing procedures

Text Codes:

AR - As Required

NA - Not Available

NS - Not Shown

00000000 - See Note

QTY - Quantity Example (QTY 3) (If Quantity not shown, Quantity = 1)

M - Model Example (M1) (If M Code not shown, then part is used on all Models)

Expanded Model Nomenclature:

Example M1 - Model#1 M2 - Model#2 M3 - Model#3

Daikin Company, L.P. is not responsible for personal injury or property damage resulting from improper service. Review all service information before beginning repairs.

Warranty service must be performed by an authorized technician, using authorized factory parts. If service is required after the warranty expires, Daikin Company, L.P. also recommends contacting an authorized technician and using authorized factory parts.

Daikin Company, L.P. reserves the right to discontinue, or change at any time, specifications or designs without notice or without incurring obligations.

For assistance within the U.S.A. contact:

Equipment Support
Daikin North America, LLC
19001 Kermier Road
Waller, Texas 77484
855-770-5678-Telephone
713-863-2382-Facsimile

For assistance outside the U.S.A. contact:

International Division
Daikin North America, LLC
19001 Kermier Road
Waller, Texas 77484
713-861-2500-Telephone
713-863-2382-Facsimile

Functional Parts

Part

No: Description:

B1226207	ACCUMULATOR .875
B1368000	BLOWER WHEEL 11 X10
CAP050000370LA	CAPACITOR 5/370V (M5, M6, M7, M8, M9, M10, M11)
CAP050450440CT	CAPACITOR 5/45/440V/DUAL RD (M1, M2, M3, M4)
ZP39K5ETF5130	COMPRESSOR 39000, 200/230/60/3 (M5, M6, M7, M8, M9, M10, M11)
ZP39K5EPFV130	COMPRESSOR 39000, 208/230/60/1 (M1, M2, M3, M4)
CONT3P025024V	CONTACTOR 25 AMP, 3P, 24V (M5, M6, M7, M8, M9, M10, M11)
CONT2P040024V	CONTACTOR 40 AMP, 2P, 24V (M1, M2, M3, M4)
0130M00100	CONTROL, DEFROST
0130M00074	CUT-OUT SWITCH, HIGH PRESSURE
0130M00075	CUT-OUT SWITCH, LOW PRESSURE
0131M00847	MOTOR, 1/4 HP, 1 SP, 6 PL (M1, M2, M3, M4, M5, M7, M8, M9, M11)
0131M00819	MOTOR, 1HP PROGRAMMED SELEC TE
0131L00061	MOTOR, COND, 1/4 HP, 208/230V (M6, M10)
PCBDM133	PCB, DEFROST CONTROL
0130M00025	RELAY, SPDT (M10)
0151R00071	REVERSING VALVE
B1225022	SOLENOID COIL
0130M00038	TERMINAL BOARD
0130M00138	TRANSFORMER, 208/230, 24V

Expanded Model Nomenclature

- | |
|------------------------|
| M1 - DTH048XXX1DXDAAA |
| M2 - DTH048XXX1DXDXAA |
| M3 - DTH048XXX1DXXAAA |
| M4 - DTH048XXX1DXXXAA |
| M5 - DTH048XXX3DFDXAA |
| M6 - DTH048XXX3DVXYAA |
| M7 - DTH048XXX3DXXAAA |
| M8 - DTH048XXX3DXXXAA |
| M9 - DTH0480103DHDPA |
| M10 - DTH0480103DHDQAA |
| M11 - DTH0480103DRXNAA |

Top Panel and Tubing Assembly

IMAGE 1

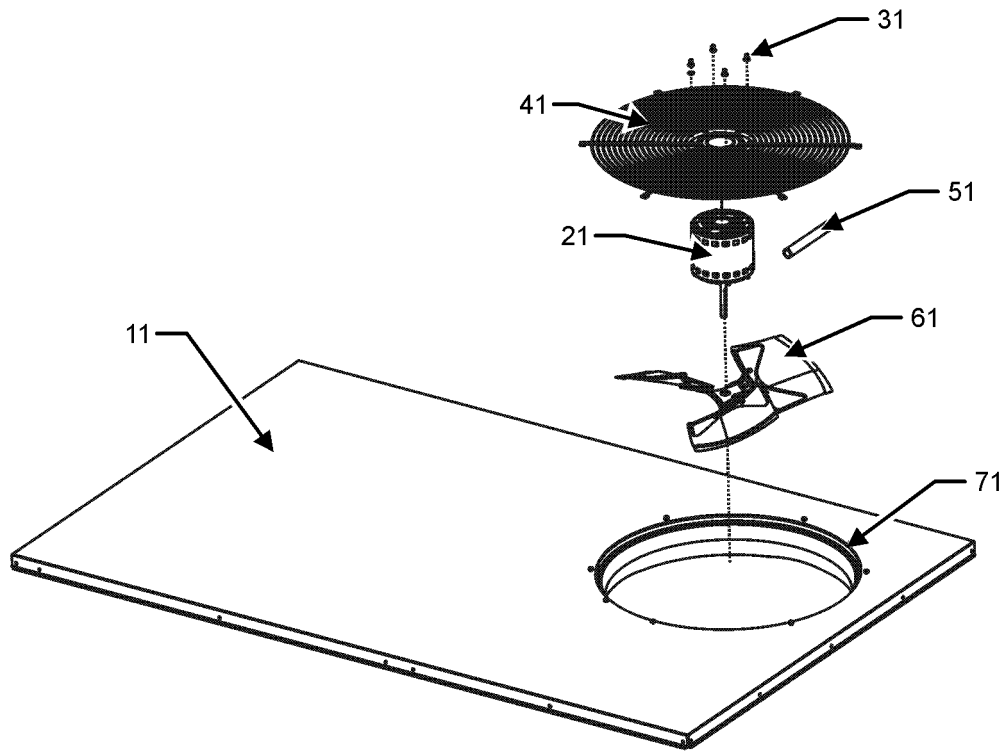
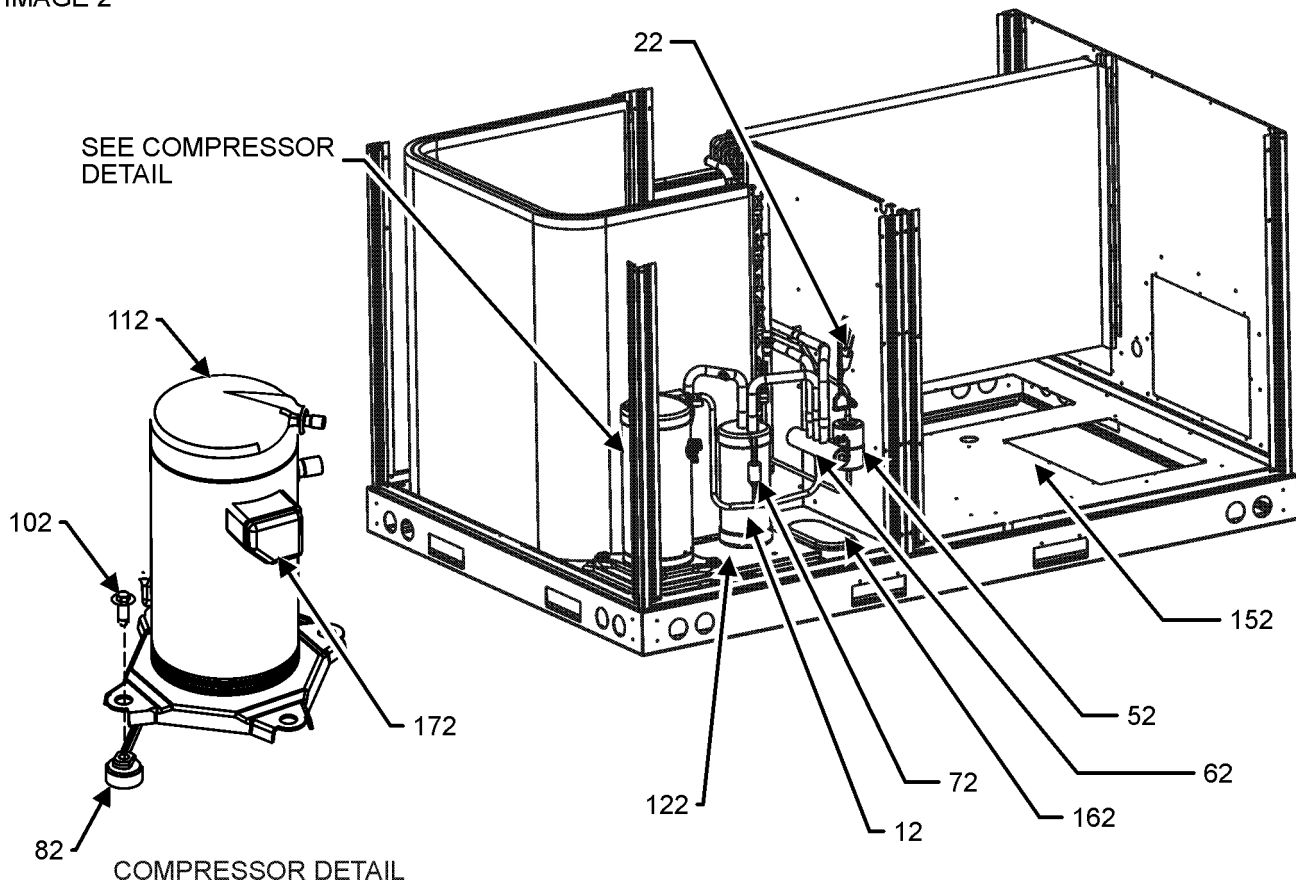


IMAGE 2



Top Panel and Tubing Assembly

Ref. Part No:	Part No:	Description:	Ref. Part No:	Part No:	Description:
---------------	----------	--------------	---------------	----------	--------------

Image 1:

11	0121L00235NG	TOP PANEL
21	0131M00847	MOTOR, 1/4 HP, 1 SP, 6 PL (M1, M2, M3, M4, M5, M7, M8, M9, M11)
21	0131L00061	MOTOR, COND, 1/4 HP, 208/230V (M6, M10)
31	0163M00006P	ACORN NUT 5/16 HEX BLACK (QTY 4)
41	0152G00000	FAN GRILLE (M6, M10)
41	0152G00003	FAN GRILLE (M1, M2, M3, M4, M5, M7, M8, M9, M11)
51	0161R00003P	CONDUIT
61	0150G00004	FAN BLADE
71	0161L00000	VENTURI RING 22"
NS	0163M00004	SCREW #10X3/4", BLACK (QTY 3)
NS	0163M00005P	WASHER, BLACK (.50 OD .218ID) (QTY 4)

Image 2:

12	B1226207	ACCUMULATOR .875
22	0130M00075	CUT-OUT SWITCH, LOW PRESSURE
52	B1219204	BI-FLOW FILTER DRIER
62	0151R00071	REVERSING VALVE
72	0130M00074	CUT-OUT SWITCH, HIGH PRESSURE
82	B1339533	COMPRESSOR GROMMET (QTY 4)
102	M0221641	TF SHOULDER SCREW (QTY 4)
112	ZP39K5ETF5130	COMPRESSOR 39000, 200/230/60/3 (M5, M6, M7, M8, M9, M10, M11)
112	ZP39K5EPFV130	COMPRESSOR 39000, 208/230/60/1 (M1, M2, M3, M4)
122	0121L01308	MOUNTING PLATE-COMPRESSOR
152	0121L02619	BASE PAN, INDOOR
162	0121L01990	BASE PAN-OUTDOOR
172	0159L00027	COMPRESSOR SCROLL HARNESS (M1, M2, M3, M4)
172	0159L00065	COMPRESSOR SCROLL HARNESS (M5, M6, M7, M8, M9, M10, M11)
NS	B1373315	ACCESS FITTING (QTY 2)
NS	0163M00175	CAP WITH O-RING (QTY 2)
NS	B1225022	SOLENOID COIL

Expanded Model Nomenclature

- M1 - DTH048XXX1DXDAAA
- M2 - DTH048XXX1DXDXAA
- M3 - DTH048XXX1DXXAAA
- M4 - DTH048XXX1DXXXAA
- M5 - DTH048XXX3DFDXAA
- M6 - DTH048XXX3DVXYAA
- M7 - DTH048XXX3DXXAAA
- M8 - DTH048XXX3DXXXAA
- M9 - DTH0480103DHDAAA
- M10 - DTH0480103DHDQAA
- M11 - DTH0480103DRXNAA

Cabinet Assembly

IMAGE 1

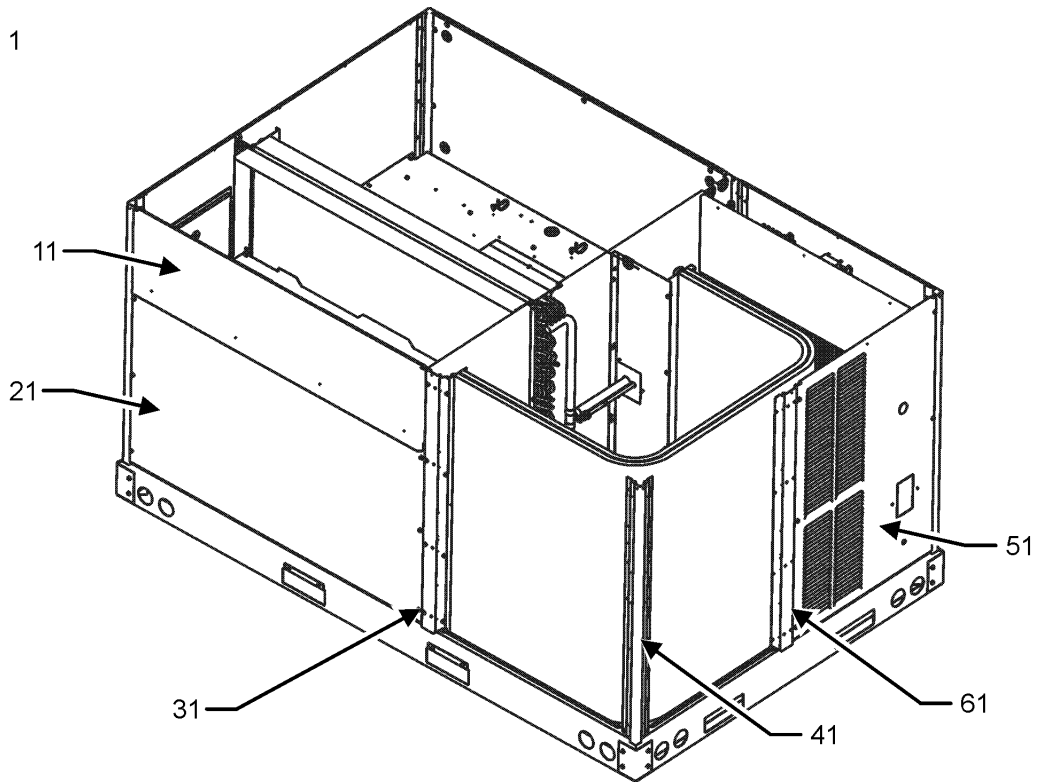
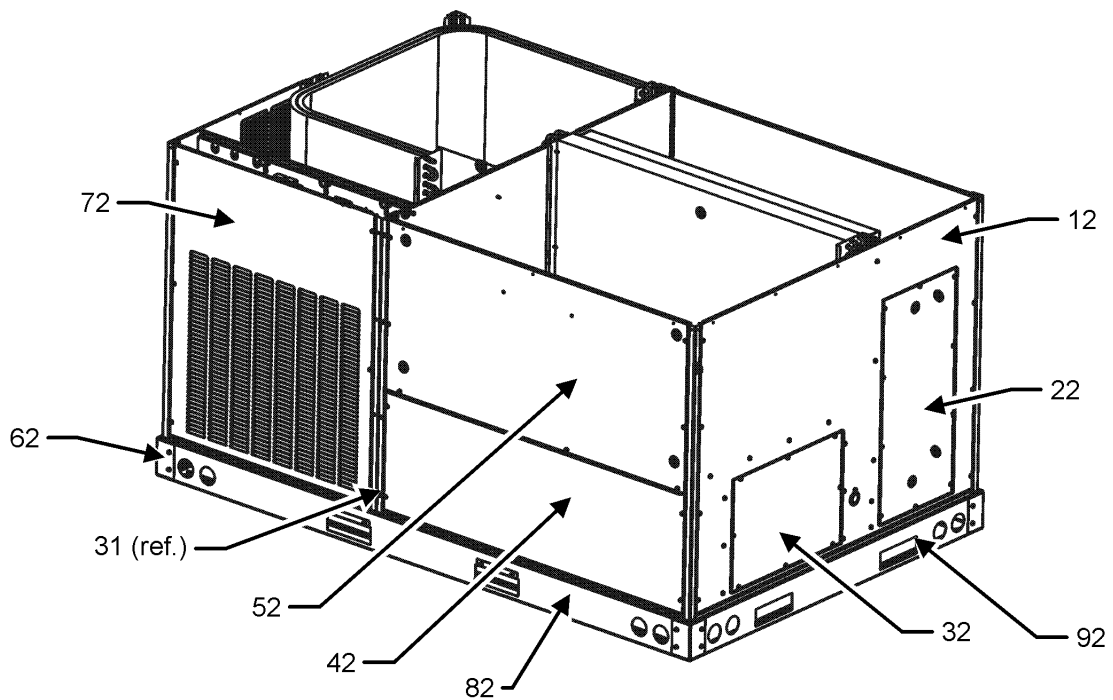


IMAGE 2



Cabinet Assembly

Ref. Part No:	Part No:	Description:	Ref. Part No:	Part No:	Description:
---------------	----------	--------------	---------------	----------	--------------

Image 1:

11	0270L00362NG	FILTER DOOR			
21	0121L00976NG	ECONOMIZER DOOR (M1, M2, M3, M4, M6, M7, M8, M9, M10)			
31	0121L00233RFNG	POST-SIDE SUPPORT (QTY 2)			
41	0121L00237RFNG	CORNER POST (QTY 2)			
41	0121L02553RFNG	PNT, CORNER POST (M1, M2, M5, M9, M10)			
51	0121L00263NG	LOUVERED COMPRESSOR PANEL (M1, M2, M3, M4, M5, M6, M7, M8)			
51	0121L00836NG	LOUVERED COMPRESSOR PANEL (M9, M10, M11)			
61	0121L01374RFNG	PNT, RL FMD SIDE POST SUPPORT (M1, M2, M5, M9, M10)			
61	0121L01159RFNG	RF, Post-Side, Painted 3-5Ton (M3, M4, M6, M7, M8, M11)			
NS	0121L01309	ECONOMIZER COVER (M5, M11)			
NS	0164L00009	GASKET-RUBBER, CPOST (QTY 3)			
NS	0164L00011	GASKET-RUBBER, SIDE POST (QTY 2)			

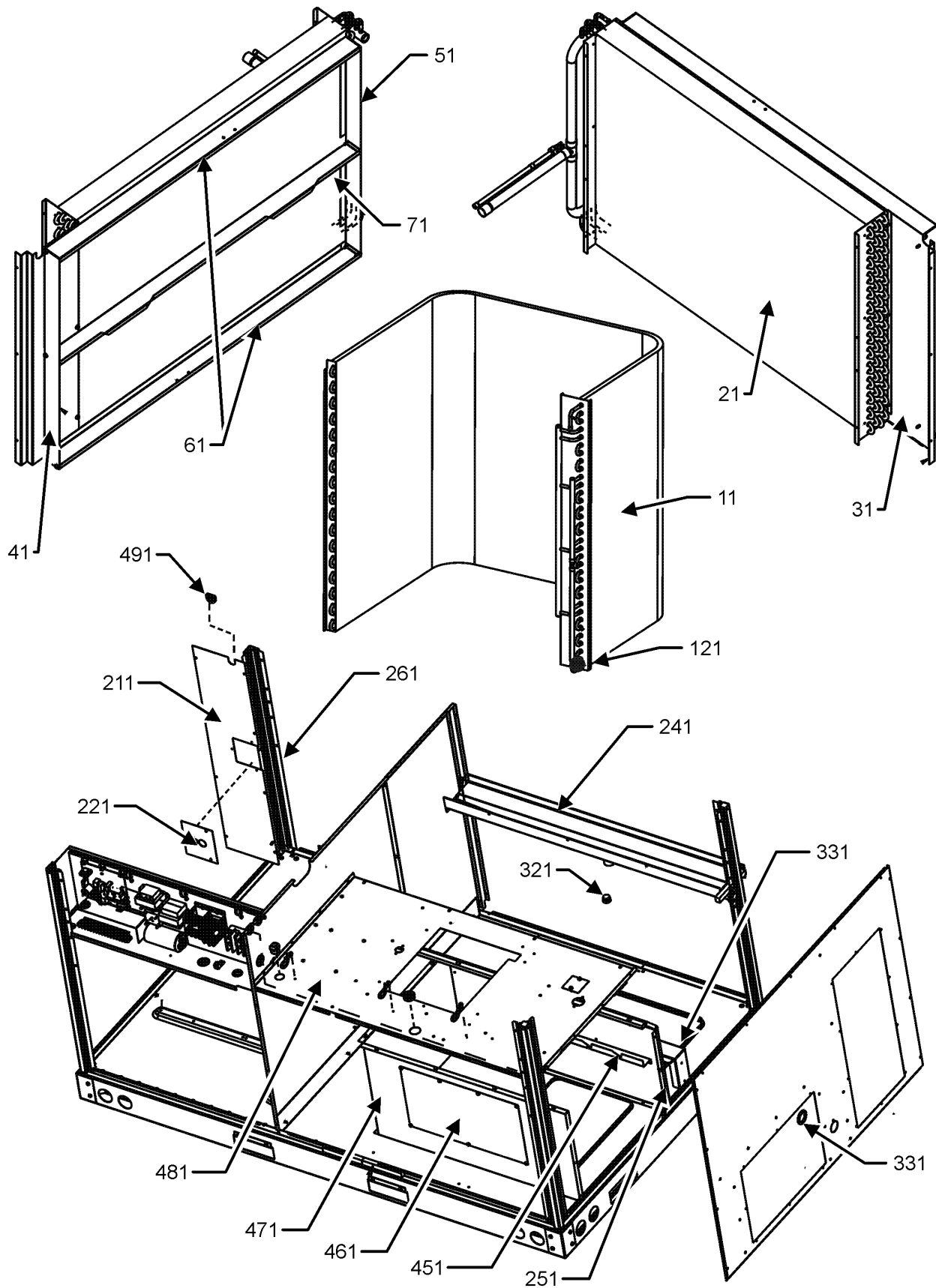
Image 2:

12	0121L00236NG	DUCT PANEL			
22	0121L00023NG	RETURN DUCT COVER			
32	0121L00024NG	SUPPLY DUCT COVER			
42	0121L01176NG	ELECTRIC HEAT DOOR			
52	0121L01157NG	BLOWER DOOR			
62	0121G00301	RAIL CORNER BRACKET (QTY 4)			
72	0121L01121NG	LOUVERED CONTROL PANEL (M3, M4, M6, M7, M8, M11)			
72	0121L02551NG	PNT, CONTROL DOOR (M1, M2, M5, M9, M10)			
82	0121L00244RF	RAIL-SIDE (QTY 2)			
92	0121L00245	RAIL-END			
NS	0121L02655	RAIL-END			

Expanded Model Nomenclature

M1 - DTH048XXX1DXDAAA
M2 - DTH048XXX1DXDXAA
M3 - DTH048XXX1DXXAAA
M4 - DTH048XXX1DXXXAA
M5 - DTH048XXX3DFDXAA
M6 - DTH048XXX3DVXYAA
M7 - DTH048XXX3DXXAAA
M8 - DTH048XXX3DXXXAA
M9 - DTH0480103DHPAA
M10 - DTH0480103DHDQAA
M11 - DTH0480103DRXNAA

Partition, Condenser & Evaporator Assy



Partition, Condenser & Evaporator Assy

Ref. Part No:	Part No:	Description:	Ref. Part No:	Part No:	Description:
---------------	----------	--------------	---------------	----------	--------------

Image 1:

11	0201L00278	TUBING ASSY, COND COIL
21	0202L00143	EVAP COIL ASSY
31	0121L00252	BLOCKOFF-EVAPORATOR (M1, M2, M3, M4, M5, M6, M7, M8, M9, M11)
31	0121L00337	BLOCKOFF-EVAPORATOR (M10)
41	0121L00303	FILTER ANGLE-VERTICAL (HAIRPIN SIDE)
51	0121L00287	FILTER ANGLE-VERTICAL (RETURN SIDE)
61	0121L00932	FILTER ANGLE-HORIZONTAL (QTY 2)
71	0121L01255	ANGLE-FILTER CENTER
121	0130M00100	CONTROL, DEFROST
211	0121L00311	COND BLOCK-OFF
221	0121L00939	CONDENSER BLOCKOFF PLATE
231	0121L00238	DRAIN PAN SUPPORT
241	0161L00005	DRAIN PAN
251	0121L02123	CHANNEL-DECK SIDE
261	0121L00254	COND MOUNTING ANGLE
321	0163L00071	DRAIN PLUG
331	0154L00009	DRAIN PAN GASKET
451	0121L00288	ELECTRIC HEAT RETAINER
461	0121L00144	ELECTRIC HEAT COVER
471	0121L00256	ELECTRIC HEAT PANEL
481	0121L03396	DECK-BLOWER
491	A4568804	GROMMET-D (QTY 4)
NS	0160L00173	AIR FILTER 14 X 20 X 2 (QTY 4)
NS	0121L01377	BLOWER DECK SUPPORT (M1, M2, M5, M9, M10)
NS	0121L00321	SMOKE DETECTOR COVER

Expanded Model Nomenclature

- | |
|-------------------------|
| M1 - DTH048XXX1DXDAAA |
| M2 - DTH048XXX1DXDXAA |
| M3 - DTH048XXX1DXXAAA |
| M4 - DTH048XXX1DXXXAA |
| M5 - DTH048XXX3DFDXAA |
| M6 - DTH048XXX3DVXYAA |
| M7 - DTH048XXX3DXXAAA |
| M8 - DTH048XXX3DXXXAA |
| M9 - DTH0480103DHDPA A |
| M10 - DTH0480103DHDQA A |
| M11 - DTH0480103DRXNAA |

Blower and Control Panel Assembly

IMAGE 1

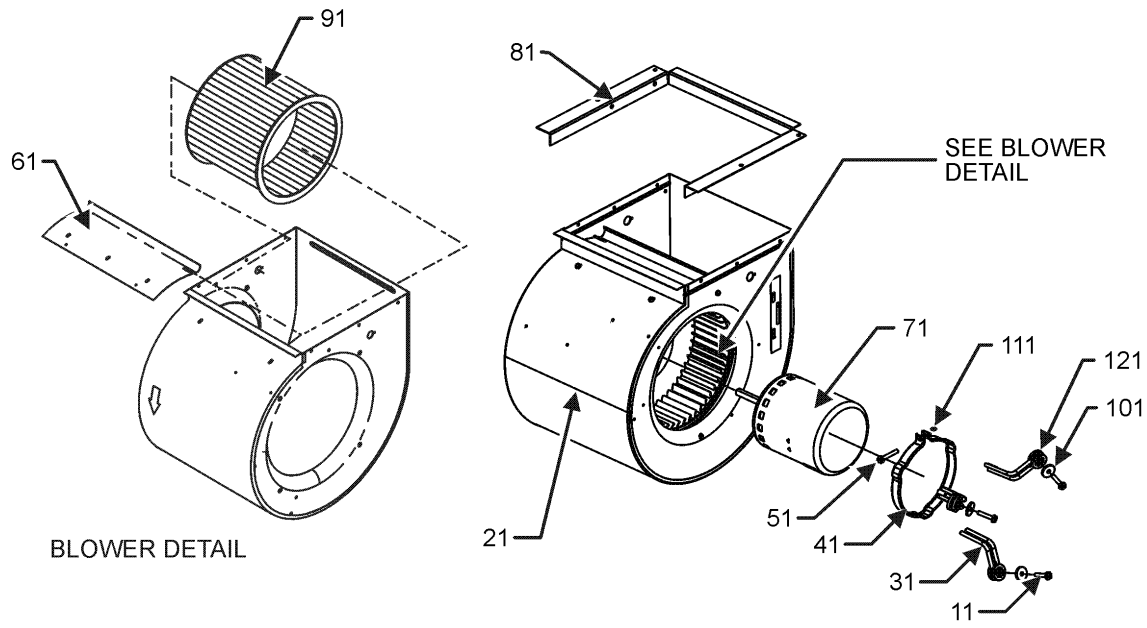
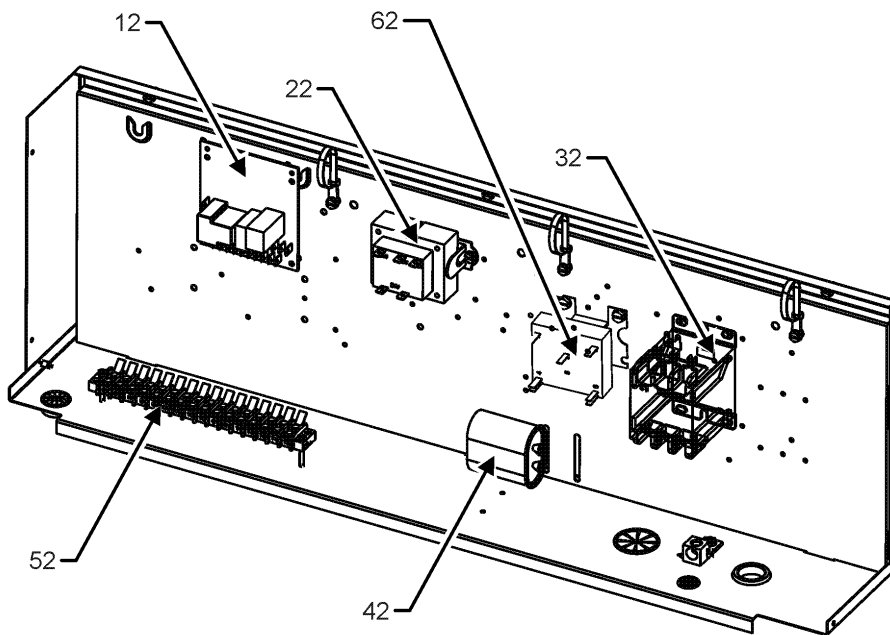


IMAGE 2



Blower and Control Panel Assembly

Ref. Part No:	Part No:	Description:	Ref. Part No:	Part No:	Description:
---------------	----------	--------------	---------------	----------	--------------

Image 1:

11	M0221461	TC SCREW (QTY 4)
21	11185811	HSG WELD 11X10 FUR
31	10441501	MOUNT ARM, MOTOR, A36-42 (QTY 4)
41	10441601	MOTOR MOUNT BAND
51	M0267144	MACHINE SCREW
61	C6121807	BLOWER CUT-OFF
71	0131M00819	MOTOR, 1HP PROGRAMMED SELEC TE
81	0121L00281	BLOWER MOUNTING ANGLE
91	B1368000	BLOWER WHEEL 11 X10
101	M0274008	WASHER-FLAT (QTY 4)
111	M0282015	KEPS NUT
121	A4002702	GROMMET (QTY 4)

Image 2:

12	PCBDM133	PCB, DEFROST CONTROL
22	0130M00138	TRANSFORMER, 208/230, 24V
32	CONT3P025024V	CONTACTOR 25 AMP, 3P, 24V (M5, M6, M7, M8, M9, M10, M11)
32	CONT2P040024V	CONTACTOR 40 AMP, 2P, 24V (M1, M2, M3, M4)
42	CAP050000370LA	CAPACITOR 5/370V (M5, M6, M7, M8, M9, M10, M11)
42	CAP050450440CT	CAPACITOR 5/45/440V/DUAL RD (M1, M2, M3, M4)
52	0130M00038	TERMINAL BOARD
62	0130M00025	RELAY, SPDT (M10)
NS	0259L00178	HARNESS, ECONOMIZER
NS	0130M00127	MOTOR POWER HARNESS
NS	0259L00058	WIRE HARNESS
NS	0259L00070	WIRE HARNESS (M6, M10)
NS	0259L00073	WIRE HARNESS
NS	0259L00121	WIRE HARNESS
NS	0259L00091	WIRE HARNESS-SMOKE DETECTOR (M6, M9, M10)
NS	0130M00126	X-13 LOW VOLTAGE WIRE HARNESS

Expanded Model Nomenclature

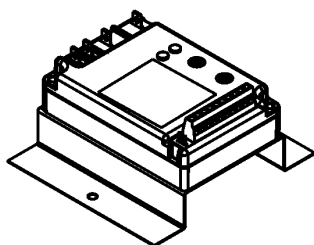
M1 - DTH048XXX1DXDAAA
M2 - DTH048XXX1DXDXAA
M3 - DTH048XXX1DXXAAA
M4 - DTH048XXX1DXXXAA
M5 - DTH048XXX3DFDXAA
M6 - DTH048XXX3DVXYAA
M7 - DTH048XXX3DXXAAA
M8 - DTH048XXX3DXXXAA
M9 - DTH0480103DHDPAA
M10 - DTH0480103DHDQAA
M11 - DTH0480103DRXNAA

Accessory List

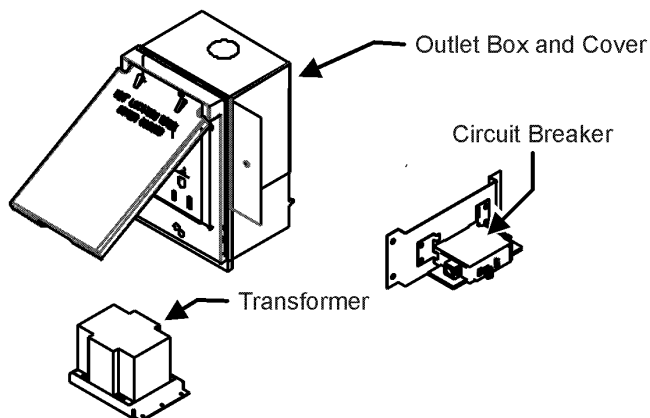
ACCESSORY PARTS LIST

NOTE: NOT ALL OPTIONS AVAILABLE FOR ALL PRODUCTS

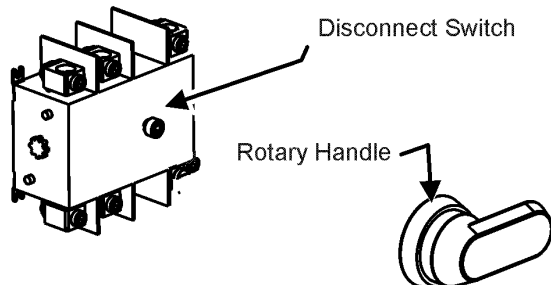
1 LOW AMBIENT KITS



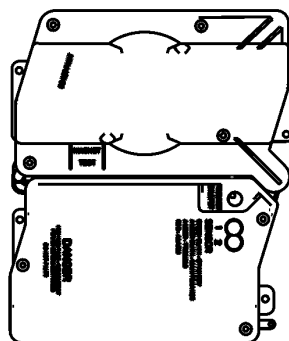
2 GFCI CONVENIENCE OUTLET



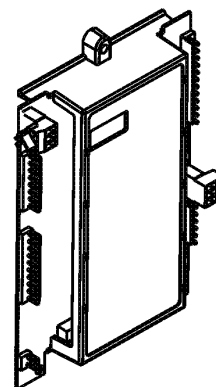
3 DISCONNECT MODULE (NON-FUSED)



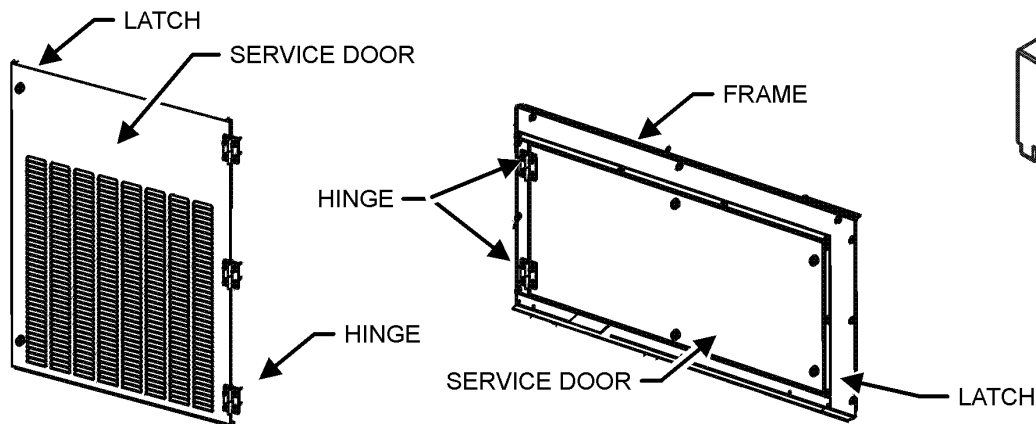
4 SMOKE DETECTORS



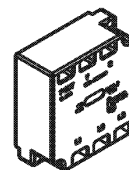
5 DDC CONTROL



6 HINGED DOOR ASSEMBLIES



7 PHASE MONITOR



Accessory List

Ref. Part No:	Ref. Part No:	Description:	Description:
Image 1:			
NS EHK3-10		10 KW 203-230/3 ELECTRIC EHAT (M9, M10, M11)	
NS DDNECNJ3672C		3-6 TON DFLOW ECONOMIZER (M6)	
NS 10366D09C		3-6 TON DFLOW ECONOMIZER, DDC (M5, M11)	
NS 0121L01934		BRACKET SMOKE DETECTOR (M6, M9, M10, M11)	
NS 0121L00316		BRACKET-CONV OUTLET MOUNT (M1, M3, M7, M9, M10, M11)	
NS 0121L00835		BRACKET-DISCONNECT SWITCH (M9, M10, M11)	
NS 0130M00065		CIRCUIT BREAKER, CONVENIENCE OUTLET (M9, M10, M11)	
NS 0259L00368		CURRENT SWITCH WITH TERMS (M5, M11)	
NS 0121L00837NG		DISCONNECT COVER (M9, M10, M11)	
NS 0130L00112		Duct Temp Sensor (M5, M11)	
NS 0130L00012		GANG BOX-GFCI OUTLET (M1, M3, M7, M9, M10, M11)	
NS 0130L00039		HANDLE, ROTARY (M9, M10, M11)	
NS 0163M00307		HINGE, LEFT HAND (M1, M2, M5, M9, M10)	
NS 0163M00308		HINGE, RIGHT HAND (M1, M2, M5, M9, M10)	
NS 0163M00360		LATCH (M1, M2, M5, M9, M10)	
NS 0130M00058		LOW AMBIENT KIT (M6, M10)	
NS 0130L00108		OD Air Temp Sensor (M5, M11)	
NS PCBCG103		PCB, CONTROL, HP, GAS, AC (M5, M11)	
NS 0121L02509NG		PNT, BLOWER FRAME (M1, M2, M5, M9, M10)	
NS 0161G00012		POWER OUTLET BOX (M1, M3, M7, M9, M10, M11)	
NS 0130L00103		RECEPTACLE-GFCI OUTLET (M1, M3, M7, M9, M10, M11)	
NS 0130L00107		ROOM SENSOR (M5, M11)	
NS 0121L02527NG		SERVICE DOOR BACK , BLOWER (M1, M2, M5, M9, M10)	
NS 0121L02526NG		SERVICE DOOR FRONT, BLOWER (M1, M2, M5, M9, M10)	
NS 0130L00049		SHAFT, DISCONNECT (M9, M10, M11)	
NS D4120		SMOKE DETECTOR, PHOTO 4WIRE (M6, M9, M10, M11)	
NS D4S		SMOKE DETECTOR, SENSOR ONLY (M6)	
NS 0130L00027		SWITCH-DISCONNECT 100A (M9, M10, M11)	
NS 0130M00274		TERMINAL BOARD (M5, M11)	
NS 0130M00275		TERMINAL BOARD (M5, M11)	
NS 0130M00061		TRANSFORMER, CONVENIENCE OUTLET (M9, M10, M11)	

Expanded Model Nomenclature

- | |
|------------------------|
| M1 - DTH048XXX1DXDAAA |
| M2 - DTH048XXX1DXDXAA |
| M3 - DTH048XXX1DXXAAA |
| M4 - DTH048XXX1DXXXAA |
| M5 - DTH048XXX3DFDXAA |
| M6 - DTH048XXX3DVXYAA |
| M7 - DTH048XXX3DXXAAA |
| M8 - DTH048XXX3DXXXAA |
| M9 - DTH0480103DHDAAA |
| M10 - DTH0480103DHDQAA |
| M11 - DTH0480103DRXAAA |