

## Commercial 3 Ton Direct Drive Package Heat Pump

DTH0360103DHDPAA  
DTH0360103DHXJAA  
DTH0360103DHXXAA  
DTH036XXX1DXXAAA  
DTH036XXX1DXXXAA  
DTH036XXX3DFDXAA  
DTH036XXX3DXXAAA  
DTH036XXX3DXXXAA



This manual is to be used by qualified technicians only.

This manual replaces RP-D1075E.

# Important Information

---

## Index

Functional Parts List .....	3
Illustration and Parts .....	4 - 13

*Views shown are for parts illustrations only, not servicing procedures*

### Text Codes:

AR - As Required

NA - Not Available

NS - Not Shown

00000000 - See Note

QTY - Quantity Example (QTY 3) (If Quantity not shown, Quantity = 1)

M - Model Example (M1) (If M Code not shown, then part is used on all Models)

### Expanded Model Nomenclature:

Example M1 - Model#1 M2 - Model#2 M3 - Model#3
---

Daikin Company, L.P. is not responsible for personal injury or property damage resulting from improper service. Review all service information before beginning repairs.

Warranty service must be performed by an authorized technician, using authorized factory parts. If service is required after the warranty expires, Daikin Company, L.P. also recommends contacting an authorized technician and using authorized factory parts.

Daikin Company, L.P. reserves the right to discontinue, or change at any time, specifications or designs without notice or without incurring obligations.

For assistance within the U.S.A. contact:

Equipment Support  
Daikin North America, LLC  
19001 Kermier Road  
Waller, Texas 77484  
855-770-5678-Telephone  
713-863-2382-Facsimile

For assistance outside the U.S.A. contact:

International Division  
Daikin North America, LLC  
19001 Kermier Road  
Waller, Texas 77484  
713-861-2500-Telephone  
713-863-2382-Facsimile

# Functional Parts

**Part**

**No: Description:**

---

B1226207	ACCUMULATOR .875
D6723303	BLOWER WHEEL
CAP050000370LA	CAPACITOR 5/370V (M3, M4, M5, M6, M7, M8)
CAP050450440CT	CAPACITOR 5/45/440V/DUAL RD (M1, M2)
ZP29K5EPFV130	COMP,29000,208/230/60/1 (M1, M2)
ZP29K5ETF5130	COMP,29000.208/230/60/3 (M3, M4, M5, M6, M7, M8)
CONT3P025024V	CONTACTOR 25 AMP, 3P, 24V (M3, M4, M5, M6, M7, M8)
CONT2P040024V	CONTACTOR 40 AMP, 2P, 24V (M1, M2)
0130M00074	CUT-OUT SWITCH, HIGH PRESSURE
0130M00075	CUT-OUT SWITCH, LOW PRESSURE
0130M00100	DEFROST CONTROL
0131M00817	MOTOR, 1/2HP PROGRAMMED SELEC
0131M00847	MOTOR, 1/4 HP, 1 SP, 6 PL
PCBDM133	PCB, DEFROST CONTROL
0130M00025	RELAY,SPDT (M6)
0151R00071	REVERSING VALVE
B1225022	SOLENOID COIL
0130M00038	TERMINAL BOARD
0130M00138	TRANSFORMER, 208/230, 24V

**Expanded Model Nomenclature**

- |                       |
|-----------------------|
| M1 - DTH036XXX1DXXAAA |
| M2 - DTH036XXX1DXXXAA |
| M3 - DTH036XXX3DFDXAA |
| M4 - DTH036XXX3DXXAAA |
| M5 - DTH036XXX3DXXXAA |
| M6 - DTH0360103DHDPAA |
| M7 - DTH0360103DHXJAA |
| M8 - DTH0360103DHXXAA |

# Top Panel and Tubing Assembly

IMAGE 1

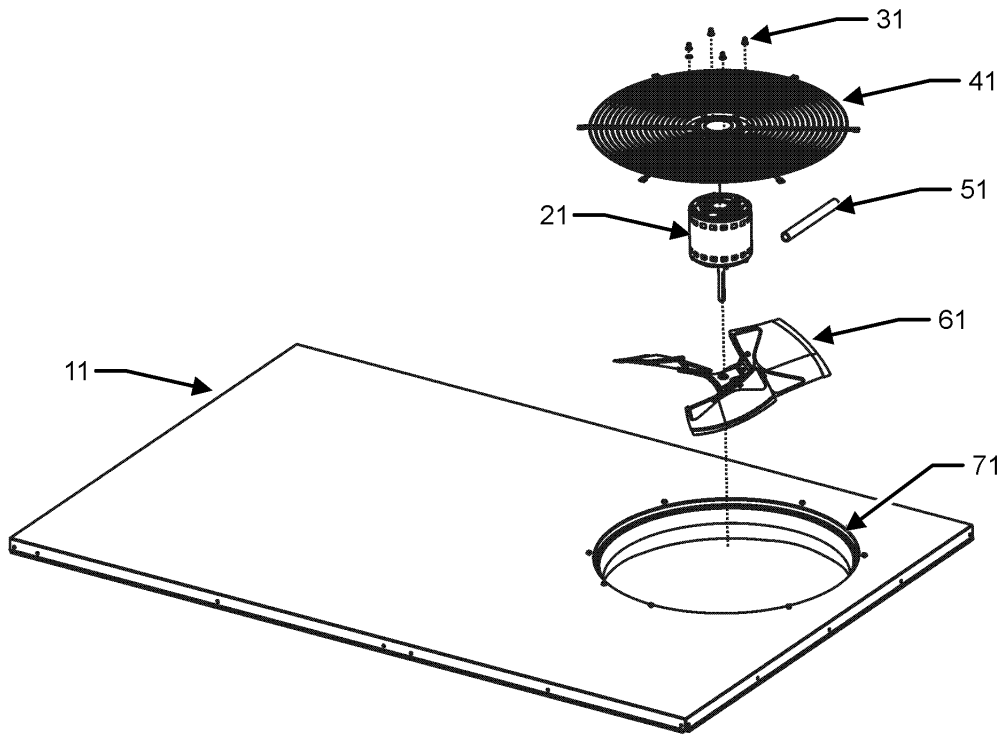
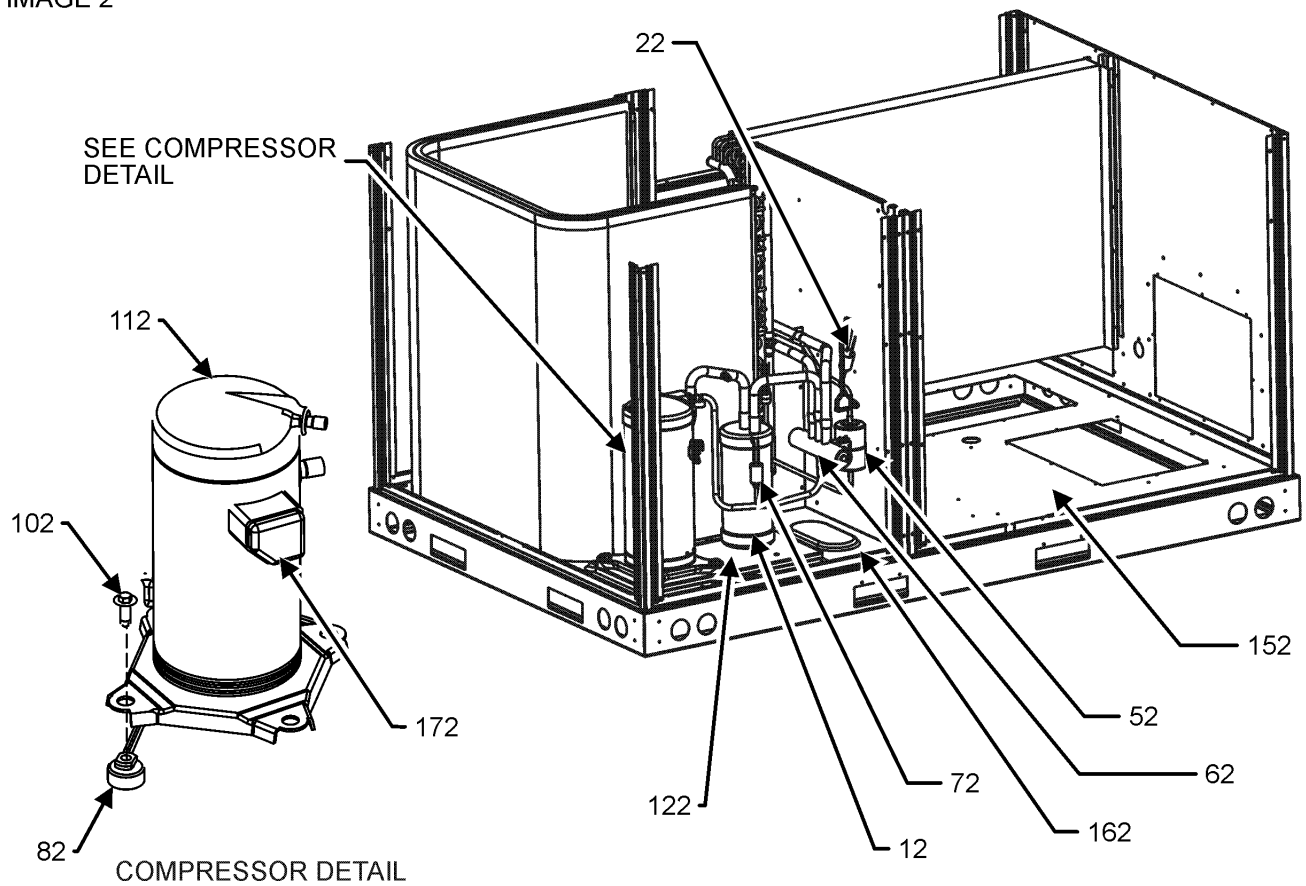


IMAGE 2



# Top Panel and Tubing Assembly

Ref. Part No: No:	Description:	Ref. Part No: No:	Description:
-------------------	--------------	-------------------	--------------

**Image 1:**

11	0121L00235NG	TOP PANEL
21	0131M00847	MOTOR, 1/4 HP, 1 SP, 6 PL
31	0163M00006P	ACORN NUT 5/16 HEX BLACK (QTY 4)
41	0152G00003	FAN GRILLE
51	0161R00003P	CONDUIT
61	0150G00004	FAN BLADE
71	0161L00000	VENTURI RING 22"
NS	0163M00004	SCREW #10X3/4", BLACK (QTY 18)
NS	0163M00005P	WASHER, BLACK (.50 OD .218ID) (QTY 4)

**Image 2:**

12	B1226207	ACCUMULATOR .875
22	0130M00075	CUT-OUT SWITCH, LOW PRESSURE
52	B1219204	BI-FLOW FILTER DRIER
62	0151R00071	REVERSING VALVE
72	0130M00074	CUT-OUT SWITCH, HIGH PRESSURE
82	B1339533	COMPRESSOR GROMMET (QTY 4)
102	M0221641	TF SHOULDER SCREW (QTY 4)
112	ZP29K5EPFV130	COMP.29000.208/230/60/1 (M1, M2)
112	ZP29K5ETF5130	COMP.29000.208/230/60/3 (M3, M4, M5, M6, M7, M8)
122	0121L01308	MOUNTING PLATE-COMPRESSOR
152	0121L02619	BASE PAN, INDOOR
162	0121L01990	BASE PAN, OUTDOOR
172	0159L00027	COMPRESSOR SCROLL HARNESS (M1, M2)
172	0159L00065	COMPRESSOR SCROLL HARNESS (M3, M4, M5, M6, M7, M8)
NS	B1373315	ACCESS FITTING (QTY 2)
NS	0163M00175	CAP WITH O-RING (QTY 2)
NS	B1225022	SOLENOID COIL

**Expanded Model Nomenclature**

- |                       |
|-----------------------|
| M1 - DTH036XXX1DXXAAA |
| M2 - DTH036XXX1DXXAAA |
| M3 - DTH036XXX3DFDXAA |
| M4 - DTH036XXX3DXXAAA |
| M5 - DTH036XXX3DXXXAA |
| M6 - DTH0360103DHPAA  |
| M7 - DTH0360103DHXJAA |
| M8 - DTH0360103DHXXAA |

# Cabinet Assembly

IMAGE 1

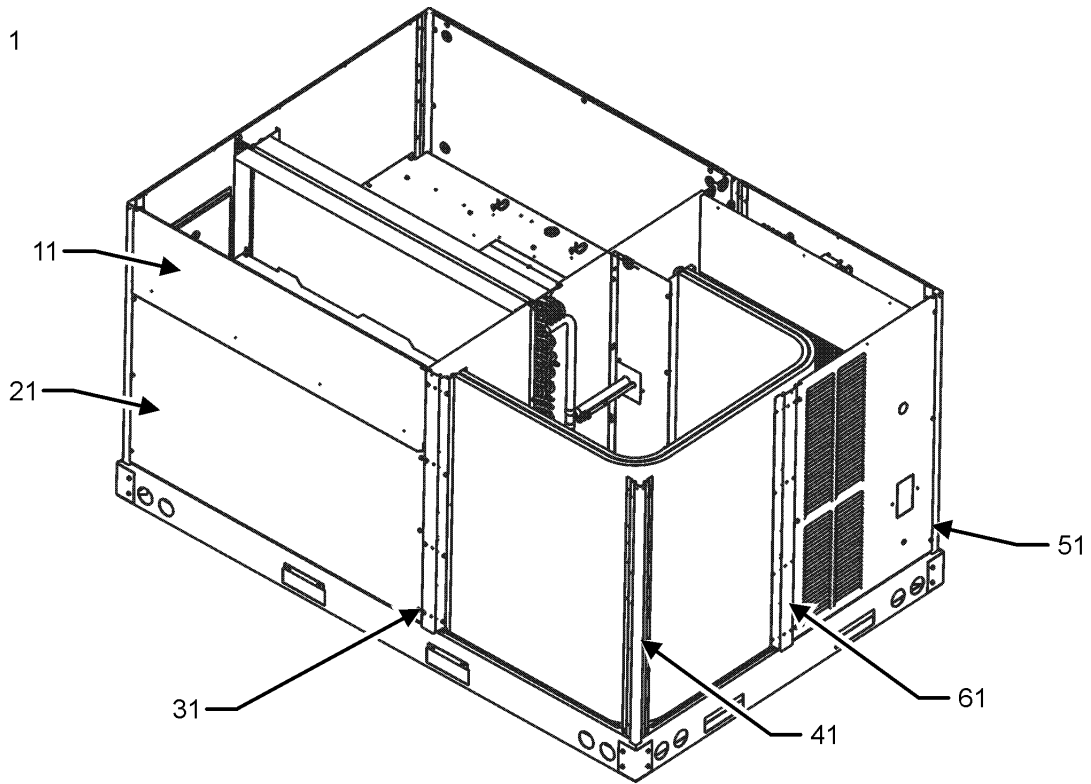
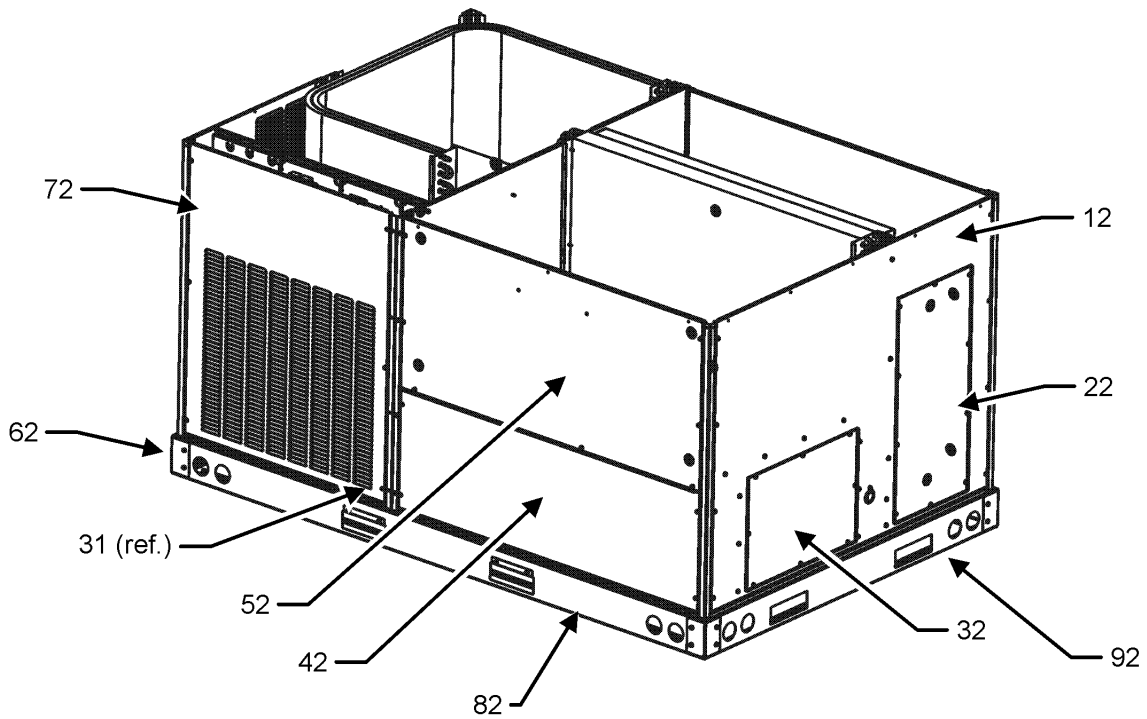


IMAGE 2



# Cabinet Assembly

Ref. Part No:	Part No:	Description:	Ref. Part No:	Part No:	Description:
---------------	----------	--------------	---------------	----------	--------------

**Image 1:**

11	0270L00362NG	FILTER DOOR
21	0121L00976NG	ECONOMIZER DOOR (M1, M2, M4, M5, M6, M7, M8)
31	0121L00233RFNG	POST-SIDE SUPPORT (QTY 2)
41	0121L00237RFNG	CORNER POST (QTY 4)
41	0121L02553RFNG	PNT, CORNER POST (M3, M6)
51	0121L00263NG	LOUVERED COMPRESSOR PANEL (M1, M2, M3, M4, M5)
51	0121L00836NG	LOUVERED COMPRESSOR PANEL (M6, M7, M8)
61	0121L01374RFNG	PNT, RL FMD SIDE POST SUPPORT (M3, M6)
61	0121L01159RFNG	RF, SIDE POST 3-5 TON (M1, M2, M4, M5, M7, M8)
NS	0121L01309	ECONOMIZER COVER (M3)
NS	0121L02655	END RAIL
NS	0164L00009	GASKET-RUBBER, CPOST (QTY 3)
NS	0164L00011	GASKET-RUBBER, SIDE POST (QTY 2)

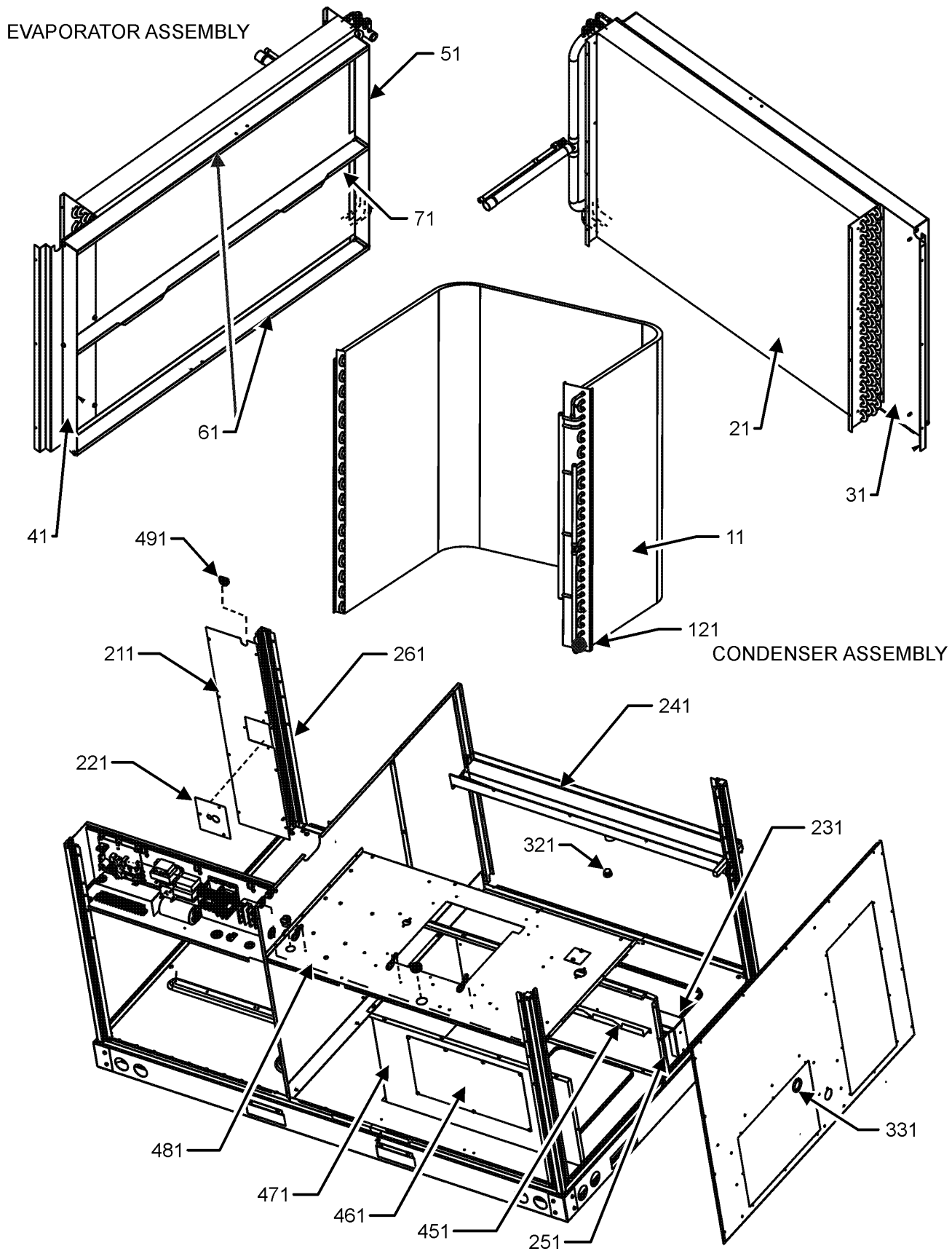
**Image 2:**

12	0121L00236NG	DUCT PANEL
22	0121L00023NG	RETURN DUCT COVER
32	0121L00024NG	SUPPLY DUCT COVER
42	0121L01176NG	ELECTRIC HEAT DOOR
52	0121L01157NG	BLOWER DOOR
62	0121G00301	RAIL CORNER BRACKET (QTY 4)
72	0121L01121NG	LOUVERED CONTROL PANEL (M1, M2, M4, M5, M7, M8)
72	0121L02551NG	PNT, CONTROL DOOR (M3, M6)
82	0121L00244RF	SIDE RAIL (QTY 2)
92	0121L00245	END RAIL

**Expanded Model Nomenclature**

M1 - DTH036XXX1DXXAAA
M2 - DTH036XXX1DXXXAA
M3 - DTH036XXX3DFDXAA
M4 - DTH036XXX3DXXAAA
M5 - DTH036XXX3DXXXAA
M6 - DTH0360103DHPAA
M7 - DTH0360103DHXJAA
M8 - DTH0360103DHXXAA

# Partition, Condenser & Evaporator Assy



# Partition, Condenser & Evaporator Assy

Ref. Part No:	Part No:	Description:	Ref. Part No:	Part No:	Description:
<b>Image 1:</b>					
11	0201L00277	TUBING ASSY, COND COIL (M1, M2)			
11	0201L00285	TUBING ASSY, COND COIL (M3, M4, M5, M6, M7, M8)			
21	0202L00141	EVAPORATOR COIL TUBING ASSY (M1, M2)			
21	0202L00148	EVAPORATOR COIL TUBING ASSY (M3, M4, M5, M6, M7, M8)			
31	0121L00252	EVAPORATOR BLOCKOFF			
41	0121L00303	FILTER ANGLE-VERTICAL (HAIRPIN SIDE)			
51	0121L00287	FILTER ANGLE-VERTICAL (RETURN SIDE)			
61	0121L00932	FILTER ANGLE-HORIZONTAL (QTY 2)			
71	0121L01255	ANGLE-FILTER CENTER			
121	0130M00100	DEFROST CONTROL			
211	0121L00311	COND BLOCK-OFF			
221	0121L00939	CONDENSER BLOCKOFF PLATE			
231	0121L00238	DRAIN PAN SUPPORT			
241	0161L00005	DRAIN PAN			
251	0121L02123	DECK SIDE CHANNEL			
261	0121L00254	COND MOUNTING ANGLE			
321	0163L00071	DRAIN PLUG			
331	0154L00009	DRAIN PAN GASKET			
451	0121L00288	ELECTRIC HEAT RETAINER			
461	0121L00144	ELECTRIC HEAT COVER			
471	0121L00256	ELECTRIC HEAT PANEL			
481	0121L03396	DECK-BLOWER			
491	A4568804	GROMMET-D (QTY 4)			
NS	0160L00173	AIR FILTER 14 X20 X2 (QTY 4)			
NS	0121L01377	BLOWER DECK SUPPORT (M3, M6)			
NS	0121L00321	SMOKE DETECTOR COVER			

## Expanded Model Nomenclature

- |                       |
|-----------------------|
| M1 - DTH036XXX1DXXAAA |
| M2 - DTH036XXX1DXXXAA |
| M3 - DTH036XXX3DFDXAA |
| M4 - DTH036XXX3DXXAAA |
| M5 - DTH036XXX3DXXXAA |
| M6 - DTH0360103DHDPAA |
| M7 - DTH0360103DHXJAA |
| M8 - DTH0360103DHXXAA |



# Blower and Control Board Assembly

Ref. Part No:	Part No:	Description:	Ref. Part No:	Part No:	Description:
---------------	----------	--------------	---------------	----------	--------------

**Image 1:**

11	M0250565	TC SCREW 1.25" (QTY 3)
21	11185817	BLOWER HOUSING
31	B1376853	MOUNT ARM, MOTOR, A36-42 (QTY 3)
41	0121M00038	MOUNT BAND, MOTOR
51	B1393323	SCREW, MACH HWH 1/4-20X1 1/2 BZ
61	C6121806	BLOWER CUT-OFF
71	0131M00817	MOTOR, 1/2HP PROGRAMMED SELEC
81	0121L00308	BLOWER MOUNTING ANGLE
91	D6723303	BLOWER WHEEL
101	B1392918	WASHER, FLAT 1/4 ID X 1 OD (QTY 3)
111	B1393800	LOCKNUT, NYLON, INSERT 1/420

**Image 2:**

12	PCBDM133	PCB, DEFROST CONTROL
22	0130M00138	TRANSFORMER, 208/230, 24V
32	CONT3P025024V	CONTACTOR 25 AMP, 3P, 24V (M3, M4, M5, M6, M7, M8)
32	CONT2P040024V	CONTACTOR 40 AMP, 2P, 24V (M1, M2)
42	CAP050000370LA	CAPACITOR 5/370V (M3, M4, M5, M6, M7, M8)
42	CAP050450440CT	CAPACITOR 5/45/440V/DUAL RD (M1, M2)
52	0130M00038	TERMINAL BOARD
62	0130M00025	RELAY, SPDT (M6)
NS	0259L00178	HARNESS, ECONOMIZER
NS	0259L00178	HARNESS, ECONOMIZER
NS	0130M00127	MOTOR POWER HARNESS
NS	20520901	STRAP-CAPACITOR
NS	0259L00058	WIRE HARNESS
NS	0259L00070	WIRE HARNESS
NS	0259L00073	WIRE HARNESS
NS	0259L00121	WIRE HARNESS
NS	0259L00121	WIRE HARNESS
NS	0259L00073	WIRING HARNESS
NS	0130M00126	X-13 LOW VOLTAGE WIRE HARNESS

**Expanded Model Nomenclature**

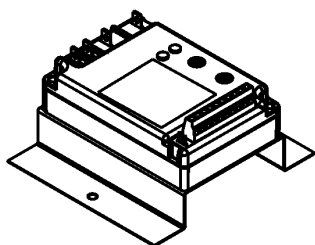
M1 - DTH036XXX1DXXAAA
M2 - DTH036XXX1DXXXAA
M3 - DTH036XXX3DFDXAA
M4 - DTH036XXX3DXXAAA
M5 - DTH036XXX3DXXXAA
M6 - DTH0360103DHDPAA
M7 - DTH0360103DHXJAA
M8 - DTH0360103DHXXAA

# Accessory List

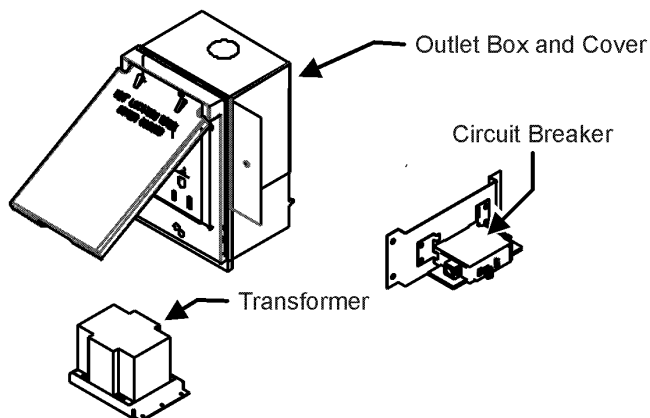
## ACCESSORY PARTS LIST

NOTE: NOT ALL OPTIONS AVAILABLE FOR ALL PRODUCTS

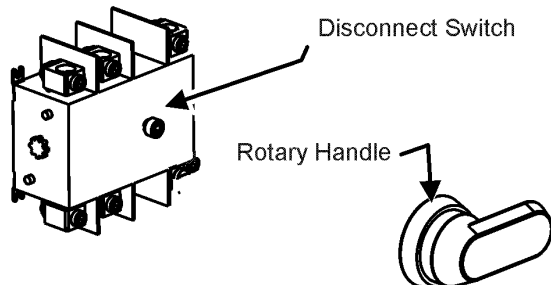
### 1 LOW AMBIENT KITS



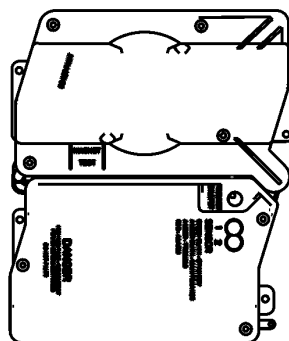
### 2 GFCI CONVENIENCE OUTLET



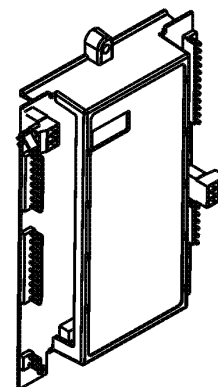
### 3 DISCONNECT MODULE (NON-FUSED)



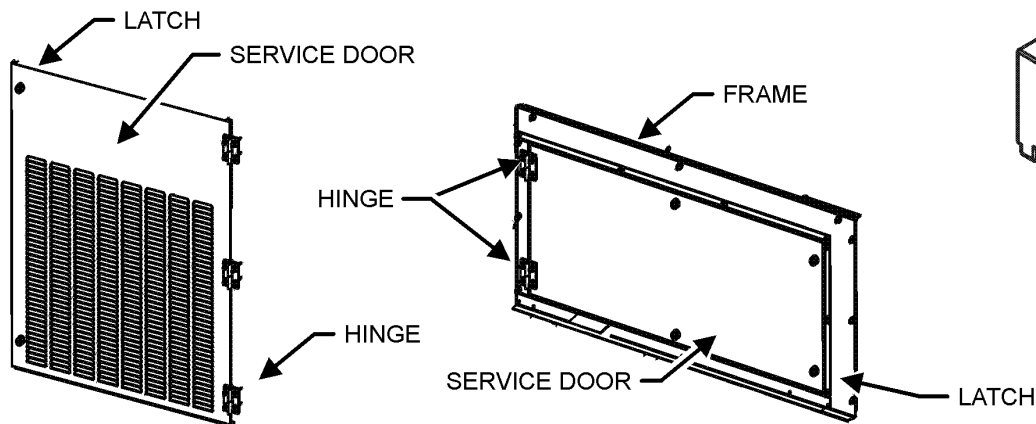
### 4 SMOKE DETECTORS



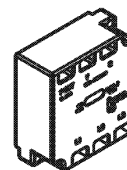
### 5 DDC CONTROL



### 6 HINGED DOOR ASSEMBLIES



### 7 PHASE MONITOR



# Accessory List

Ref. Part No:	Ref. Part No:	Description:	Description:
<b>Image 2:</b>			
NS EHK3-10		10 KW 203-230/3 ELECTRIC EHAT (M6, M7, M8)	
NS 10366D09C		3-6 TON DFLOW ECONOMIZER, DDC (M3)	
NS 0121L01934		BRACKET SMOKE DETECTOR (M6)	
NS 0121L00316		BRACKET-CONV OUTLET MOUNT (M1, M4, M6,	
NS 0121L00835		BRACKET-DISCONNECT SWITCH (M6, M7, M8)	
NS 0130M00065		CIRCUIT BREAKER, CONVENIENCE OUTLET (M6)	
NS 0259L00368		CURRENT SWITCH WITH TERMS (M3)	
NS 0121L00837NG		DISCONNECT COVER (M6, M7, M8)	
NS 0130L00112		Duct Temp Sensor (M3)	
NS 0130L00012		GANG BOX-GFCI OUTLET (M1, M4, M6, M7)	
NS 0130L00039		HANDLE, ROTARY (M6, M7, M8)	
NS 0163M00307		HINGE, LEFT HAND (M3, M6)	
NS 0163M00308		HINGE, RIGHT HAND (M3, M6)	
NS 0163M00360		LATCH (M3, M6)	
NS 0130L00108		OD Air Temp Sensor (M3)	
NS PCBCG103		PCB, CONTROL, HP, GAS ,AC (M3)	
NS 0121L02527NG		PNT, BLOWER DOOR BACK (M3, M6)	
NS 0121L02526NG		PNT, BLOWER DOOR FRONT (M3, M6)	
NS 0121L02509NG		PNT, BLOWER FRAME (M3, M6)	
NS 0121L02507NG		PNT, FILLER PLATE (M3, M6)	
NS 0161G00012		POWER OUTLET BOX (M1, M4, M6, M7)	
NS 0130L00103		RECEPTACLE-GFCI OUTLET (M1, M4, M6, M7)	
NS 0130L00107		ROOM SENSOR (M3)	
NS 0130L00042		SHAFT, CUT (M6, M7, M8)	
NS 0130L00049		SHAFT, DISCONNECT (M6, M7, M8)	
NS D4120		SMOKE DETECTOR, PHOTO 4WIRE (M6, M7)	
NS D4S		SMOKE DETECTOR, SENSOR ONLY (M7)	
NS 0130L00046		SWITCH-DISCONNECT 60A (M6, M7, M8)	
NS 802007090		TERM BOARD (M3)	
NS 0130M00274		TERMINAL BOARD (M3)	
NS 0130M00275		TERMINAL BOARD (M3)	
NS 0130M00061		TRANSFORMER, CONVENIENCE OUTLET (M6)	

## Expanded Model Nomenclature

- M1 - DTH036XXX1DXXAAA
- M2 - DTH036XXX1DXXXAA
- M3 - DTH036XXX3DFDXAA
- M4 - DTH036XXX3DXXAAA
- M5 - DTH036XXX3DXXXAA
- M6 - DTH0360103DHDPAA
- M7 - DTH0360103DHXJAA
- M8 - DTH0360103DHXXAA